

US00D772162S

(12) **United States Design Patent** (10) **Patent No.:** **US D772,162 S**  
**Saarivirta et al.** (45) **Date of Patent:** **\*\* Nov. 22, 2016**

(54) **DEVICE FOR DISTRIBUTION OF ELECTRIC POWER**

(71) Applicant: **ABB Technology OY**, Helsinki (FI)

(72) Inventors: **Matti Saarivirta**, Pori (FI); **Mika Valli**, Pori (FI); **Sakari Lilja**, Masala (FI); **Juha Kauko**, Helsinki (FI)

(73) Assignee: **ABB Technology Oy**, Helsinki (FI)

(\*\*) Term: **15 Years**

(21) Appl. No.: **29/556,062**

(22) Filed: **Feb. 26, 2016**

(30) **Foreign Application Priority Data**

Aug. 26, 2015 (EM) ..... 002760884

(51) **LOC (10) Cl.** ..... **13-02**

(52) **U.S. Cl.**  
USPC ..... **D13/110**

(58) **Field of Classification Search**

USPC ..... D13/110, 101, 123, 162, 164, 184, 199;  
307/150-152; 361/600, 601, 622, 702,  
361/703, 730, 796, 809; 363/141, 142;  
D15/149

CPC ..... H02M 7/00; H02M 7/02; H02M 7/003;  
H05K 5/00; H05K 5/0017; H05K 5/04;  
H05K 7/20; H05K 7/20136; H05K 7/20209;  
H05K 7/20418; G06F 1/20

See application file for complete search history.

(56) **References Cited**

**U.S. PATENT DOCUMENTS**

4,620,263 A \* 10/1986 Ito ..... H05K 7/20918  
361/690  
D343,382 S \* 1/1994 Hagura ..... D13/110

5,497,289 A \* 3/1996 Sugishima ..... H02M 7/003  
318/558  
D379,963 S \* 6/1997 Ikeda ..... D13/110  
D380,193 S \* 6/1997 Yamaguchi ..... D13/110  
6,239,986 B1 \* 5/2001 Otsuka ..... H05K 7/1427  
361/728  
D455,399 S \* 4/2002 Imamura ..... D13/110  
D561,095 S \* 2/2008 Sakai ..... D13/110  
D562,234 S \* 2/2008 Morihara ..... D13/110  
D569,795 S \* 5/2008 Higuchi ..... D13/110  
D647,845 S \* 11/2011 Engblom ..... D13/113  
D698,725 S \* 2/2014 Shin ..... D13/110  
D705,728 S \* 5/2014 Choi ..... D13/110

\* cited by examiner

*Primary Examiner* — Derrick Holland

(74) *Attorney, Agent, or Firm* — Taft Stettinius & Hollister LLP

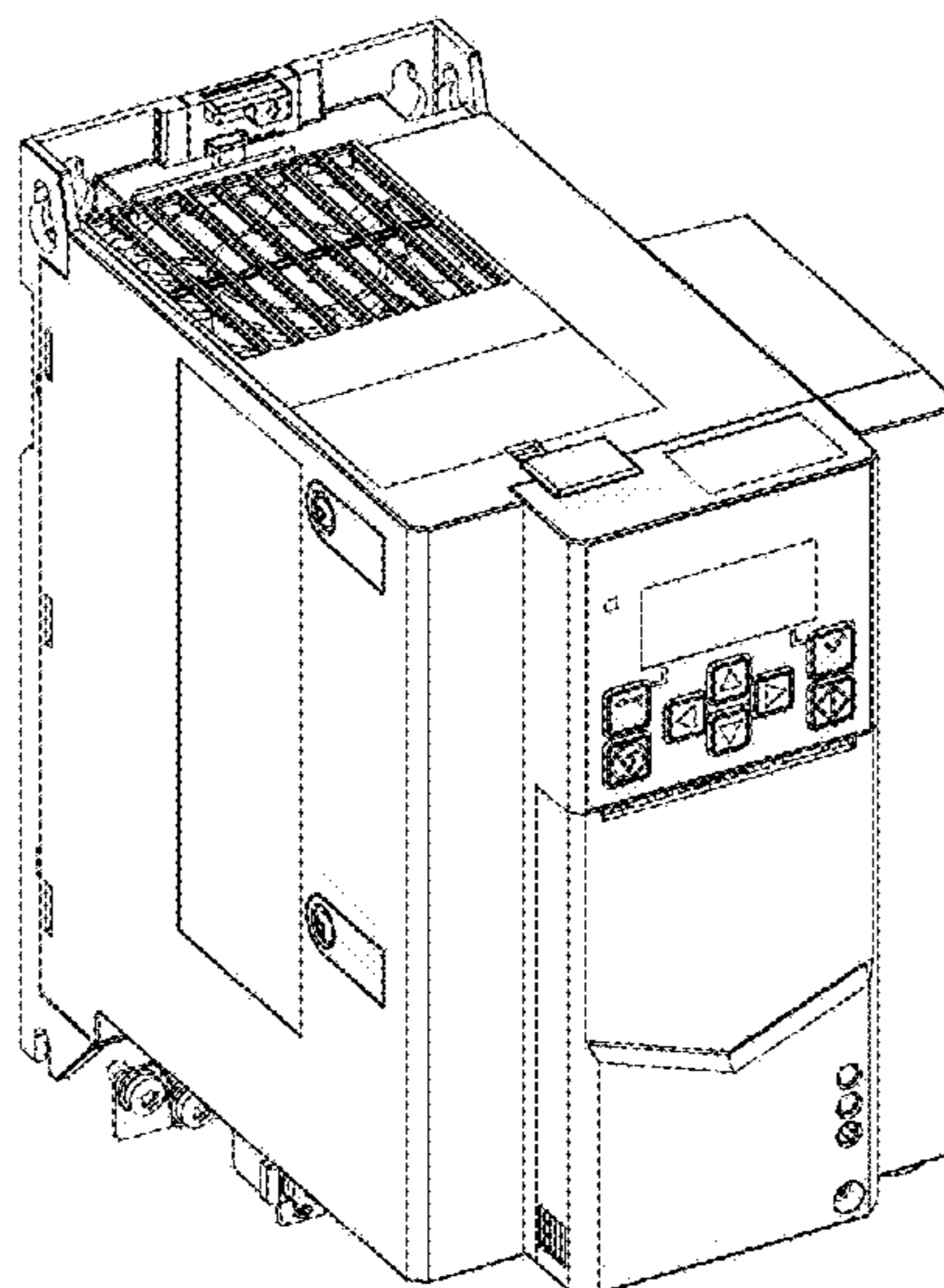
(57) **CLAIM**

The ornamental design for a device for distribution of electric power, as shown and described.

**DESCRIPTION**

FIG. 1 is a front perspective view of a device for distribution of electric power showing our new design;  
 FIG. 2 is a front elevation view thereof;  
 FIG. 3 is a back elevation view thereof;  
 FIG. 4 is a top plan view thereof;  
 FIG. 5 is a bottom plan view thereof;  
 FIG. 6 is a right side elevation view thereof;  
 FIG. 7 is a left side elevation view thereof; and,  
 FIG. 8 is a back perspective view thereof.

**1 Claim, 8 Drawing Sheets**



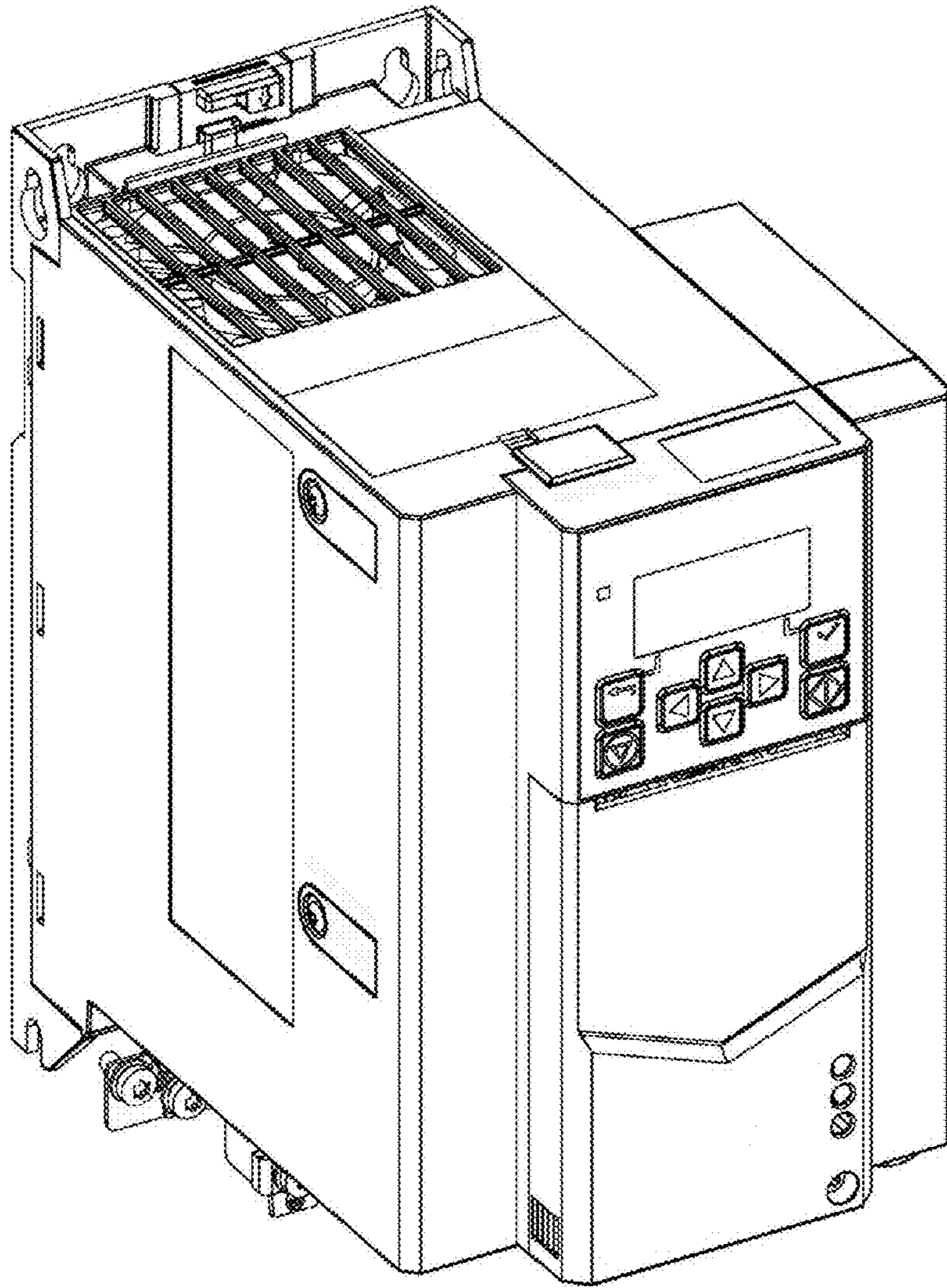


FIGURE 1

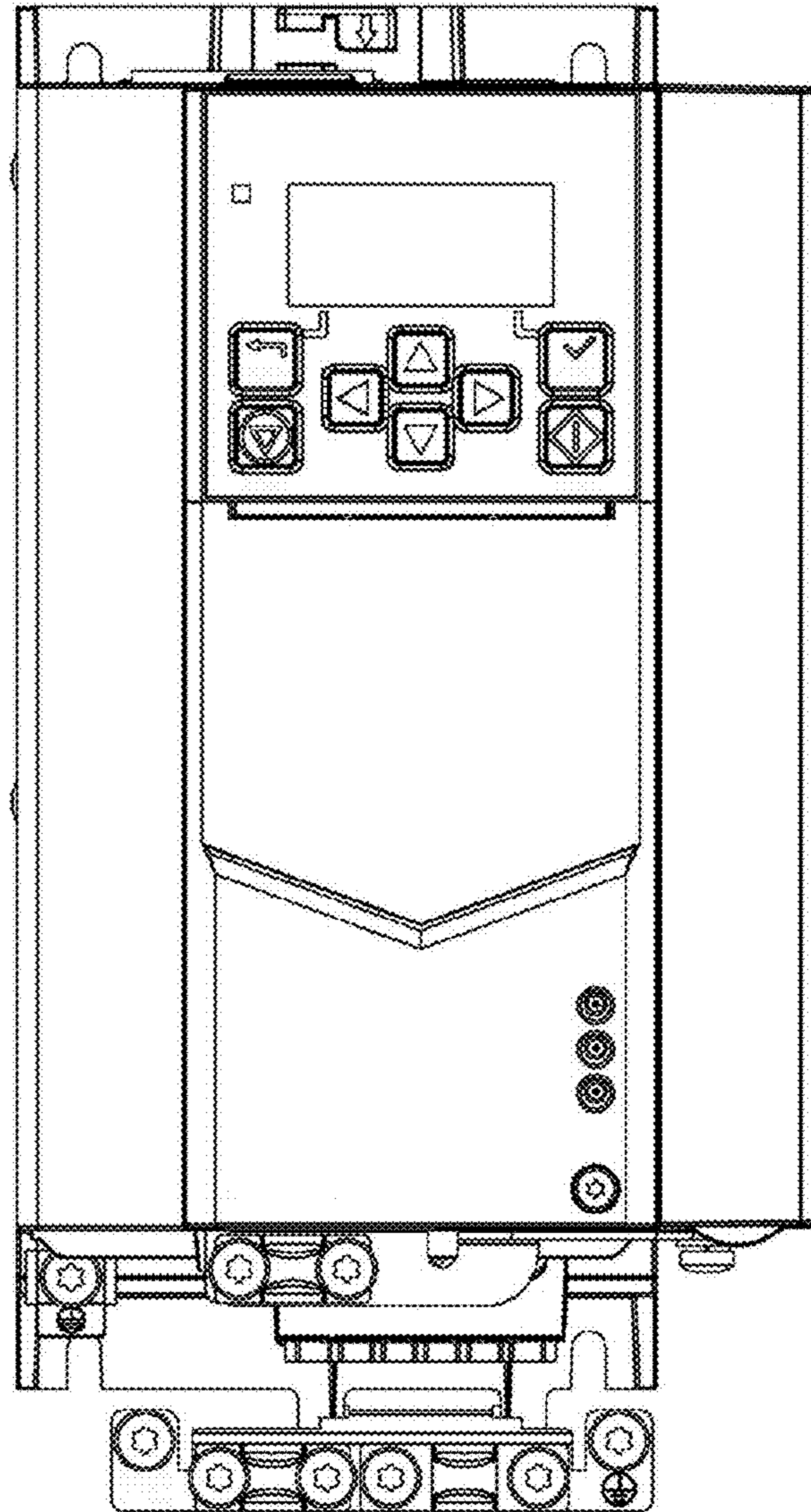


FIGURE 2

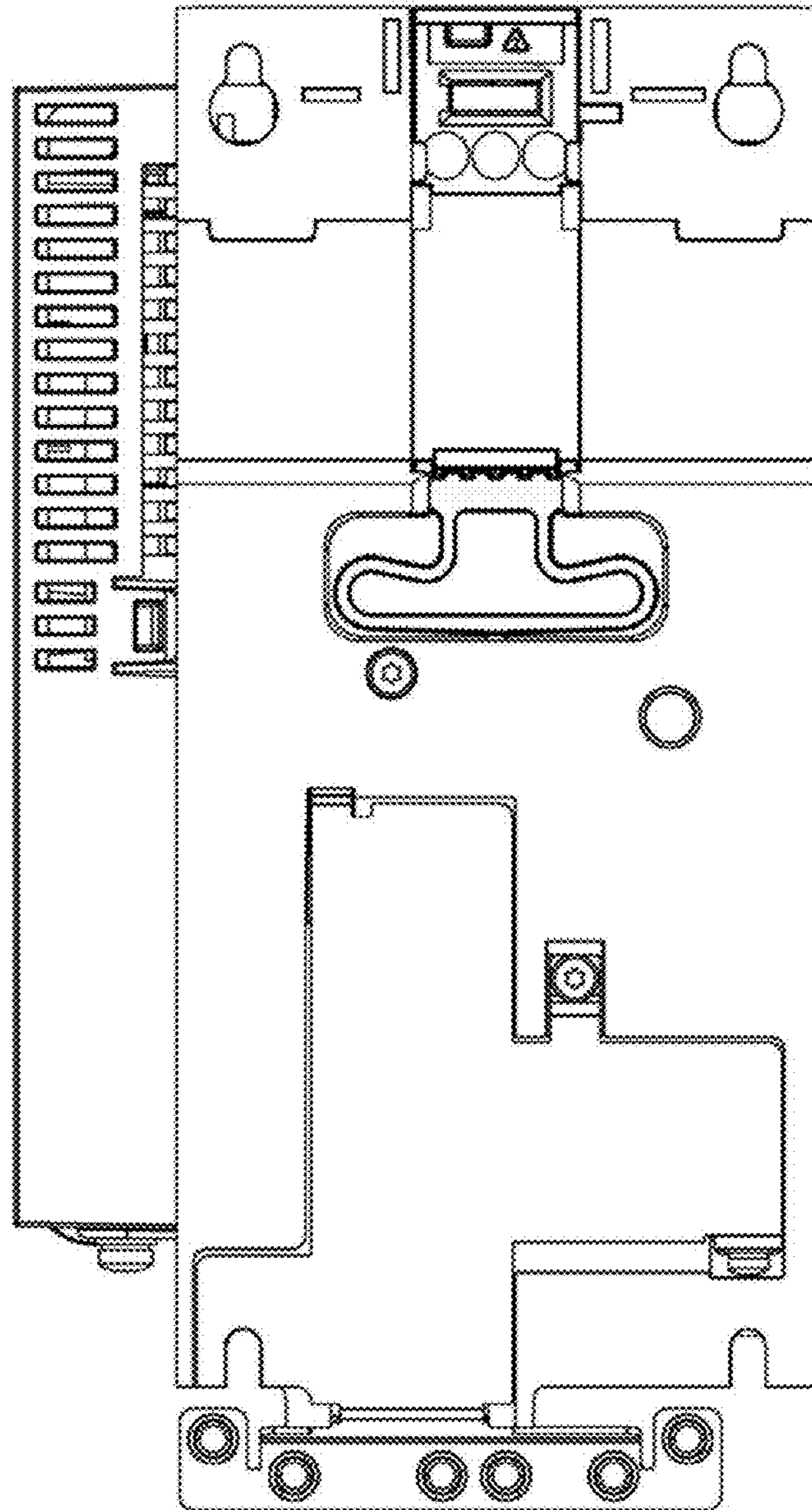


FIGURE 3

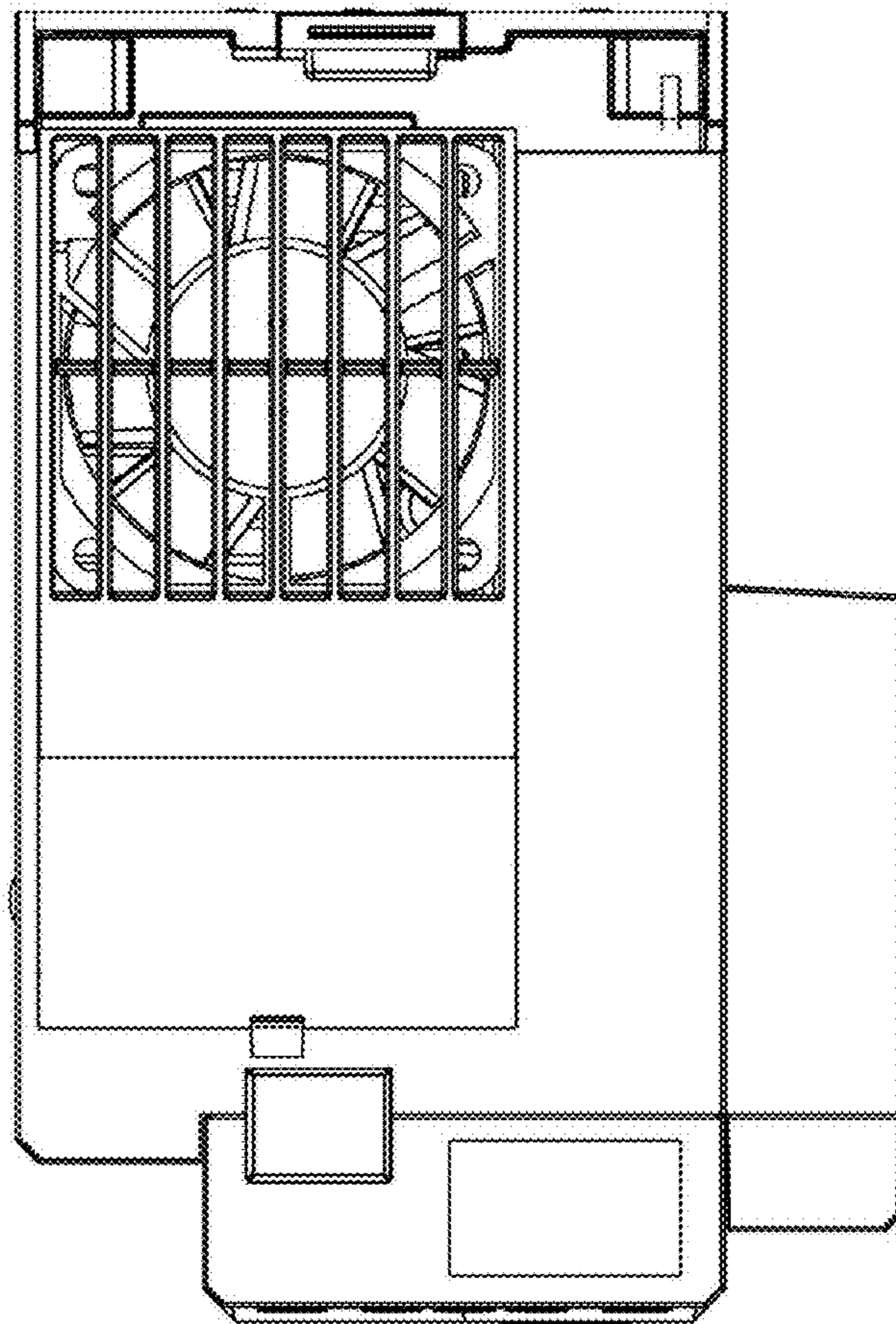


FIGURE 4

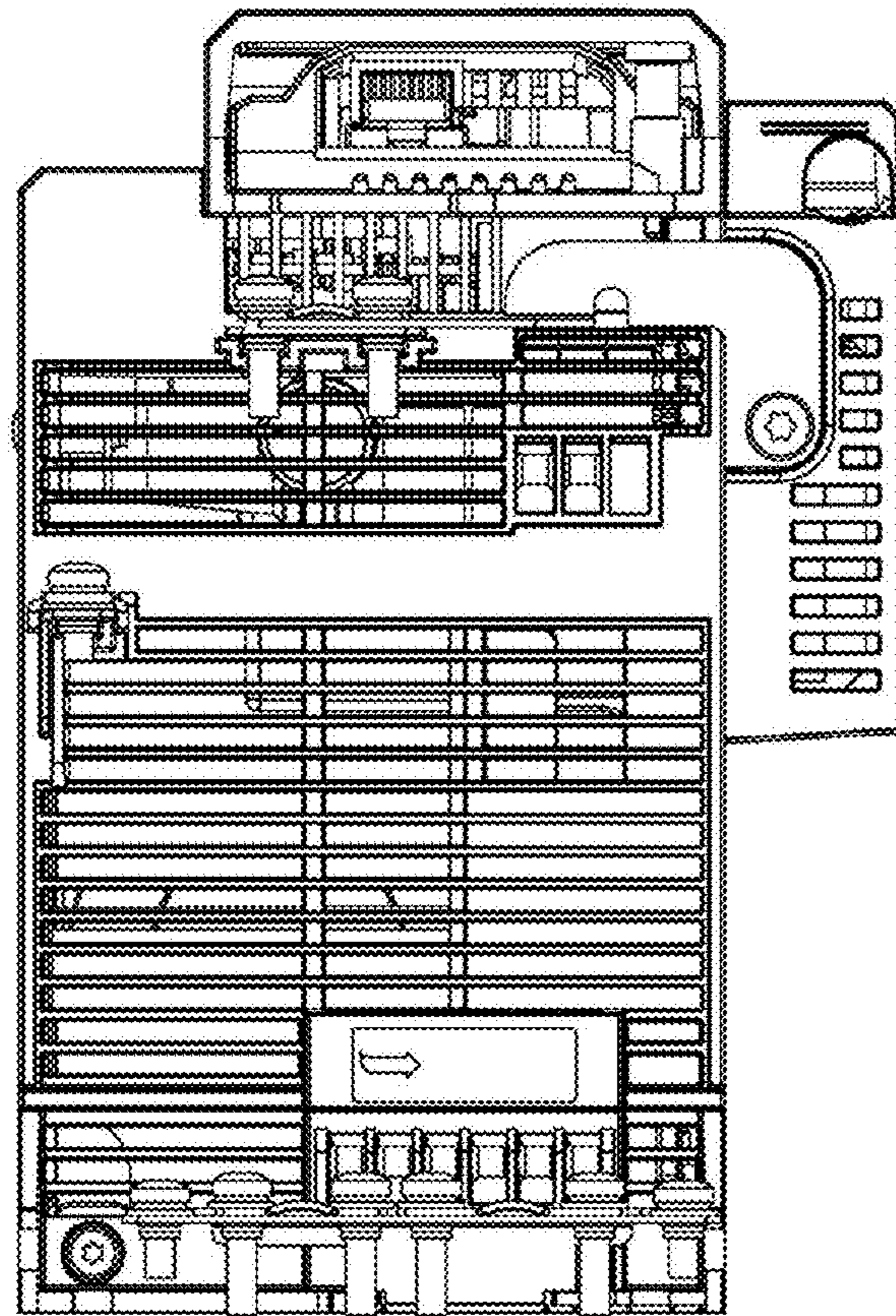


FIGURE 5

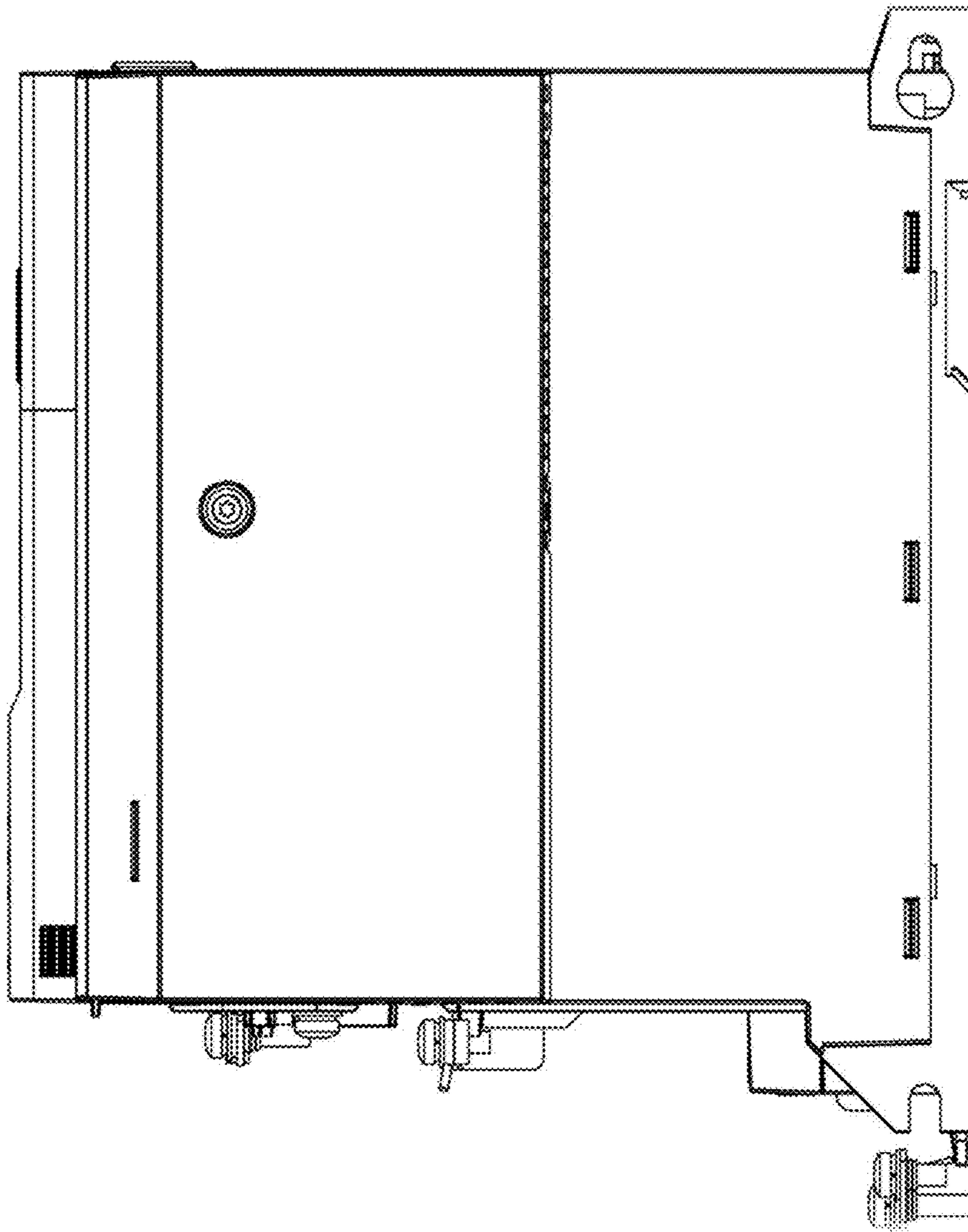


FIGURE 6

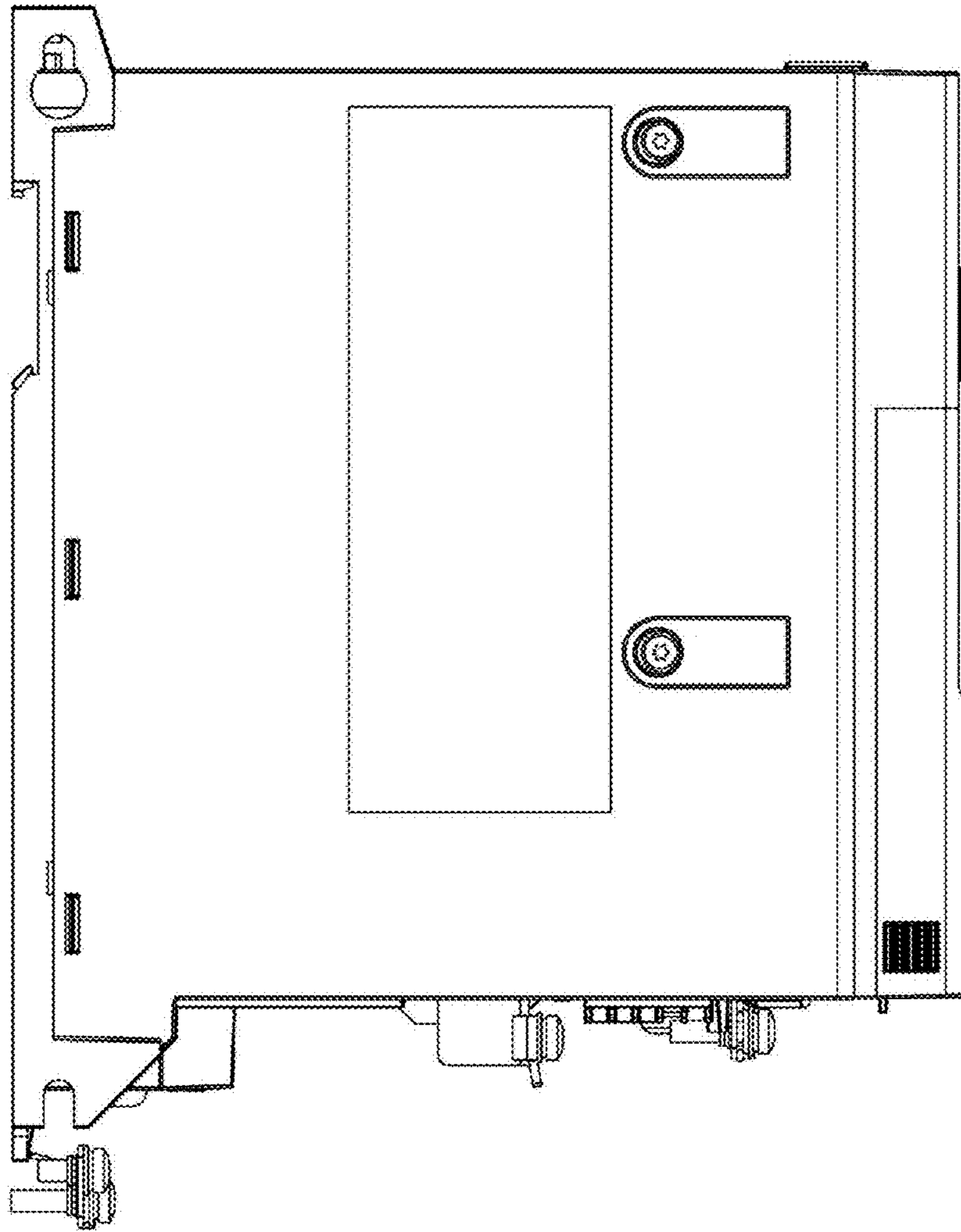


FIGURE 7



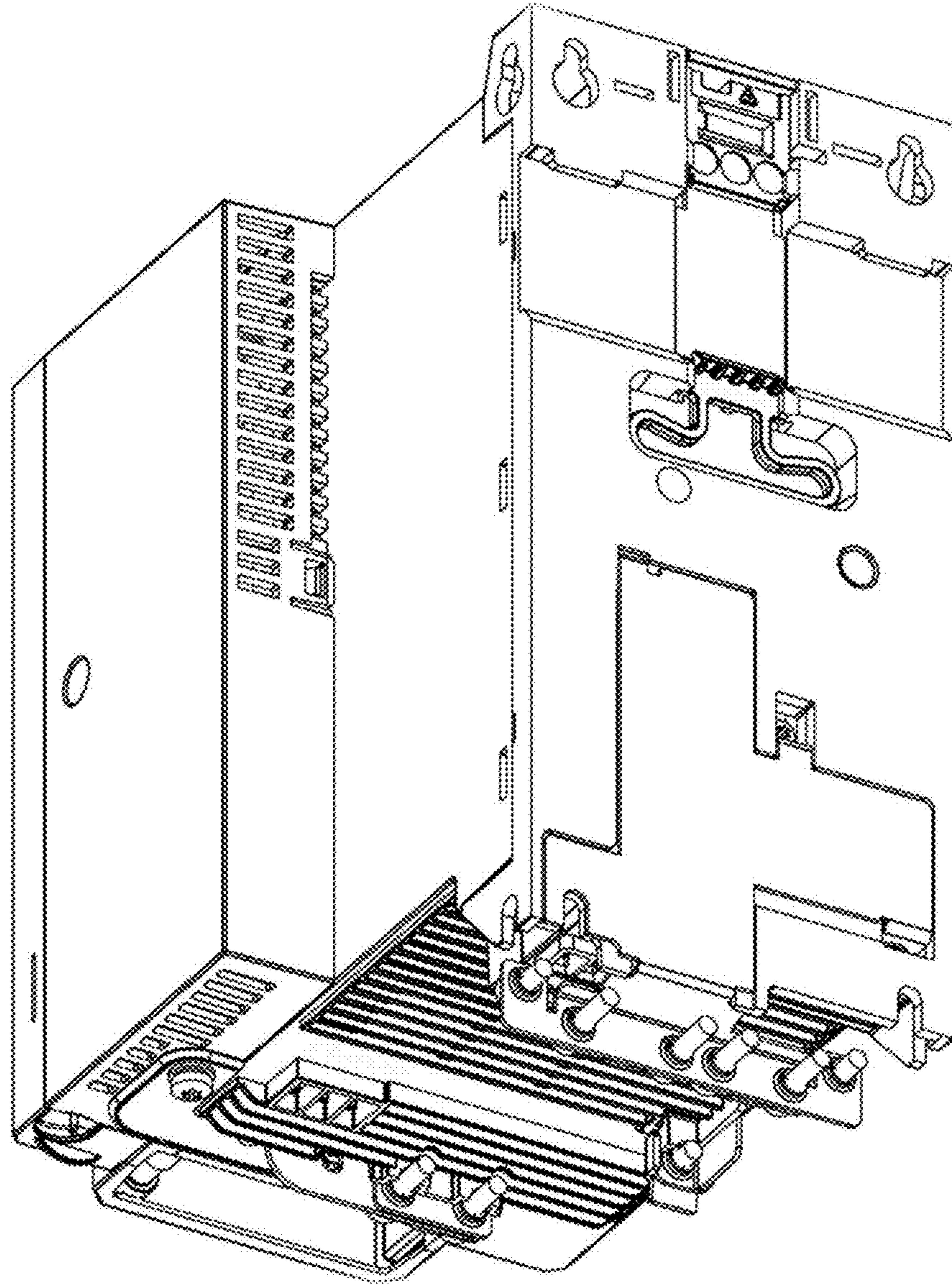


FIGURE 8