



US00D772160S

(12) **United States Design Patent** (10) **Patent No.:** **US D772,160 S**
Roberts et al. (45) **Date of Patent:** **** Nov. 22, 2016**

(54) **POWER ADAPTER**

(71) Applicant: **Google Inc.**, Mountain View, CA (US)

(72) Inventors: **Rachael Elizabeth Roberts**, San Francisco, CA (US); **Bernardo Núñez Rojas**, San Francisco, CA (US); **Phan Thao Benno Dang**, San Francisco, CA (US)

(73) Assignee: **Google Inc.**, Mountain View, CA (US)

(**) Term: **14 Years**

(21) Appl. No.: **29/501,588**

(22) Filed: **Sep. 5, 2014**

(51) **LOC (10) Cl.** **13-02**

(52) **U.S. Cl.**
USPC **D13/110**

(58) **Field of Classification Search**

USPC D13/110, 103, 107, 108, 118, 119,
D13/138.1, 138.2, 139.1, 139.2, 184, 199;
320/111; D14/253, 432, 433, 434;
439/131, 172; D9/432, 526; D28/83
CPC H01R 25/00; H01R 31/06; H02J 7/0062
See application file for complete search history.

(56) **References Cited**

U.S. PATENT DOCUMENTS

1,511,855 A * 10/1924 Wentz H01R 31/02
439/652
D110,333 S * 7/1938 Aizic D9/526

(Continued)

Primary Examiner — Derrick Holland

Assistant Examiner — Jennifer O King

(74) *Attorney, Agent, or Firm* — Lerner, David,
Littenberg, Krumholz & Mentlik, LLP

(57) **CLAIM**

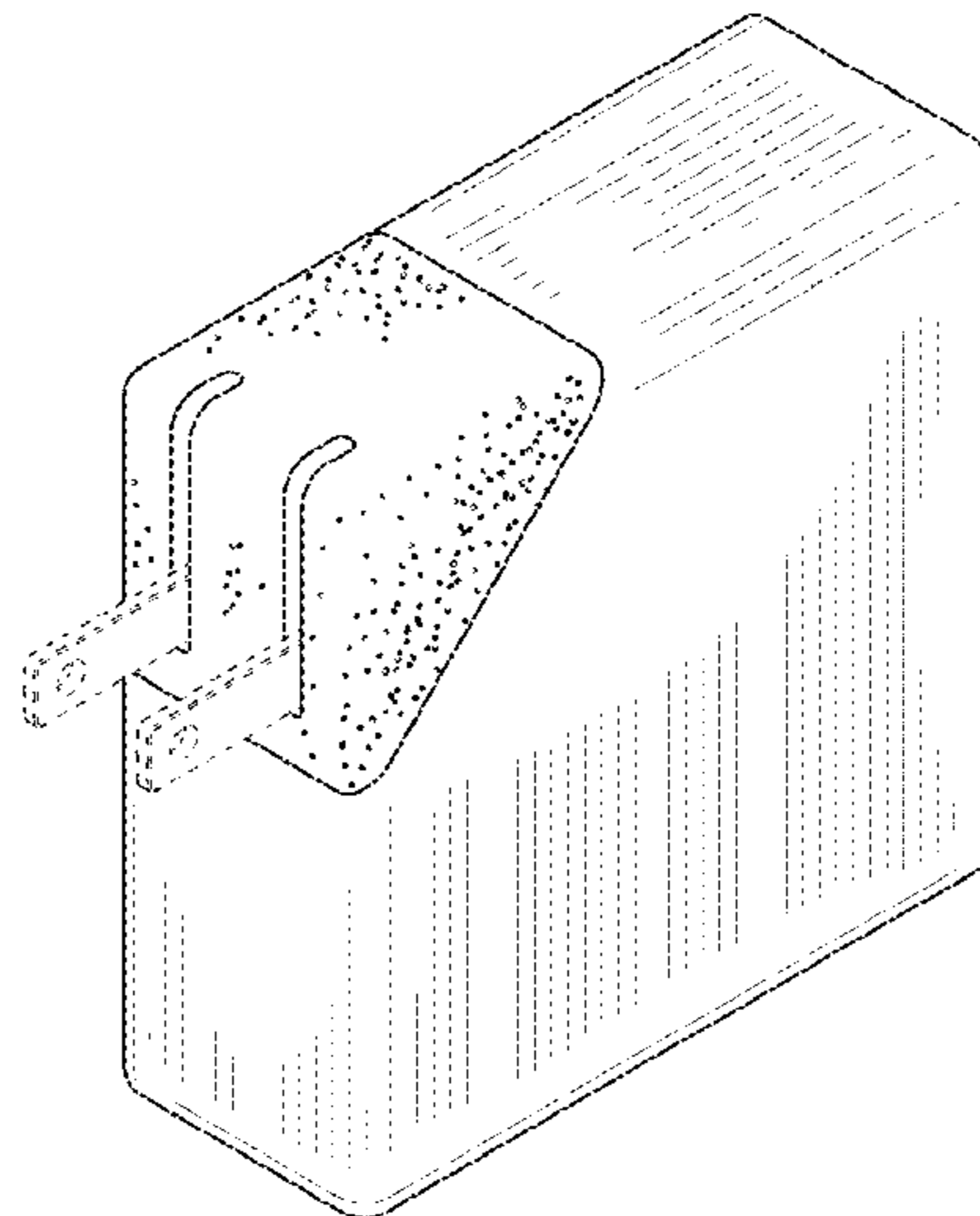
The ornamental design for a power adapter, as shown and described.

DESCRIPTION

FIG. 1 is a front perspective view of a power adapter according to a first embodiment of our design;
FIG. 2 is a front elevation view thereof;
FIG. 3 is a rear elevation view thereof;
FIG. 4 is a left side elevation view thereof;
FIG. 5 is a right side elevation view thereof;
FIG. 6 is a top view thereof;
FIG. 7 is a bottom view thereof;
FIG. 8 is a side perspective view thereof shown in use;
FIG. 9 is a front perspective view of a power adapter according to a second embodiment of our design;
FIG. 10 is a front elevation view thereof;
FIG. 11 is a rear elevation view thereof;
FIG. 12 is a left side elevation view thereof;
FIG. 13 is a right side elevation view thereof;
FIG. 14 is a top view thereof;
FIG. 15 is a bottom view thereof;
FIG. 16 is a side perspective view thereof shown in use;
FIG. 17 is a front perspective view of a power adapter according to a third embodiment of our design;
FIG. 18 is a front elevation view thereof;
FIG. 19 is a rear elevation view thereof;
FIG. 20 is a left side elevation view thereof;
FIG. 21 is a right side elevation view thereof;
FIG. 22 is a top view thereof;
FIG. 23 is a bottom view thereof;
FIG. 24 is a front perspective view of a power adapter according to a fourth embodiment of our design;
FIG. 25 is a front elevation view thereof;
FIG. 26 is a rear elevation view thereof;
FIG. 27 is a left side elevation view thereof;
FIG. 28 is a right side elevation view thereof;
FIG. 29 is a top view thereof; and,
FIG. 30 is a bottom view thereof.

The broken lines shown represent unclaimed subject matter and form no part of the claimed design.

1 Claim, 16 Drawing Sheets



(56)

References Cited

U.S. PATENT DOCUMENTS

D276,225 S * 11/1984 Powel D13/137.2
 D278,032 S * 3/1985 de Mourgues D9/435
 D292,700 S * 11/1987 Rauch D13/137.1
 D308,962 S 7/1990 Duk
 D324,685 S * 3/1992 Strohbeen D14/210
 D375,291 S * 11/1996 Cheung D13/138.2
 D408,786 S 4/1999 Goto
 D436,345 S * 1/2001 Lentine D13/137.2
 D478,310 S 8/2003 Andre et al.
 D478,546 S * 8/2003 Andre D13/110
 D484,853 S 1/2004 Alviar
 D512,963 S * 12/2005 Lee D13/137.2
 D517,985 S * 3/2006 Hirabayashi D13/110
 D519,922 S * 5/2006 Andre D13/110
 D548,187 S * 8/2007 Holland D13/138.1
 D559,783 S * 1/2008 Matzdorff D13/137.2
 7,422,437 B1 9/2008 Lin et al.
 7,435,091 B1 * 10/2008 Cruz H01R 31/06
 439/18
 D586,221 S * 2/2009 Shaikh D9/523
 D588,065 S * 3/2009 Wadsworth D13/137.2
 7,497,707 B2 3/2009 Wu et al.
 D596,571 S * 7/2009 Green D13/137.2
 7,573,159 B1 8/2009 DeIuliis et al.
 7,604,511 B1 * 10/2009 Johnson H01R 13/652
 439/651
 7,658,625 B2 2/2010 Jubelirer et al.
 D620,485 S * 7/2010 Corrigan D14/240

7,926,673 B2 * 4/2011 Nilsson B65D 1/0223
 220/254.3
 7,946,868 B1 * 5/2011 Chen H01R 13/625
 439/173
 D647,476 S 10/2011 Ciou
 D652,380 S 1/2012 Chen et al.
 D660,795 S * 5/2012 Wen D13/110
 8,222,773 B2 7/2012 De Iuliis et al.
 8,232,672 B2 7/2012 De Iuliis et al.
 D676,421 S * 2/2013 Garrett D14/214
 D677,158 S * 3/2013 Delaney D9/449
 8,388,352 B1 3/2013 ChongYu et al.
 8,398,430 B1 3/2013 Queru
 8,408,924 B1 4/2013 Queru
 8,512,056 B2 * 8/2013 Wen H01R 31/065
 439/172
 8,579,641 B1 11/2013 Queru
 8,579,656 B2 * 11/2013 Huang H01R 35/04
 439/171
 8,641,459 B1 2/2014 Matsuoka et al.
 8,674,558 B2 3/2014 De Iuliis et al.
 8,708,722 B1 * 4/2014 Walliser H01R 13/6675
 439/172
 D704,632 S * 5/2014 On D13/108
 D706,220 S * 6/2014 Zaslavsky D13/137.2
 D711,237 S * 8/2014 Fleischhacker D9/526
 D714,249 S * 9/2014 Carney D14/140
 D716,225 S * 10/2014 Akana D13/110
 D734,895 S * 7/2015 Liu D28/83
 D735,130 S * 7/2015 Huang D13/108

* cited by examiner

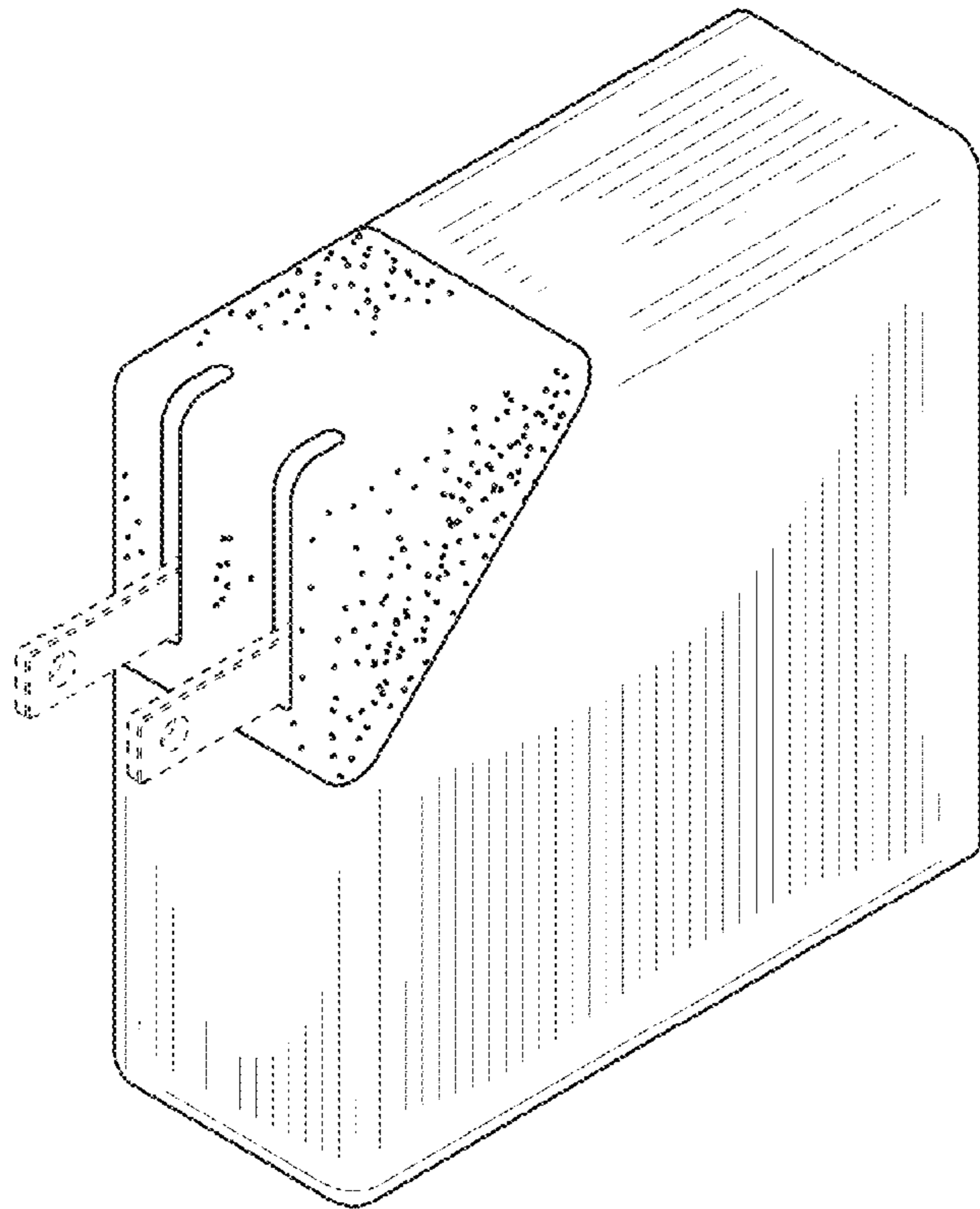


FIG. 1

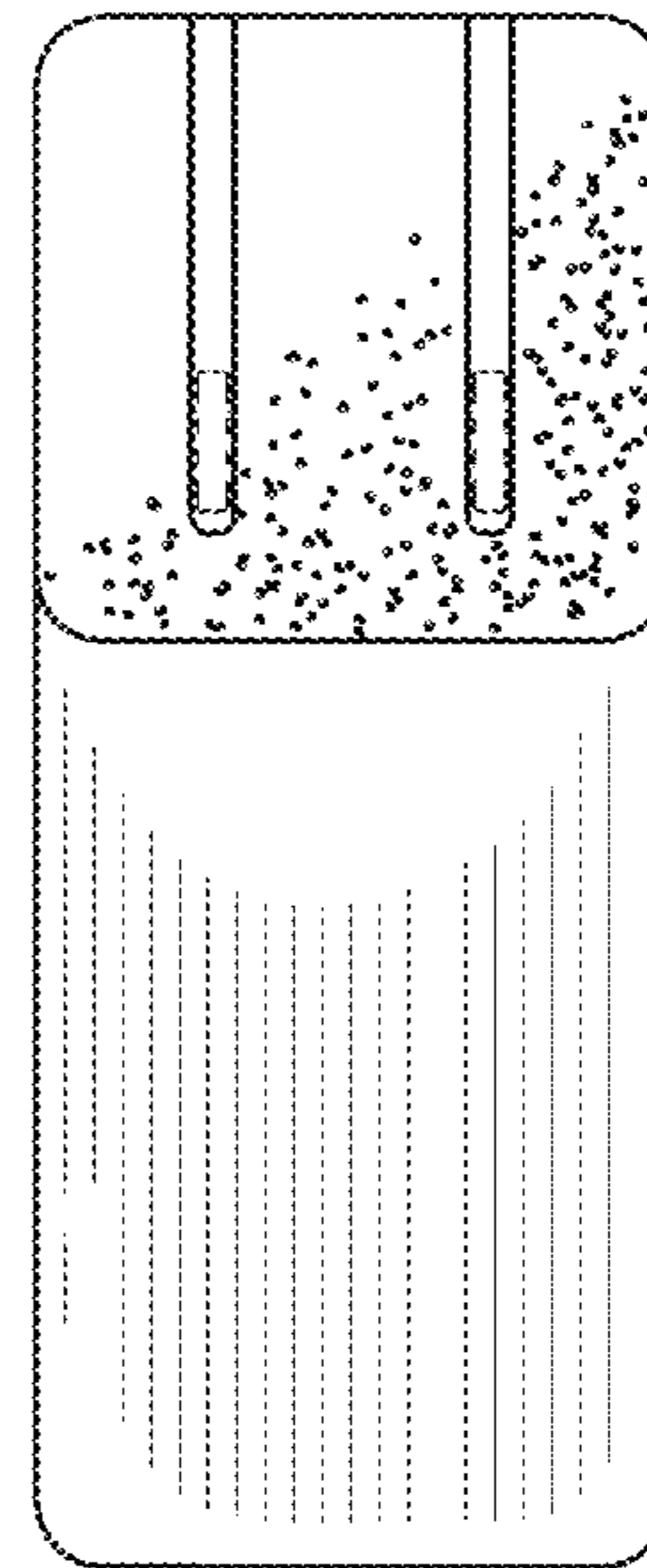


FIG. 2

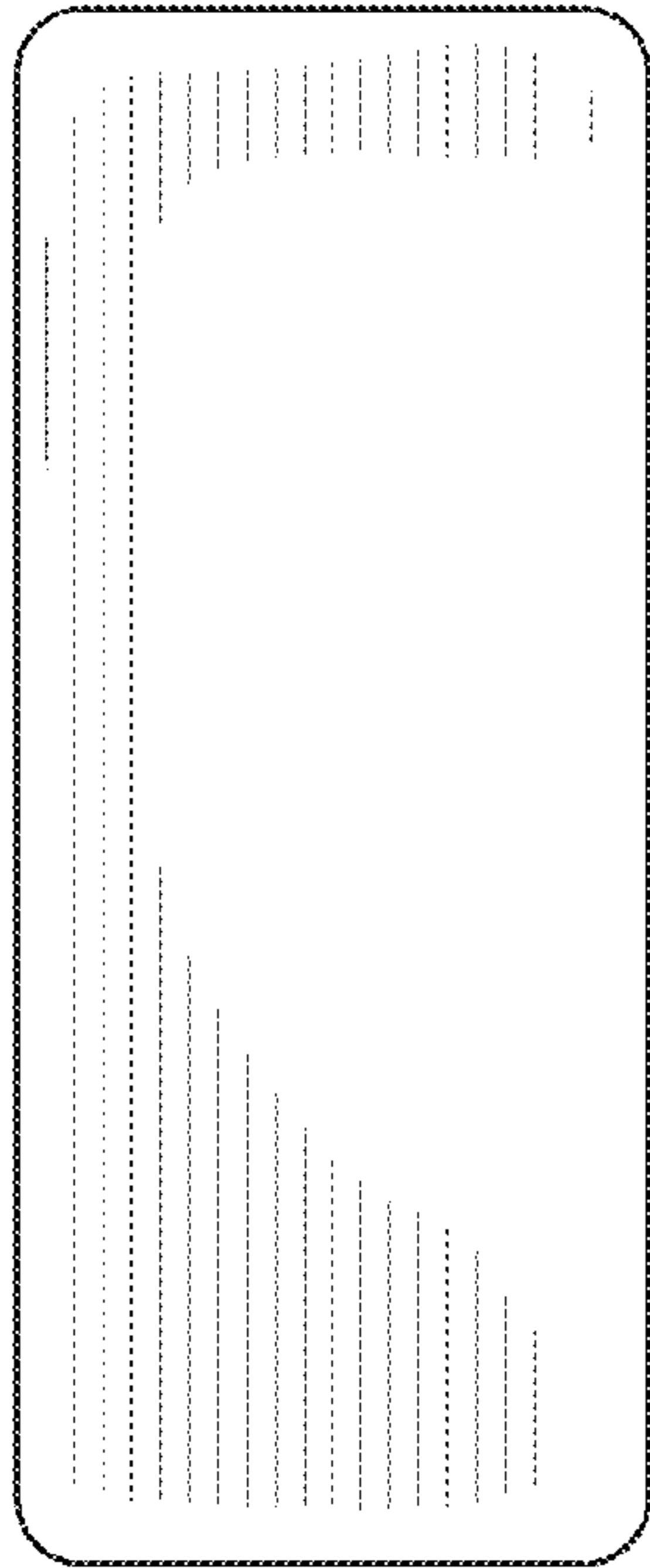


FIG. 3

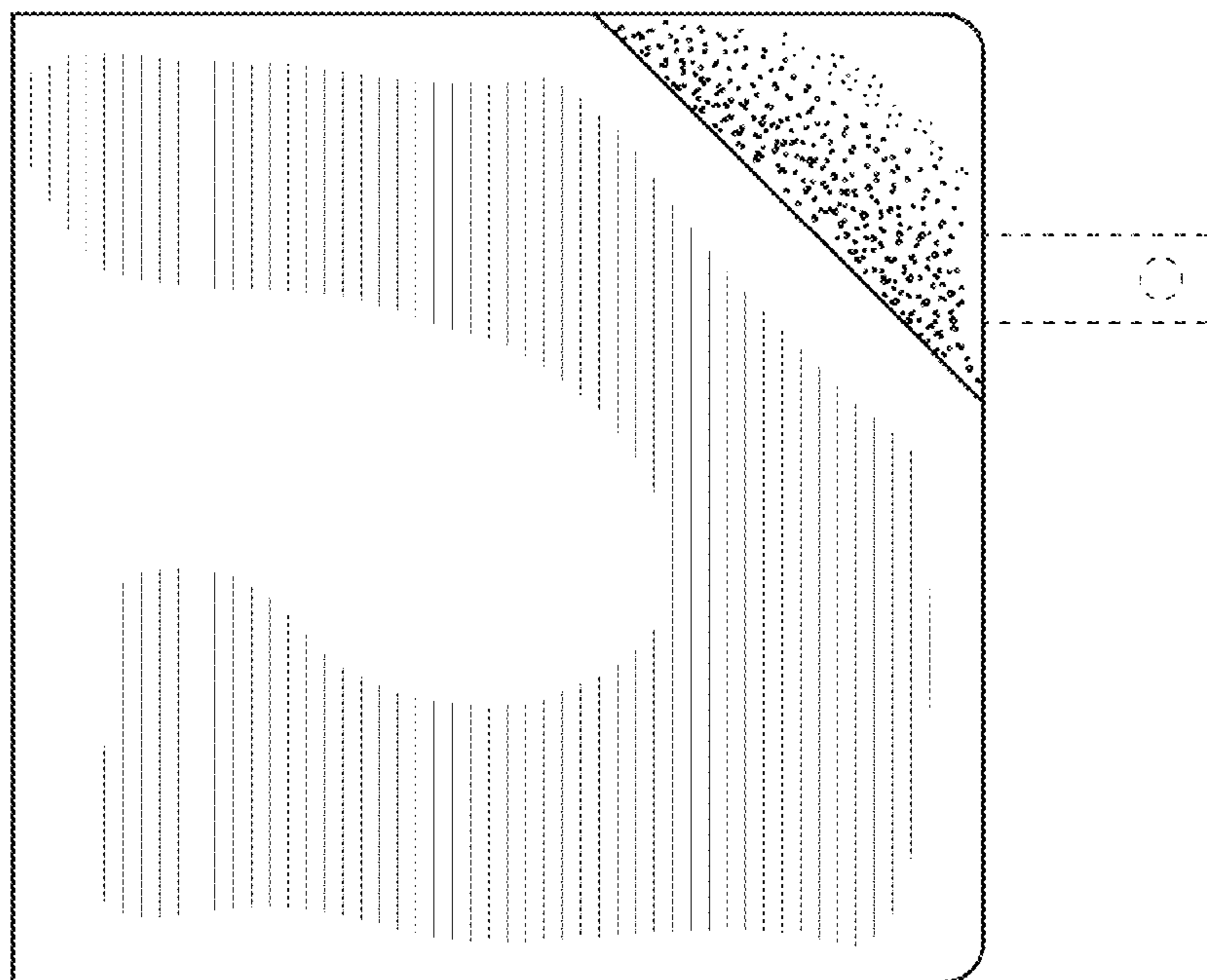


FIG. 4

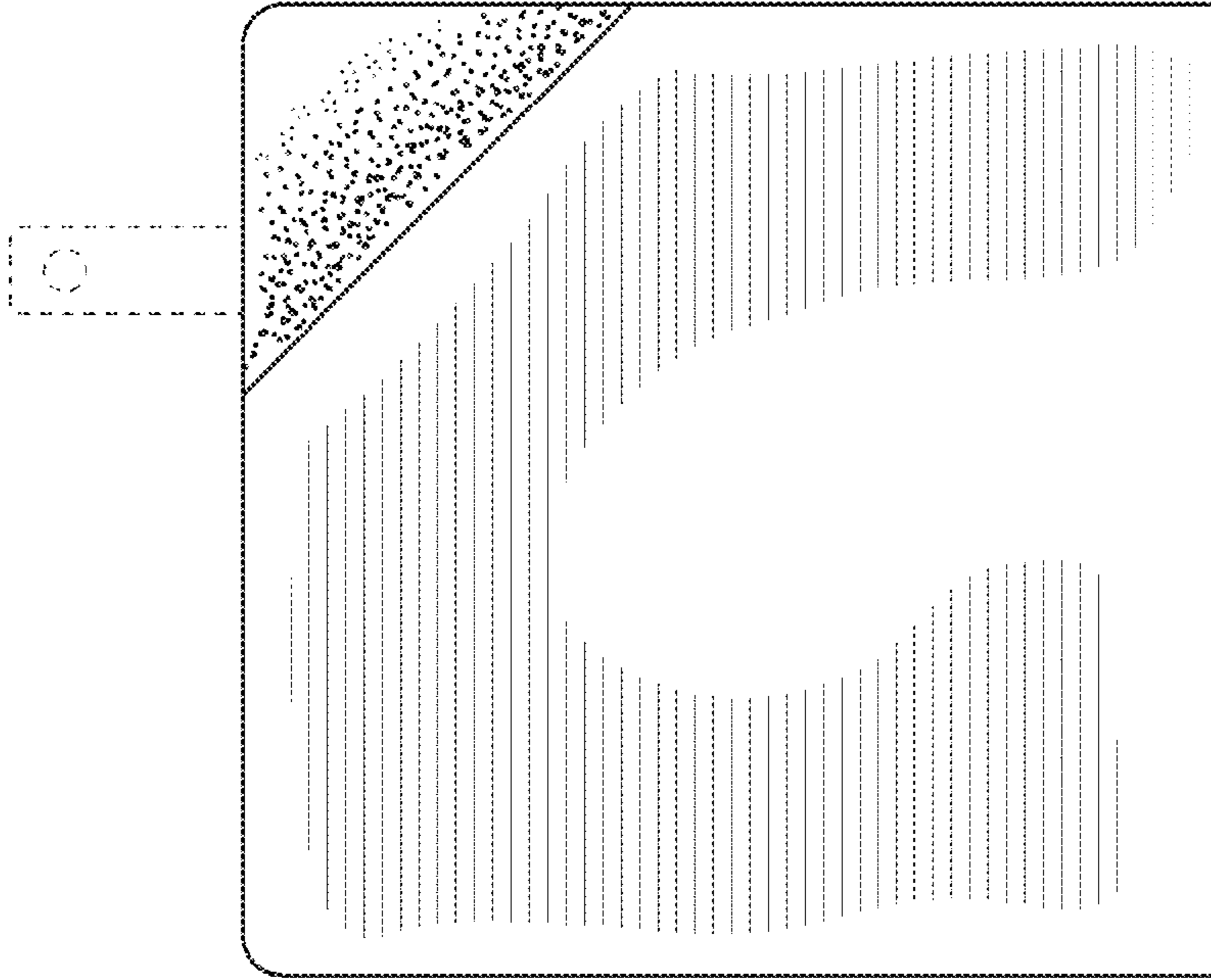


FIG. 5

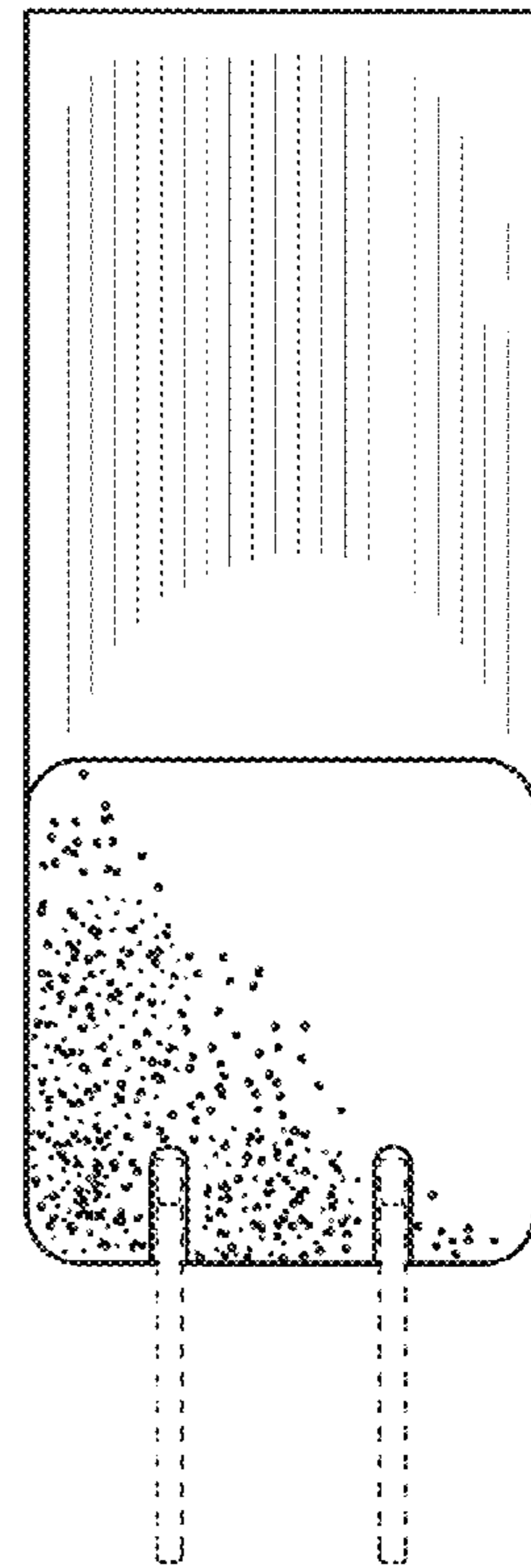


FIG. 6

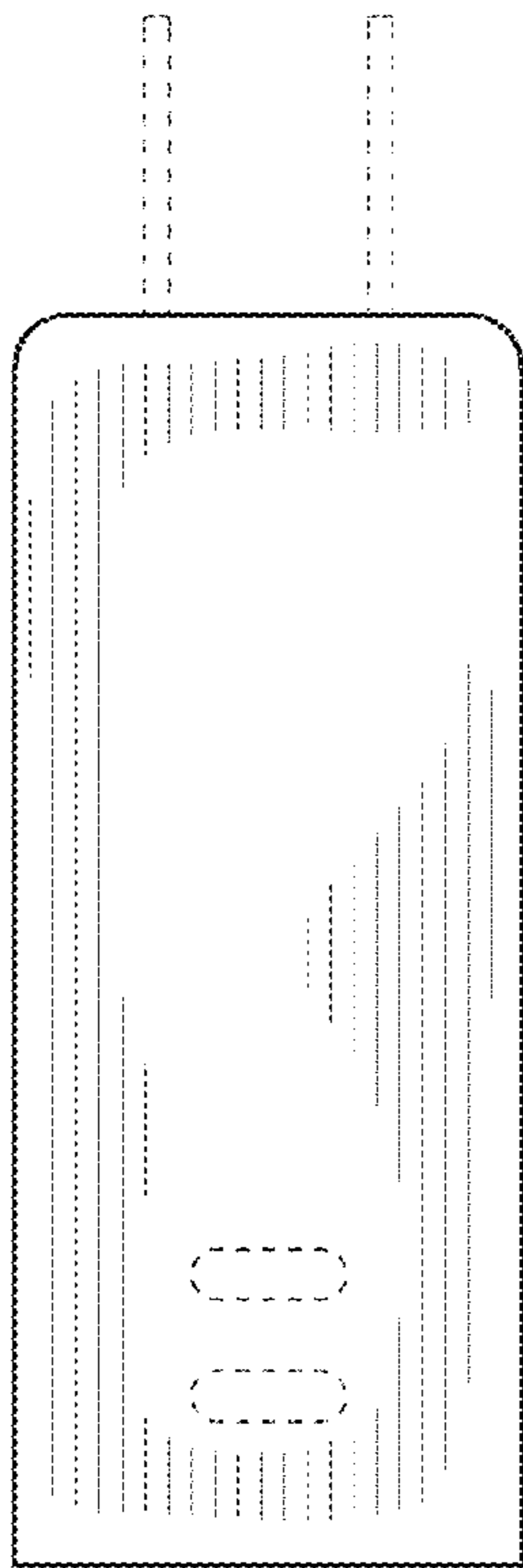


FIG. 7

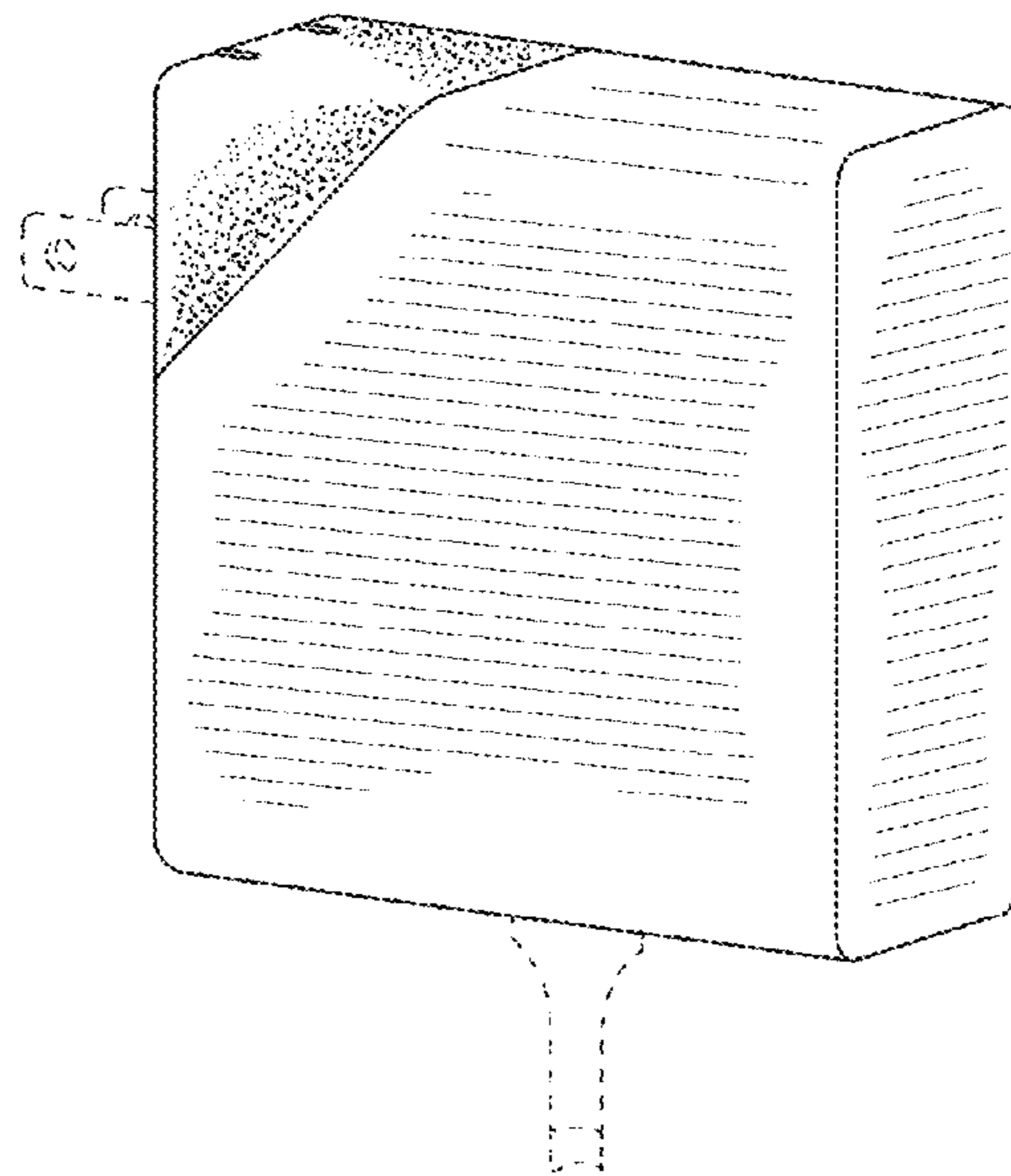
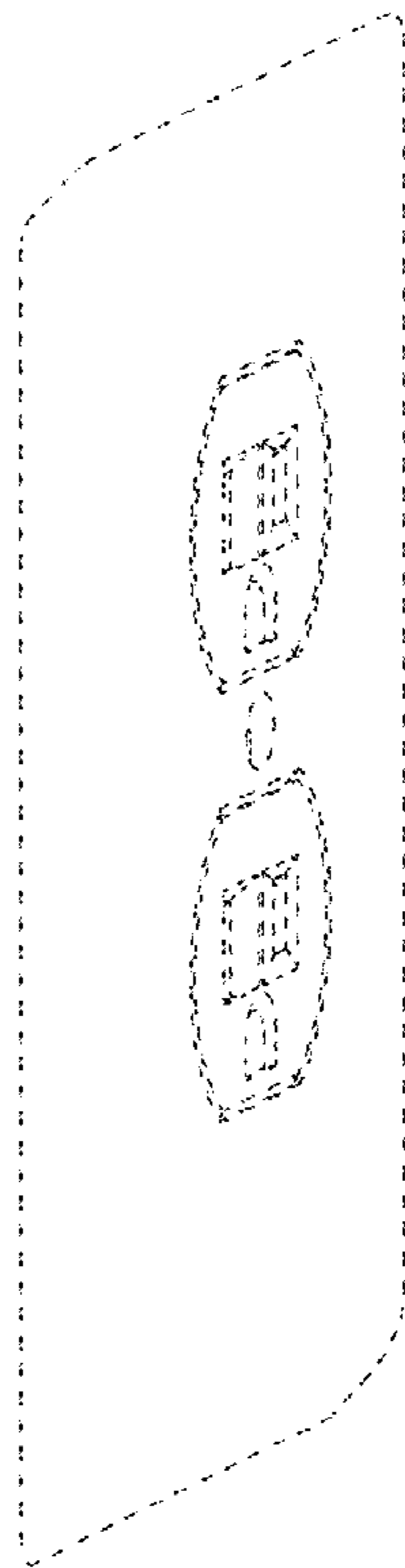


FIG. 8

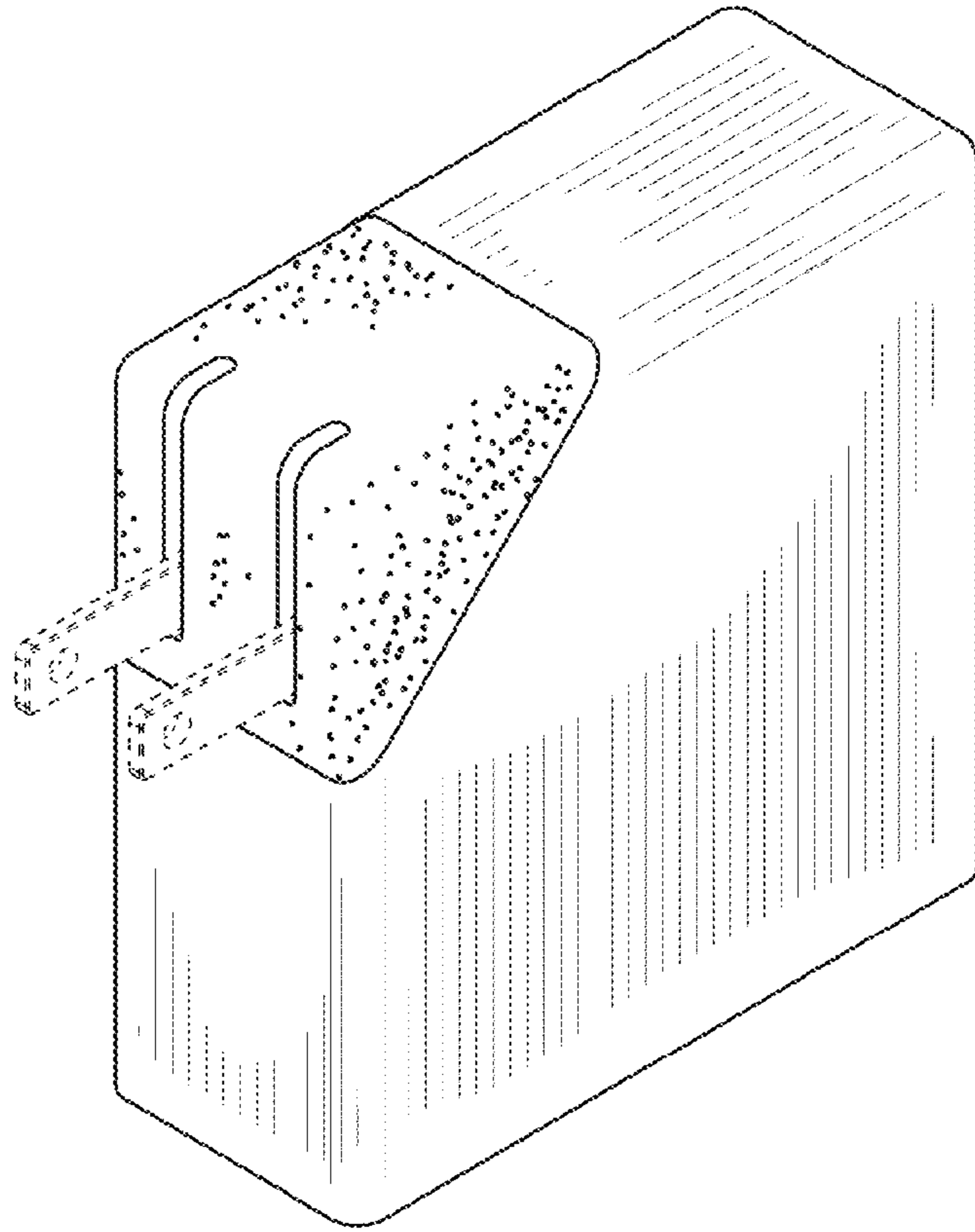


FIG. 9

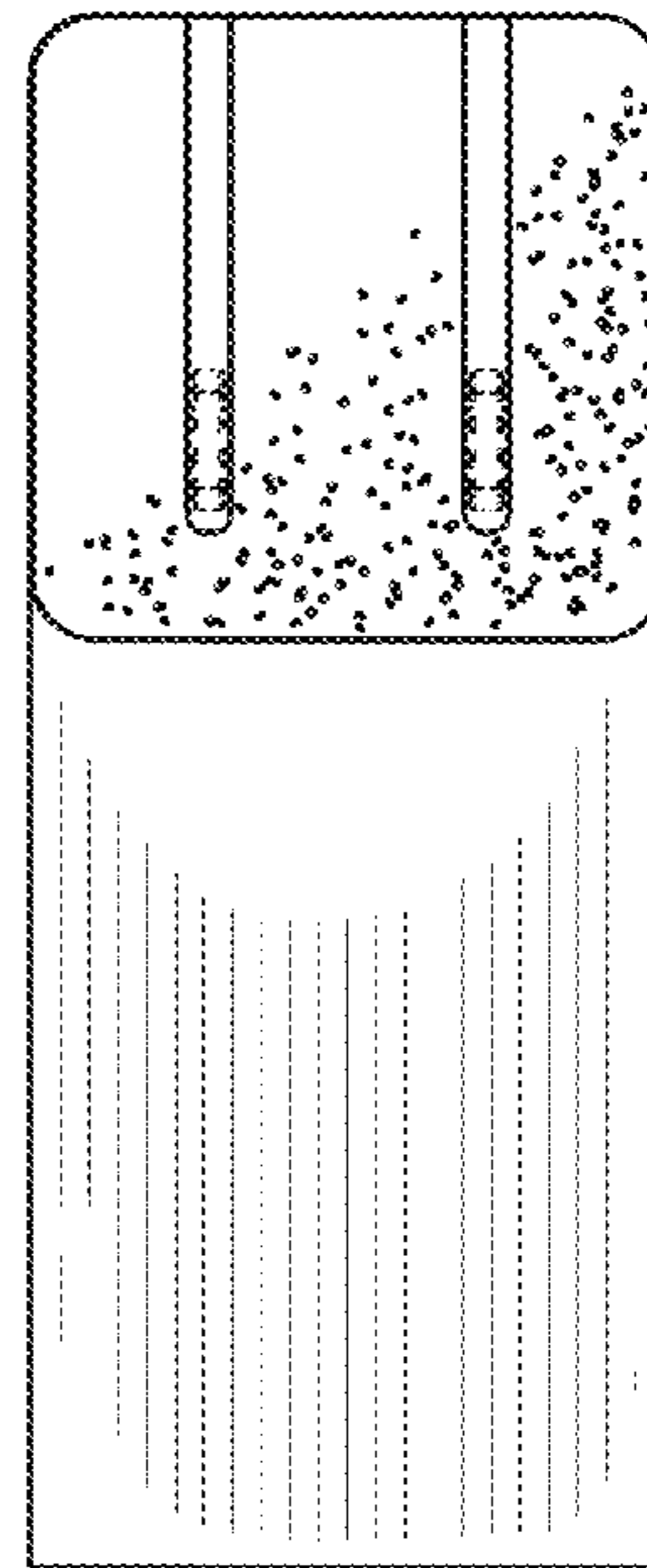


FIG. 10

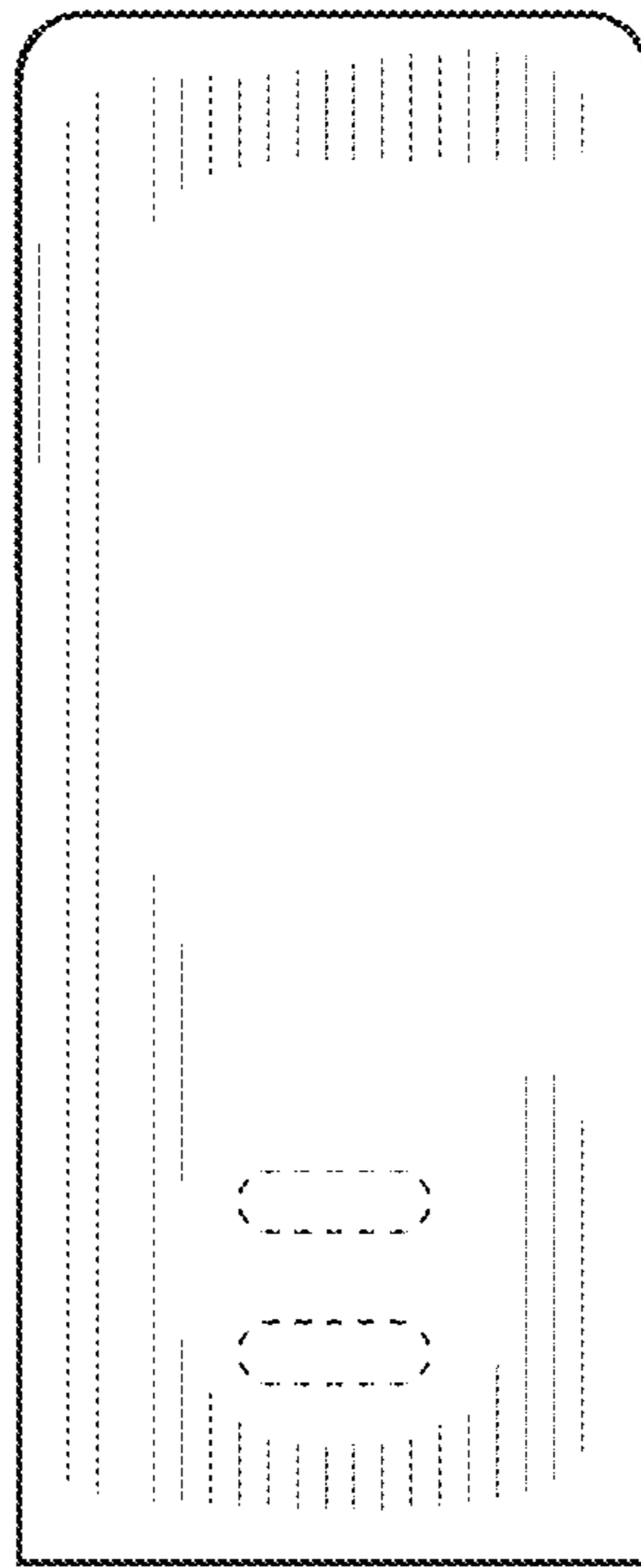


FIG. 11

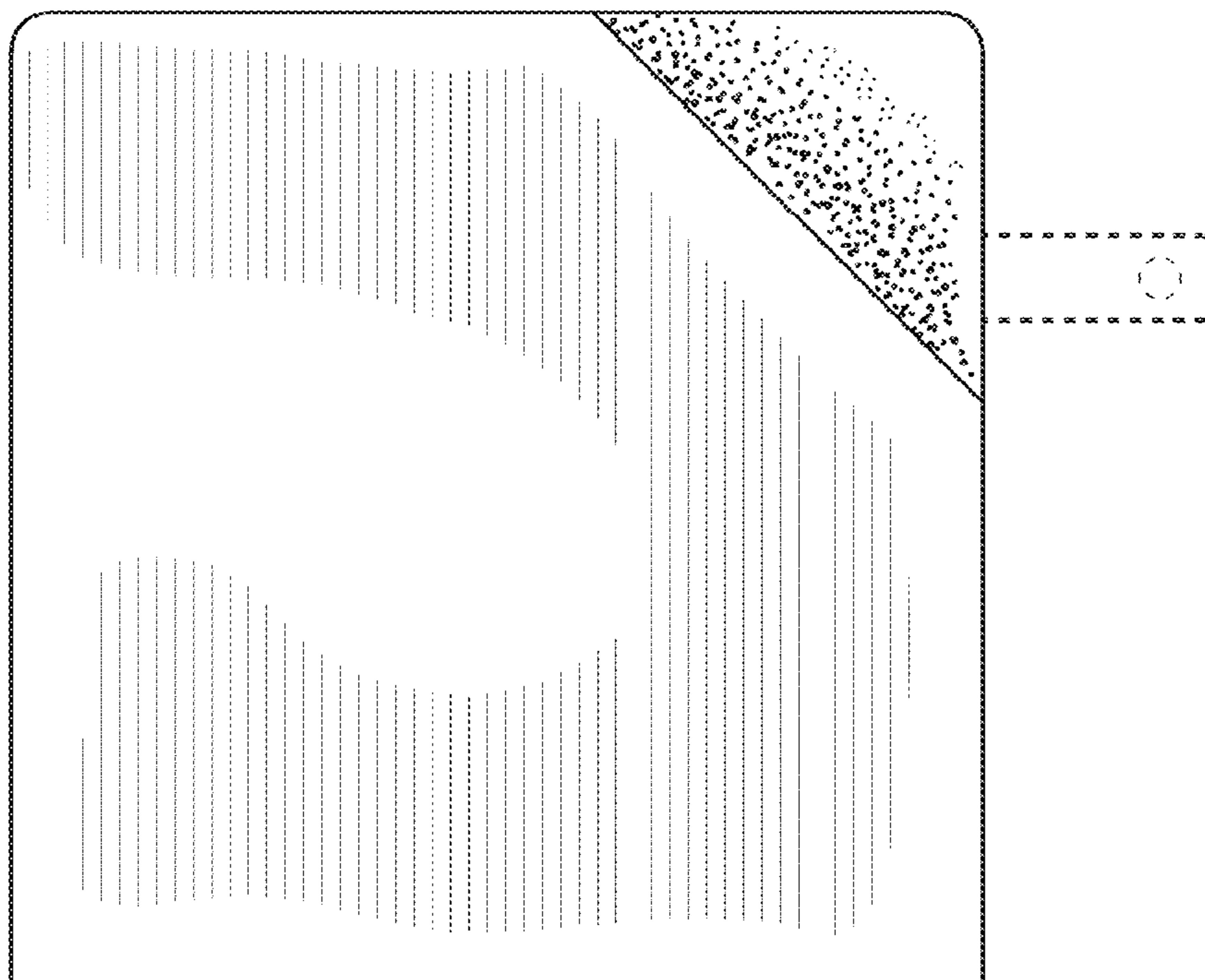


FIG. 12

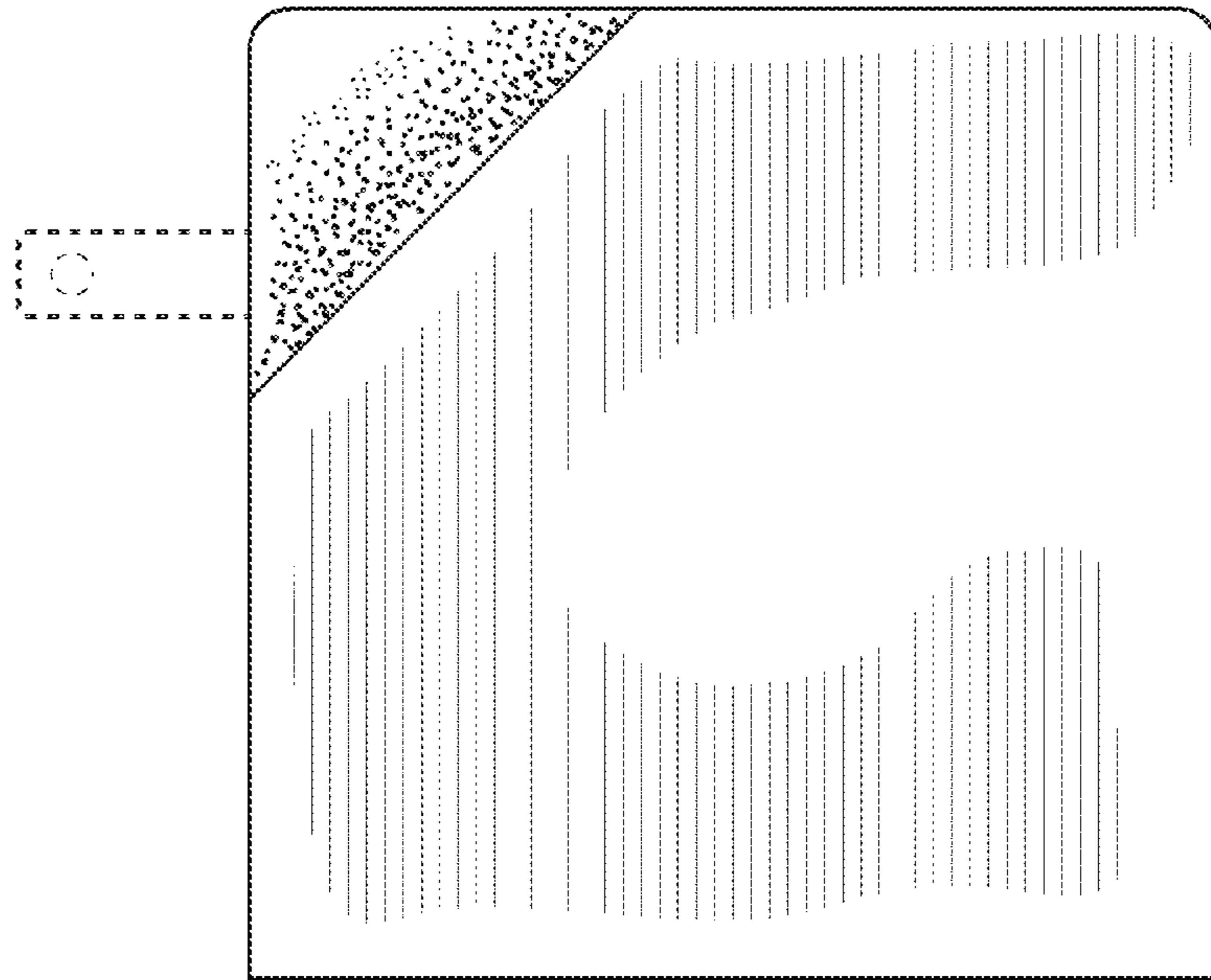


FIG. 13

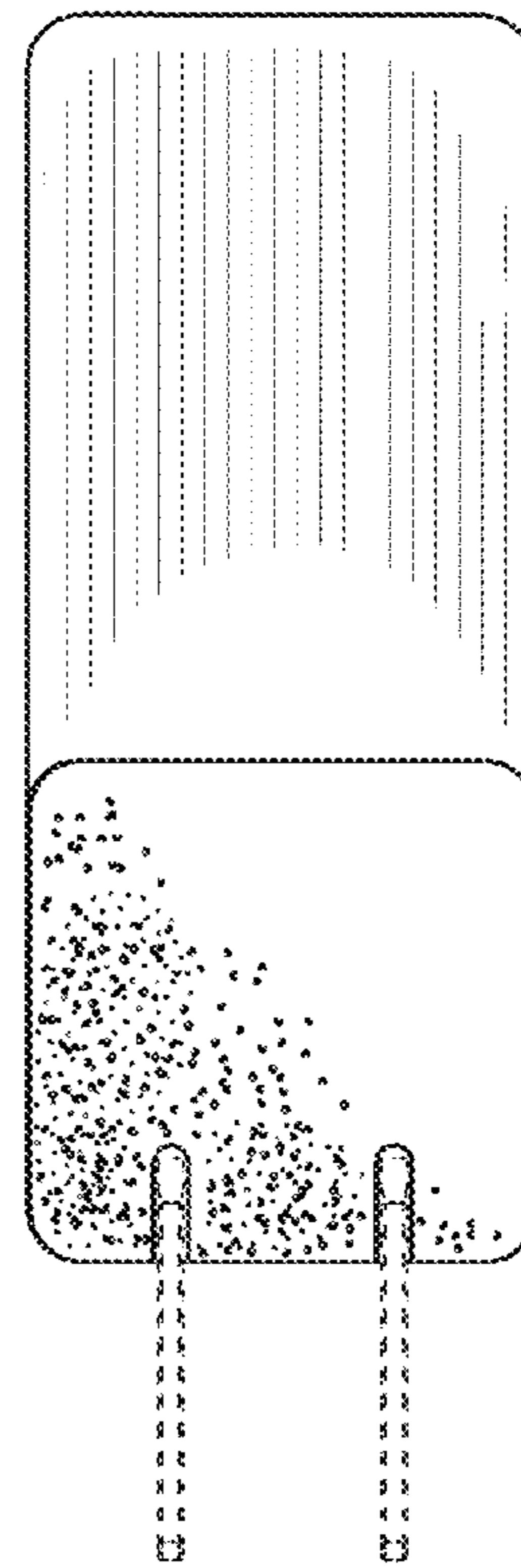


FIG. 14

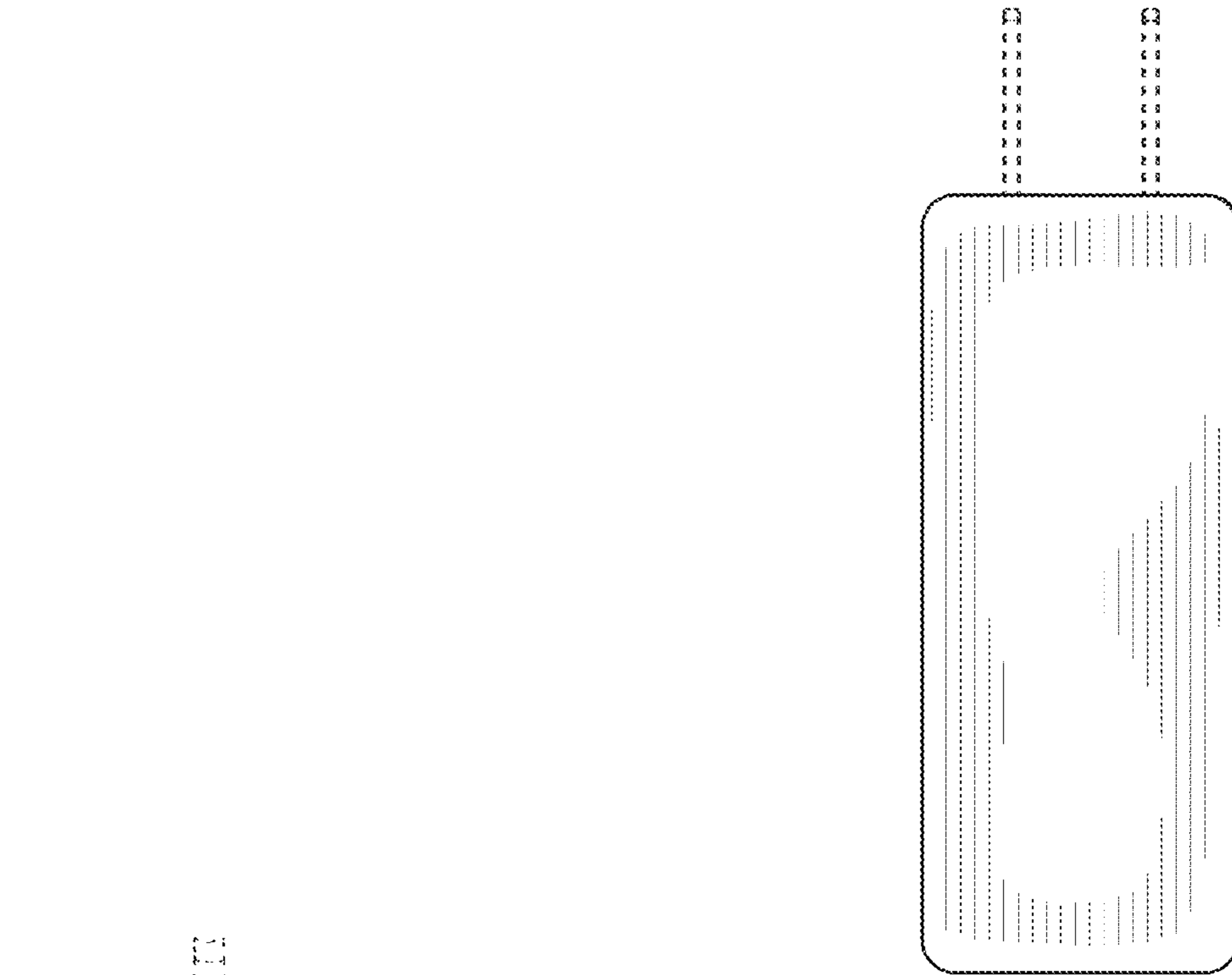


FIG. 15

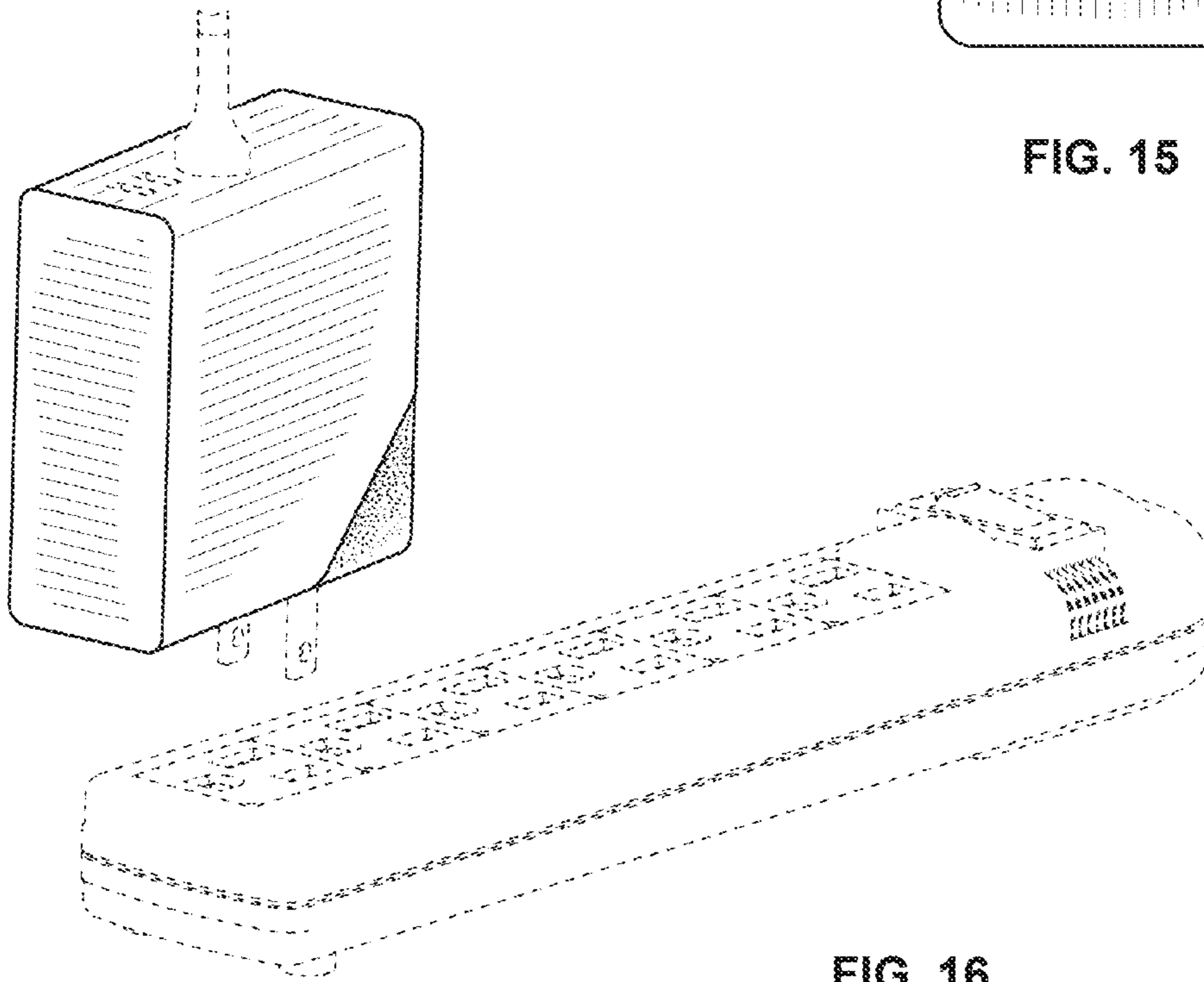


FIG. 16

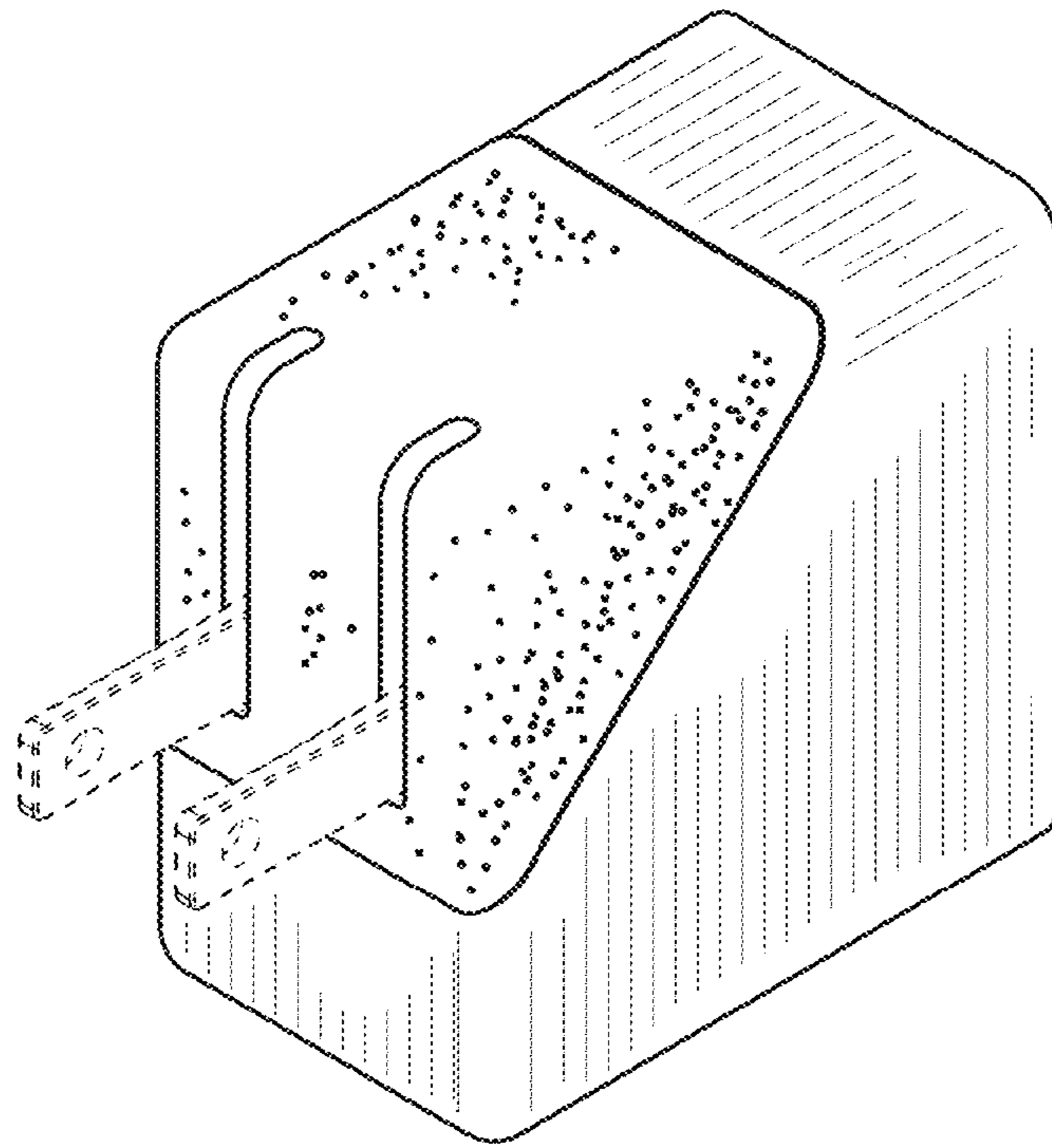


FIG. 17

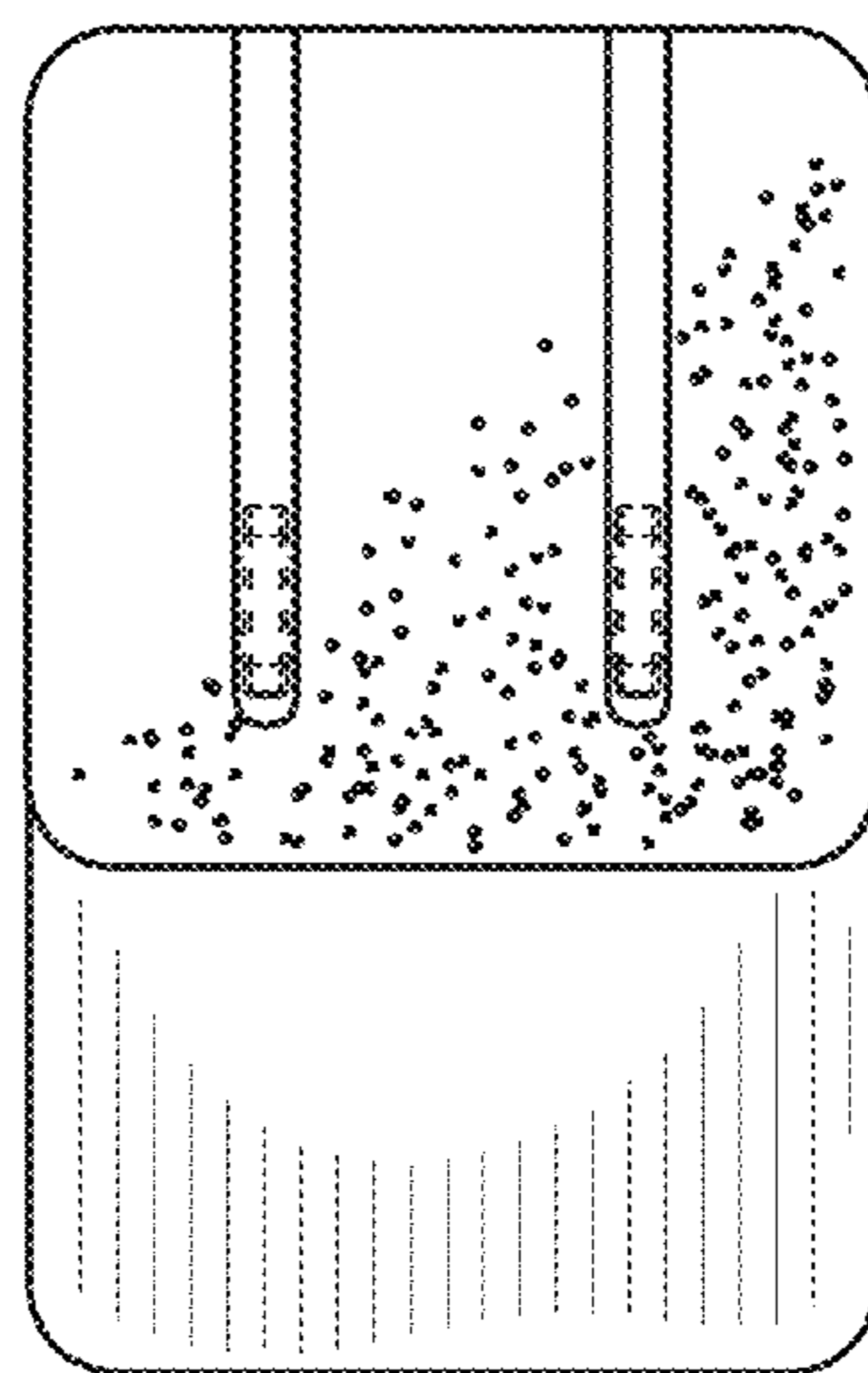


FIG. 18

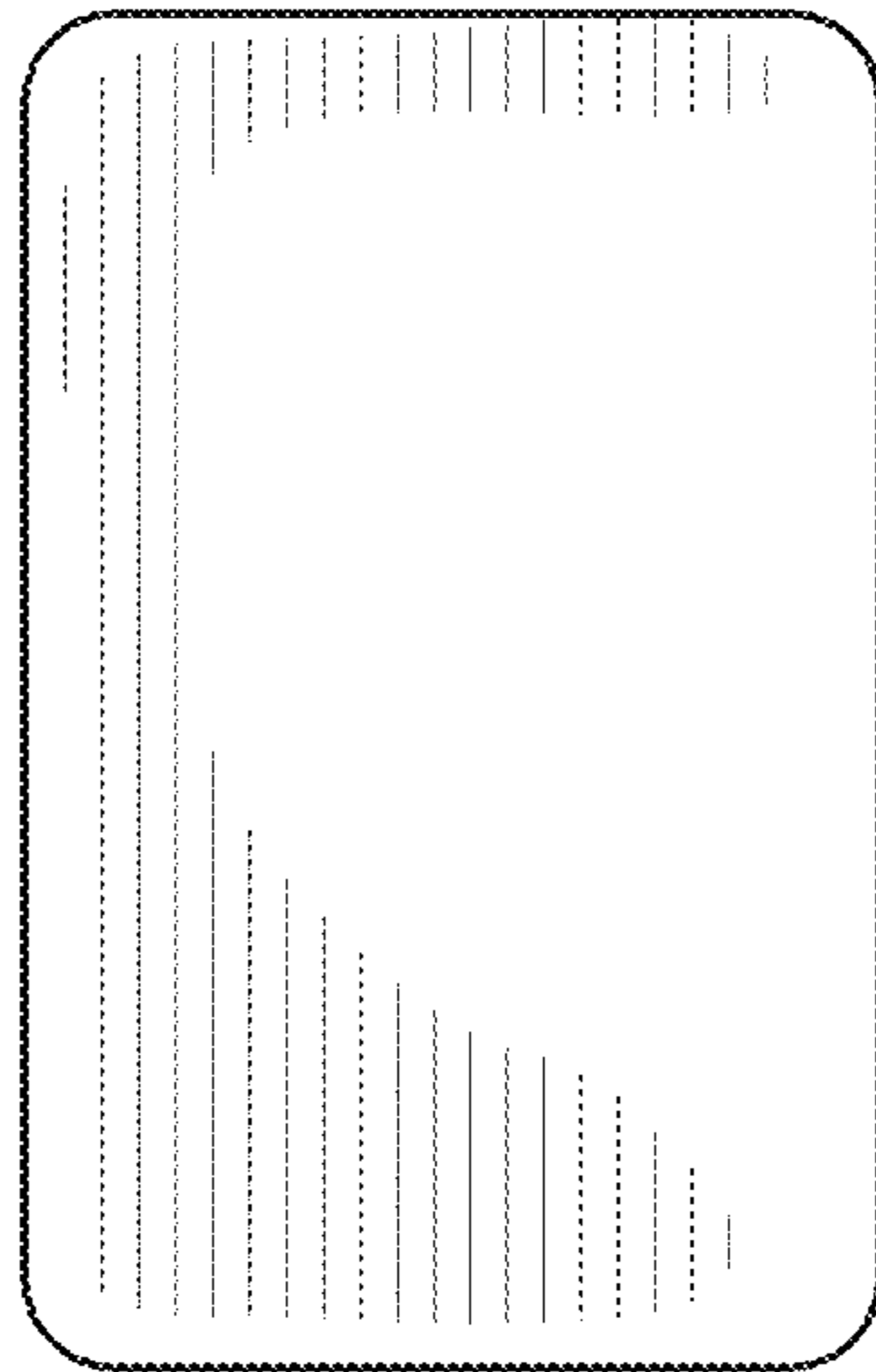


FIG. 19

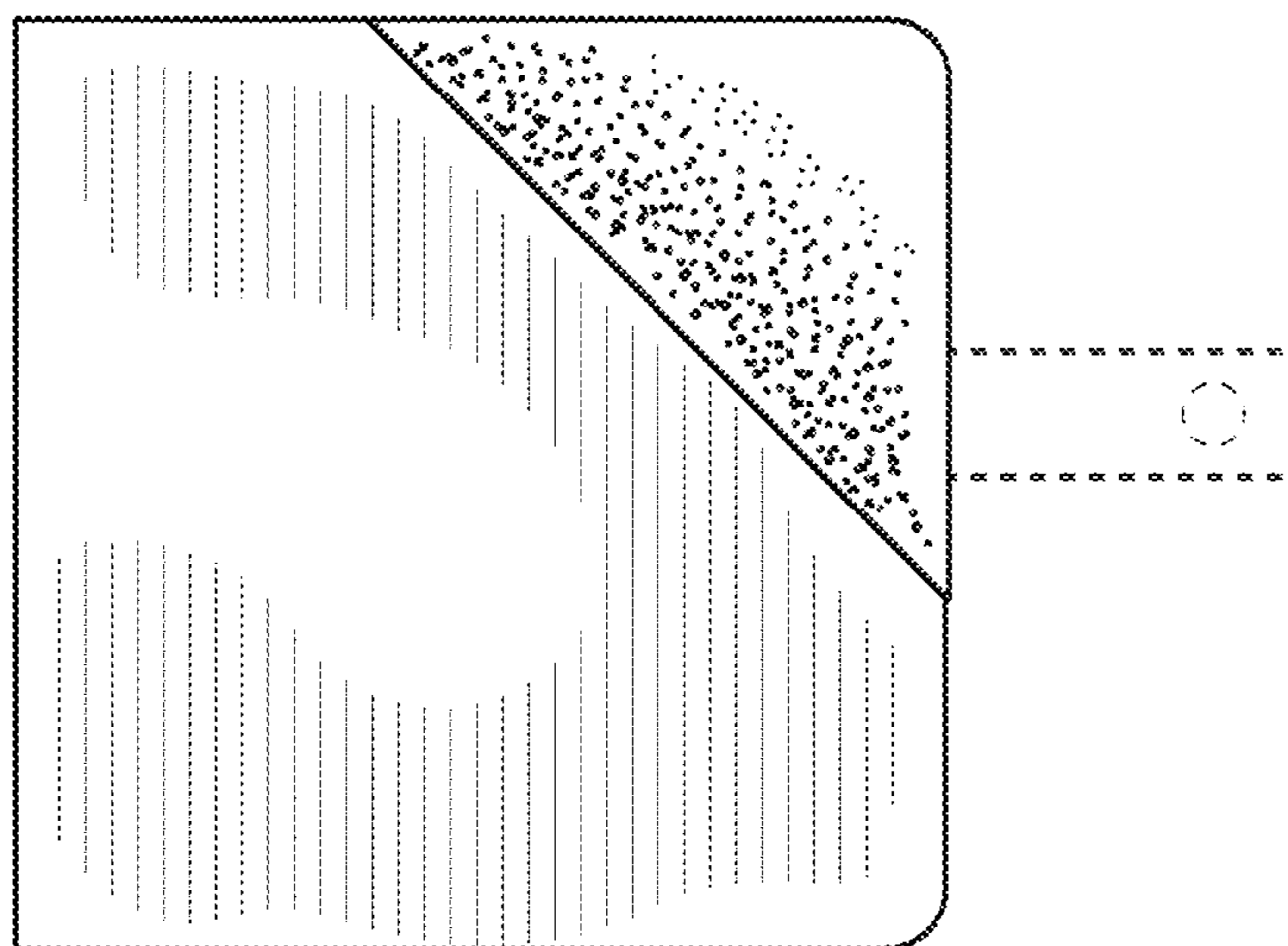


FIG. 20

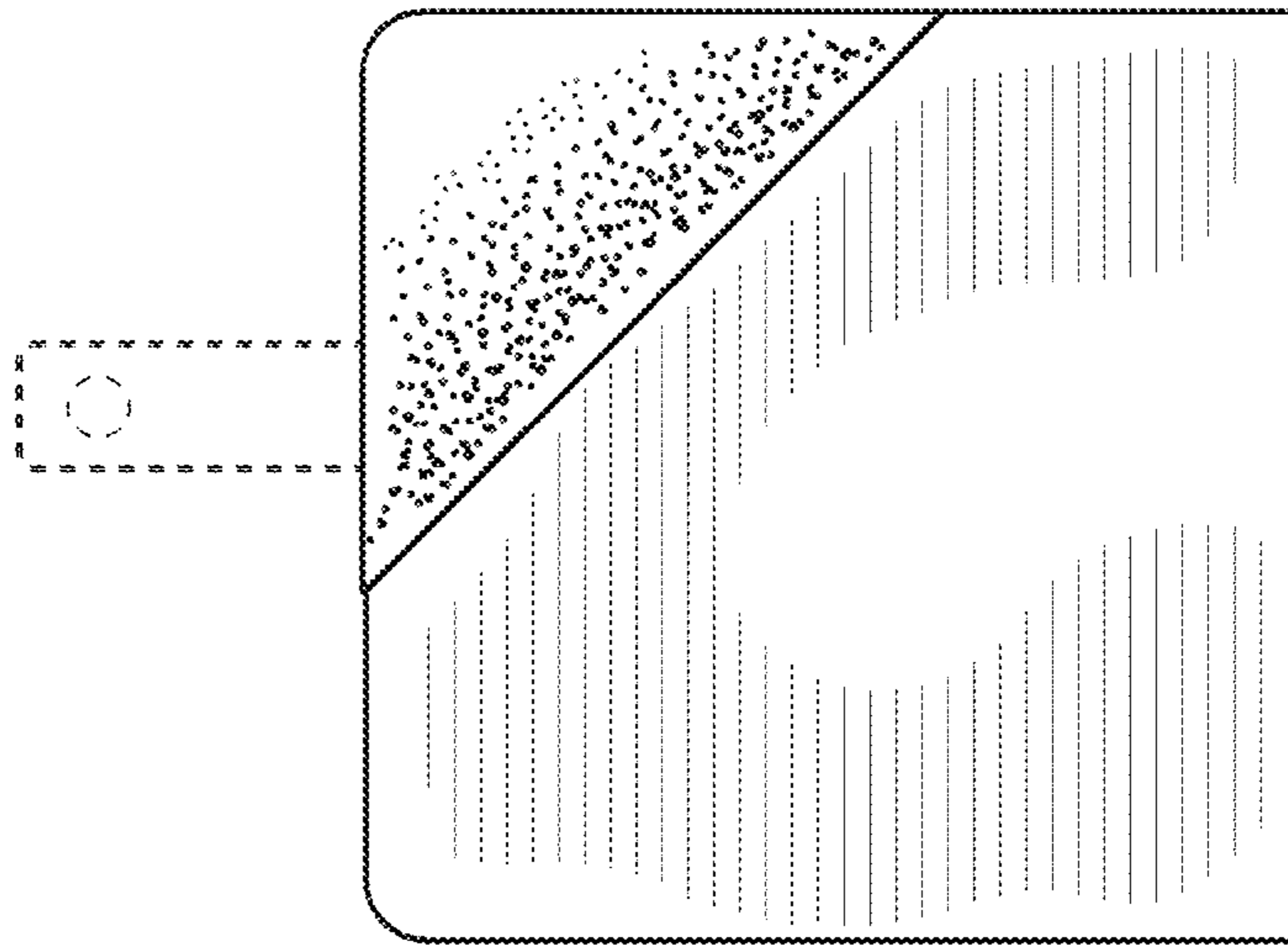


FIG. 21

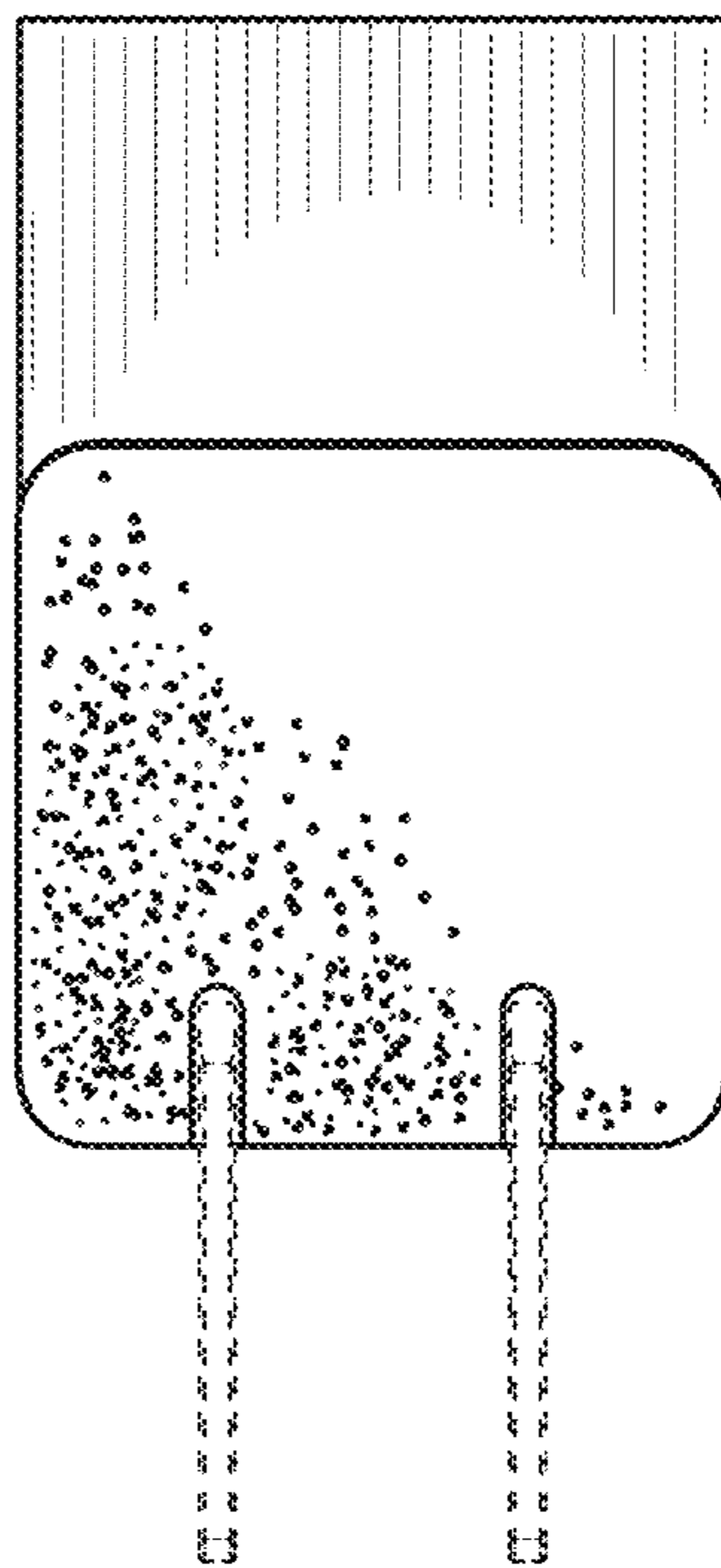


FIG. 22

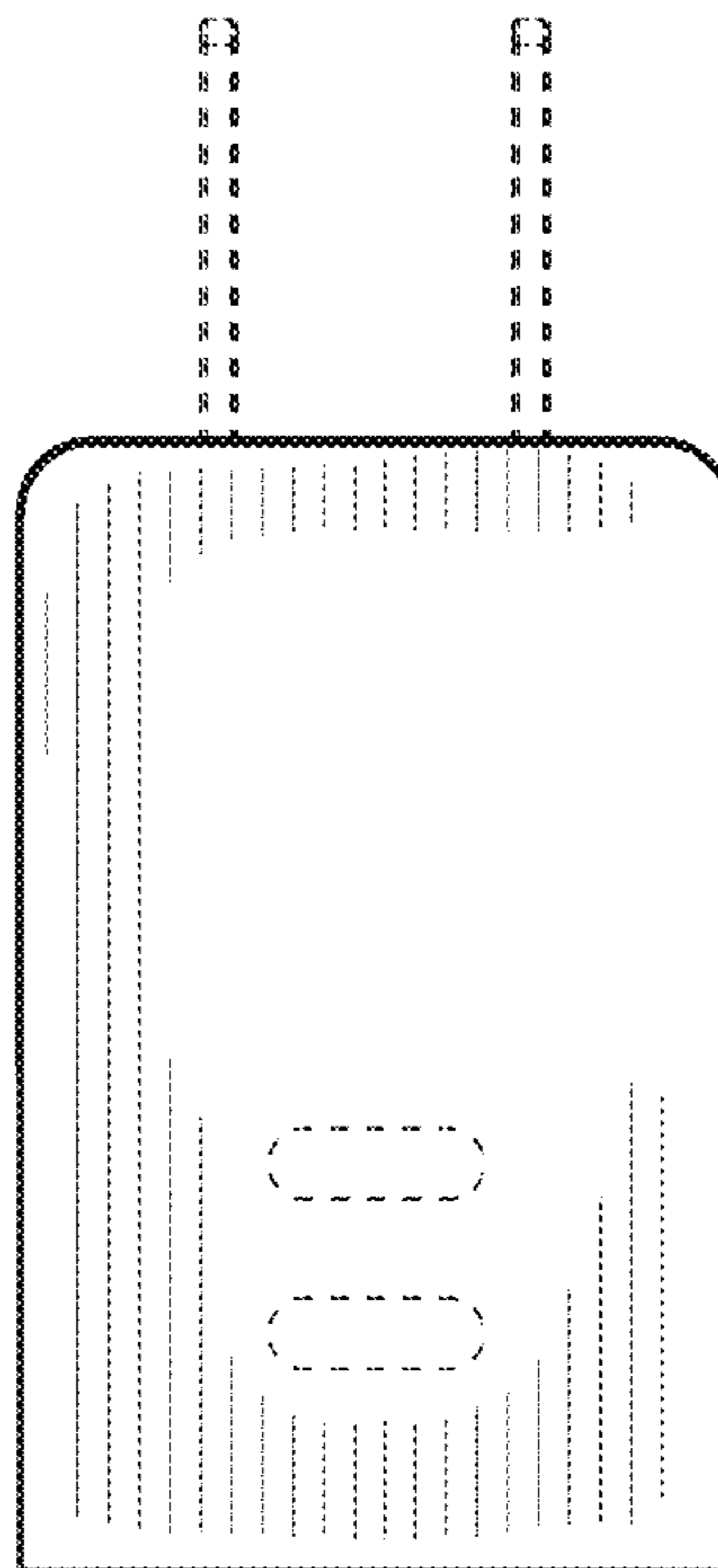


FIG. 23

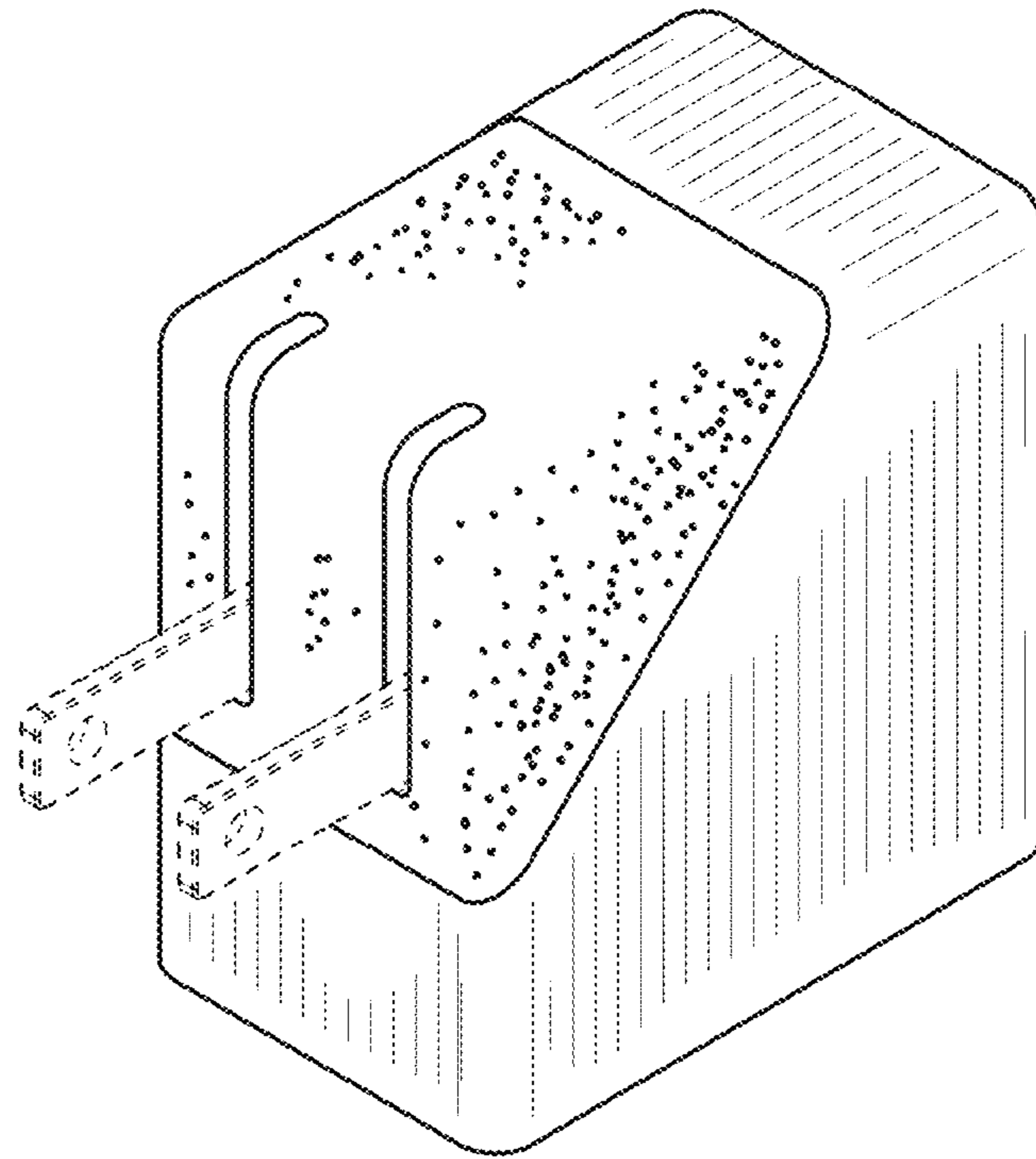


FIG. 24

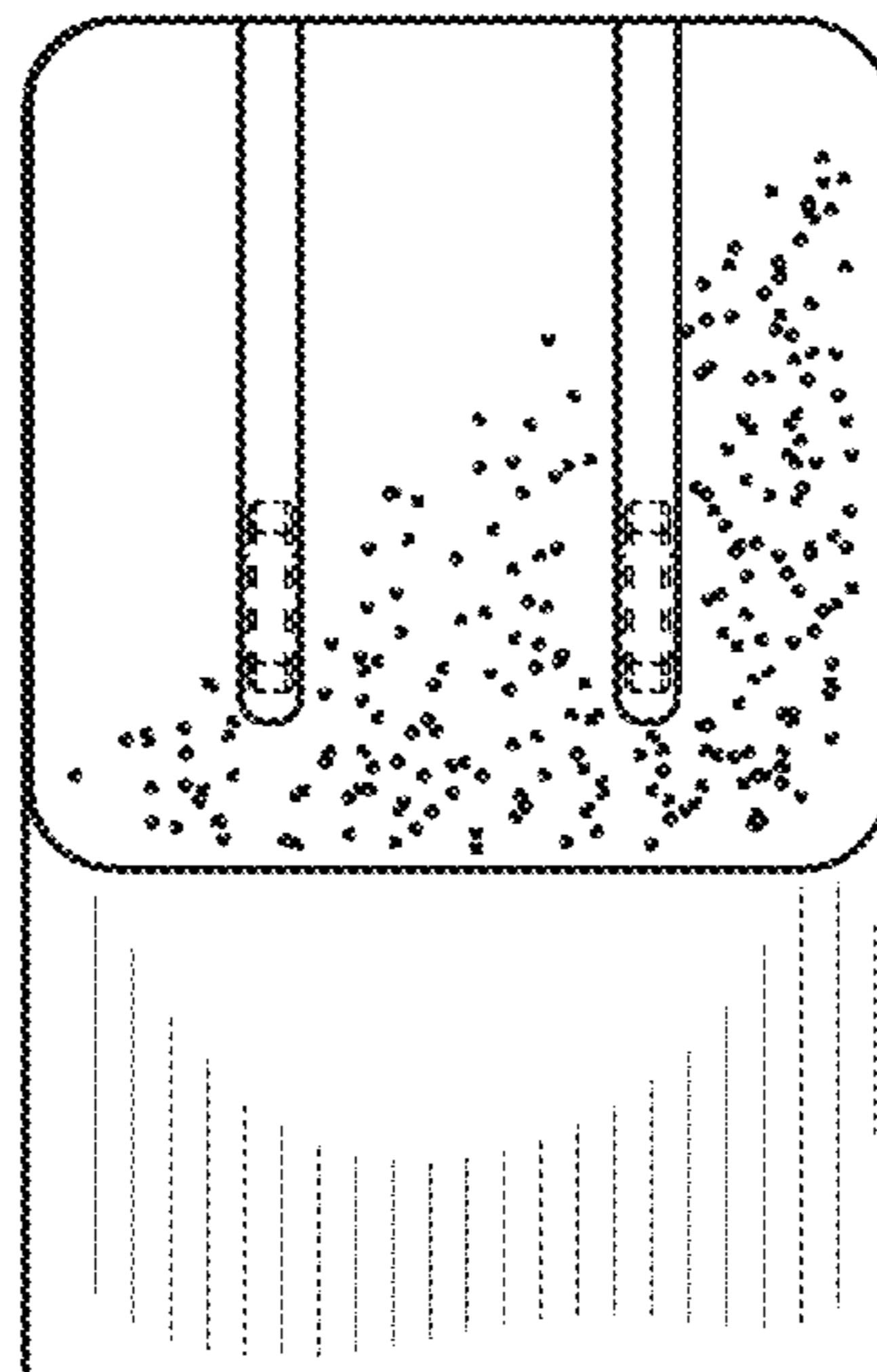


FIG. 25

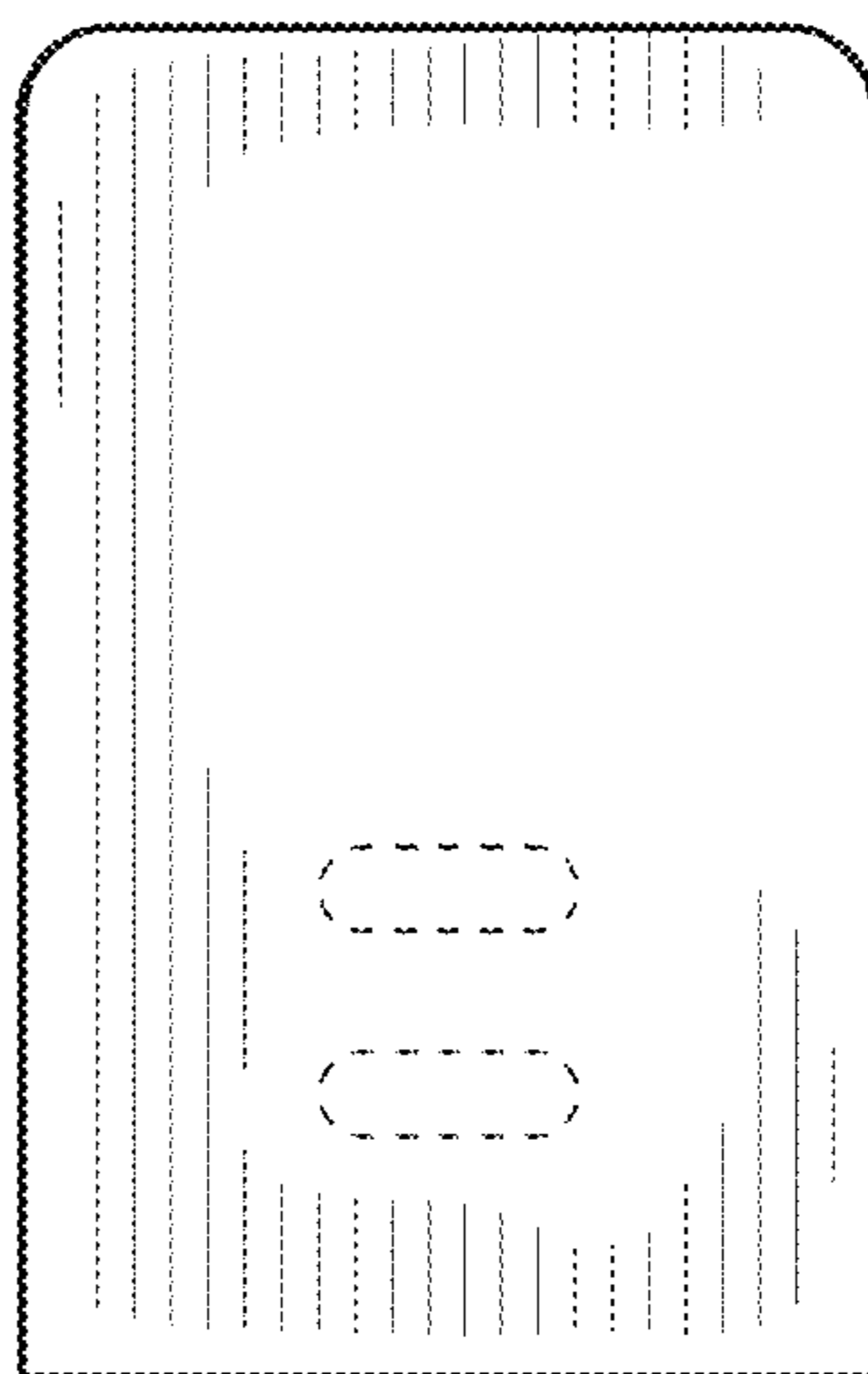


FIG. 26

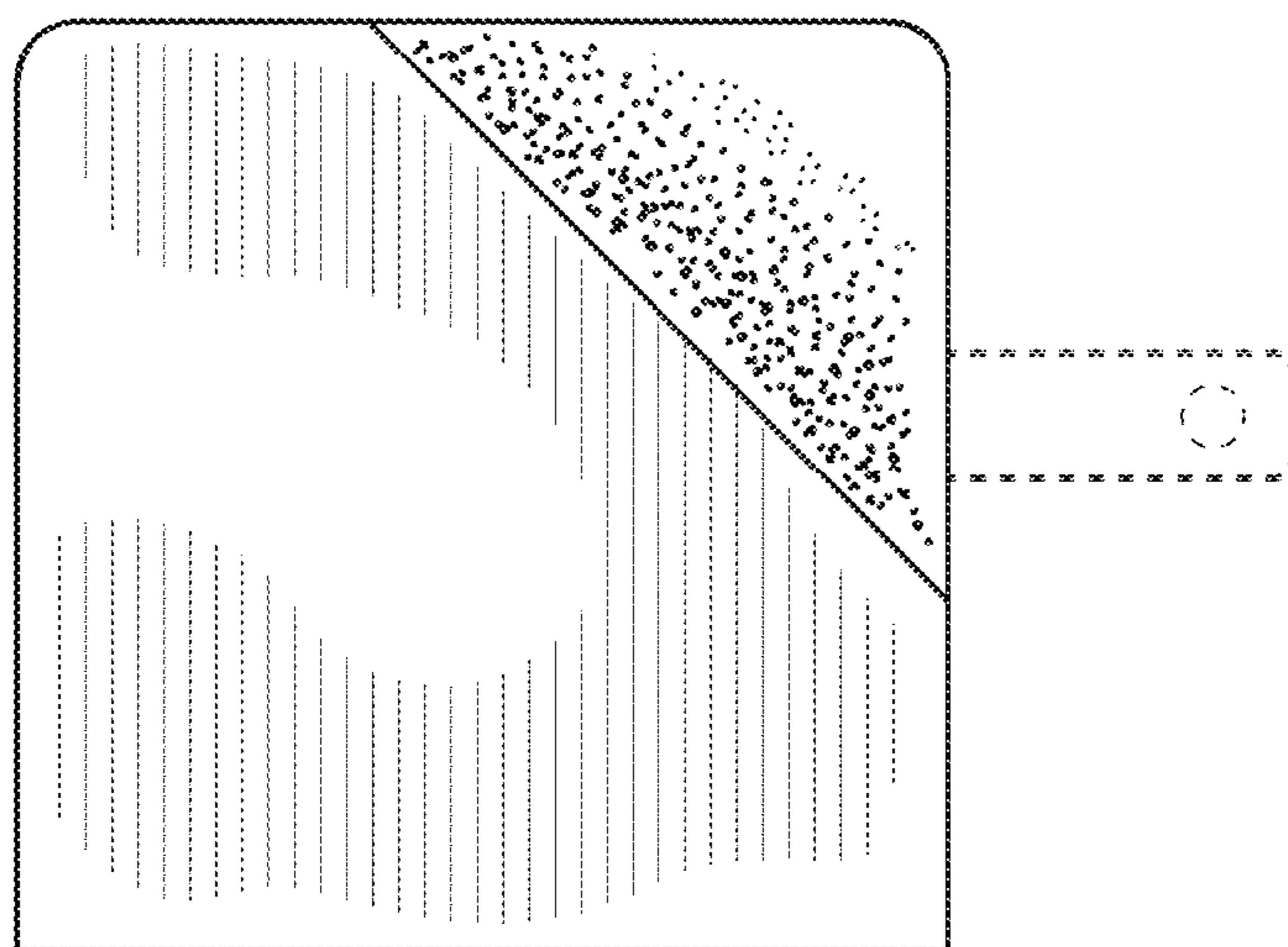


FIG. 27

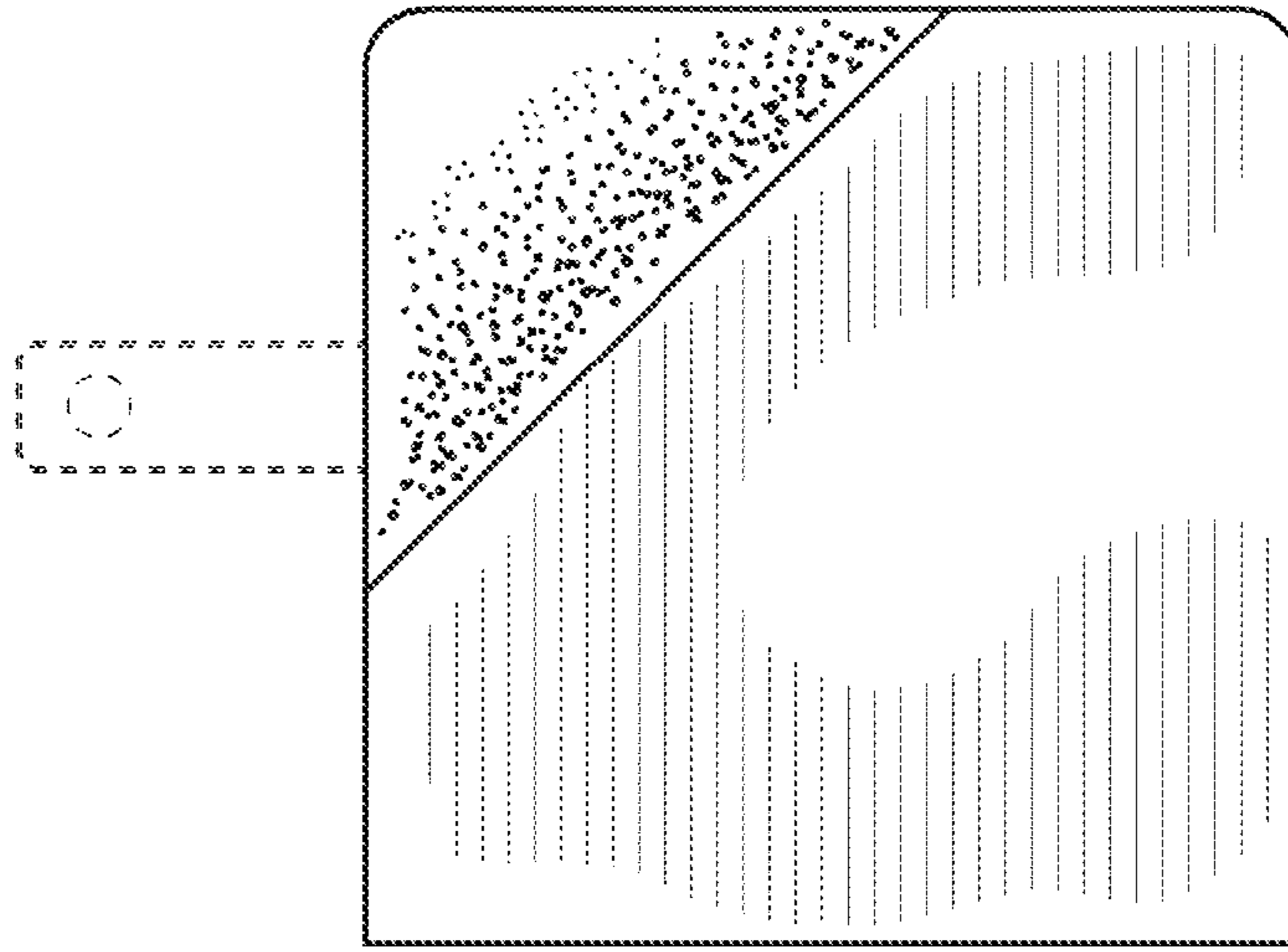


FIG. 28

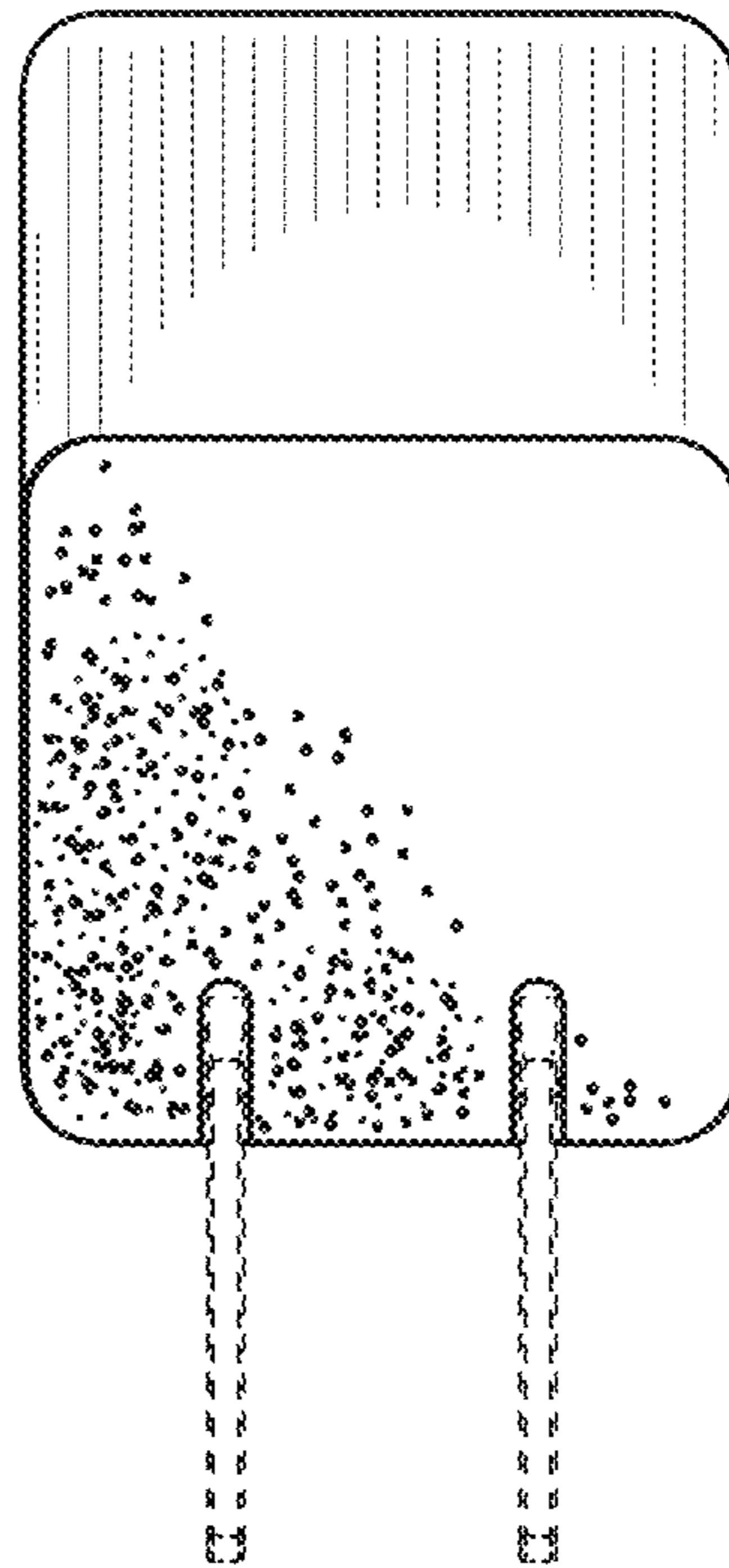


FIG. 29

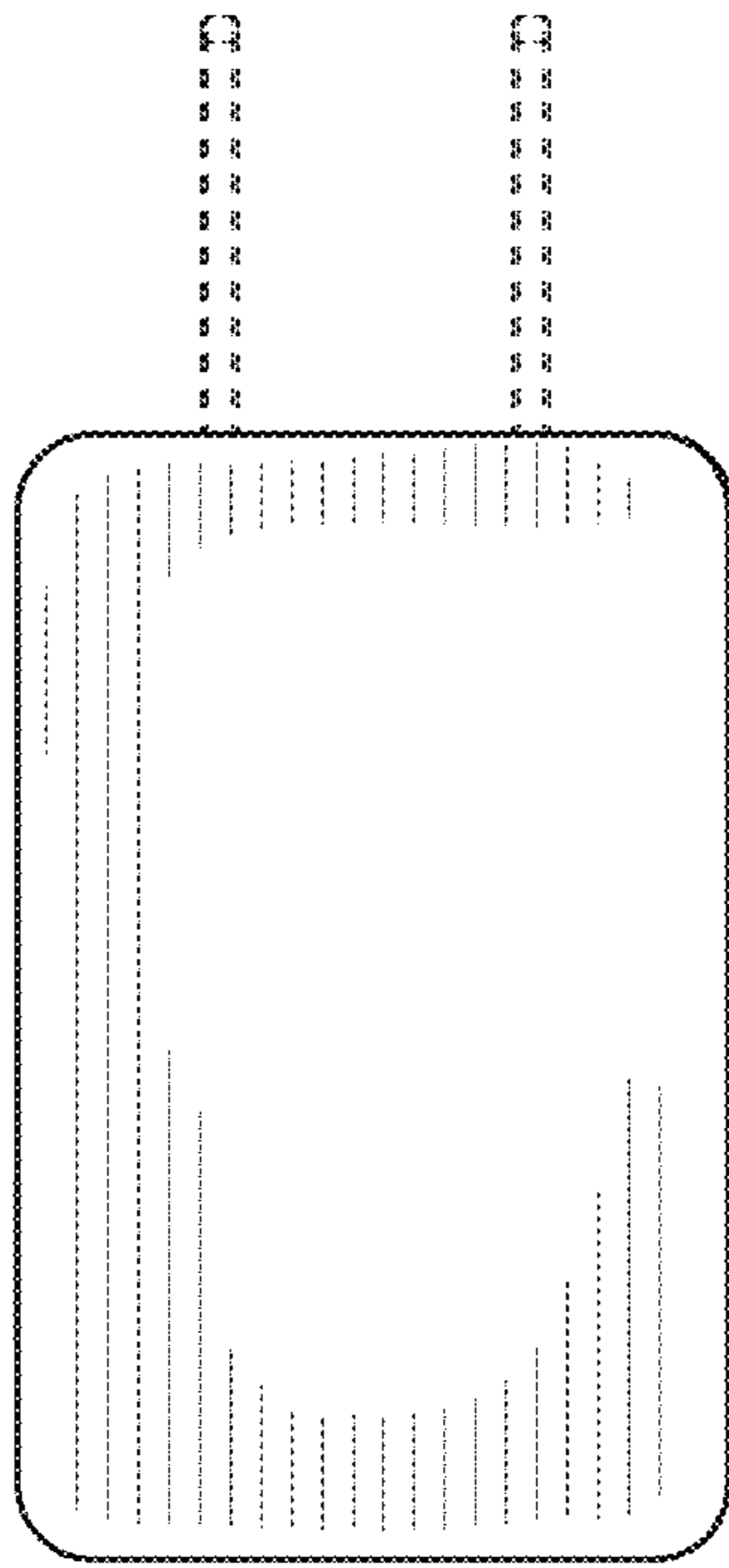


FIG. 30