



US00D772158S

(12) **United States Design Patent** (10) **Patent No.:** **US D772,158 S**  
**Meyerhoffer** (45) **Date of Patent:** **\*\* Nov. 22, 2016**

(54) **CHARGING DEVICE**

(71) Applicant: **Thomas E. Meyerhoffer**, Montara, CA (US)

(72) Inventor: **Thomas E. Meyerhoffer**, Montara, CA (US)

(\*\*) Term: **14 Years**

(21) Appl. No.: **29/520,738**

(22) Filed: **Mar. 17, 2015**

(51) **LOC (10) Cl.** ..... **13-02**

(52) **U.S. Cl.**  
USPC ..... **D13/107**

(58) **Field of Classification Search**  
USPC ..... D13/102-110, 118-119, 184, 199;  
D14/251, 253, 432, 434; 320/103,  
320/111-115, 135, 138, 140  
CPC .... Y02E 60/10; Y02E 60/12; Y02E 60/122;  
Y02E 60/124; Y02E 60/50; H01M 2/02;  
H01M 2/022; H01M 2/0202; H01M 2/0207;  
H01M 2/0212; H01M 2/1061; H01M 2/1022;  
H01M 2/1055; H01M 2/1066; H01M 2/105;  
H01M 2/20; H01M 2/202; H01M 2/204;  
H01M 2/206; H01M 10/44; H01M 10/46;  
H01M 10/465; H01M 10/482; H01M  
2200/30; H01M 2250/30; H01M 2250/40;  
H02J 7/00; H02J 7/0003; H02J 7/0011;  
H02J 7/0013; H02J 7/0054; H02J 7/0055;  
H02J 7/0057; H02J 2007/0062  
See application file for complete search history.

(56) **References Cited**

U.S. PATENT DOCUMENTS

D300,349 S	3/1989	Ennis, III	
D314,178 S	1/1991	Reber	
D427,178 S *	6/2000	Cory	D14/217
D474,448 S	5/2003	Bosch	
D479,824 S *	9/2003	Arkin	D13/144
D494,571 S *	8/2004	Polito	D14/223

D505,389 S	5/2005	Chang	
D507,569 S *	7/2005	Tagliabue	D14/356
D514,512 S *	2/2006	Rubin	D13/108
D516,533 S *	3/2006	Cohen	D13/144
D519,504 S *	4/2006	Tagliabue	D14/356
D557,658 S	12/2007	Ledbetter et al.	
D570,773 S *	6/2008	Lloyd	D13/110
D585,375 S	1/2009	Andre et al.	
D618,618 S	6/2010	Lee et al.	
D632,653 S	2/2011	Wikel et al.	
D673,110 S *	12/2012	Sasada	D13/108
D712,410 S *	9/2014	Shu	D14/411
D718,242 S *	11/2014	Aspinall	D13/144
D721,327 S *	1/2015	Kim	D13/108
D725,034 S *	3/2015	Chen	D13/108

(Continued)

*Primary Examiner* — Rosemary K Tarcza

*Assistant Examiner* — Sanjeev Paul

(74) *Attorney, Agent, or Firm* — Paradice and Li LLP

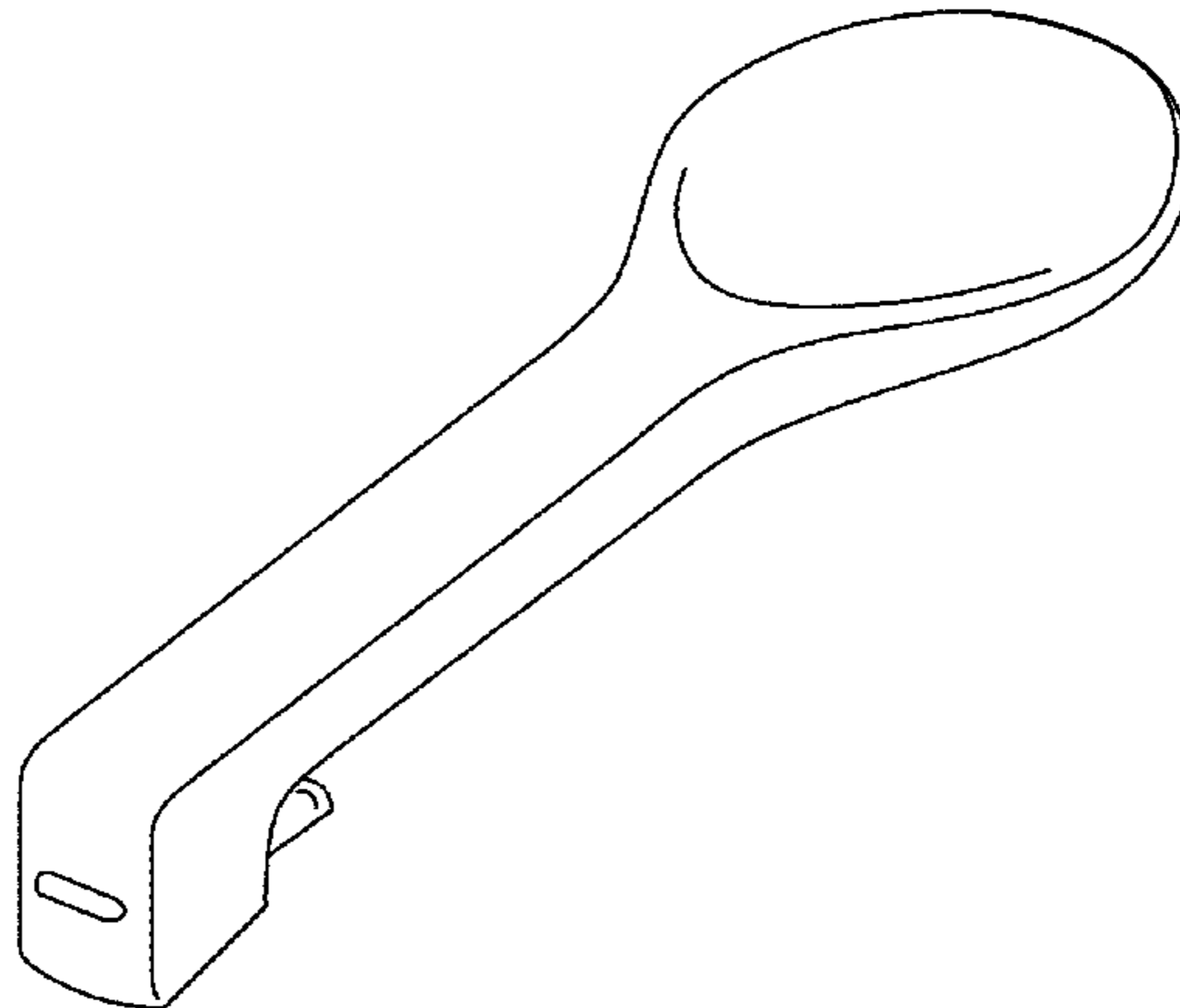
(57) **CLAIM**

The ornamental design for a charging device, as shown and described.

**DESCRIPTION**

FIG. 1 is a front perspective view of a charging device showing my new design;  
FIG. 2 is a bottom view of the charging device thereof;  
FIG. 3 is a top view of the charging device thereof;  
FIG. 4 is a left view of the charging device thereof. The right view of the charging device thereof is a mirror image of the left side;  
FIG. 5 is a rear view thereof;  
FIG. 6 is a front view thereof;  
FIG. 7 is another front perspective view of the charging device shown in use; and,  
FIG. 8 is another front perspective view of the charging device shown in use.  
The broken lines shown in the preceding drawings are for the purpose of illustrating the environment and form no part of the claimed design.

**1 Claim, 5 Drawing Sheets**



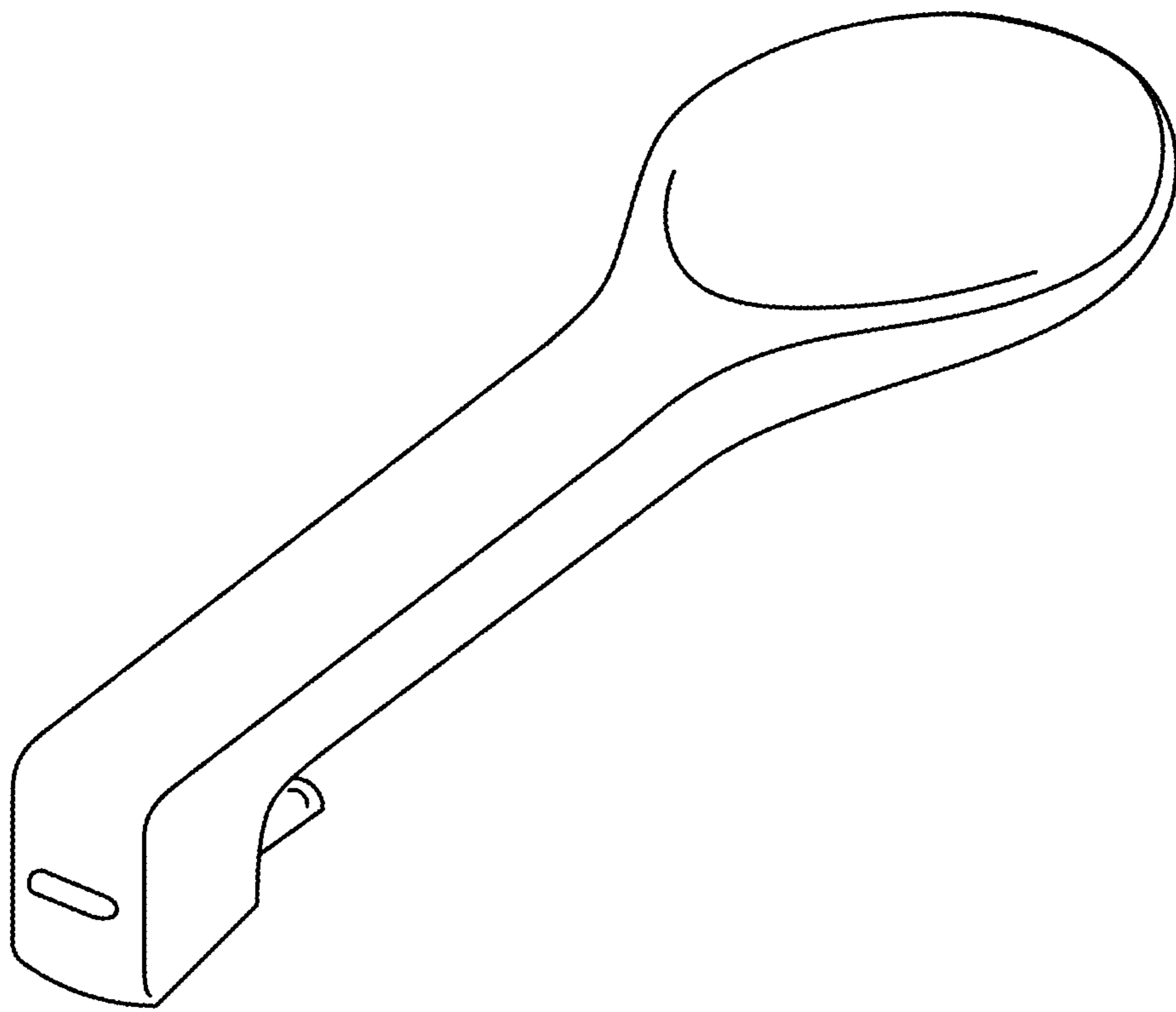
(56)

**References Cited**

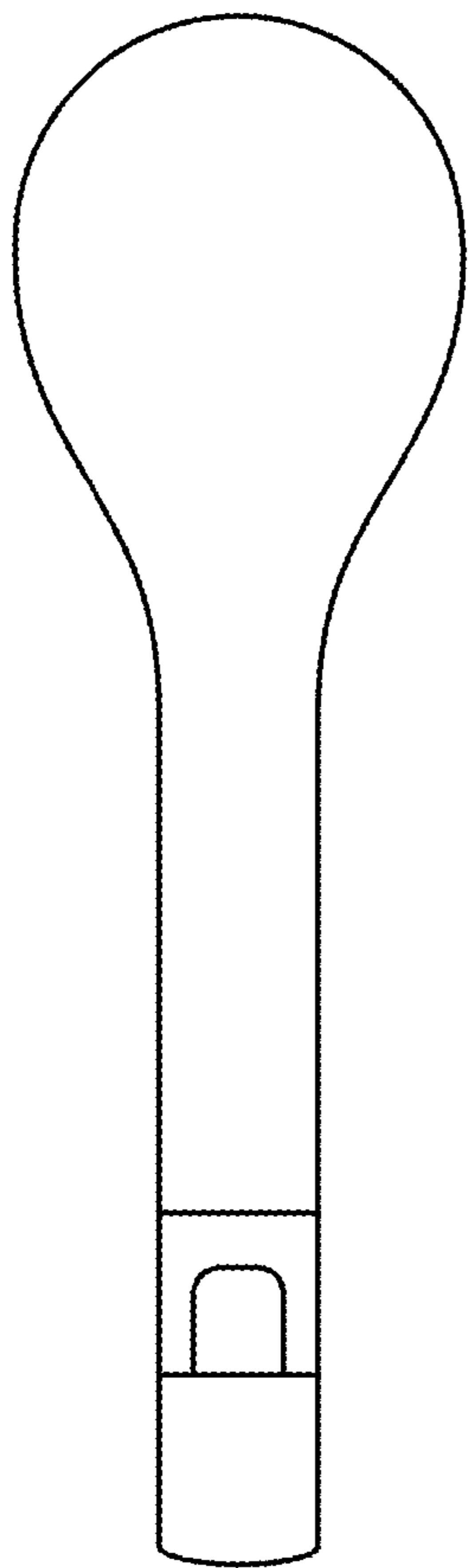
U.S. PATENT DOCUMENTS

D737,760 S *	9/2015	Kyriakoulis	.....	D13/108	2015/0348697 A1*	12/2015	Graham	.....	H01F 27/2823 336/189
2015/0188339 A1*	7/2015	Green	.....	H02J 7/0042 320/108	2016/0064137 A1*	3/2016	Perez	.....	H01F 27/2823 336/90
2015/0244179 A1*	8/2015	Ritter	.....	H02J 5/005 307/104	2016/0064947 A1*	3/2016	Heresztyn	.....	H02J 5/005 307/104
					2016/0079781 A1*	3/2016	Kyriakoulis	.....	H02J 7/0044 320/114

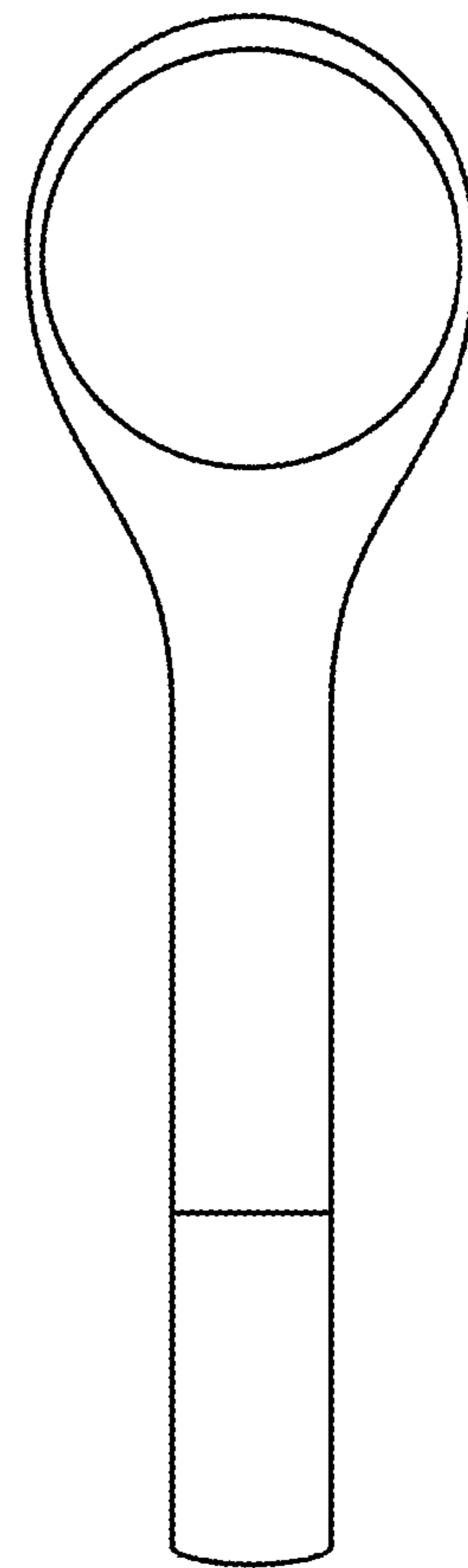
\* cited by examiner



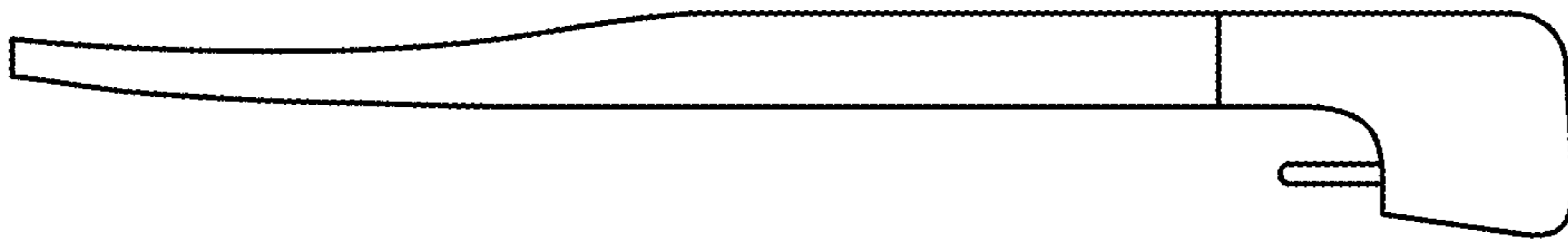
**FIG. 1**



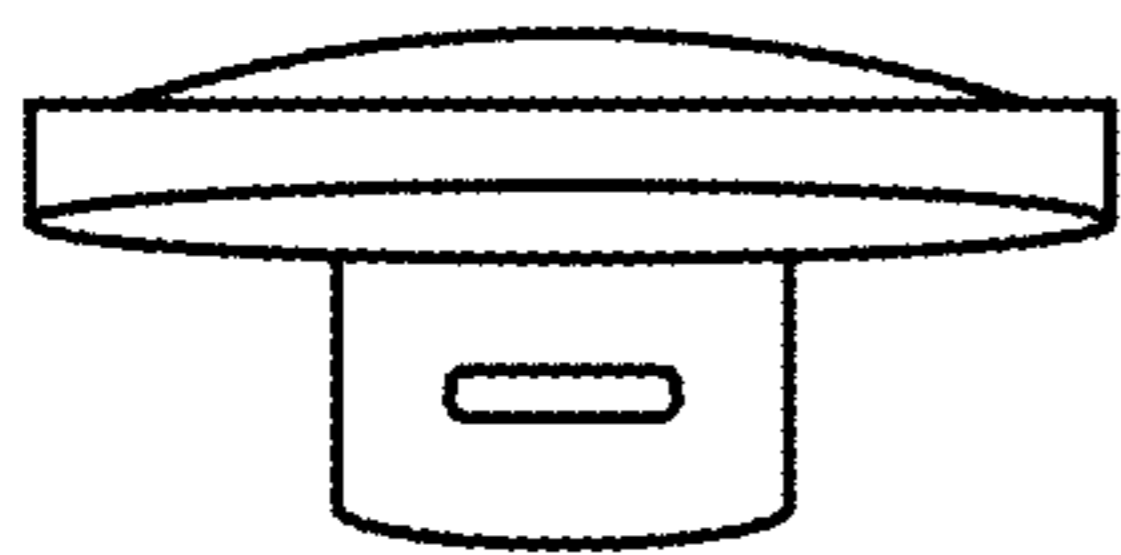
**FIG. 2**



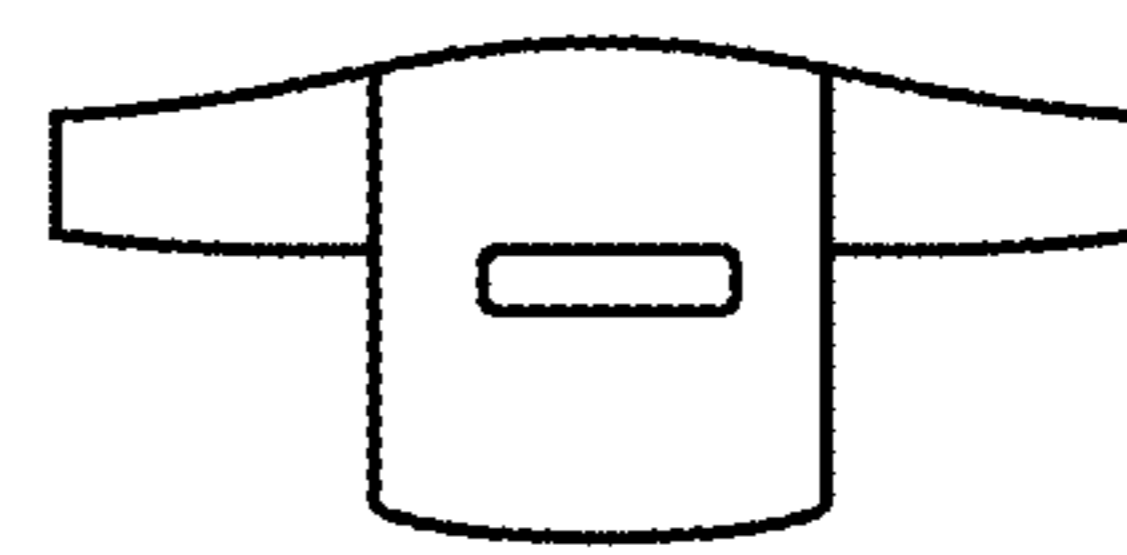
**FIG. 3**



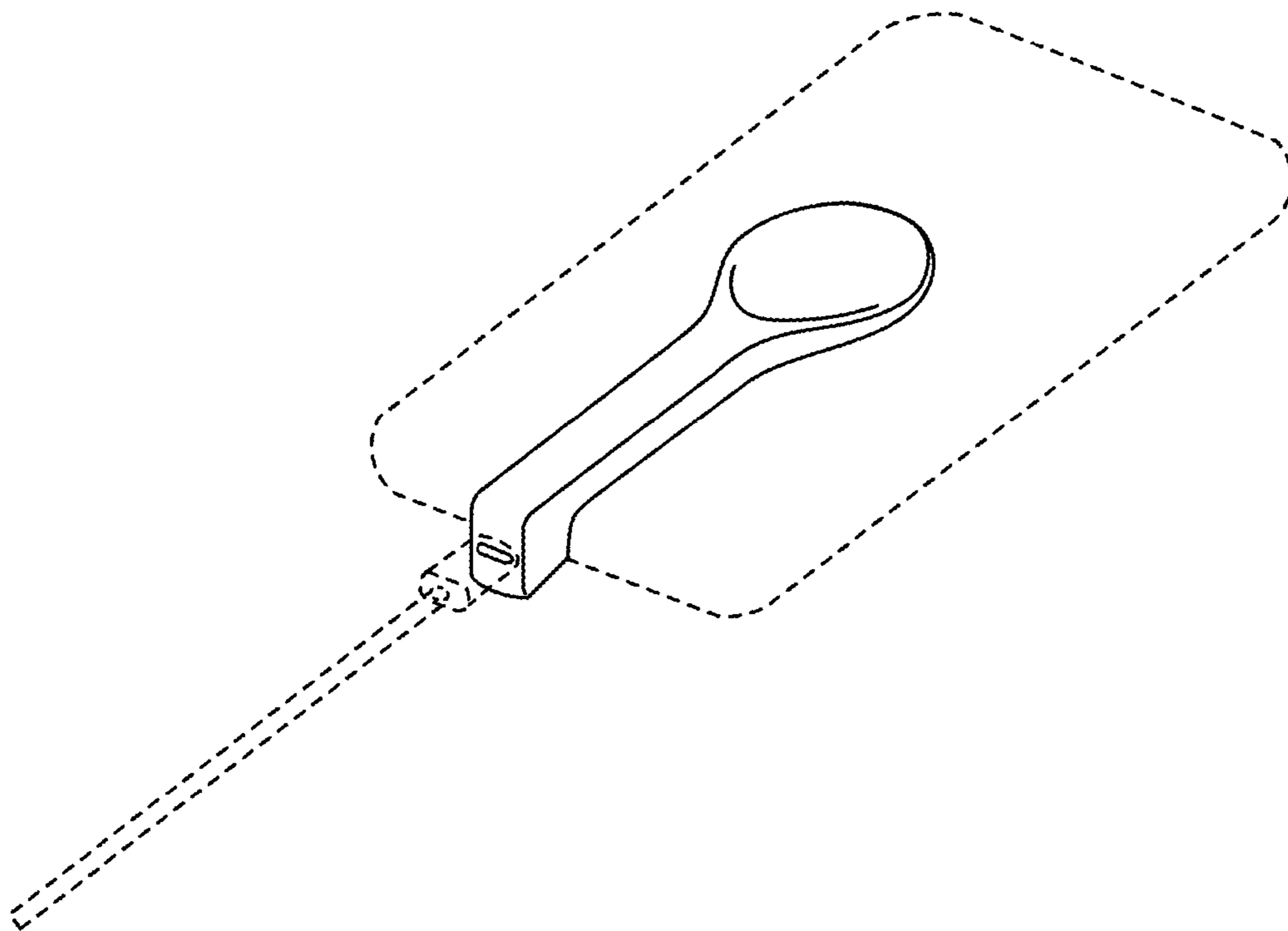
**FIG. 4**



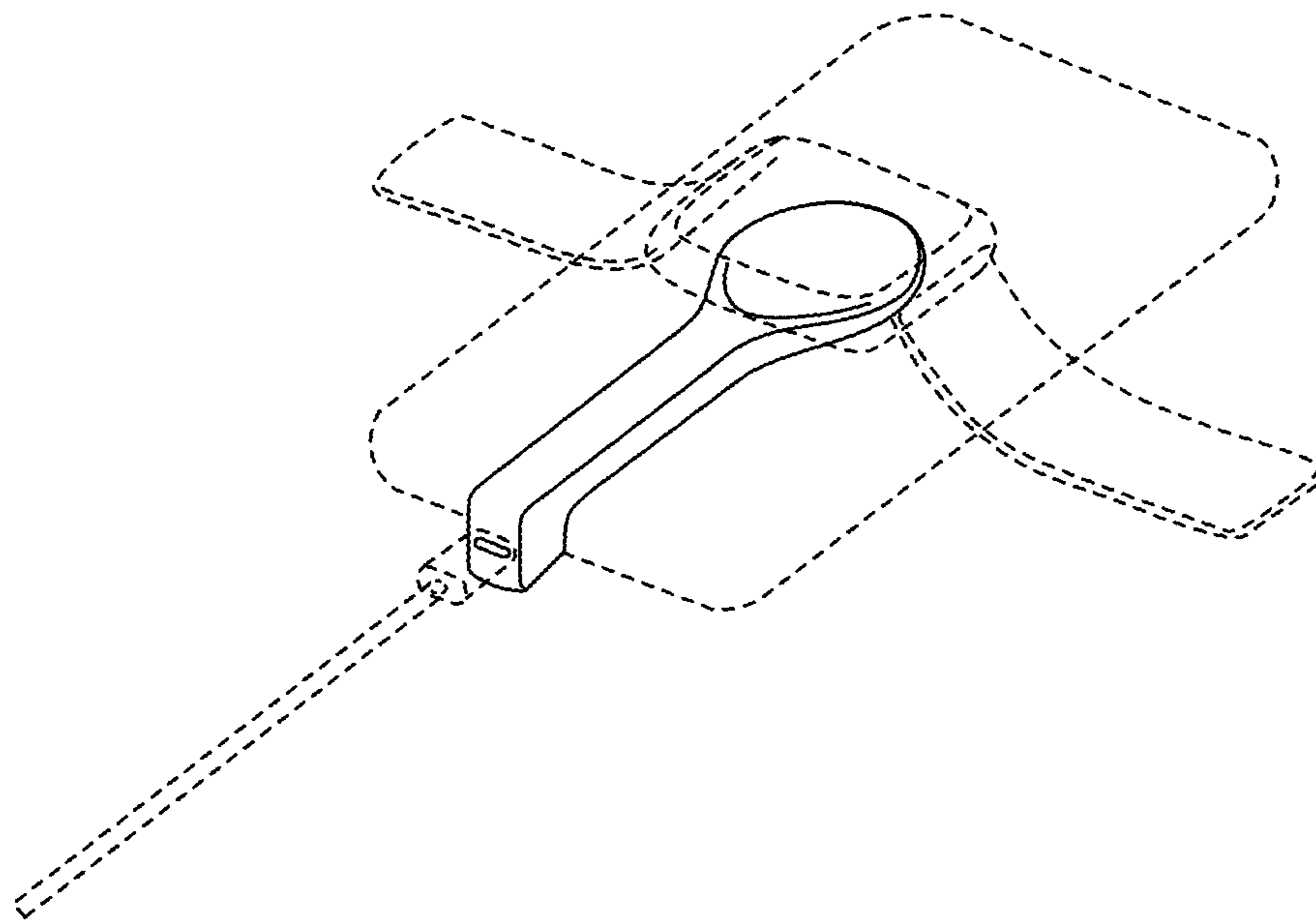
**FIG. 5**



**FIG. 6**



**FIG. 7**



**FIG. 8**