



US00D772157S

(12) **United States Design Patent** (10) **Patent No.:** **US D772,157 S**  
**Banerjee** (45) **Date of Patent:** **\*\* Nov. 22, 2016**

(54) **CURVED SOLAR PANEL**  
(71) Applicant: **Banmali Banerjee**, Edison, NJ (US)  
(72) Inventor: **Banmali Banerjee**, Edison, NJ (US)  
(\*\*) Term: **15 Years**  
(21) Appl. No.: **29/532,156**  
(22) Filed: **Jul. 2, 2015**  
(51) **LOC (10) Cl.** ..... **13-02**  
(52) **U.S. Cl.**  
USPC ..... **D13/102**  
(58) **Field of Classification Search**  
USPC ..... D13/102, 101, 103, 118, 119, 184, 199;  
126/561, 667; 136/206, 244, 251, 291,  
136/292; 438/597  
CPC ..... Y02E 10/47; Y02E 10/50; Y02E 10/52;  
H02S 20/00; F24J 2/5237  
See application file for complete search history.

8,327,838 B1 \* 12/2012 Ochadlick ..... F24J 2/14  
126/569  
D679,242 S \* 4/2013 Conger ..... D13/102  
8,429,861 B2 \* 4/2013 Conger ..... F24J 2/5241  
52/146  
D741,255 S \* 10/2015 Harryson ..... D13/102  
D751,976 S \* 3/2016 Mackler ..... D13/102  
2011/0088686 A1 \* 4/2011 Hochberg ..... F24J 2/145  
126/600  
2013/0092155 A1 \* 4/2013 McCord ..... F24J 2/38  
126/601  
2014/0117190 A1 \* 5/2014 Werner ..... F24J 2/14  
248/346.03  
2014/0270740 A1 \* 9/2014 O'Rourke ..... F24J 2/055  
392/478  
2014/0345602 A1 \* 11/2014 Takashima ..... F24J 2/14  
126/694  
2015/0059819 A1 \* 3/2015 Nomura ..... H02S 40/22  
136/206  
2015/0276270 A1 \* 10/2015 Manning ..... F24J 2/14  
359/850

\* cited by examiner

*Primary Examiner* — Derrick Holland  
*Assistant Examiner* — Jennifer O King  
(74) *Attorney, Agent, or Firm* — Michael J. Feigin, Esq.;  
Feigin & Fridman

(56) **References Cited**

U.S. PATENT DOCUMENTS

D258,141 S \* 2/1981 Robbins, Jr. .... D13/102  
4,262,654 A \* 4/1981 Ward ..... F24J 2/06  
126/580  
4,274,394 A \* 6/1981 Stromberg ..... F24J 2/14  
126/581  
4,306,540 A \* 12/1981 Hutchison ..... F24J 2/14  
126/607  
4,359,041 A \* 11/1982 Snodgrass ..... F24J 2/14  
126/608  
4,386,600 A \* 6/1983 Eggert, Jr. .... F24J 2/14  
126/573  
4,515,148 A \* 5/1985 Boy-Marcotte ..... F24J 2/145  
126/570  
5,865,905 A \* 2/1999 Clemens ..... H01L 31/0547  
126/624  
6,363,928 B1 \* 4/2002 Anderson, Jr. .... F24J 2/14  
126/573  
D655,672 S \* 3/2012 Conger ..... D13/102  
D669,846 S \* 10/2012 Conger ..... D13/102

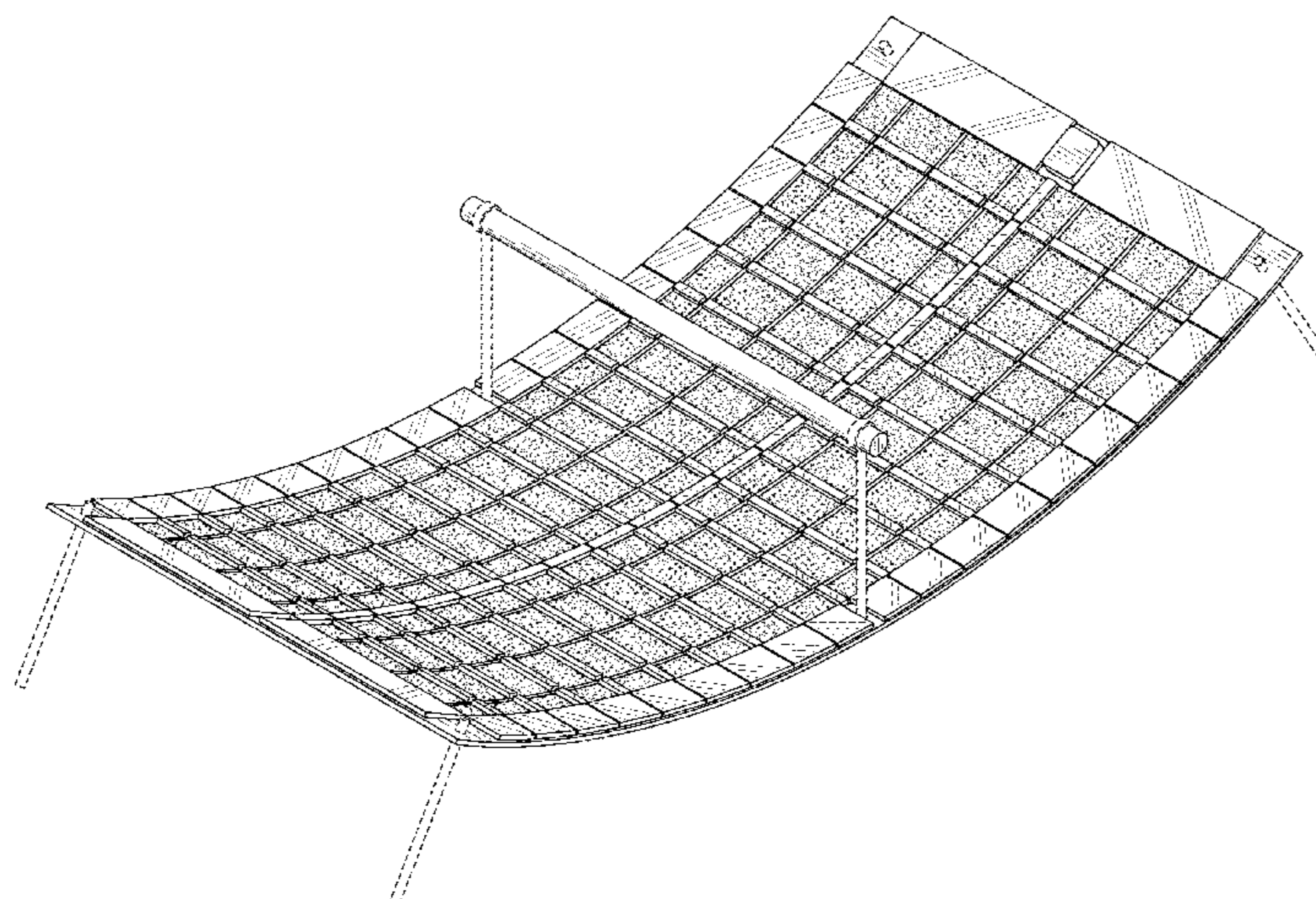
(57) **CLAIM**

The ornamental design for a curved solar panel, as shown and described.

**DESCRIPTION**

FIG. 1 shows a top perspective view of a curved solar panel; FIG. 2 shows a bottom perspective view thereof; FIG. 3 shows a top plan view thereof; FIG. 4 shows a bottom plan view thereof; FIG. 5 shows a side view thereof, other opposite side being a mirror image thereof; FIG. 6 shows an end view thereof; and, FIG. 7 shows another end view thereof. The broken lines shown represent unclaimed subject matter and form no part of the claimed design.

**1 Claim, 6 Drawing Sheets**





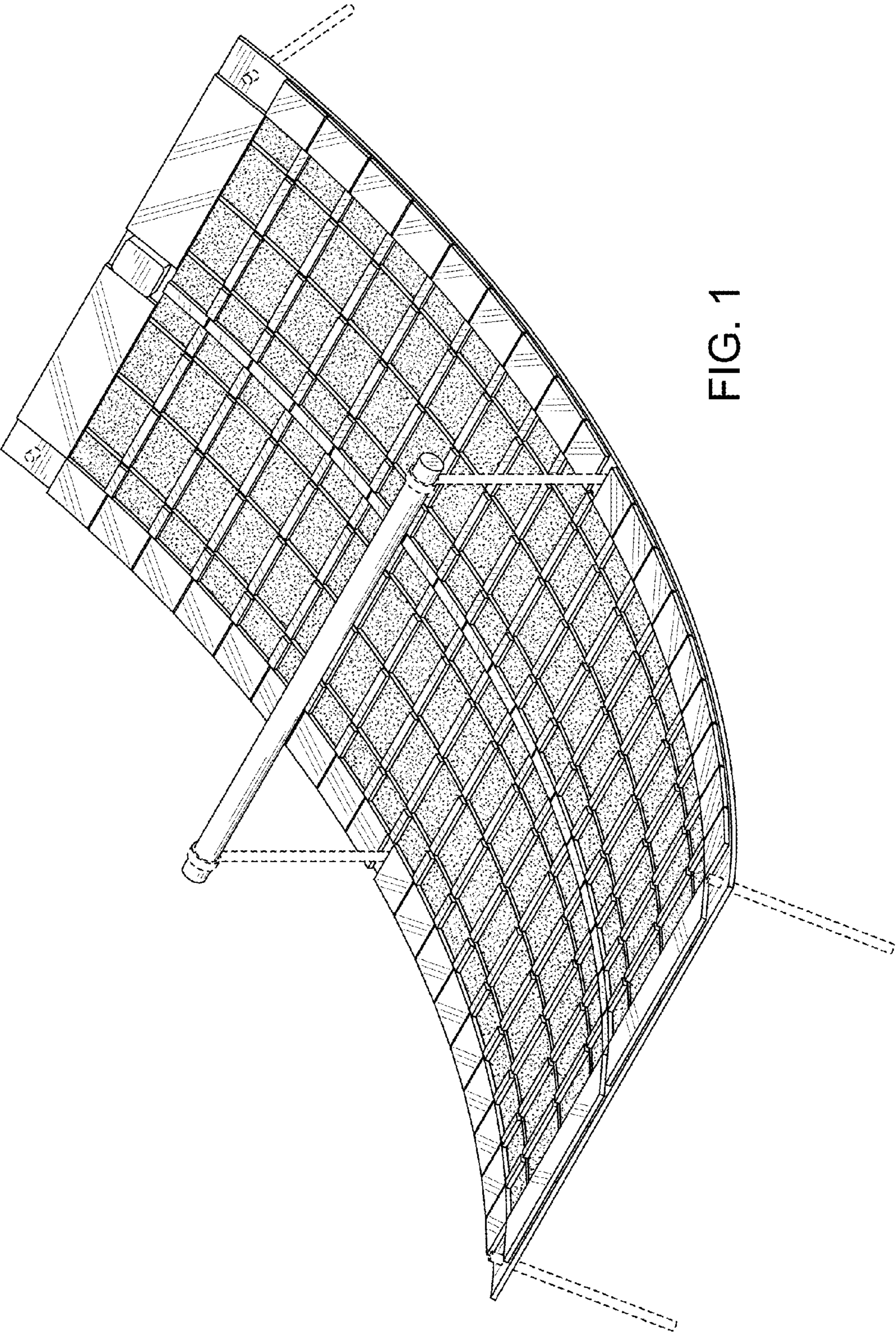
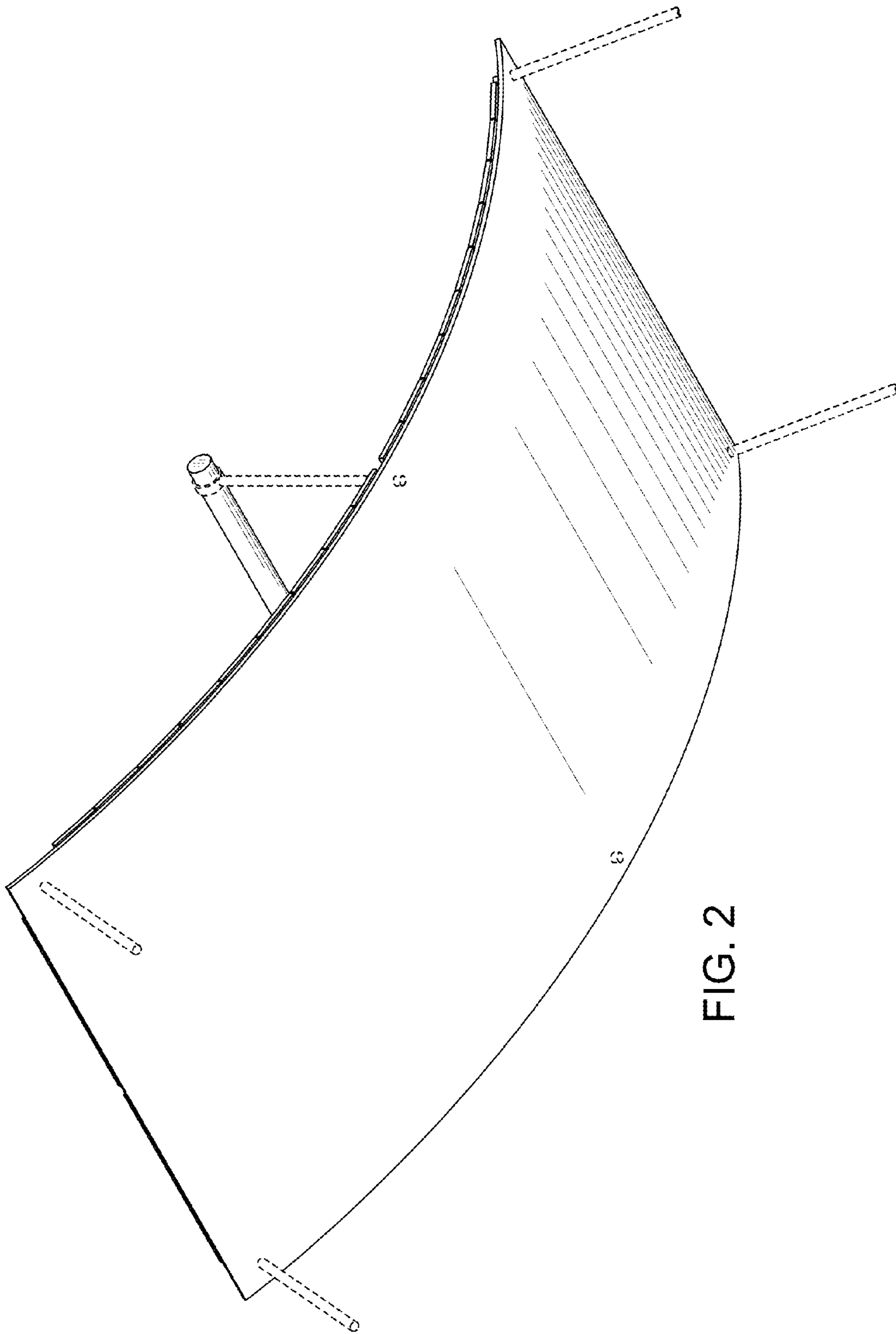


FIG. 1





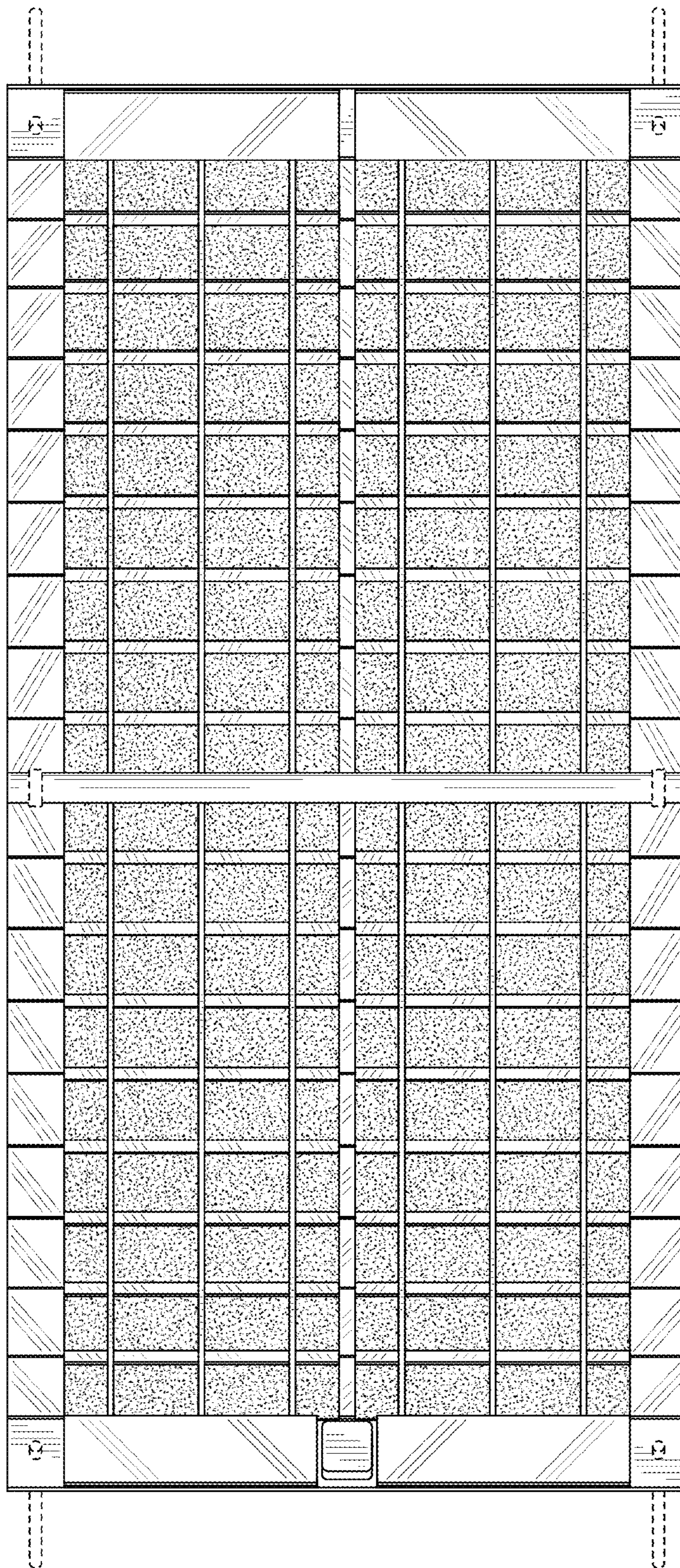


FIG. 3

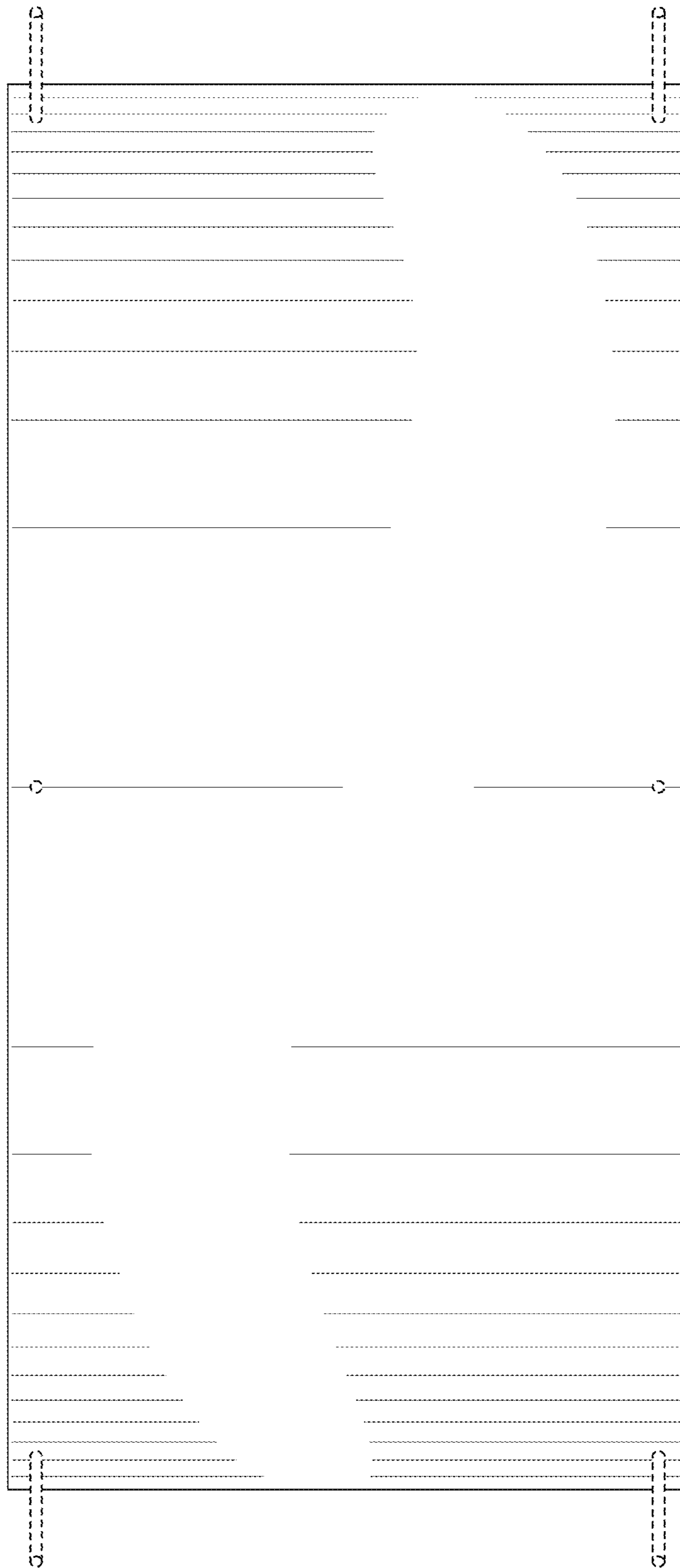


FIG. 4



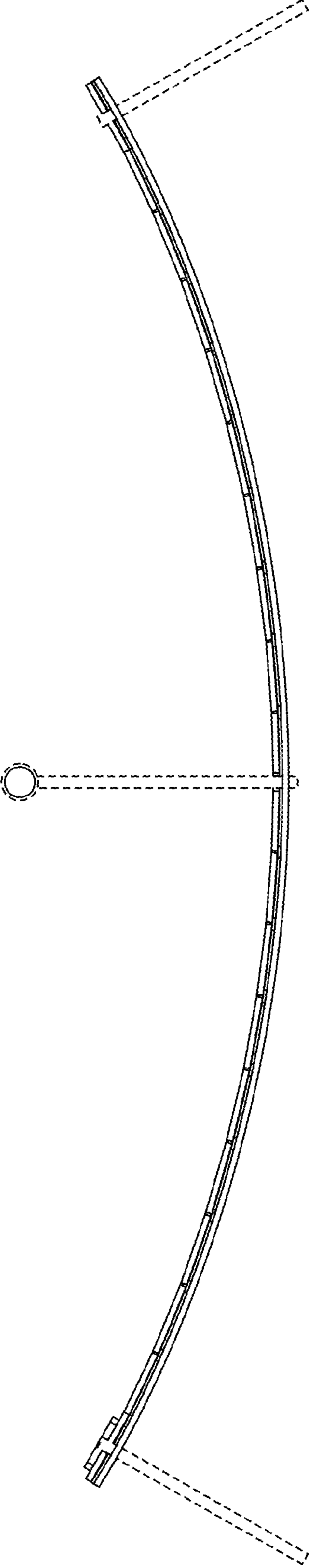


FIG. 5

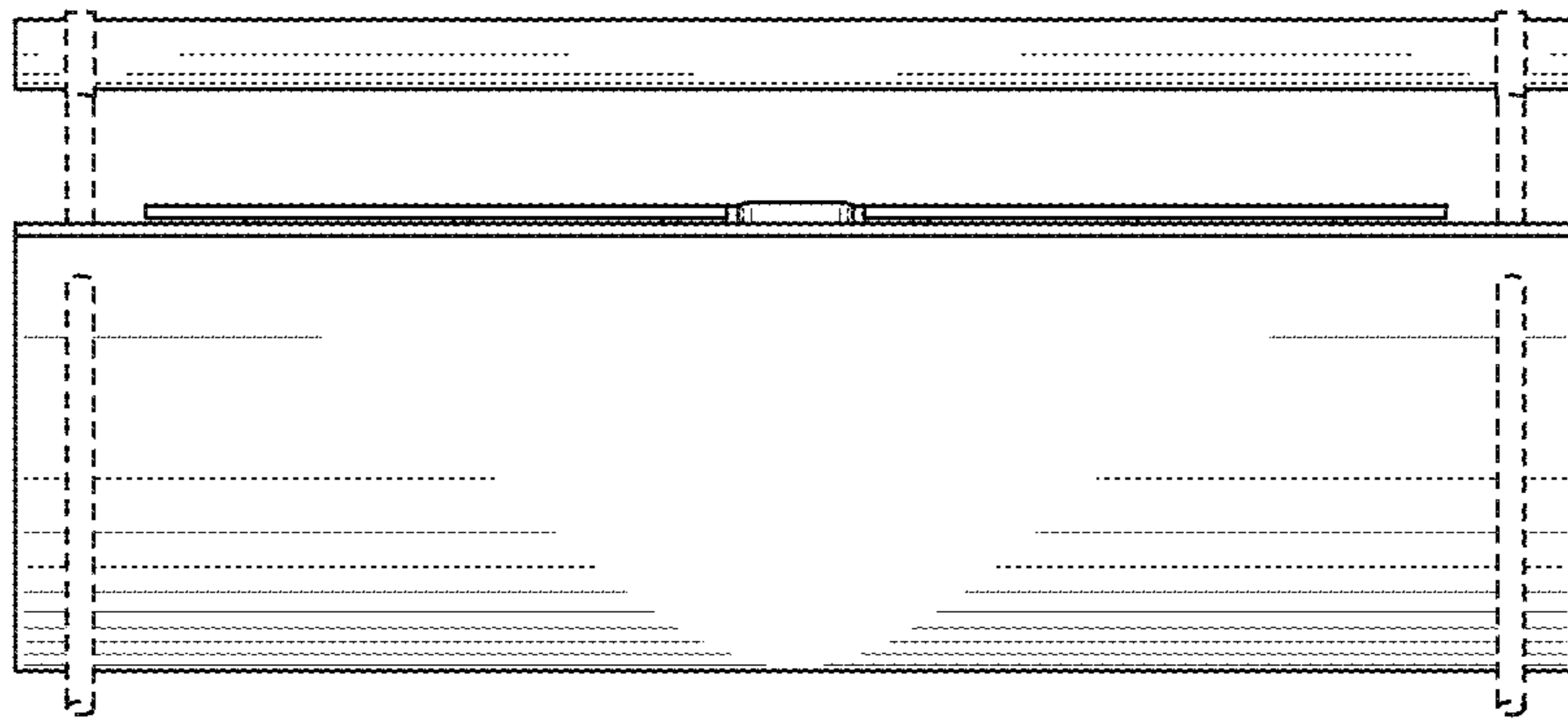


FIG. 6

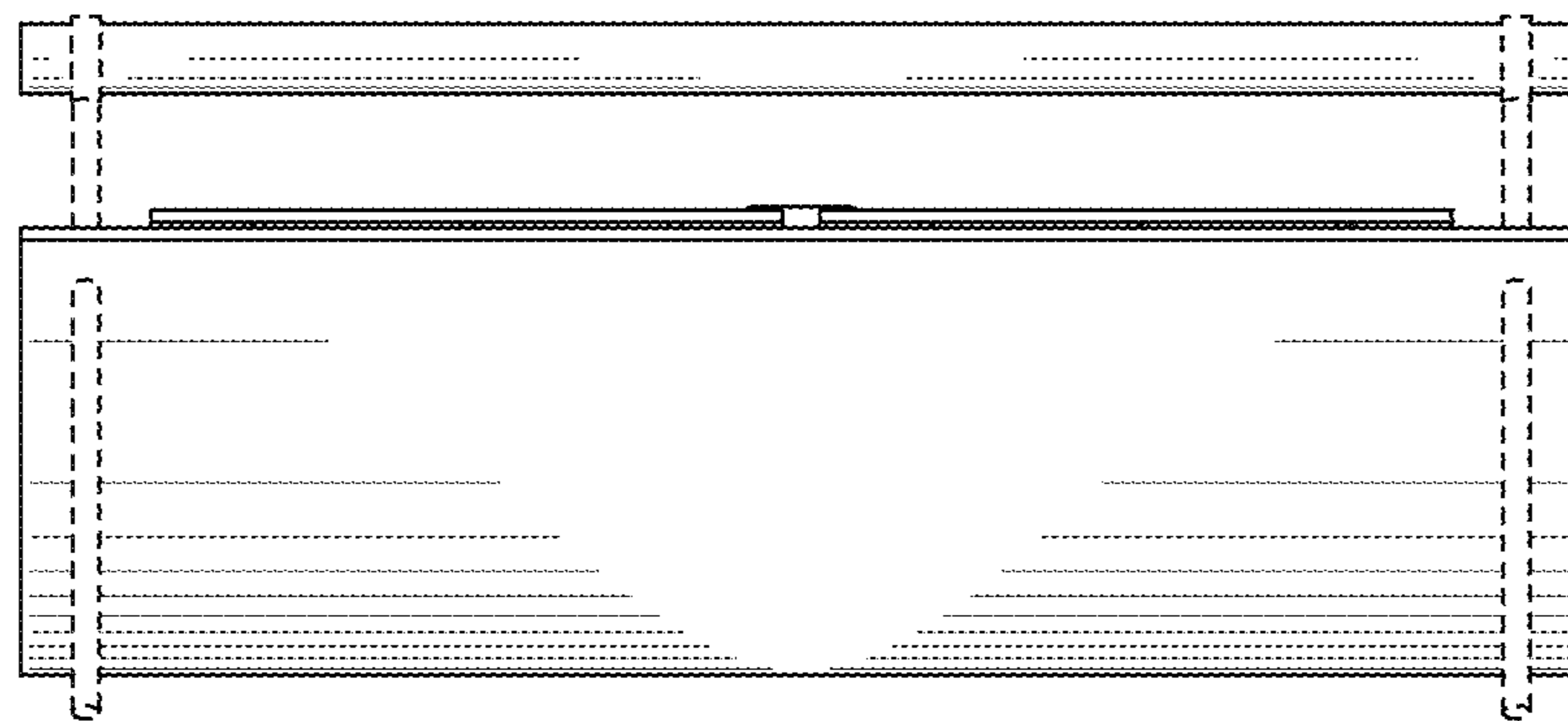


FIG. 7