



US00D772151S

(12) **United States Design Patent**
Kang

(10) **Patent No.:** **US D772,151 S**

(45) **Date of Patent:** **** Nov. 22, 2016**

(54) **TIRE TREAD**

(71) Applicant: **HANKOOK TIRE CO., LTD.**, Seoul (KR)

(72) Inventor: **Seung Koo Kang**, Seoul (KR)

(73) Assignee: **Hankook Tire Co., Ltd.**, Seoul (KR)

(**) Term: **14 Years**

(21) Appl. No.: **29/519,659**

(22) Filed: **Mar. 6, 2015**

(30) **Foreign Application Priority Data**

Sep. 12, 2014 (KR) 30-2014-0044225

(51) **LOC (10) Cl.** **12-15**

(52) **U.S. Cl.**
USPC **D12/588**

(58) **Field of Classification Search**
USPC D12/559, 564, 594, 595, 598, 600, 601, D12/602, 603
CPC B60C 11/0306
See application file for complete search history.

(56) **References Cited**

U.S. PATENT DOCUMENTS

D292,078 S *	9/1987	Takeuchi	D12/590
D481,992 S *	11/2003	Harden, Jr.	D12/595
D484,092 S *	12/2003	Okamoto	D12/600
D502,444 S *	3/2005	Wage	D12/588
D609,170 S *	2/2010	Feider	D12/588
D610,076 S *	2/2010	Tobino	D12/600
D640,627 S *	6/2011	Durand	D12/601
D646,624 S *	10/2011	Yamaguchi	D12/584
D647,041 S *	10/2011	Kojima	D12/600

D674,740 S *	1/2013	Mathonet	D12/588
D727,249 S *	4/2015	Rolland	D12/583
D738,294 S *	9/2015	Koog	D12/584
D742,810 S *	11/2015	Tian	D12/589
D743,327 S *	11/2015	Schimmoeller	D12/588
D746,225 S *	12/2015	Koog	D12/600

* cited by examiner

Primary Examiner — Robert M Spear

(74) *Attorney, Agent, or Firm* — Hamre, Schumann, Mueller & Larson, P.C.

(57) **CLAIM**

The ornamental design for a tire tread, as shown and described.

DESCRIPTION

FIG. 1 is a perspective view of a tire tread showing my new design, it being understood that the pattern is repeated uniformly throughout the circumference of the tread; FIG. 2 is a front elevational view thereof; FIG. 3 is a rear elevational view thereof; FIG. 4 is a left side view thereof; FIG. 5 is a right side view thereof; FIG. 6 is a top plan view thereof; FIG. 7 is a bottom plan view thereof; and, FIG. 8 is an enlarged fragmentary view from upper 8-8 to lower 8-8 in FIG. 2.

In the drawings, the broken lines depict environmental subject matter only and forms no part of the claimed design. The dash-dot-dash broken lines define the boundary of the tire tread and form no part of the claimed design. Surface shading lines form no part of the claimed design.

1 Claim, 8 Drawing Sheets

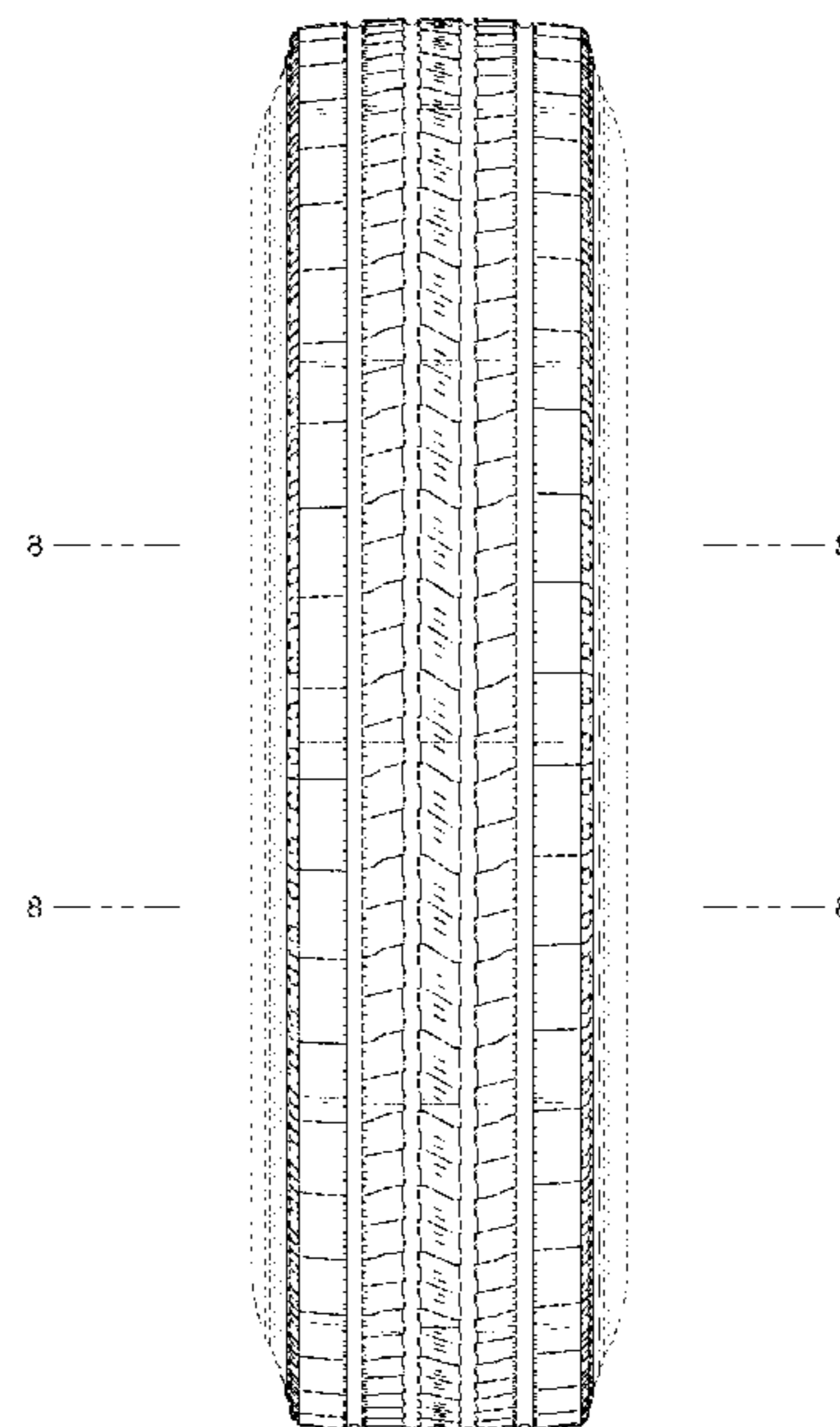
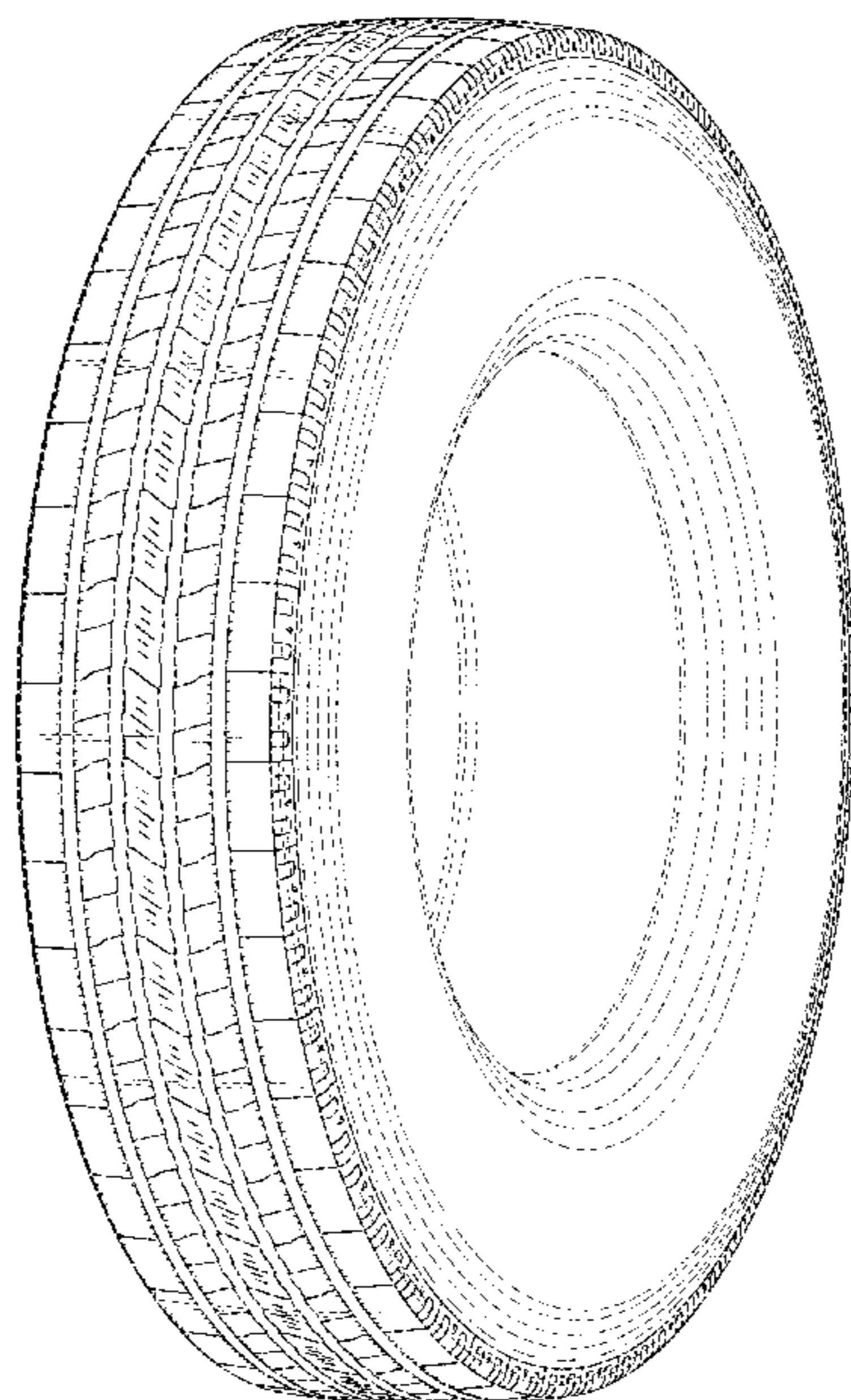


Fig. 1

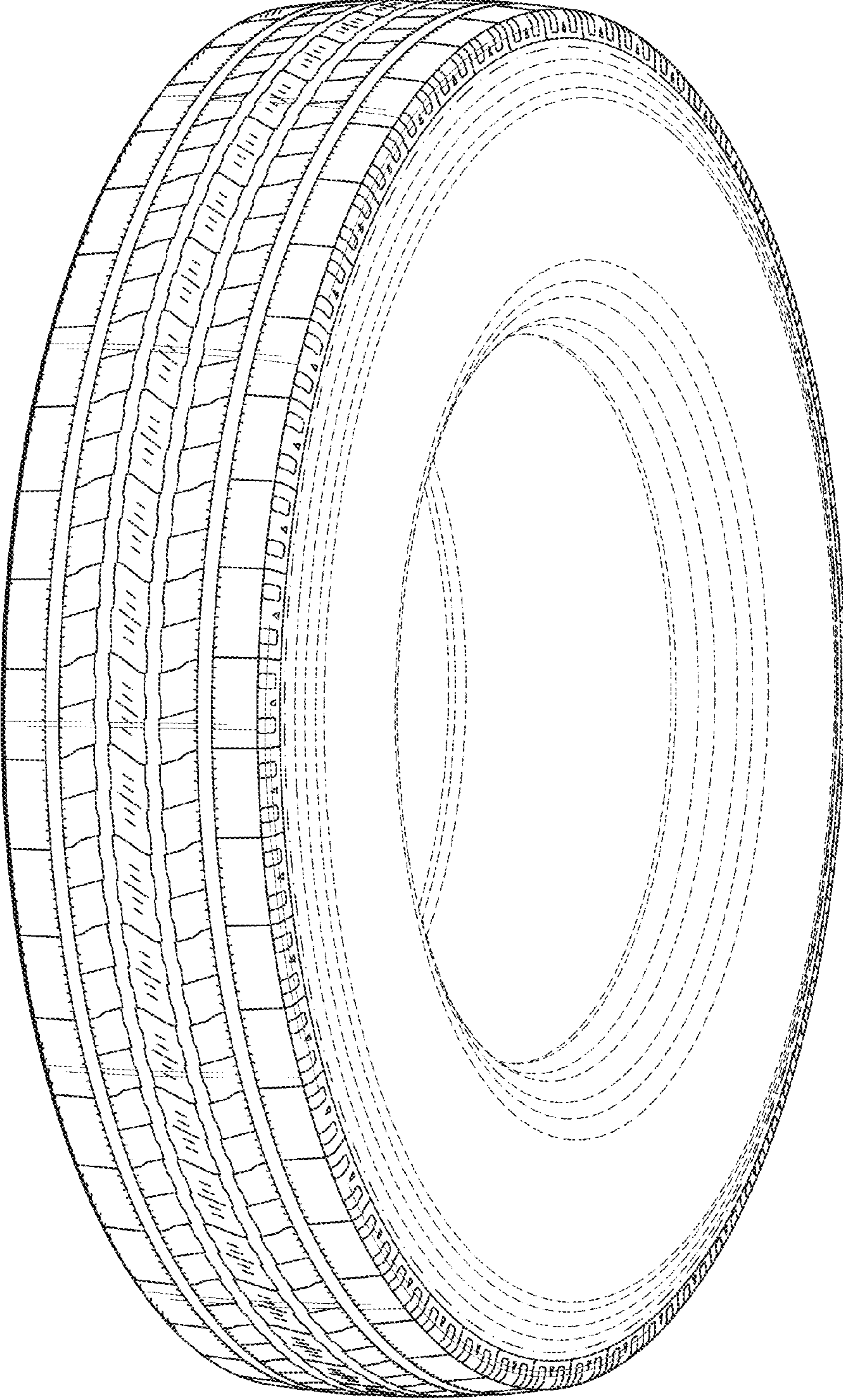


Fig. 2

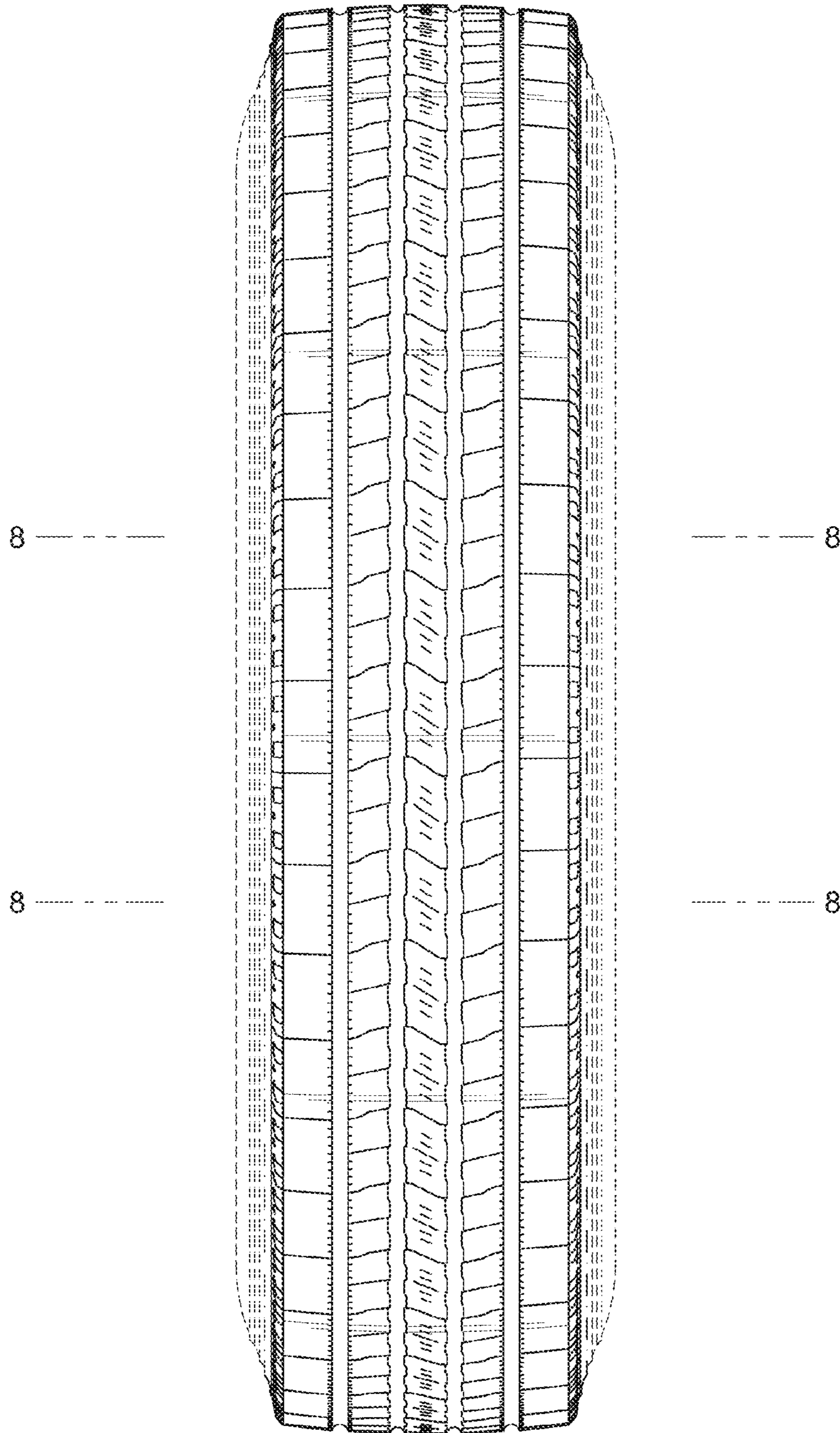


Fig. 3

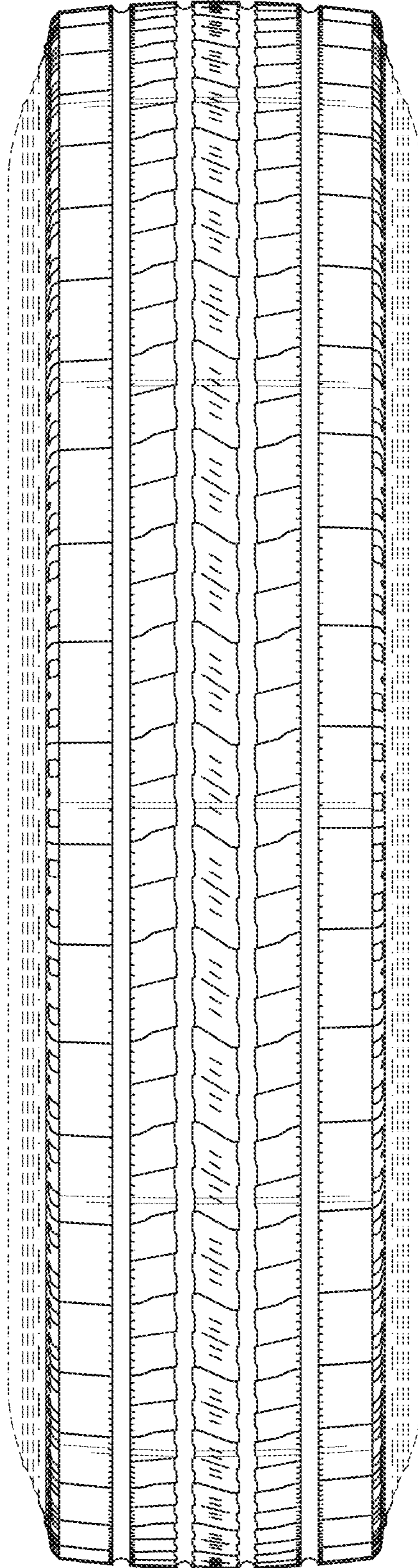


Fig. 4

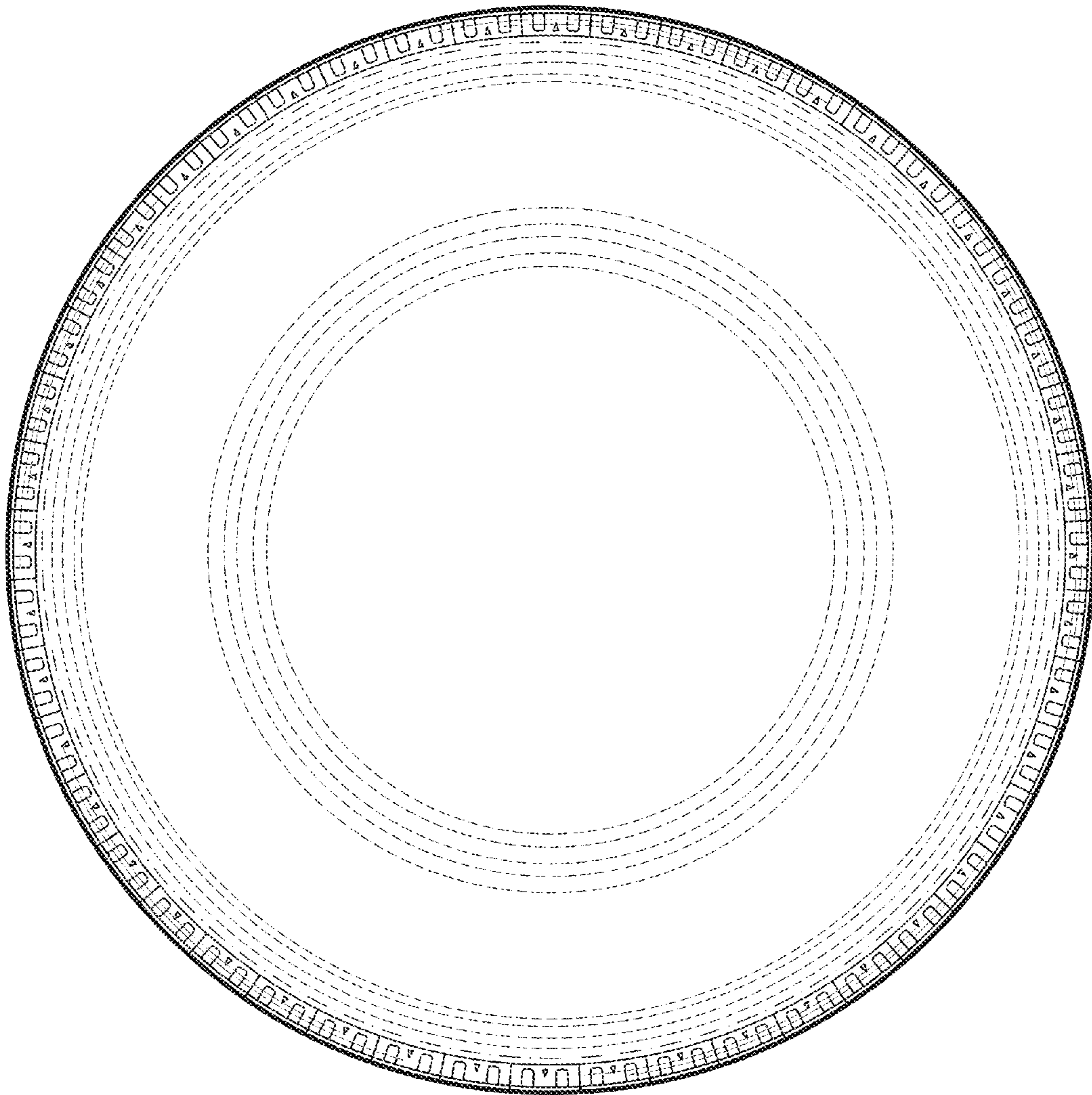


Fig. 5

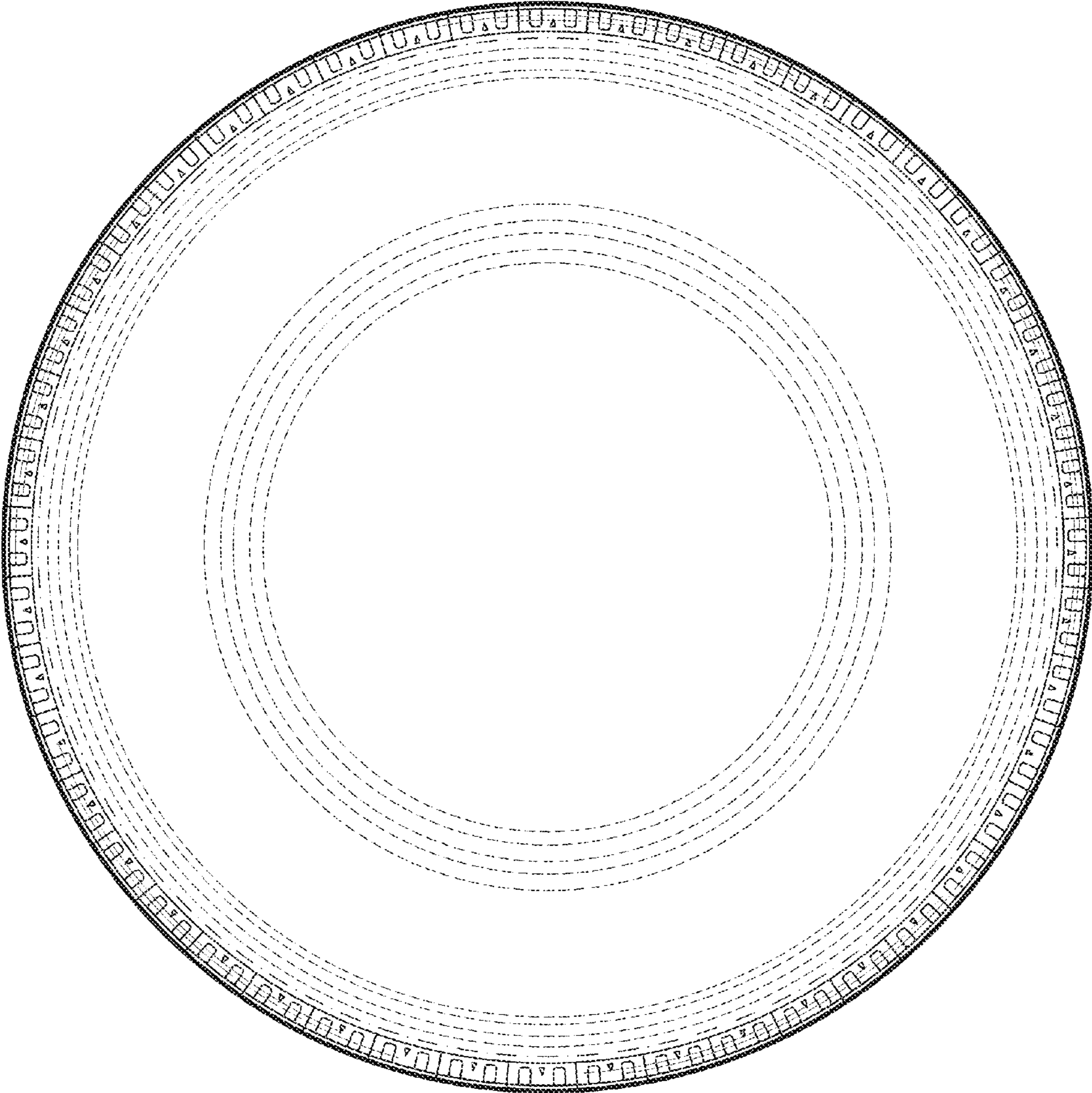


Fig. 6

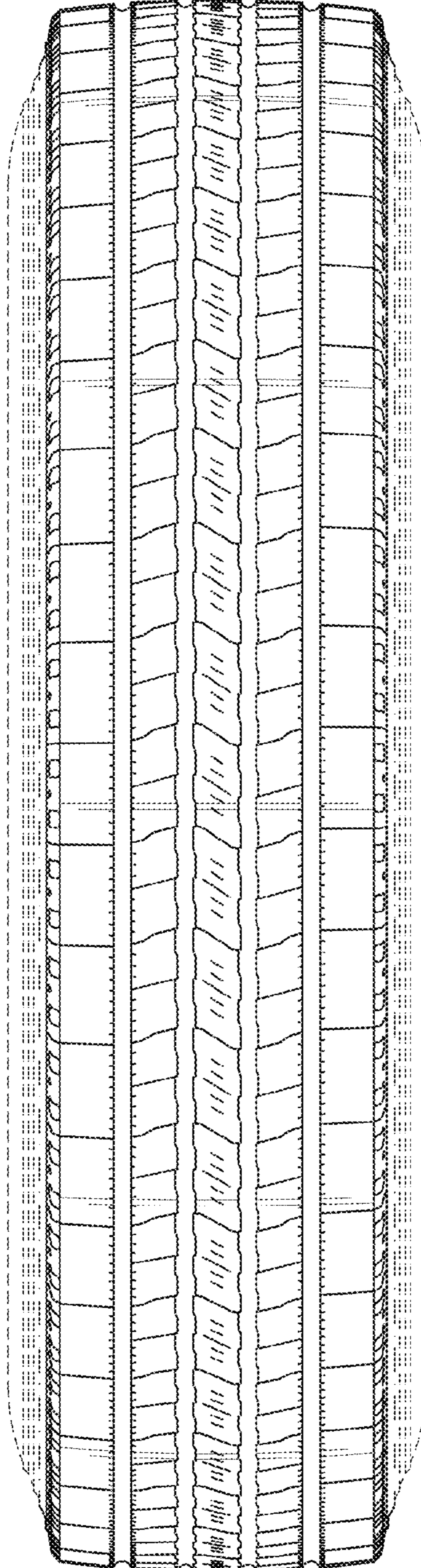


Fig. 7

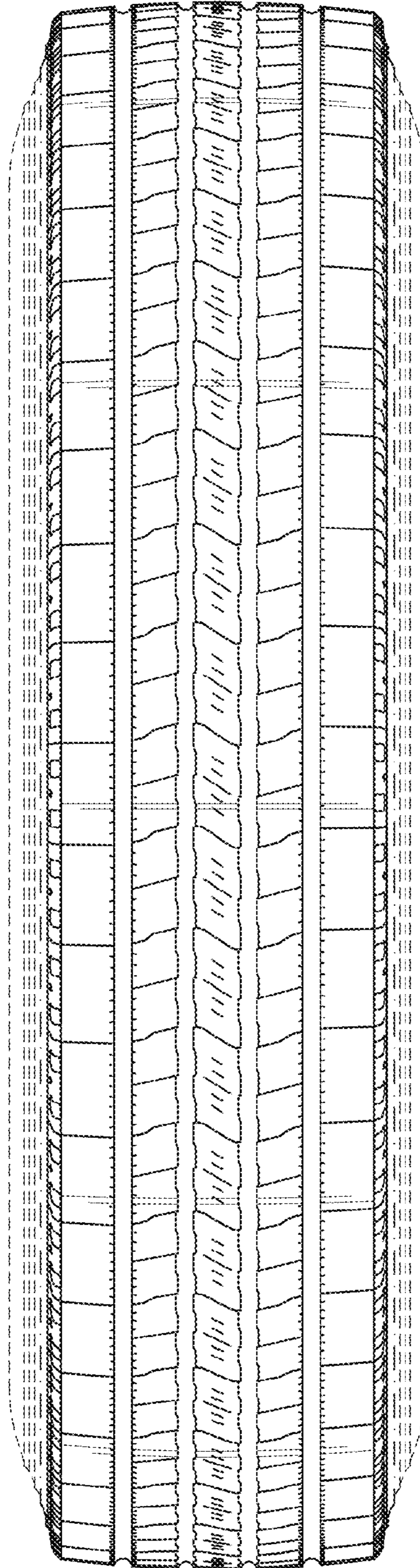


Fig. 8

