



US00D772149S

(12) **United States Design Patent**  
**Kwak**

(10) **Patent No.:** **US D772,149 S**

(45) **Date of Patent:** **\*\* Nov. 22, 2016**

(54) **TIRE TREAD**

(71) Applicant: **HANKOOK TIRE CO., LTD.**, Seoul (KR)

(72) Inventor: **Seung Ju Kwak**, Seoul (KR)

(73) Assignee: **Hankook Tire Co., Ltd.**, Seoul (KR)

(\*\*) Term: **14 Years**

(21) Appl. No.: **29/520,002**

(22) Filed: **Mar. 10, 2015**

(30) **Foreign Application Priority Data**

Sep. 12, 2014 (KR) ..... 30-2014-0044226

(51) **LOC (10) Cl.** ..... **12-15**

(52) **U.S. Cl.**  
USPC ..... **D12/587**; D12/588

(58) **Field of Classification Search**  
USPC ..... D12/559, 564, 594, 595, 598, 600, 601,  
D12/602, 603  
CPC ..... B60C 11/0306  
See application file for complete search history.

(56) **References Cited**

**U.S. PATENT DOCUMENTS**

D414,446 S *	9/1999	Kemp, Jr.	.....	D12/588
D610,076 S *	2/2010	Tobino	.....	D12/600
D616,356 S *	5/2010	Ohara	.....	D12/588
D637,150 S *	5/2011	Koshio	.....	D12/579
D642,974 S *	8/2011	Koshio	.....	D12/588
D648,673 S *	11/2011	Koog	.....	D12/600

D660,223 S *	5/2012	Dixon	.....	D12/600
D715,216 S *	10/2014	Dixon	.....	D12/600
D746,225 S *	12/2015	Koog	.....	D12/600

\* cited by examiner

*Primary Examiner* — Robert M Spear

(74) *Attorney, Agent, or Firm* — Hamre, Schumann, Mueller & Larson, P.C.

(57) **CLAIM**

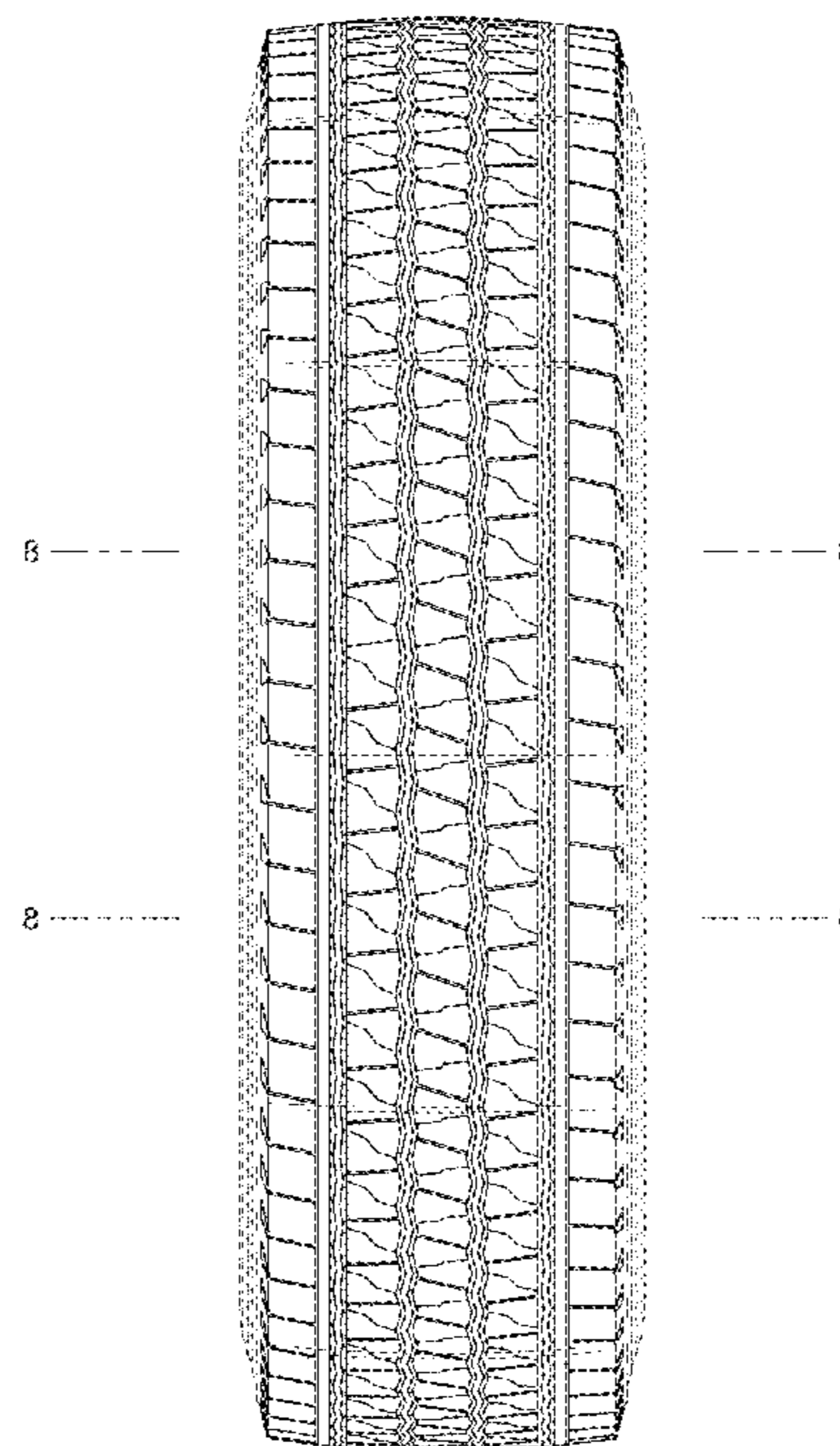
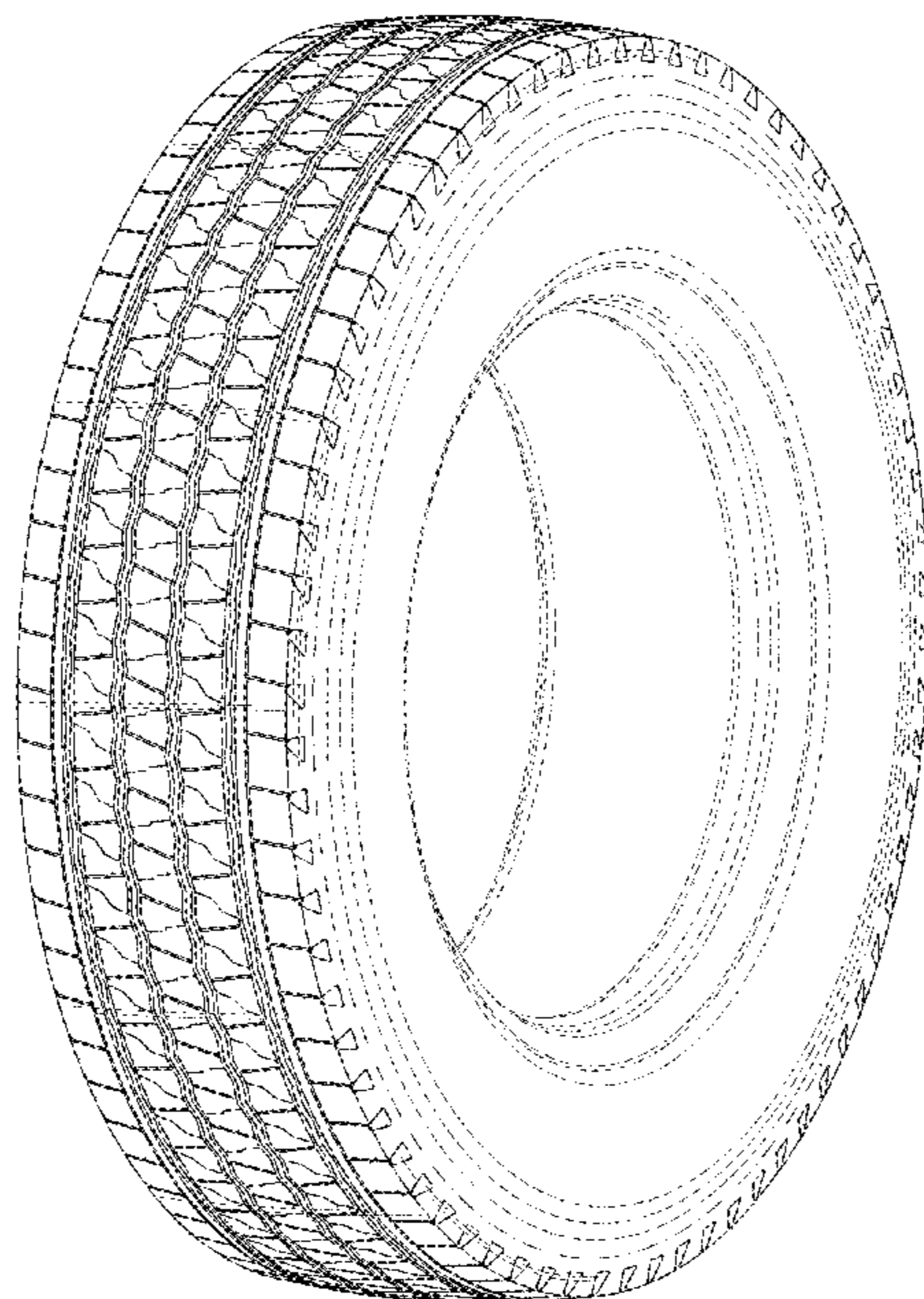
The ornamental design for a tire tread, as shown and described.

**DESCRIPTION**

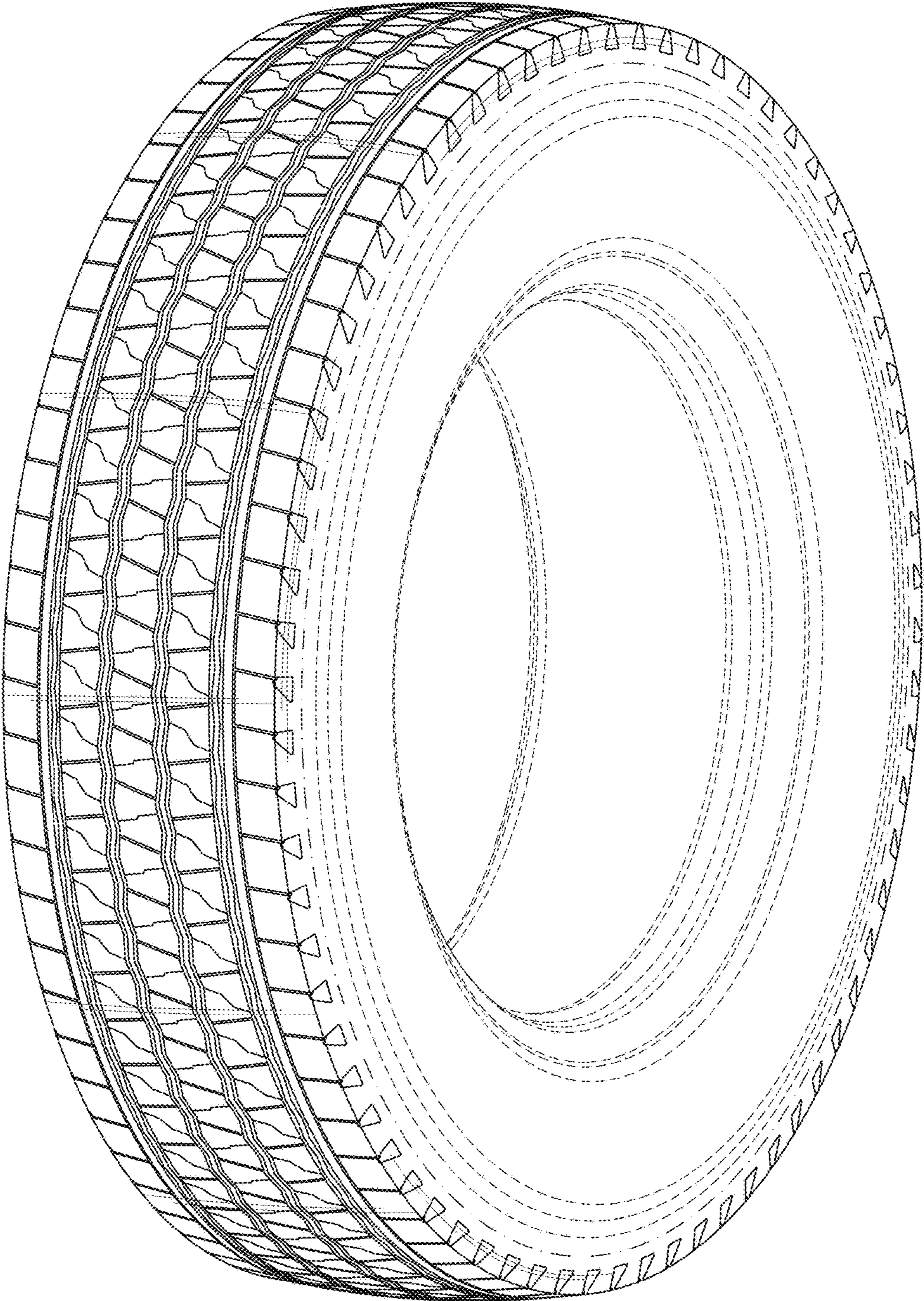
FIG. 1 is a perspective view of a tire tread showing my new design, it being understood that the pattern is repeated uniformly throughout the circumference of the tread; FIG. 2 is a front elevational view thereof; FIG. 3 is a rear elevational view thereof; FIG. 4 is a left side view thereof; FIG. 5 is a right side view thereof; FIG. 6 is a top plan view thereof; FIG. 7 is a bottom plan view thereof; and, FIG. 8 is an enlarged fragmentary view from upper 8-8 to lower 8-8 in FIG. 2.

In the drawings, the evenly-spaced broken lines depict environmental subject matter only and form no part of the claimed design. The dash-dot-dash broken lines define the boundary of the tire tread and form no part of the claimed design.

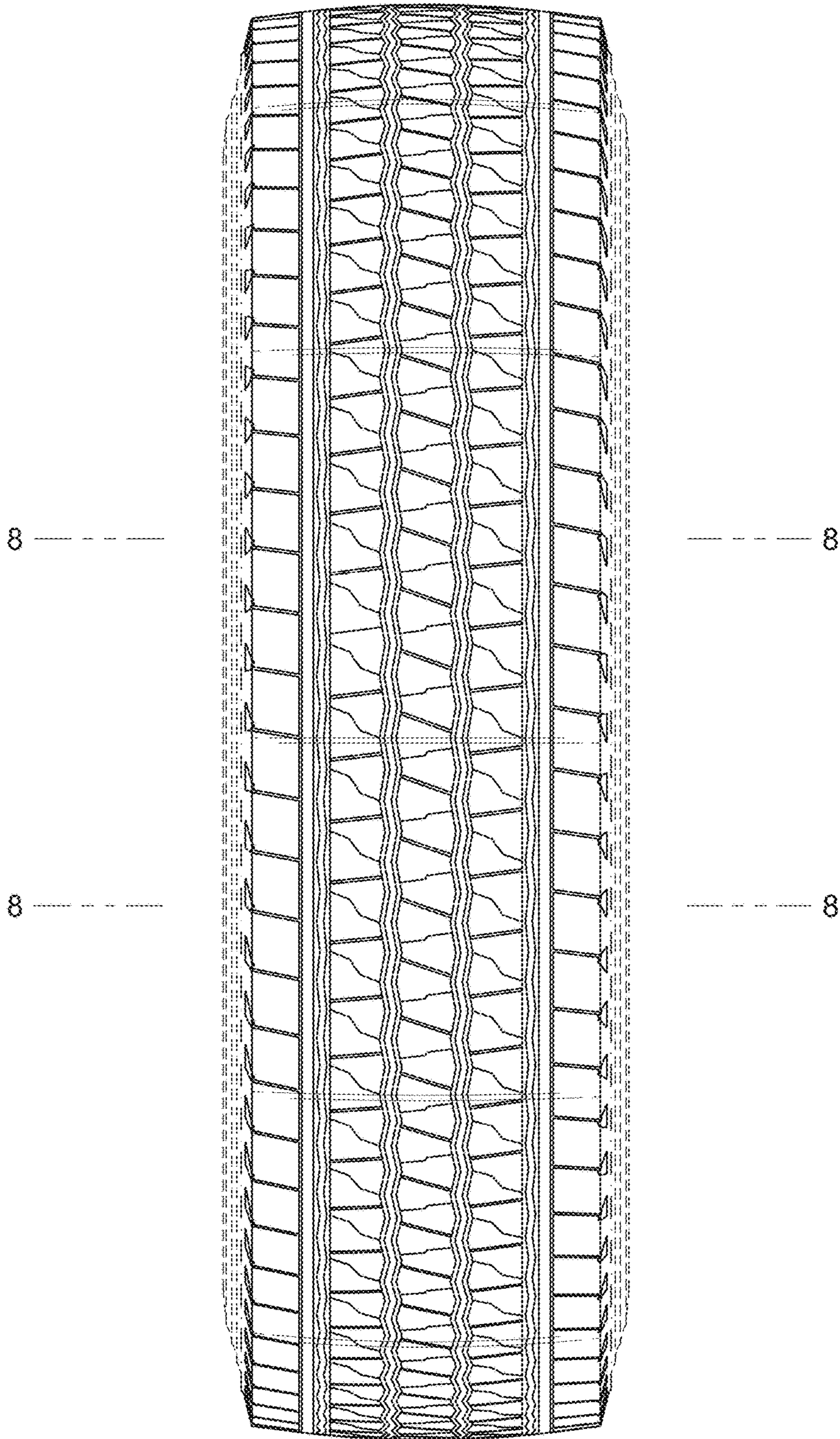
**1 Claim, 8 Drawing Sheets**



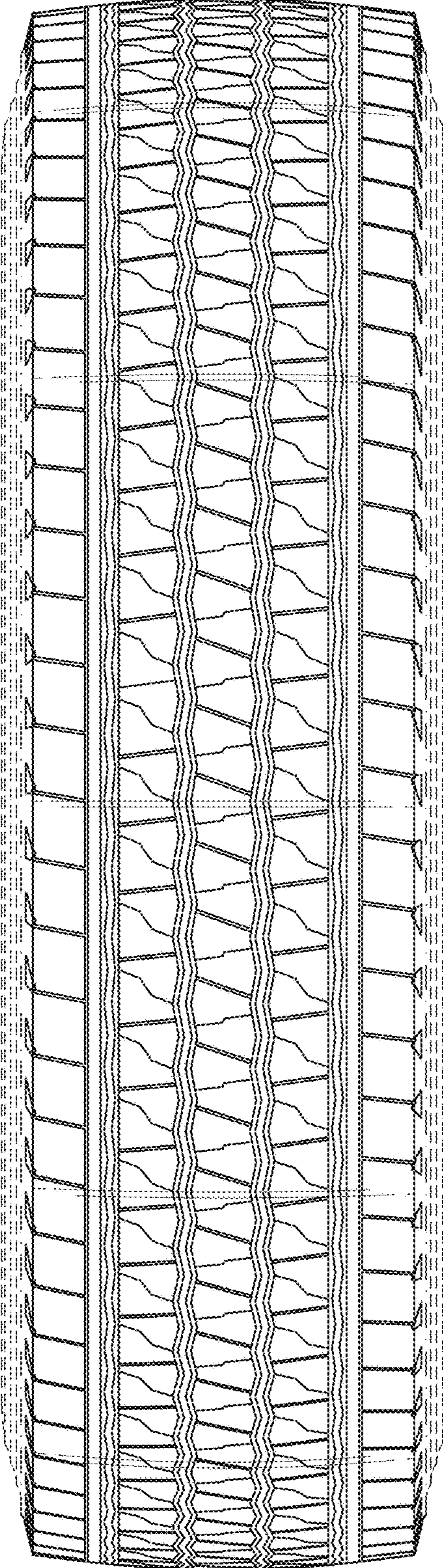
*Fig. 1*



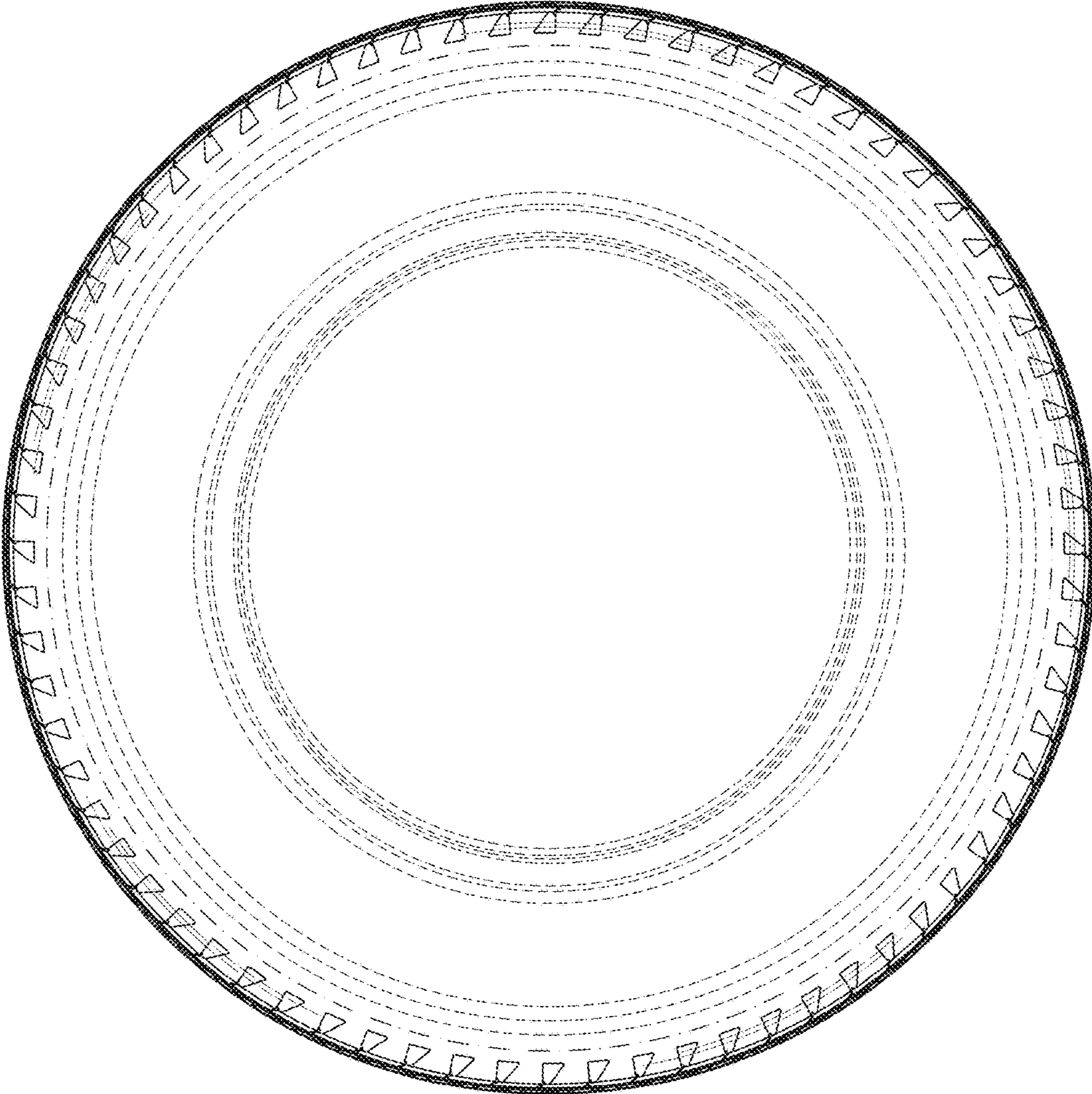
*Fig. 2*



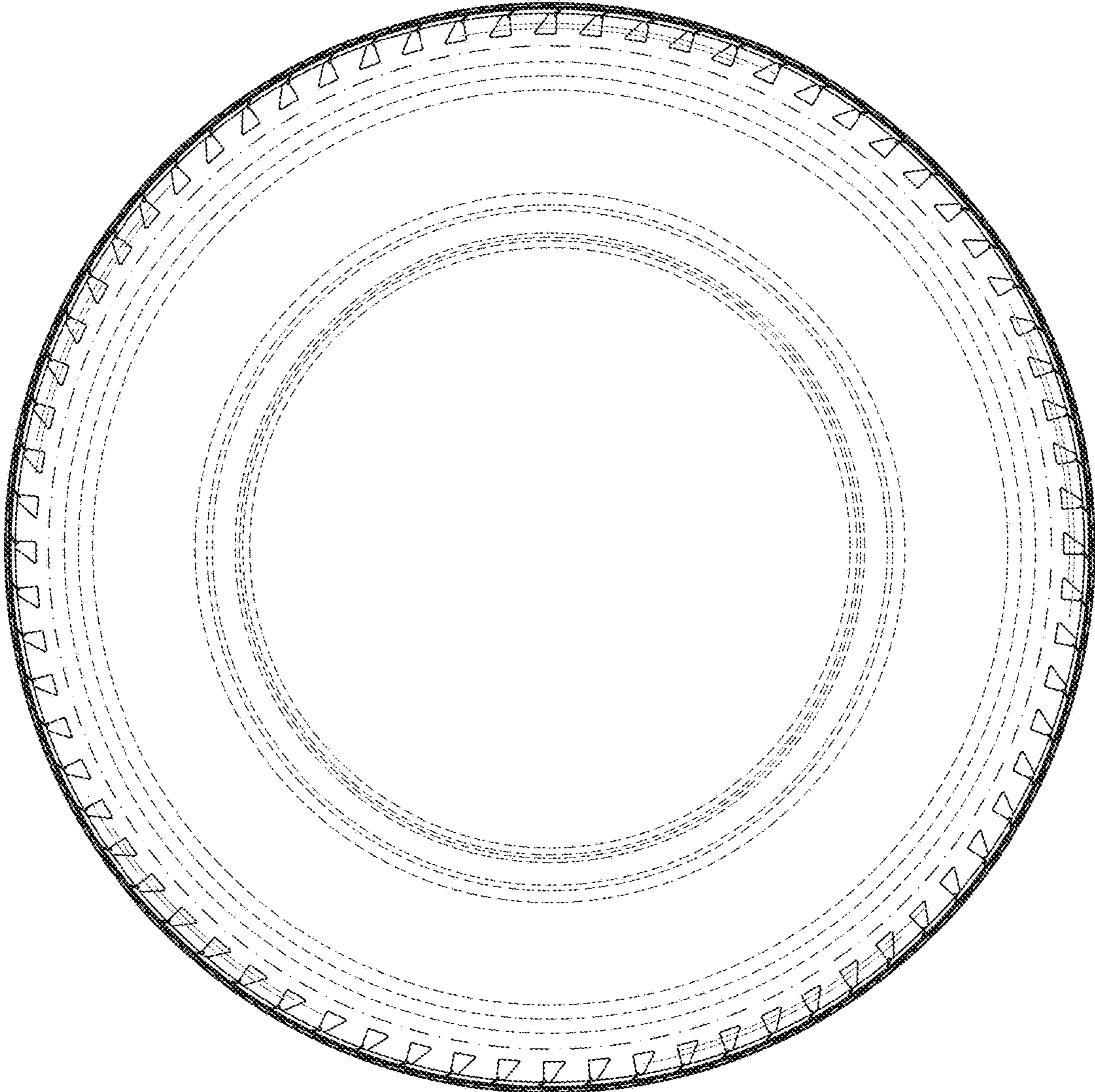
*Fig. 3*



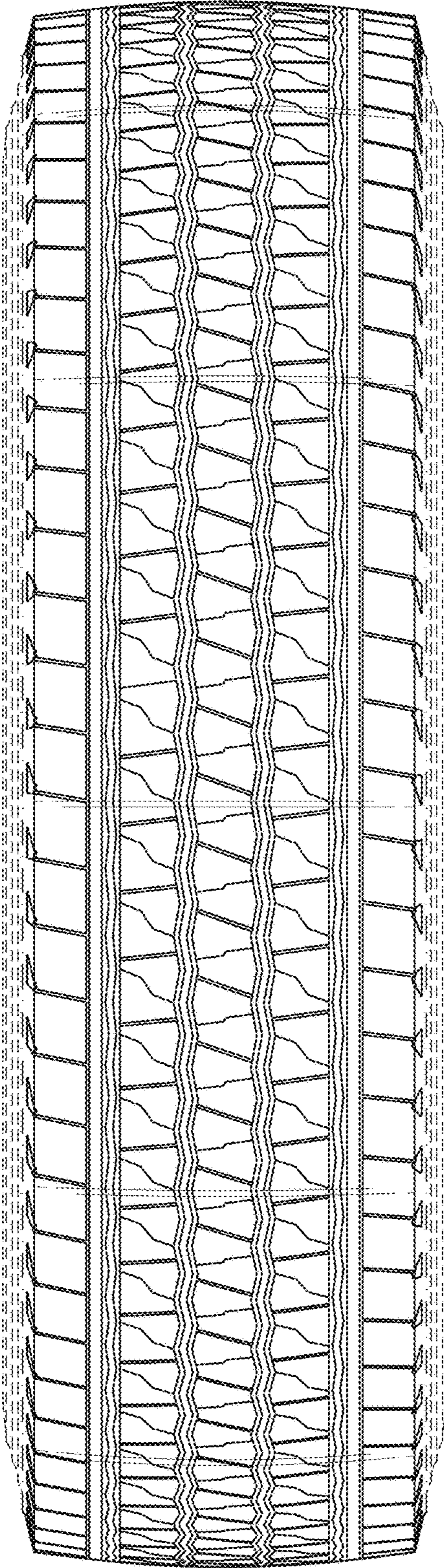
*Fig. 4*



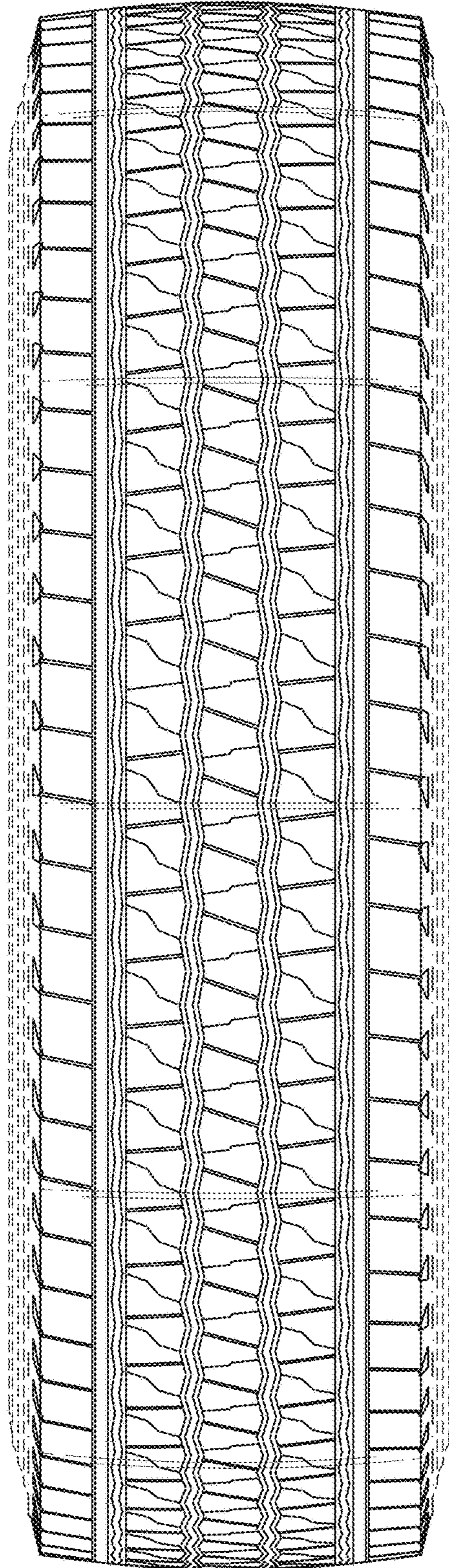
*Fig. 5*



*Fig. 6*



*Fig. 7*





*Fig. 8*

