



US00D772142S

(12) **United States Design Patent** (10) **Patent No.:** **US D772,142 S**
Masanek, Jr. et al. (45) **Date of Patent:** **** Nov. 22, 2016**

- (54) **CARGO ORGANIZER**
- (71) Applicant: **MacNeil IP LLC**, Bolingbrook, IL (US)
- (72) Inventors: **Frederick W. Masanek, Jr.**, Barrington, IL (US); **David S. Iverson**, Hinsdale, IL (US); **Radoslaw Nowak**, Wood Dale, IL (US)
- (73) Assignee: **MACNEIL IP LLC**, Bolingbrook, IL (US)
- (**) Term: **14 Years**
- (21) Appl. No.: **29/508,123**
- (22) Filed: **Nov. 3, 2014**

- 5,392,972 A 2/1995 Caruso et al.
- 5,518,170 A 5/1996 Rasmussen
- 5,549,428 A 8/1996 Yeatts
- 5,601,271 A 2/1997 Janowski et al.
- 5,655,863 A 8/1997 Mundt
- 5,662,305 A 9/1997 Shimamura et al.
- 5,819,996 A 10/1998 Koons, Jr.
- 5,865,580 A 2/1999 Lawrence
- 6,012,885 A 1/2000 Taylor et al.
- 6,109,847 A 8/2000 Patel et al.
- 6,244,802 B1 6/2001 Stanesic et al.

(Continued)

Primary Examiner — Katrina A Betton

(74) *Attorney, Agent, or Firm* — Perkins IP Law Group LLC; Jefferson Perkins

(57) **CLAIM**

The ornamental design for a cargo organizer, as shown and described.

Related U.S. Application Data

- (63) Continuation of application No. 14/530,277, filed on Oct. 31, 2014, now Pat. No. 9,067,521.
- (51) **LOC (10) Cl.** **12-16**
- (52) **U.S. Cl.**
USPC **D12/425**
- (58) **Field of Classification Search**
USPC D12/415-426.1
CPC F16M 11/12; F16M 11/10; B64D 11/06
See application file for complete search history.

DESCRIPTION

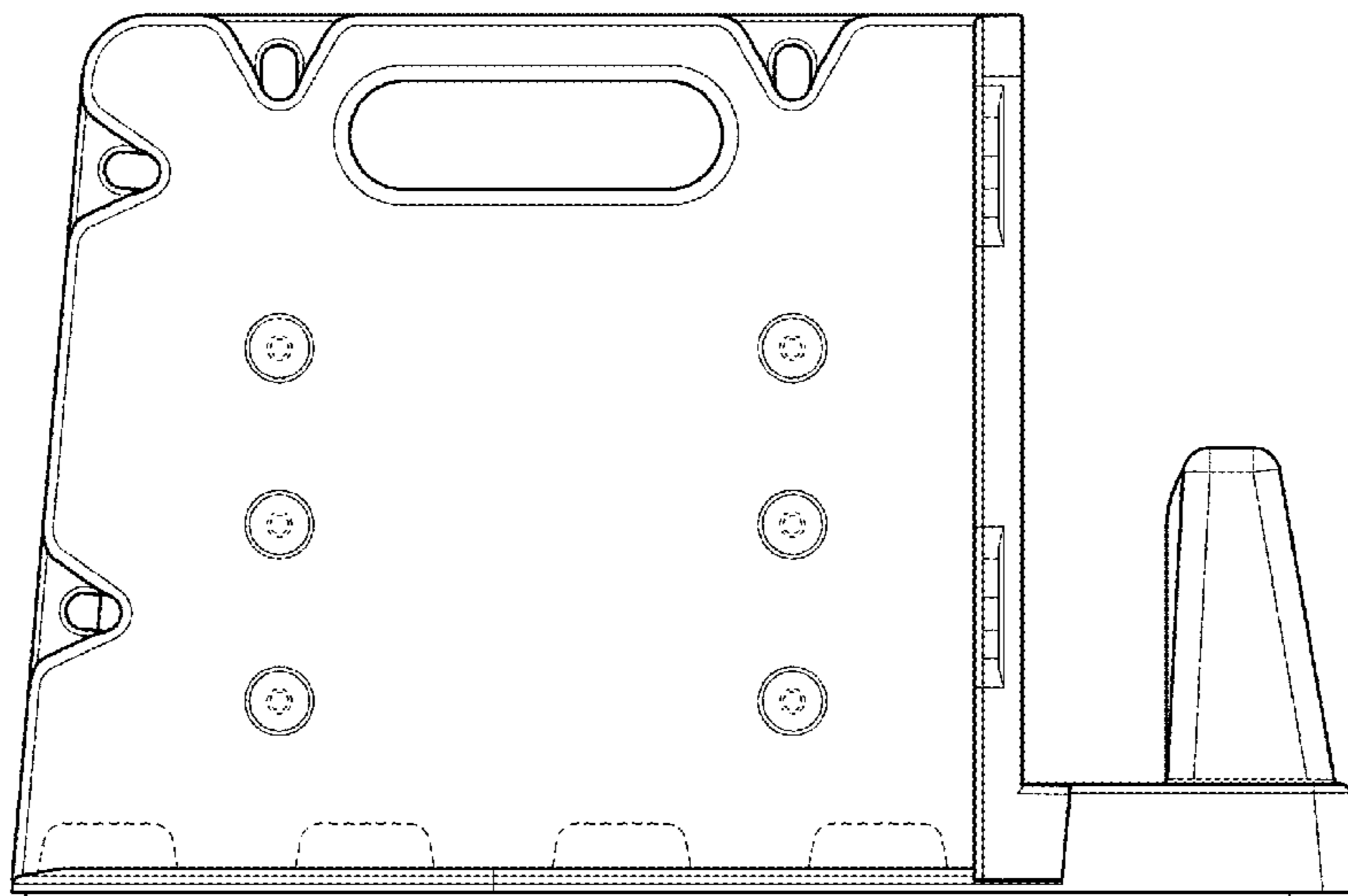
FIG. 1 is a top perspective view of the design;
 FIG. 2 is a front side view thereof;
 FIG. 3 is a back side view taken from a direction opposite that shown in FIG. 2;
 FIG. 4 is a front side view taken at ninety degrees from the view shown in FIG. 2;
 FIG. 5 is a back side view taken from a direction opposite that shown in FIG. 4;
 FIG. 6 is a top view of the design; and,
 FIG. 7 is a side view similar to that shown in FIG. 4, with environmental structure shown in broken line.
 The structure shown in broken line in FIGS. 1-5 is unadorned and forms no part of the claimed design. The structure shown in broken line in FIG. 7 is either unadorned and forms no portion of the claimed design, or, relative to the depicted lumber and joining screws, is environmental and forms no portion of the claimed design. The bottom of the cargo organizer is unadorned and forms no portion of the claimed design.

(56) **References Cited**

U.S. PATENT DOCUMENTS

- 4,512,503 A 4/1985 Gioso
- 4,718,584 A 1/1988 Schoeny
- 4,838,745 A 6/1989 Haydock
- 4,842,460 A 6/1989 Schlesch
- 4,884,733 A 12/1989 Geeves
- 5,031,769 A 7/1991 Shea et al.
- 5,161,700 A 11/1992 Stannis et al.
- 5,167,433 A 12/1992 Ryan
- 5,205,602 A 4/1993 Hoare et al.

1 Claim, 5 Drawing Sheets



(56)

References Cited

U.S. PATENT DOCUMENTS

| | | | |
|-----------|----|---------|------------------|
| 6,702,532 | B1 | 3/2004 | Throener |
| 7,306,416 | B1 | 12/2007 | Arico |
| 7,959,390 | B2 | 6/2011 | Gorski |
| 8,430,714 | B2 | 4/2013 | Benincasa et al. |

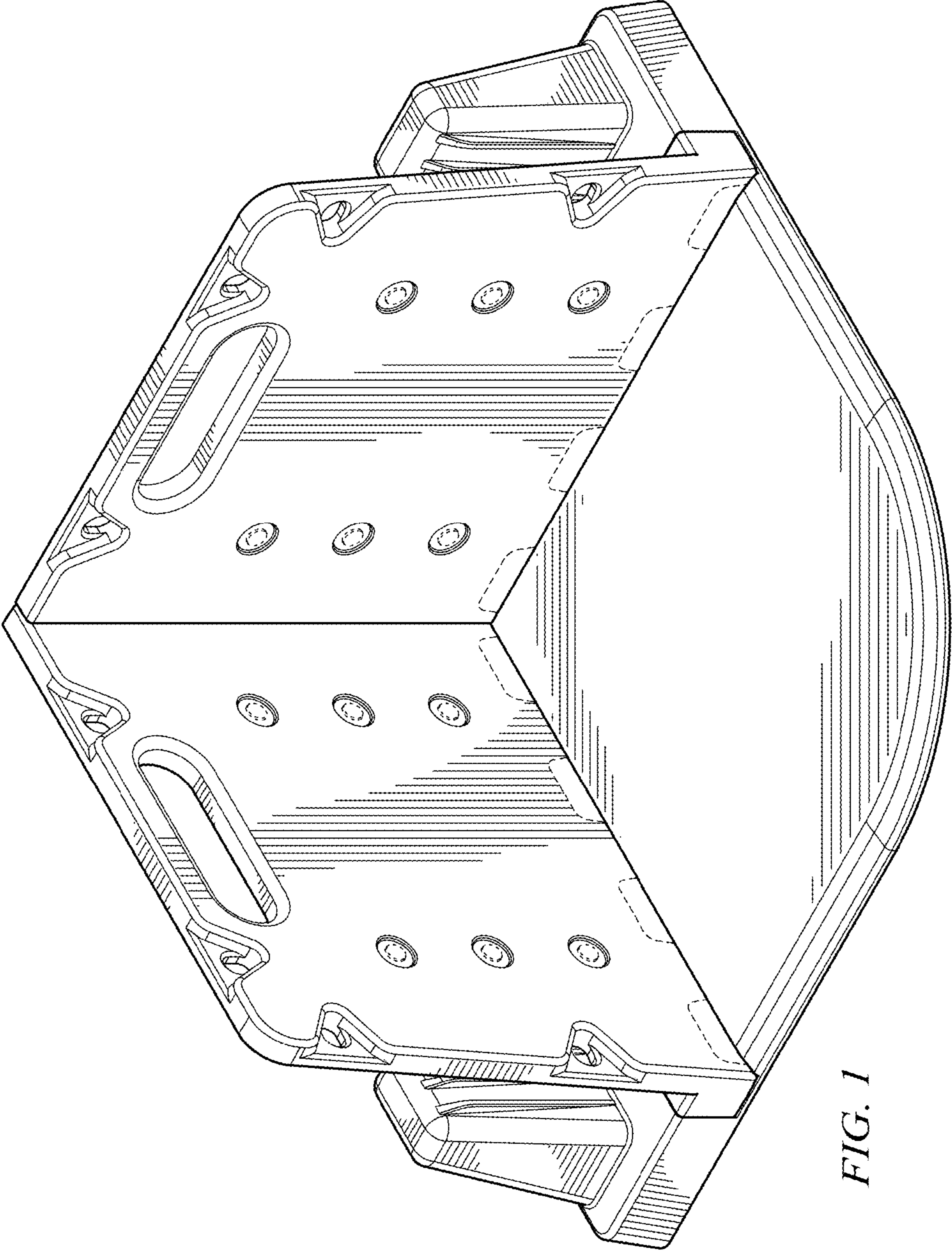


FIG. 1

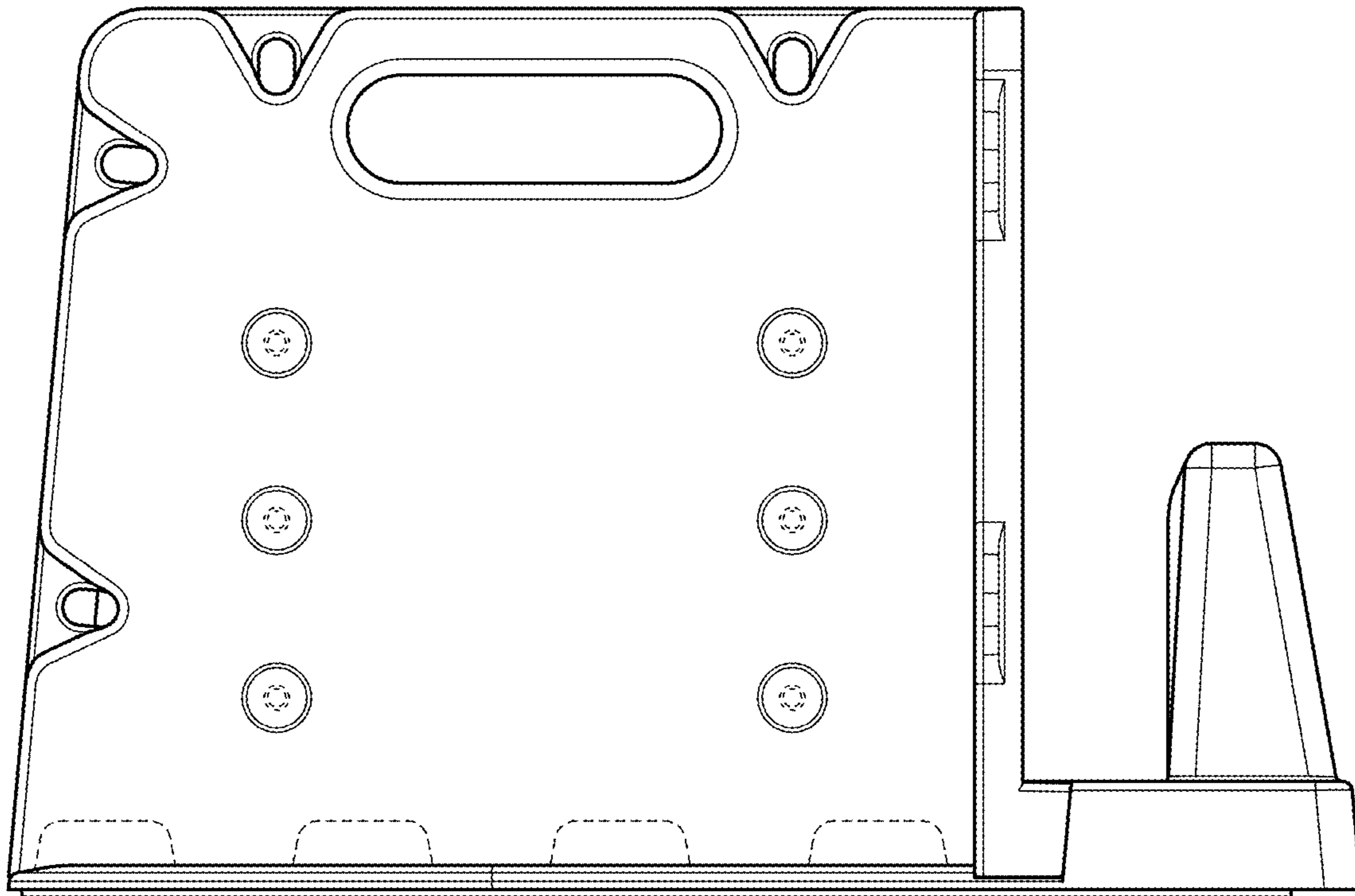


FIG. 2

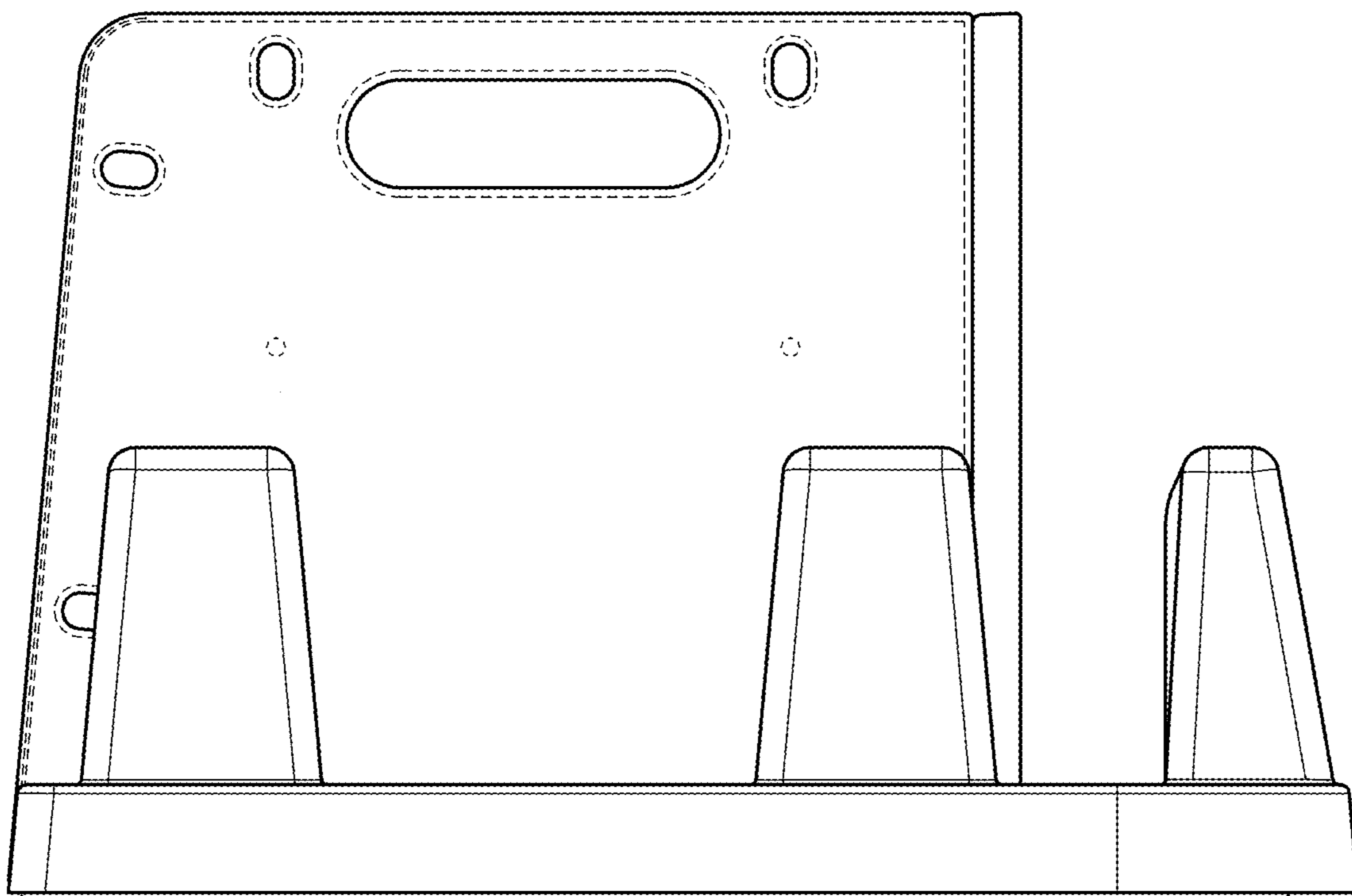


FIG. 3

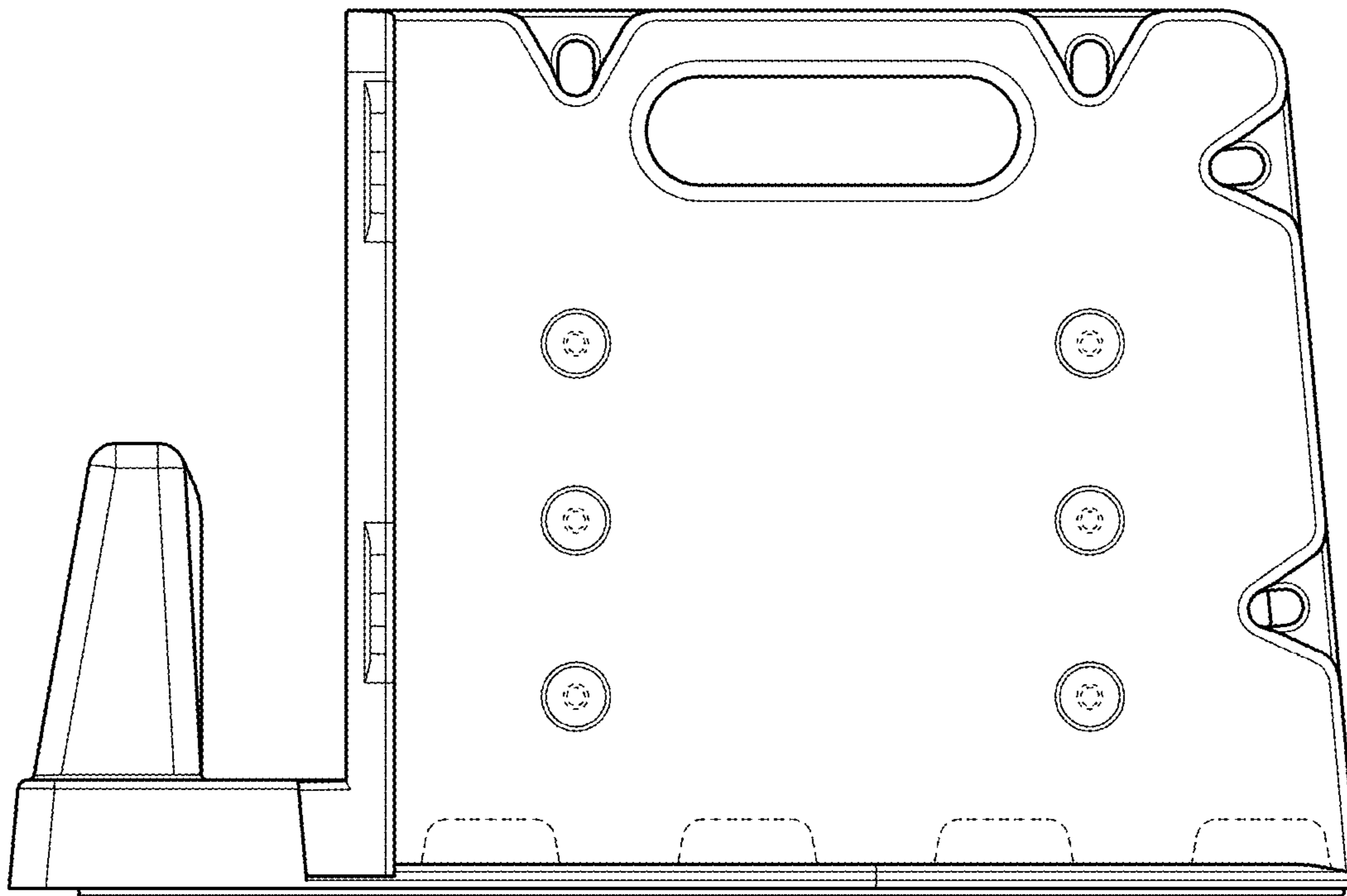


FIG. 4

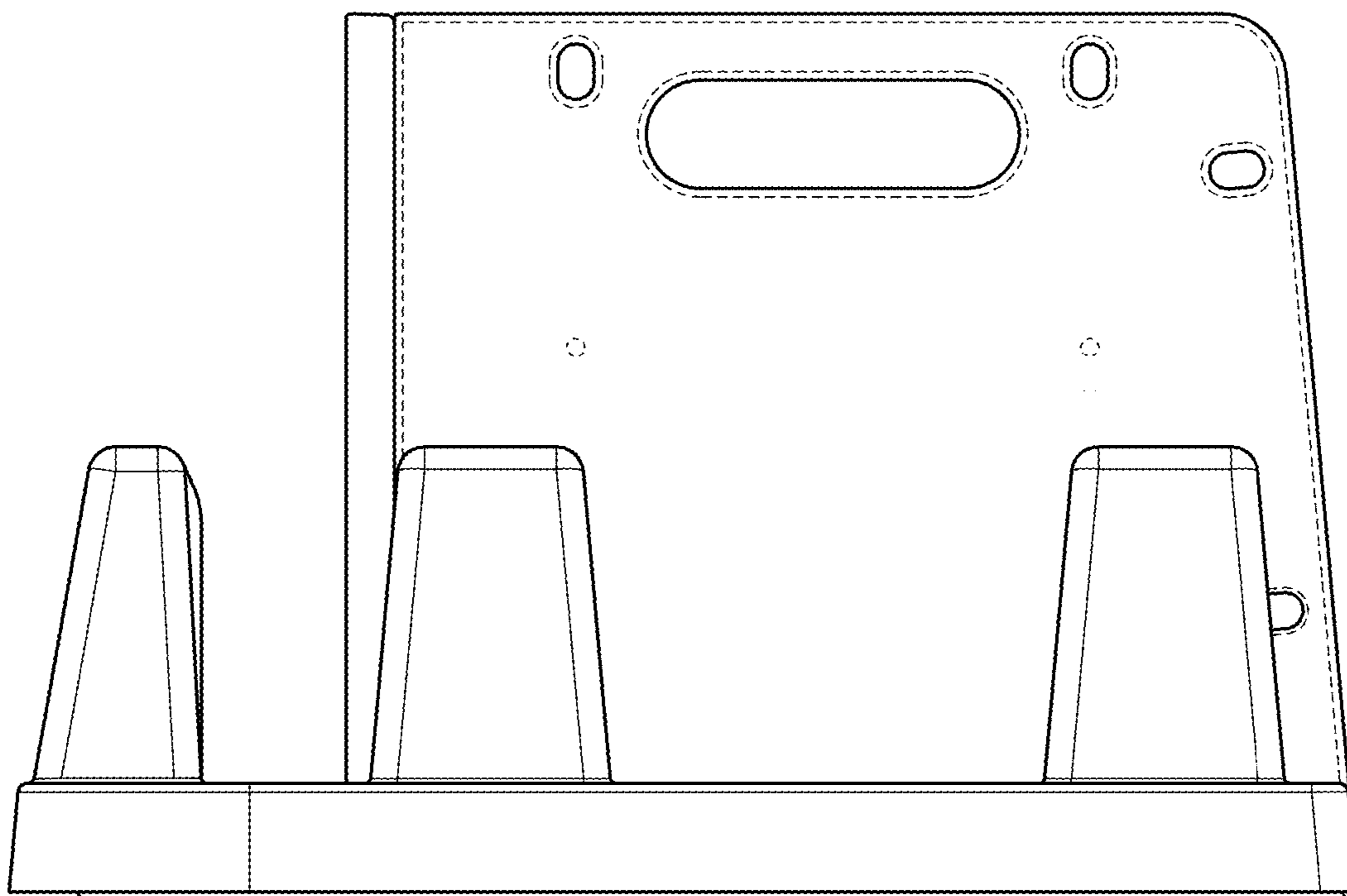


FIG. 5

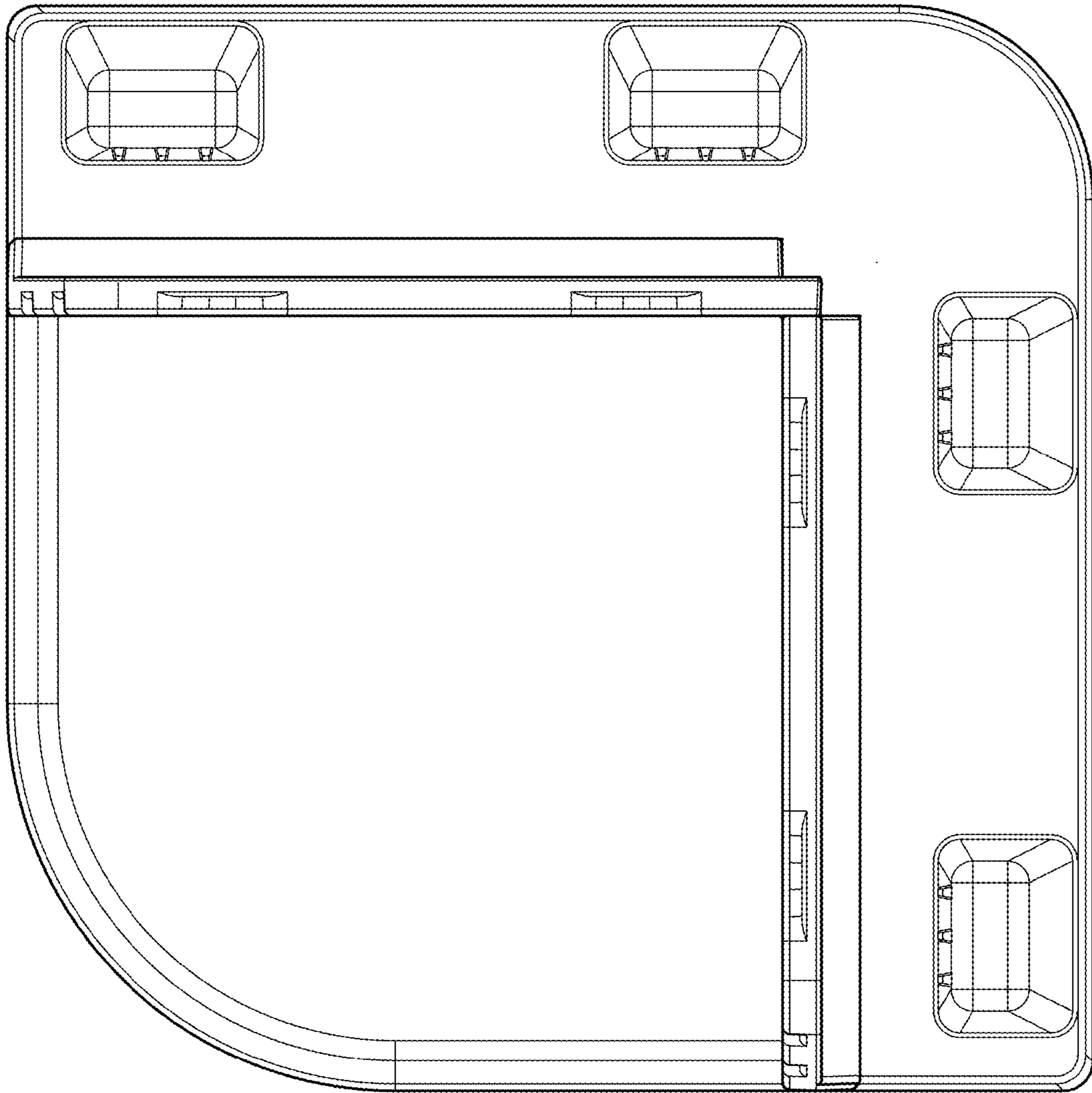


FIG. 6

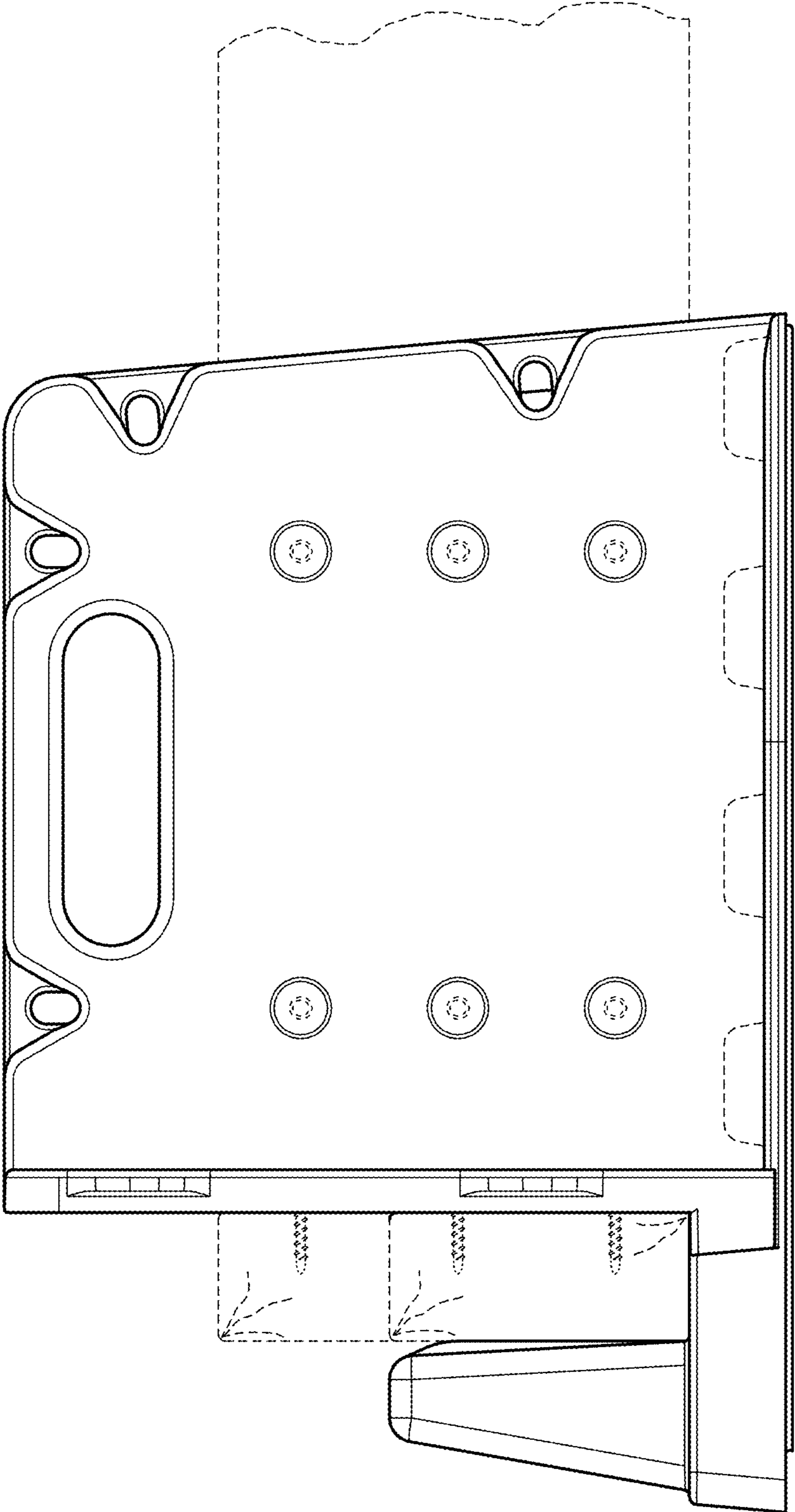


FIG. 7