



US00D772141S

(12) **United States Design Patent** (10) **Patent No.:** **US D772,141 S**
Christofferson (45) **Date of Patent:** **** Nov. 22, 2016**

(54) **TRUCK TOOL BOX**

- (71) Applicant: **John Christofferson**, Parker, CO (US)
- (72) Inventor: **John Christofferson**, Parker, CO (US)
- (73) Assignee: **One Lung Enterprises LLC**, Parker, CO (US)
- (**) Term: **15 Years**
- (21) Appl. No.: **29/534,788**
- (22) Filed: **Jul. 31, 2015**

Related U.S. Application Data

- (63) Continuation-in-part of application No. 29/508,502, filed on Nov. 7, 2014.
- (51) **LOC (10) Cl.** **12-99**
- (52) **U.S. Cl.**
USPC **D12/414.1**
- (58) **Field of Classification Search**
USPC D12/414.1, 414-412, 221, 406, 157,
D12/423; D6/552, 317-319, 513-514;
D3/304-306; D32/35, 58
CPC B60R 7/02; B60R 9/065; Y10S 224/925
See application file for complete search history.

(56) **References Cited**

U.S. PATENT DOCUMENTS

7,464,978	B1 *	12/2008	Meeks	B25H 1/00
					108/44
D626,062	S *	10/2010	Giddens	D12/414.1
D659,074	S *	5/2012	Read	D12/414
D679,906	S *	4/2013	Gros	D12/414.1
D717,721	S *	11/2014	Guaresimo	D12/414
D720,680	S *	1/2015	Vitoorapakorn	D12/414.1
9,156,412	B1 *	10/2015	Calvert	B60P 7/08
D755,707	S *	5/2016	Roach	D12/414.1
2004/0080248	A1 *	4/2004	Klusmeier	B60R 9/00
					312/348.3
2006/0091689	A1 *	5/2006	Wilding	B60R 9/00
					296/37.6

OTHER PUBLICATIONS

Northern Tool + Equipment Profile Aluminum Crossover Truck box—published by Northern Tool on its website at http://www.northerntool.com/shop/tools/product_200620971_200620971 on Nov. 7, 2014.
Highway Products Inc. tool boxes—drawings dated Feb. 20, 2013, Jan. 6, 2014 and Jan. 9, 2014.

* cited by examiner

Primary Examiner — Katrina A Betton

(74) *Attorney, Agent, or Firm* — Colorado Patents

(57) **CLAIM**

The ornamental design for a truck tool box, as shown and described.

DESCRIPTION

FIG. 1 is a perspective view of a first embodiment of my new design for a truck tool box which, as shown, is mounted in the bed of a pickup truck;
FIG. 2 is an enlarged perspective view showing the truck tool box of FIG. 1 in isolation;
FIG. 3 is a front view of the truck tool box of FIG. 2;
FIG. 4 is a rear view of the truck tool box of FIG. 2;
FIG. 5 is a right side view of the truck tool box of FIG. 2 and wherein the left side view is the mirror image of the right side view;
FIG. 6 is a top plan view of the truck tool box of FIG. 2;
FIG. 7 is a bottom plan view of the truck tool box of FIG. 2;
FIG. 8 is a perspective view of a second embodiment of my new design for a truck tool box which, as shown, is mounted in the bed of a pickup truck;
FIG. 9 is an enlarged perspective view showing the truck tool box of FIG. 8 in isolation;
FIG. 10 is a front view of the truck tool box of FIG. 9;
FIG. 11 is a rear view of the truck tool box of FIG. 9;
FIG. 12 is a right side view of the truck tool box of FIG. 9 and wherein the left side view is the mirror image of the right side view;
FIG. 13 is a top plan view of the truck tool box of FIG. 9;

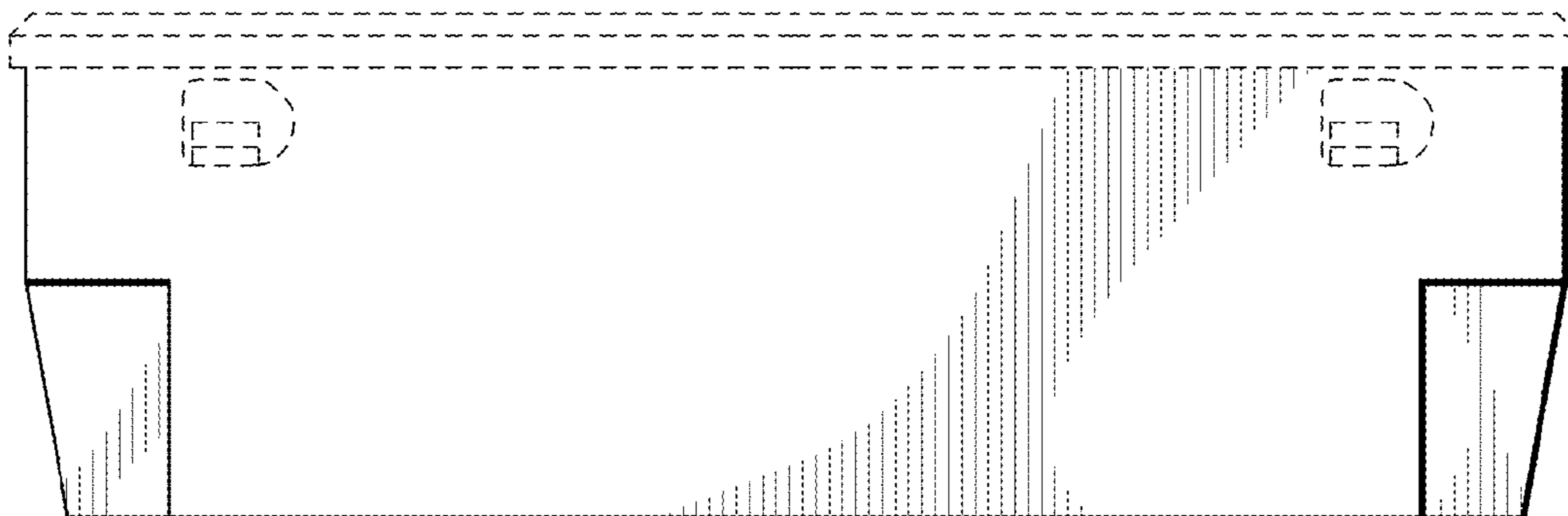


FIG. 14 is a bottom plan view of the truck tool box of FIG. 9;

FIG. 15 is a perspective view of a third embodiment of my new design for a truck tool box which, as shown, is mounted in the bed of a pickup truck;

FIG. 16 is an enlarged perspective view showing the truck tool box of FIG. 15 in isolation;

FIG. 17 is a front view of the truck tool box of FIG. 16;

FIG. 18 is a rear view of the truck tool box of FIG. 16;

FIG. 19 is a right side view of the truck tool box of FIG. 16 and wherein the left side view is the mirror image of the right side view;

FIG. 20 is a top plan view of the truck tool box of FIG. 16;

FIG. 21 is a bottom plan view of the truck tool box of FIG. 16;

FIG. 22 is a perspective view of a fourth embodiment of my new design for a truck tool box which, as shown, is mounted in the bed of a pickup truck;

FIG. 23 is an enlarged perspective view showing the truck tool box of FIG. 22 in isolation;

FIG. 24 is a front view of the truck tool box of FIG. 23;

FIG. 25 is a rear view of the truck tool box of FIG. 23;

FIG. 26 is a right side view of the truck tool box of FIG. 23 and wherein the left side view is the mirror image of the right side view;

FIG. 27 is a top plan view of the truck tool box of FIG. 23; and,

FIG. 28 is a bottom plan view of the truck tool box of FIG. 23.

The broken lines are shown for illustrative purposes only and form no part of the claimed design.

1 Claim, 12 Drawing Sheets

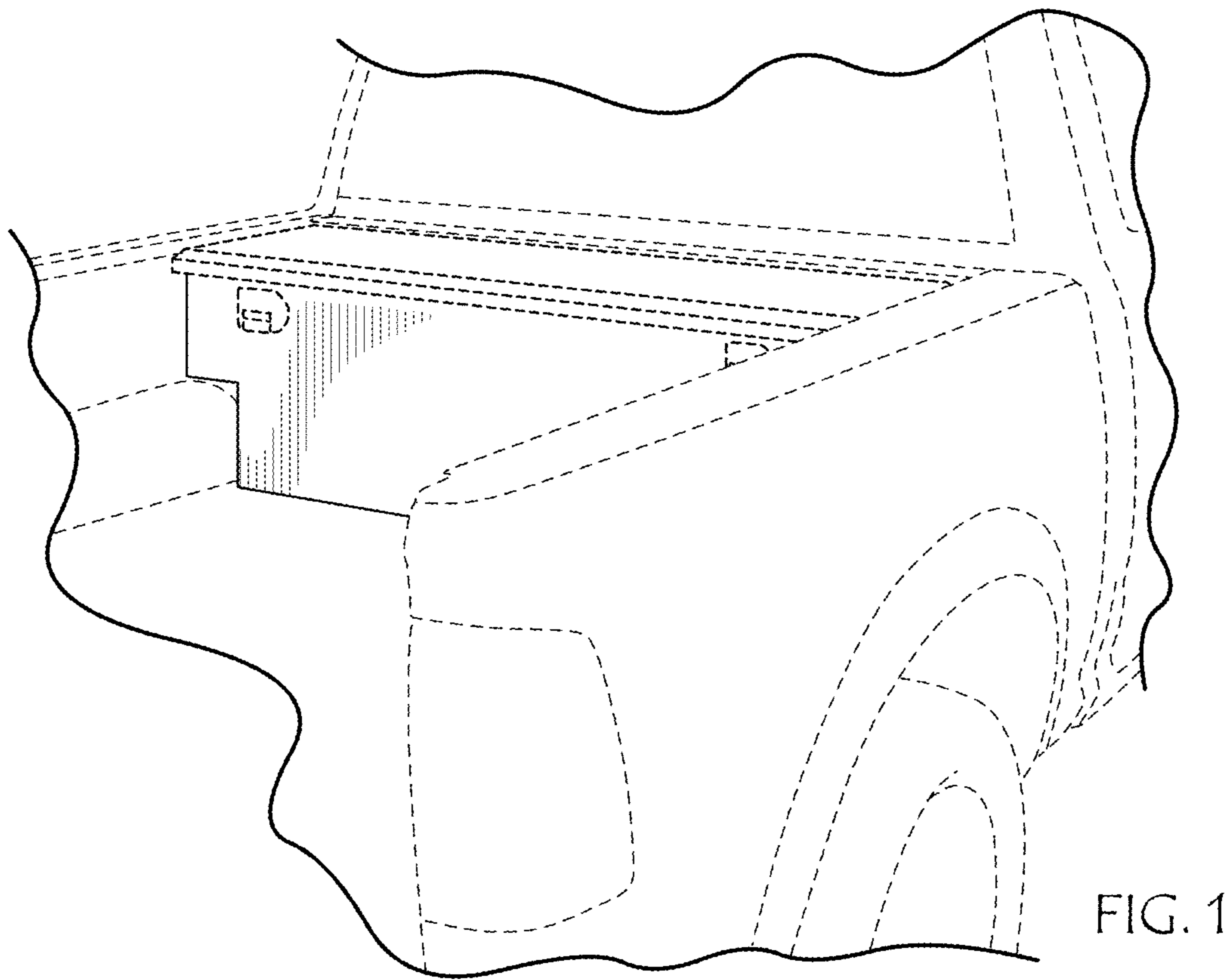


FIG. 1

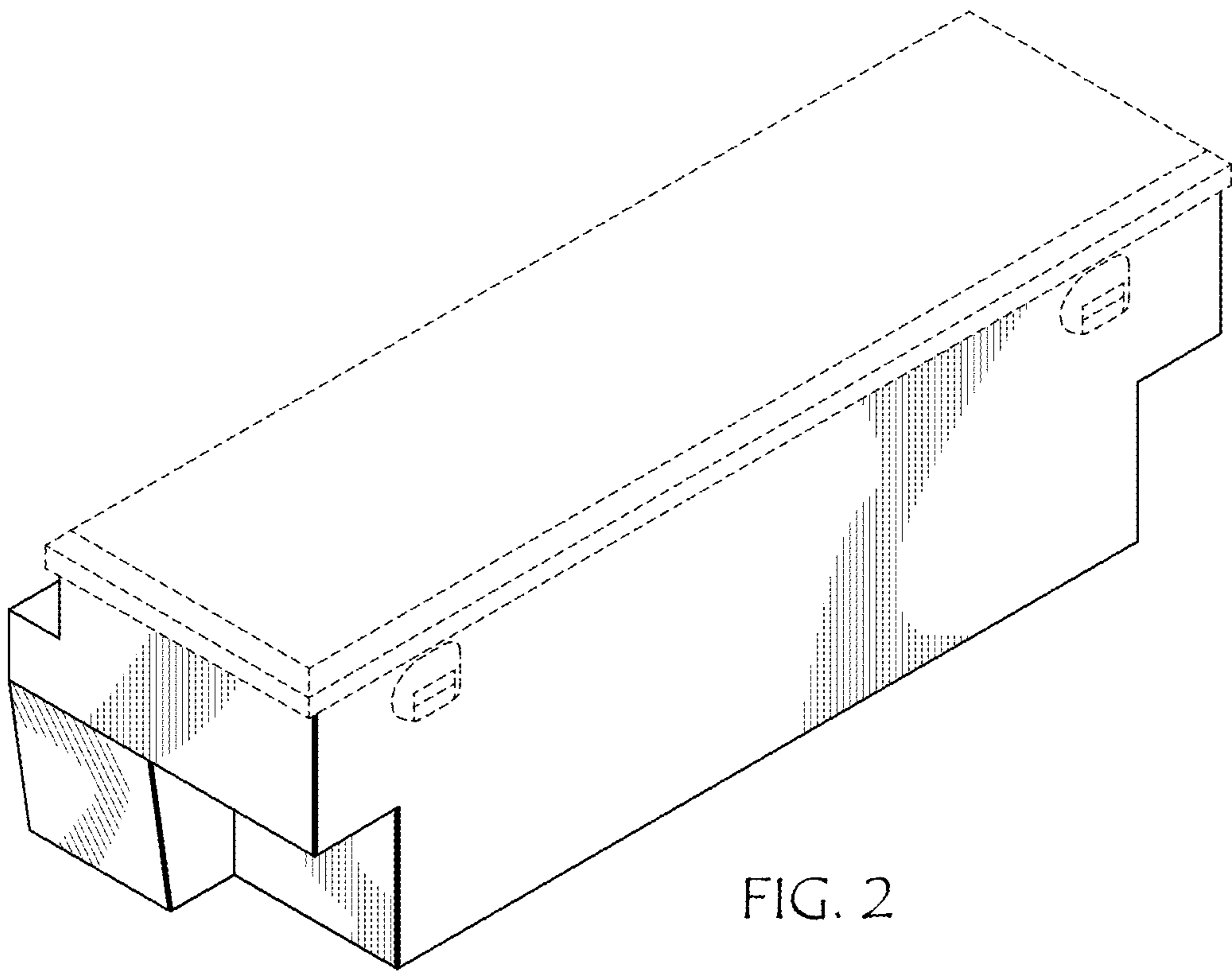


FIG. 2

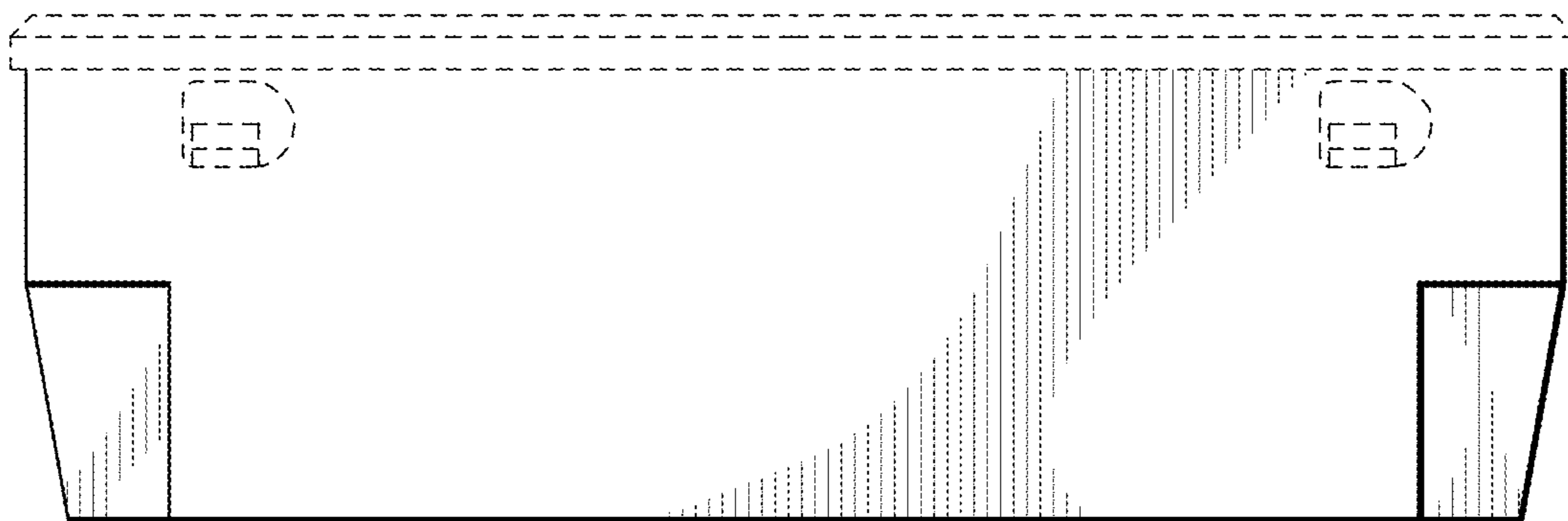


FIG. 3

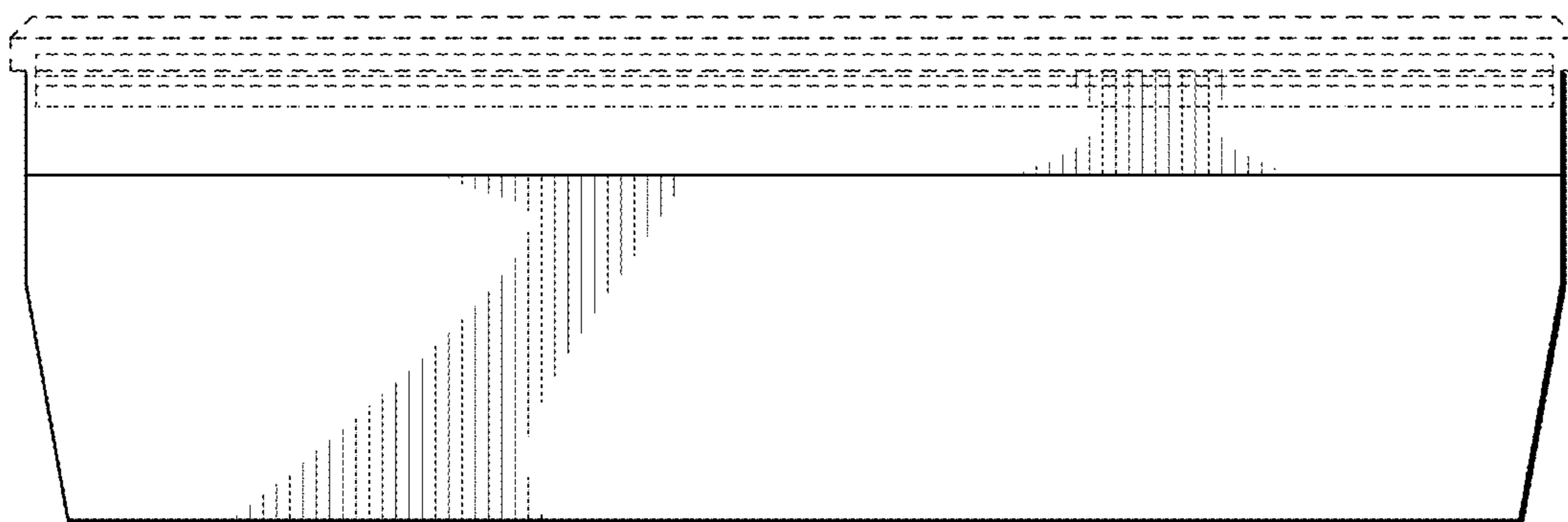


FIG. 4

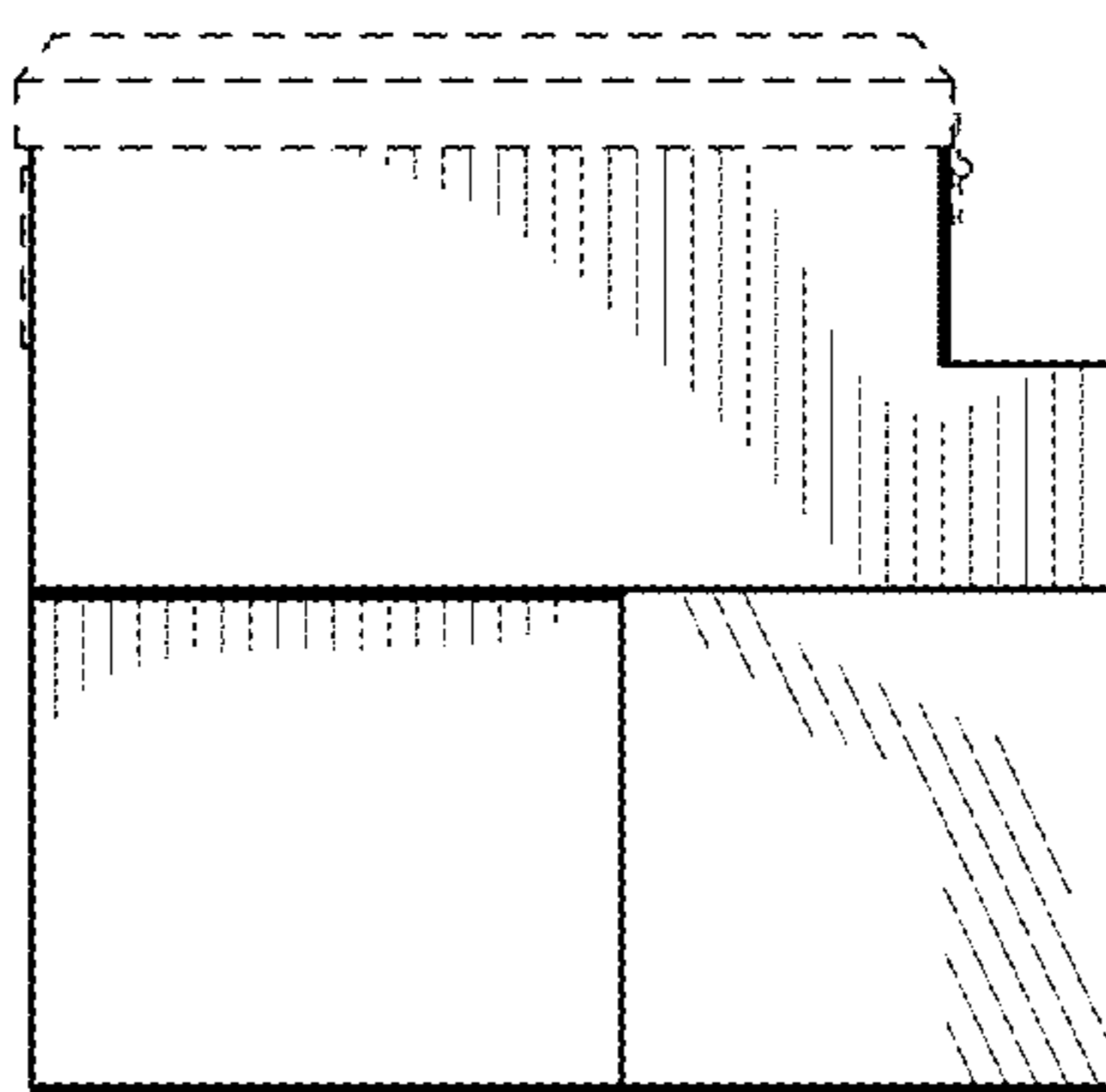


FIG. 5

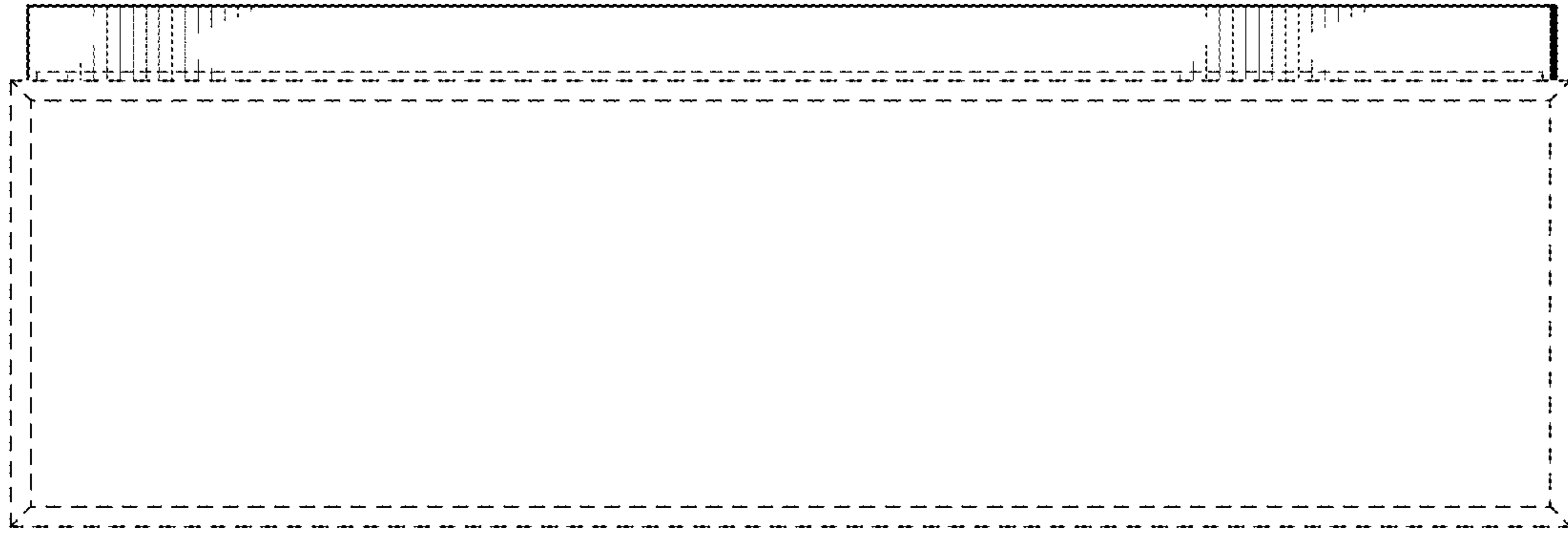


FIG. 6

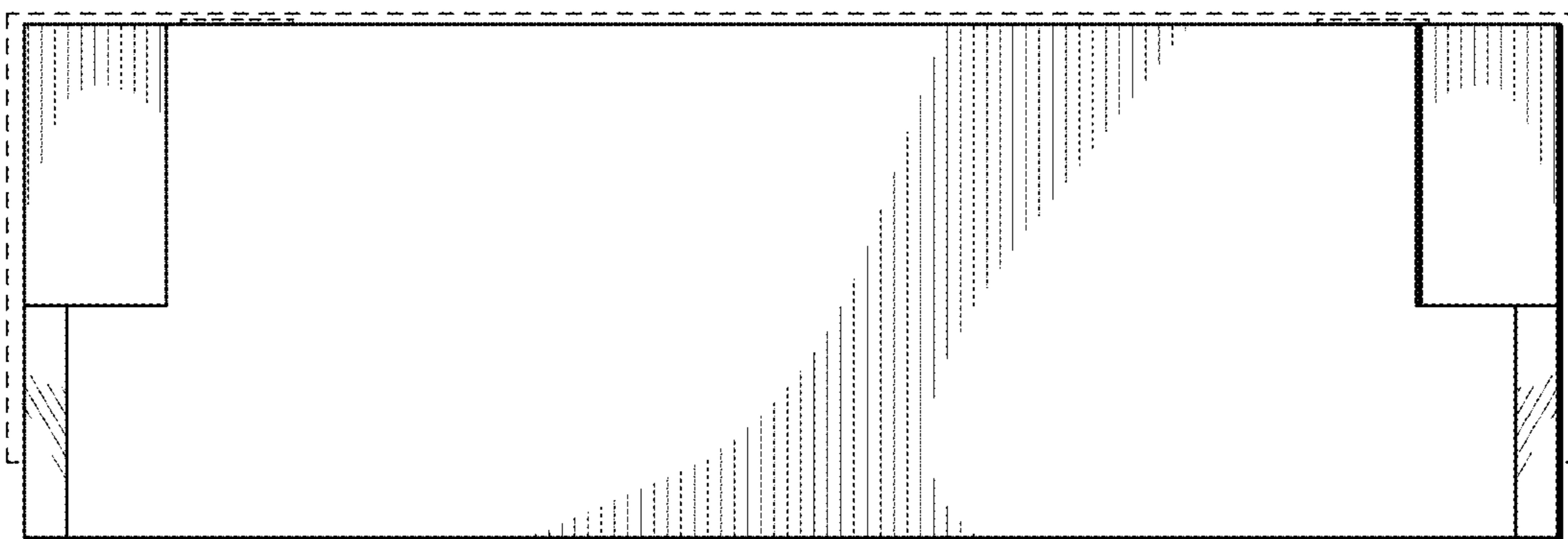


FIG. 7

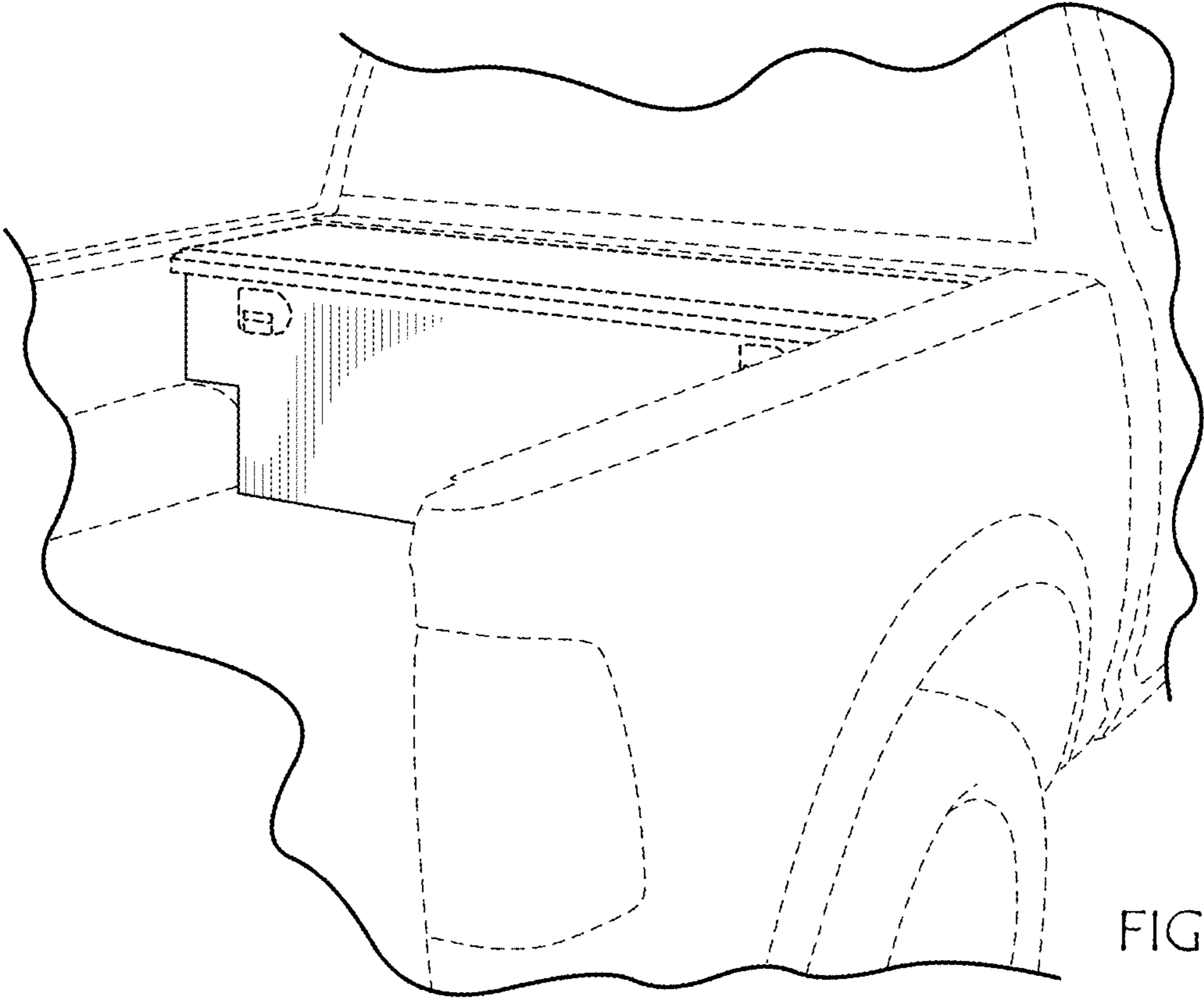


FIG. 8

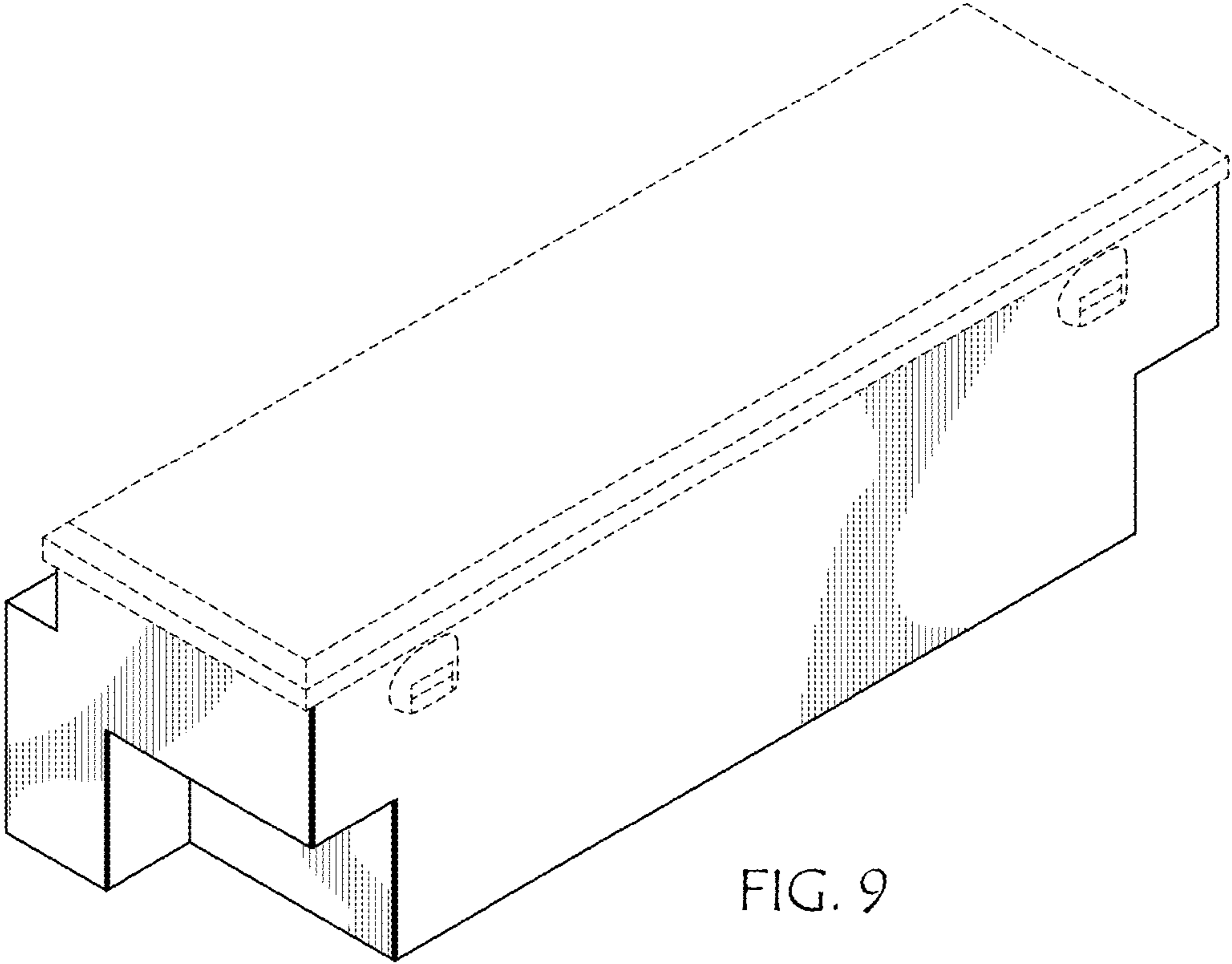


FIG. 9

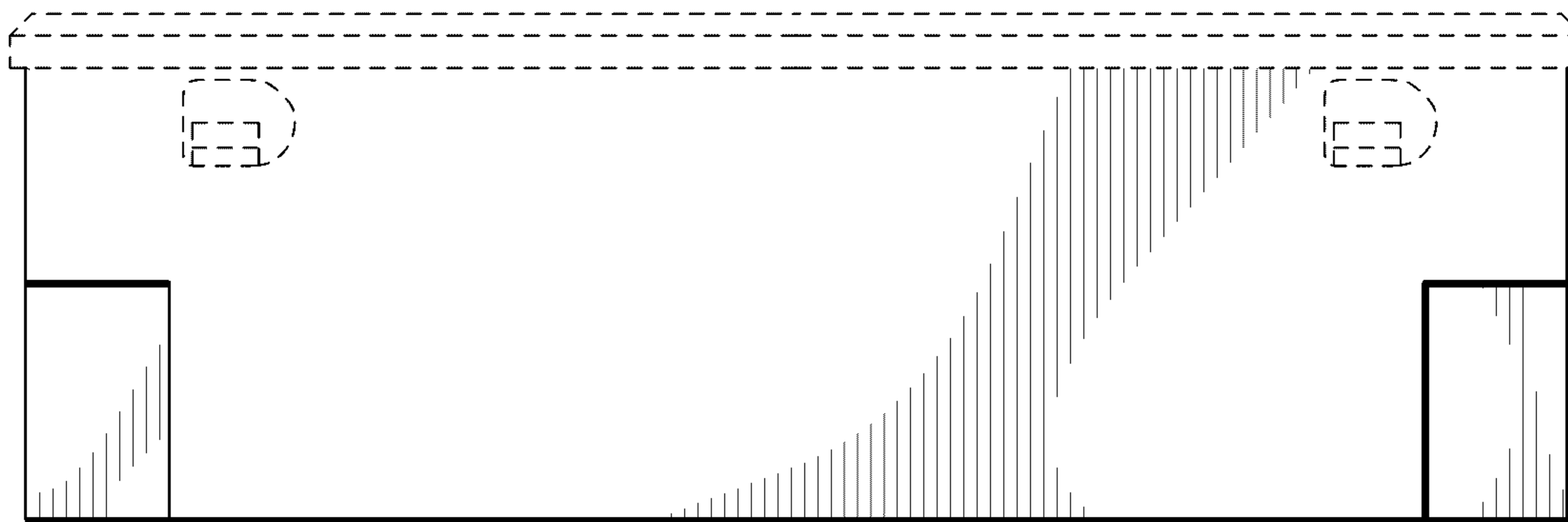


FIG. 10

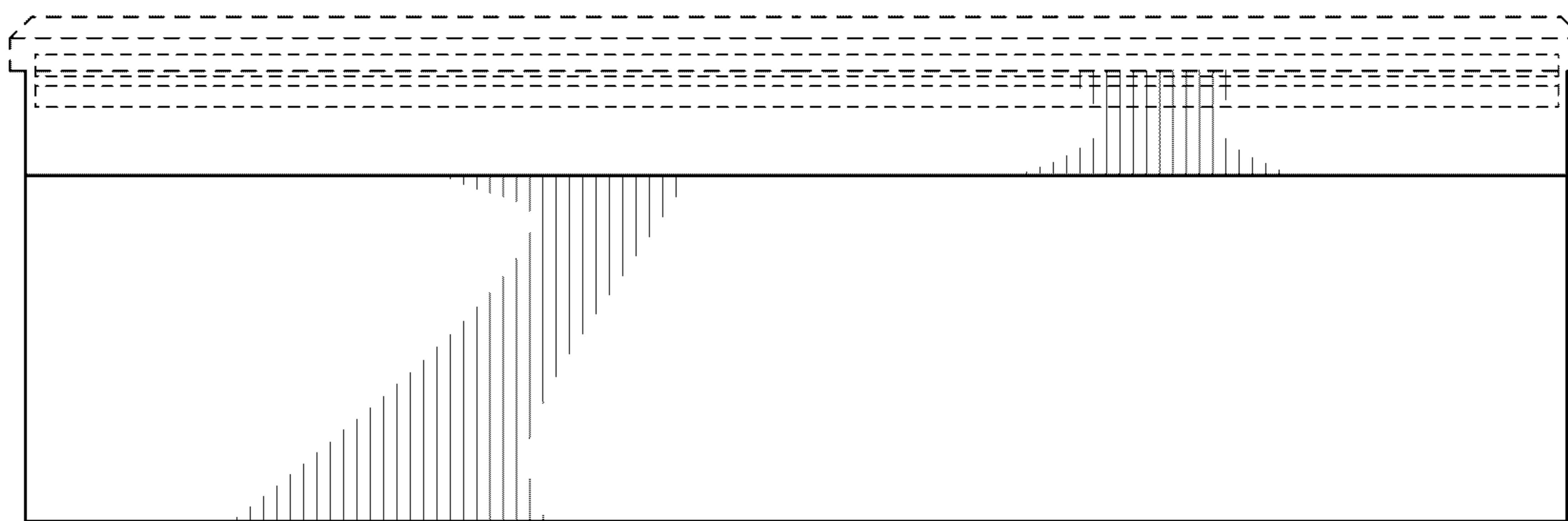


FIG. 11

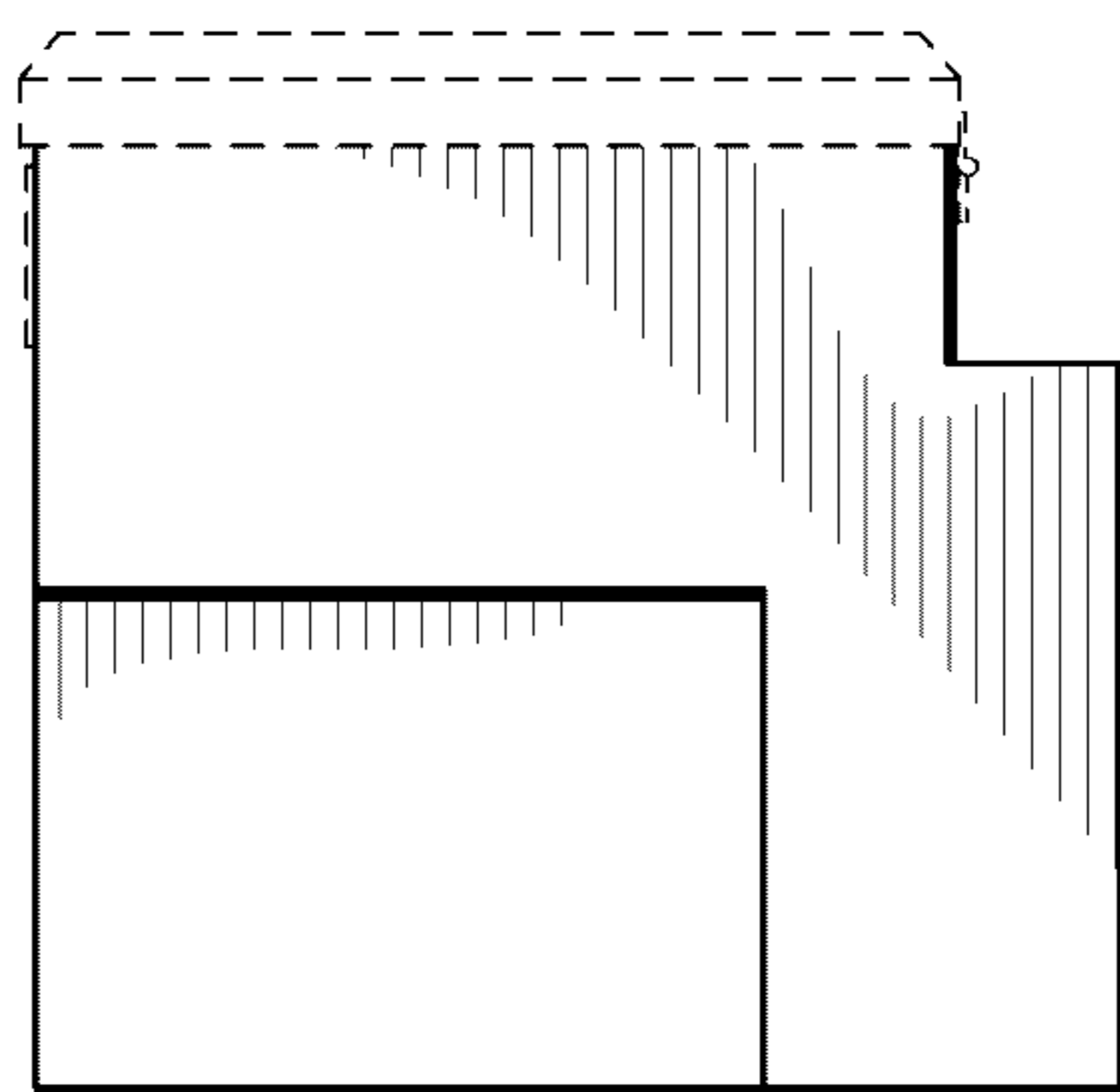


FIG. 12

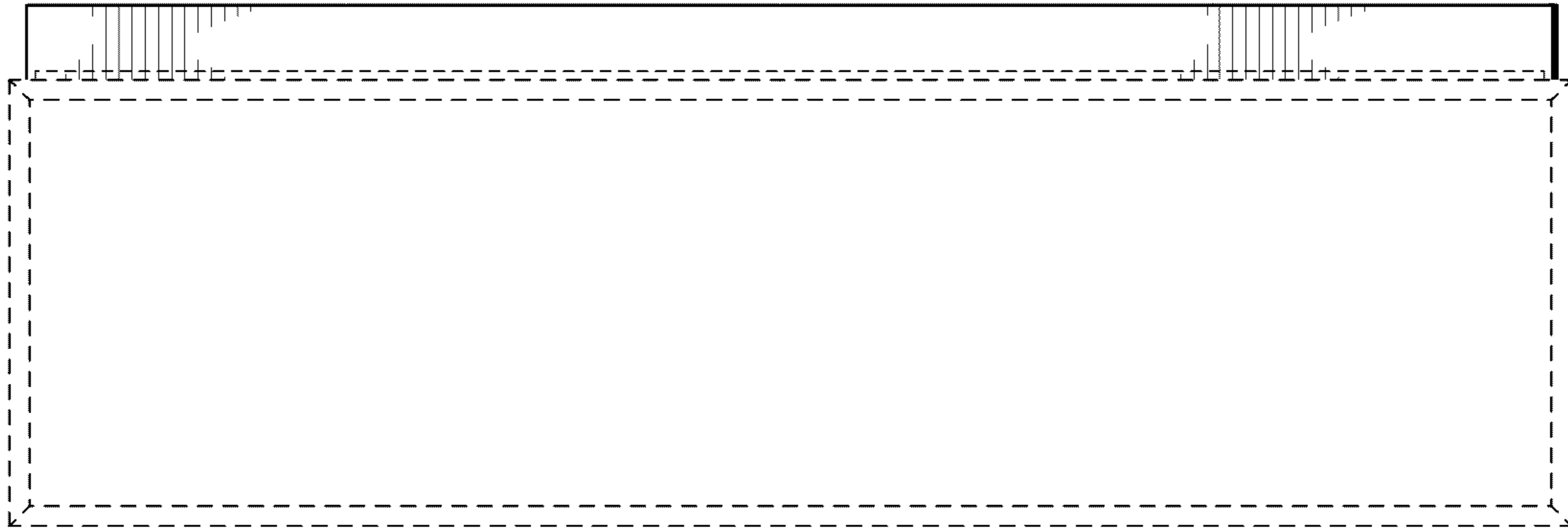


FIG. 13

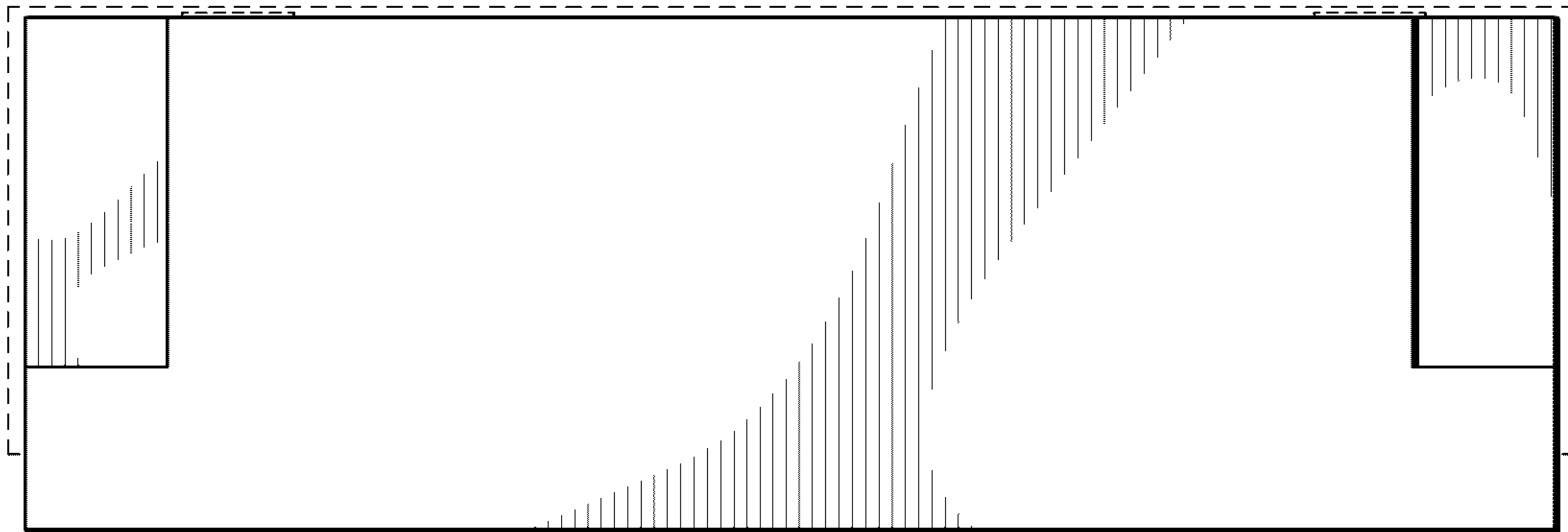


FIG. 14

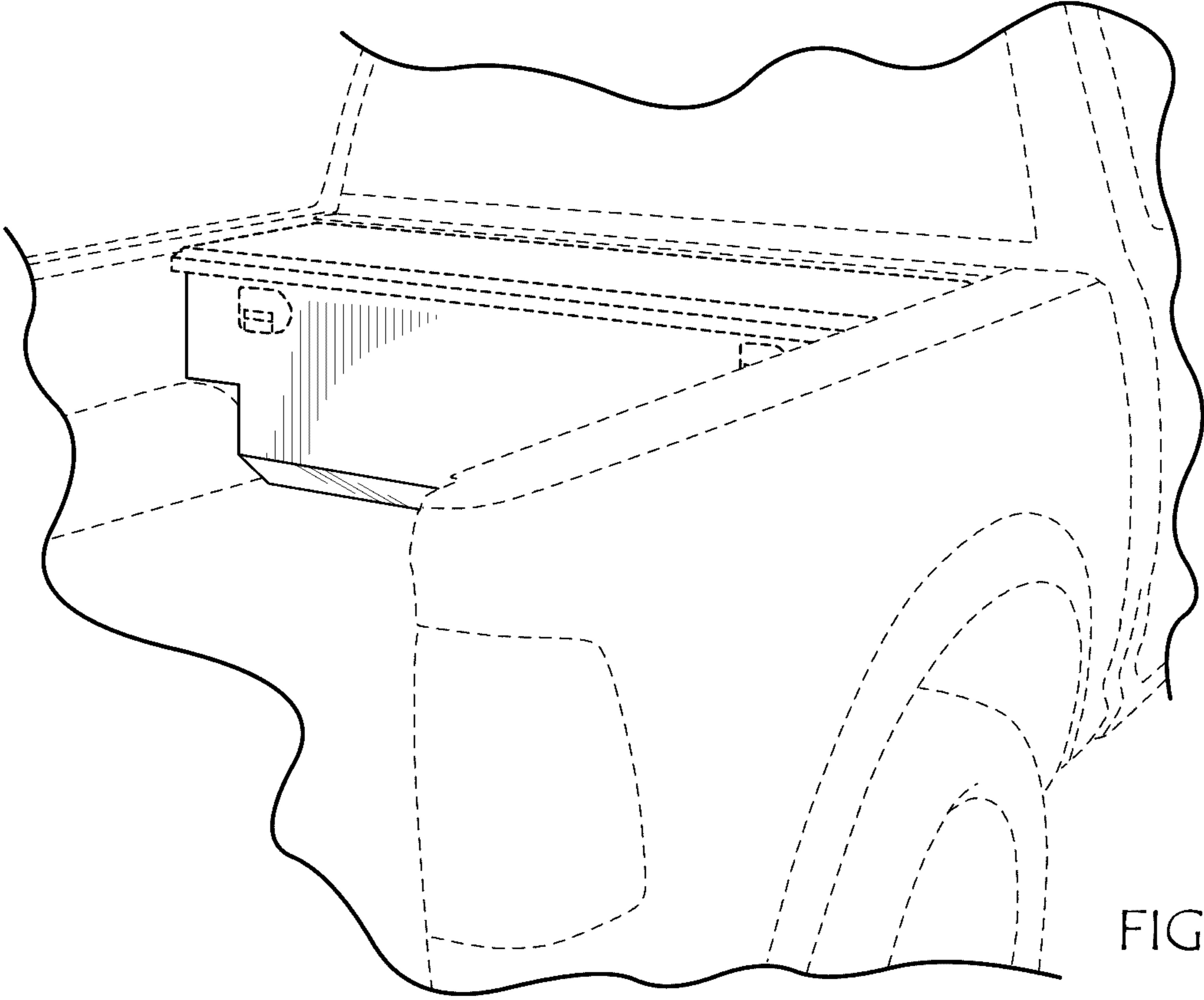


FIG. 15

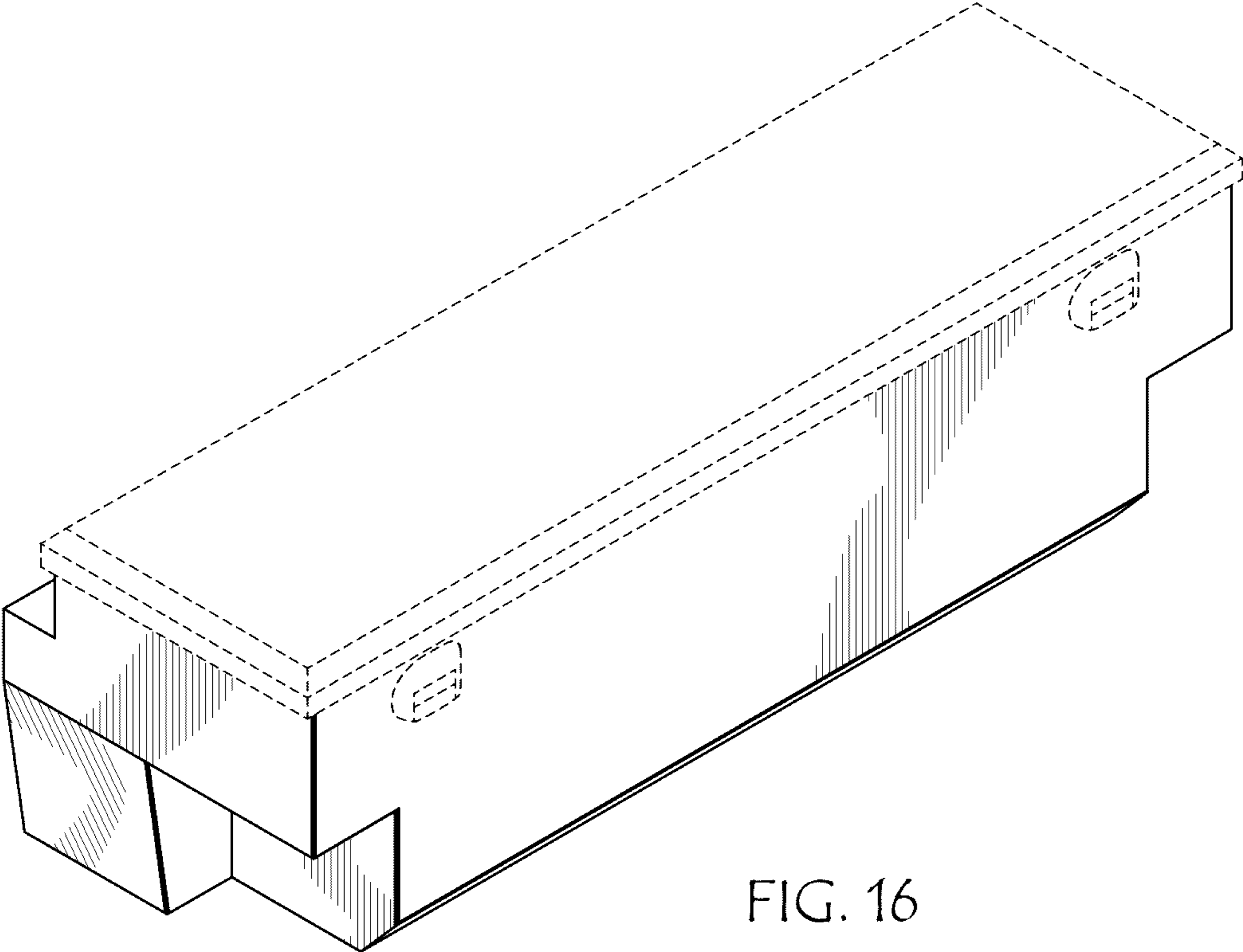


FIG. 16

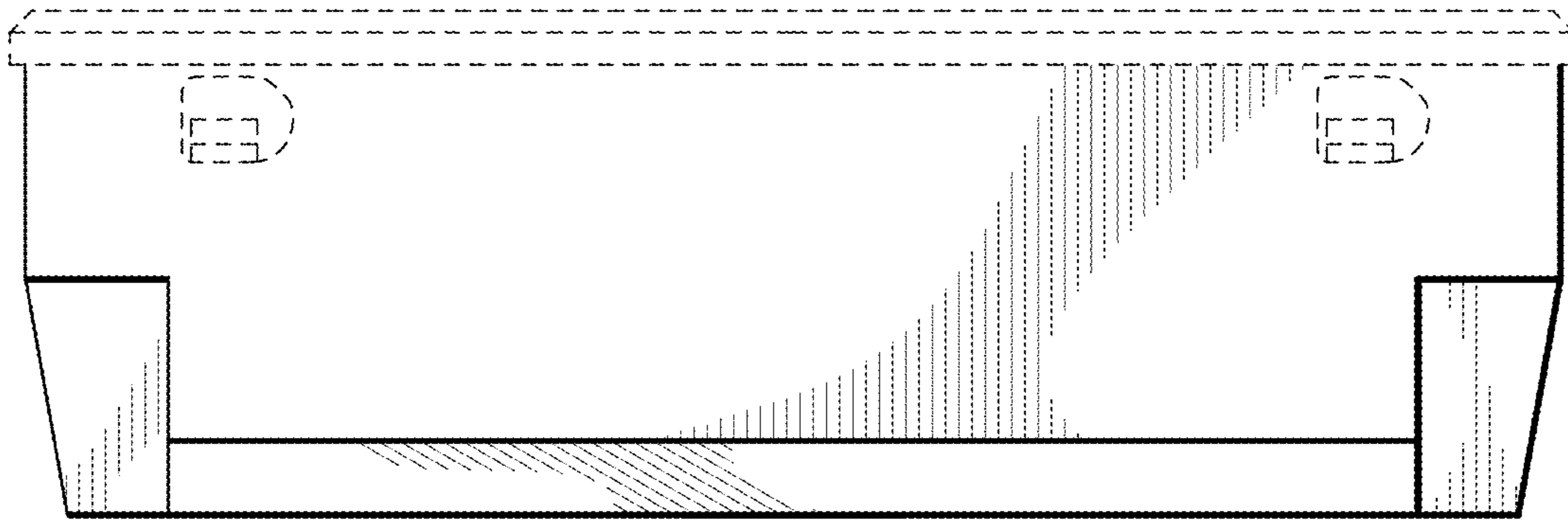


FIG. 17

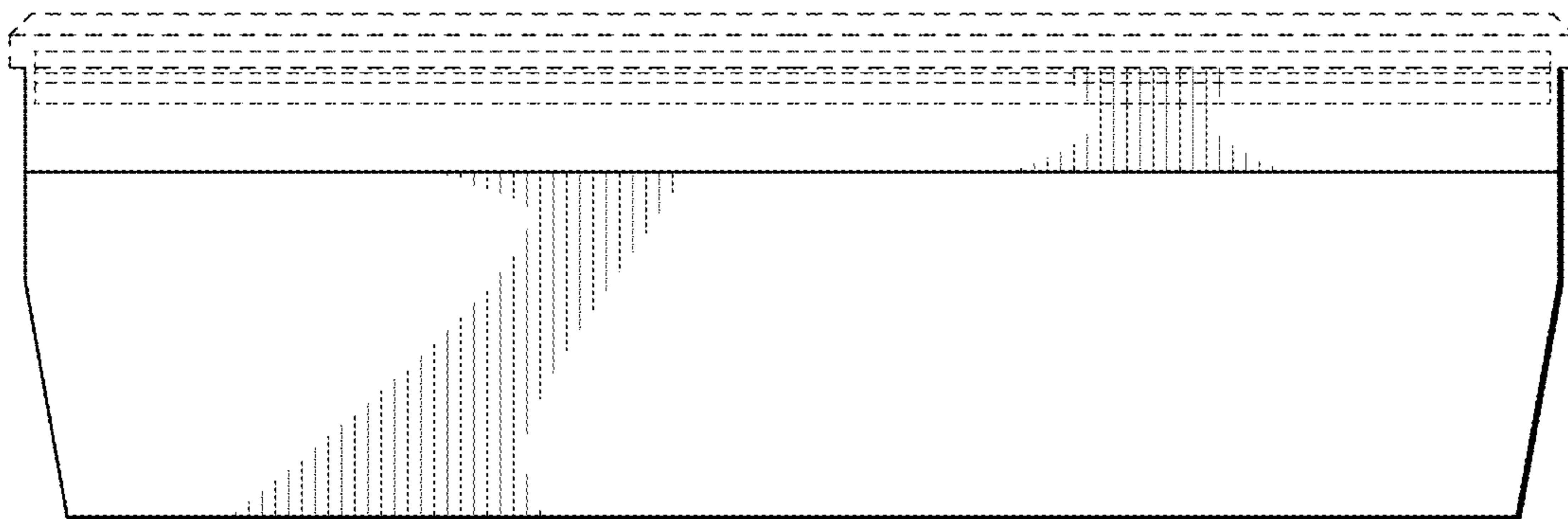


FIG. 18

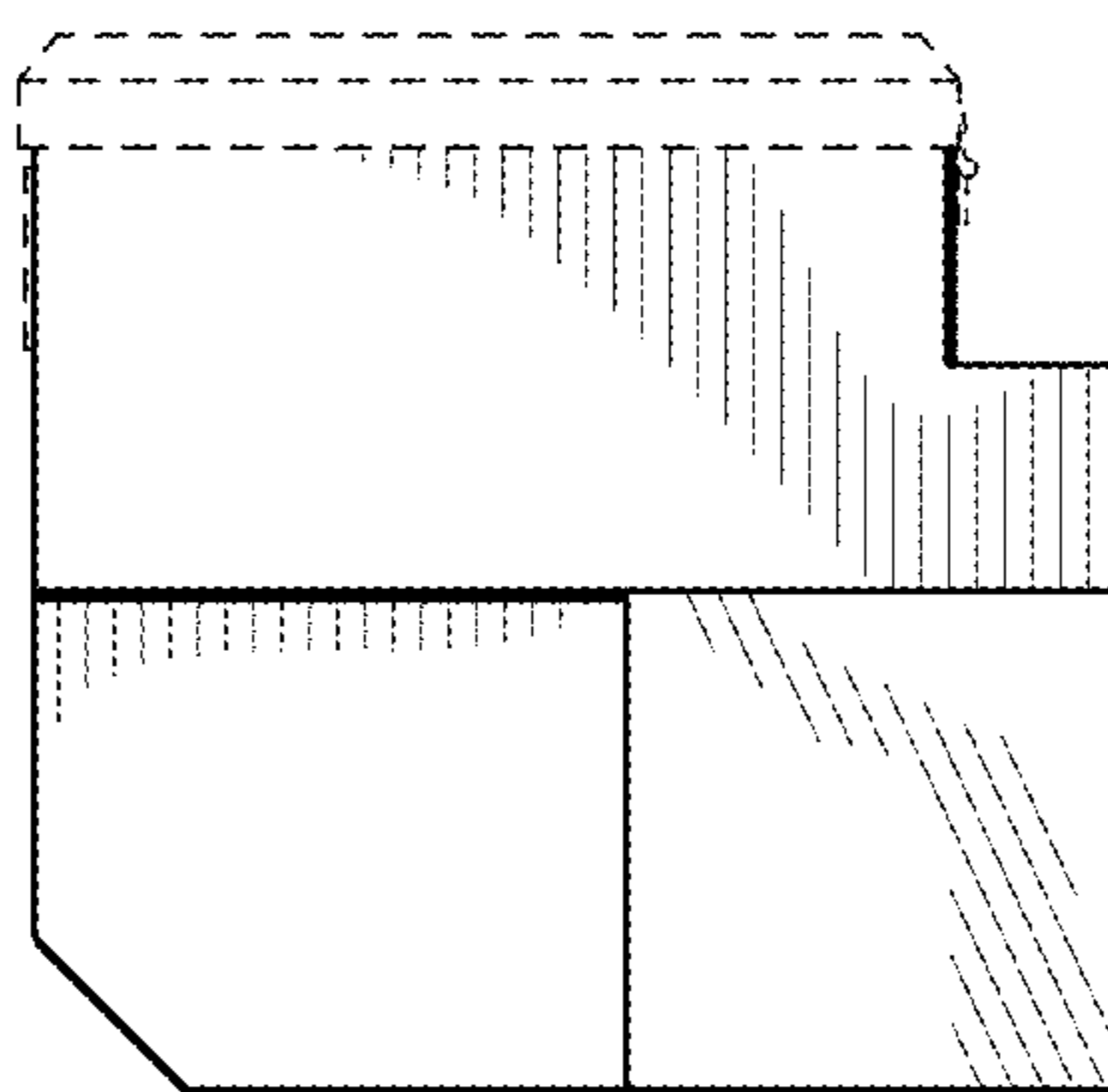


FIG. 19

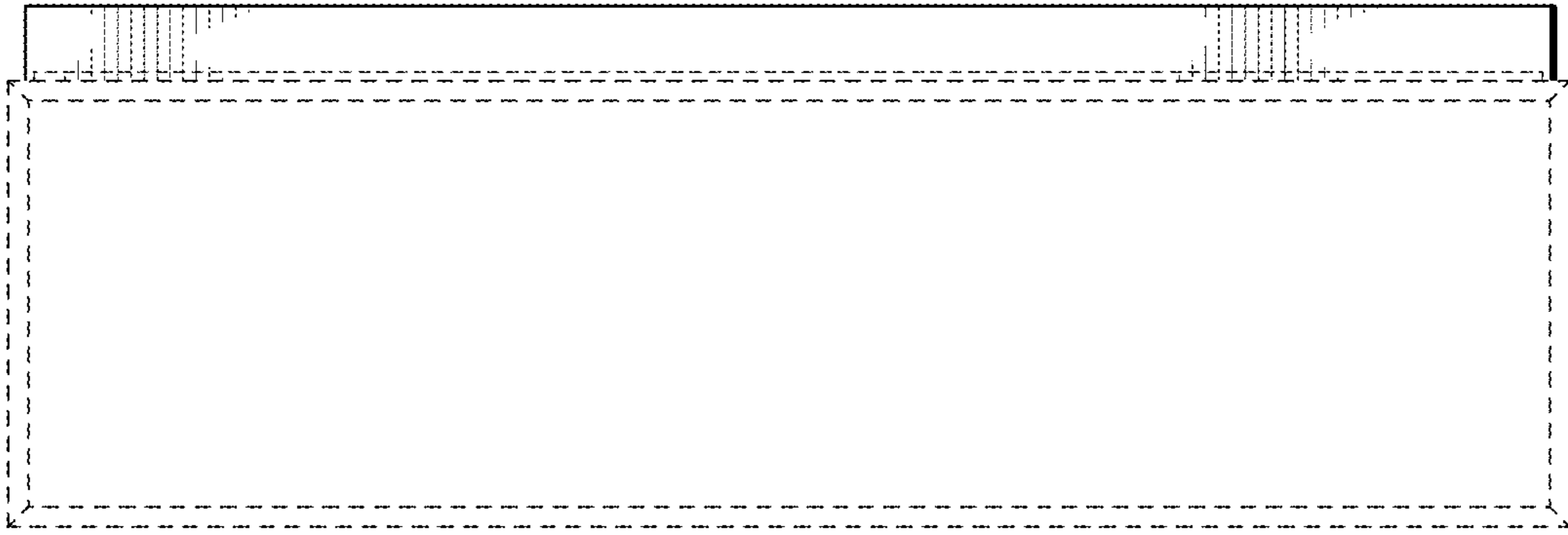


FIG. 20

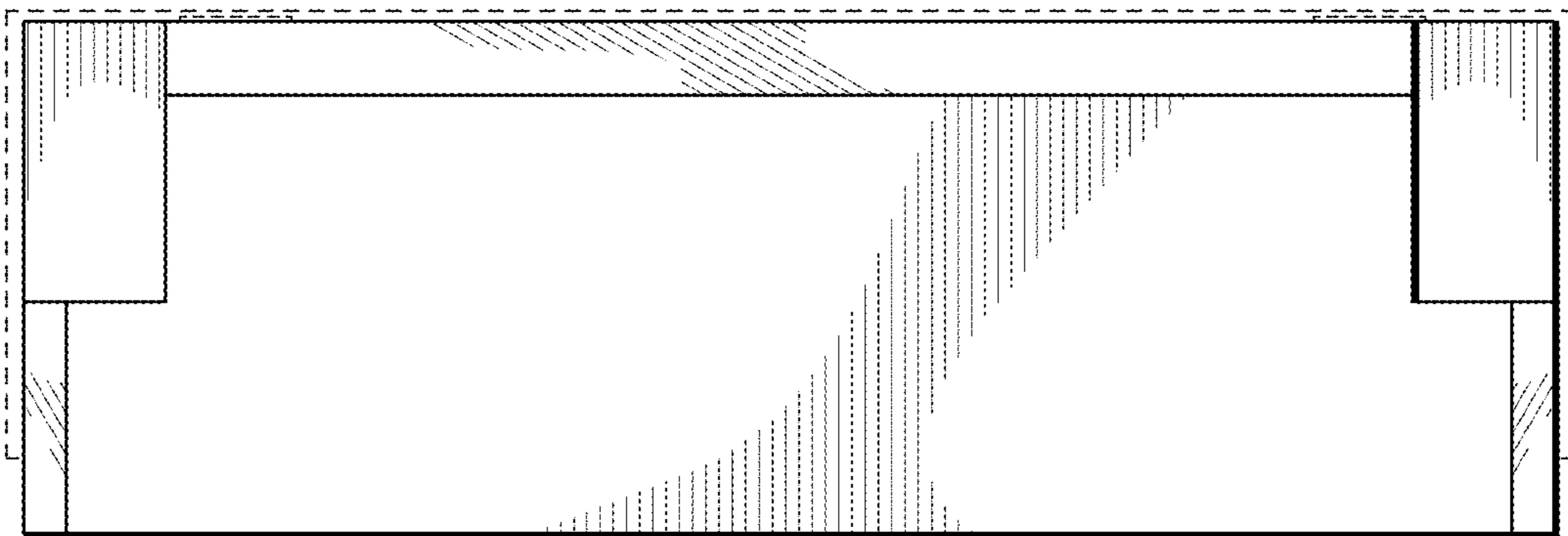


FIG. 21

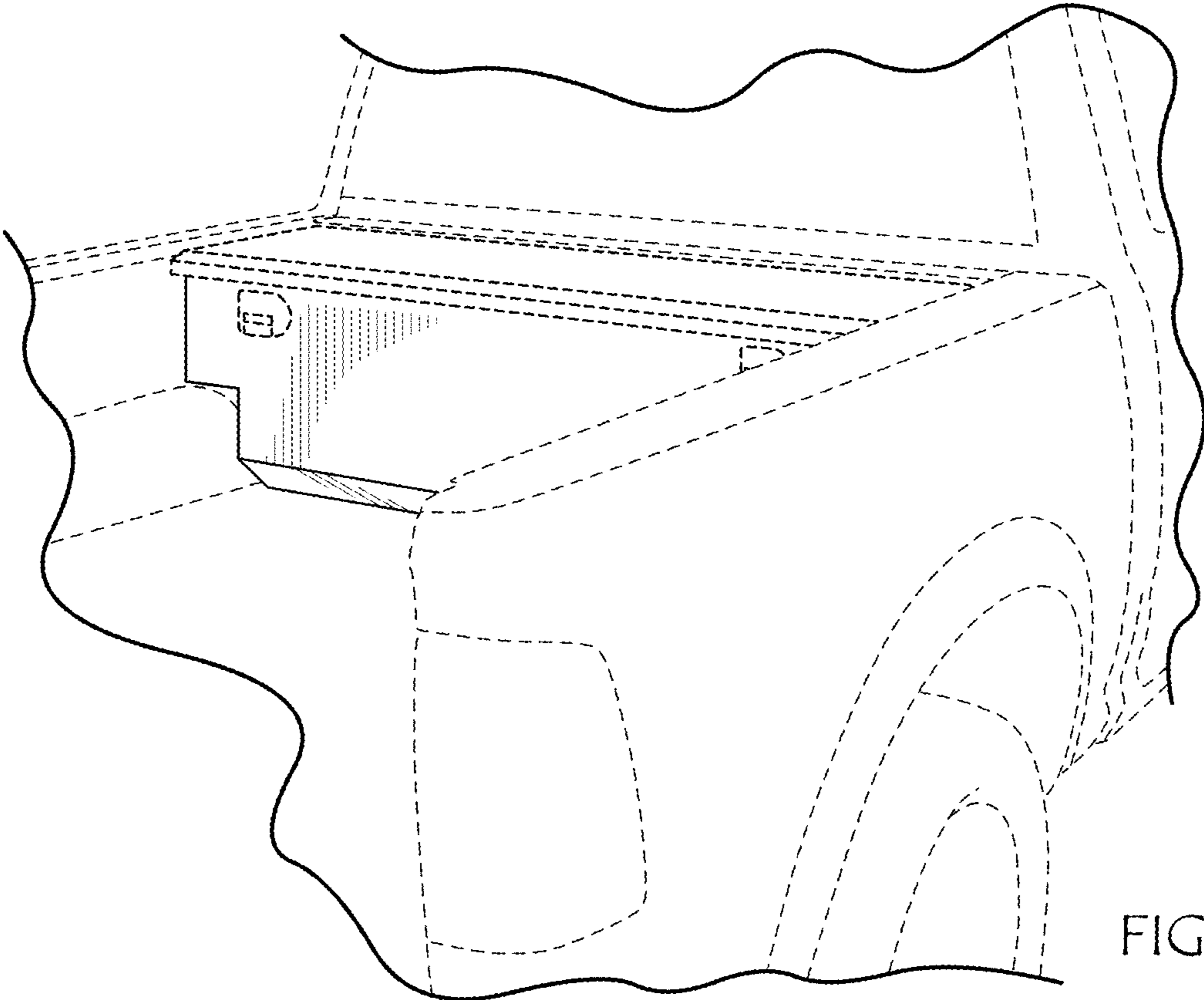


FIG. 22

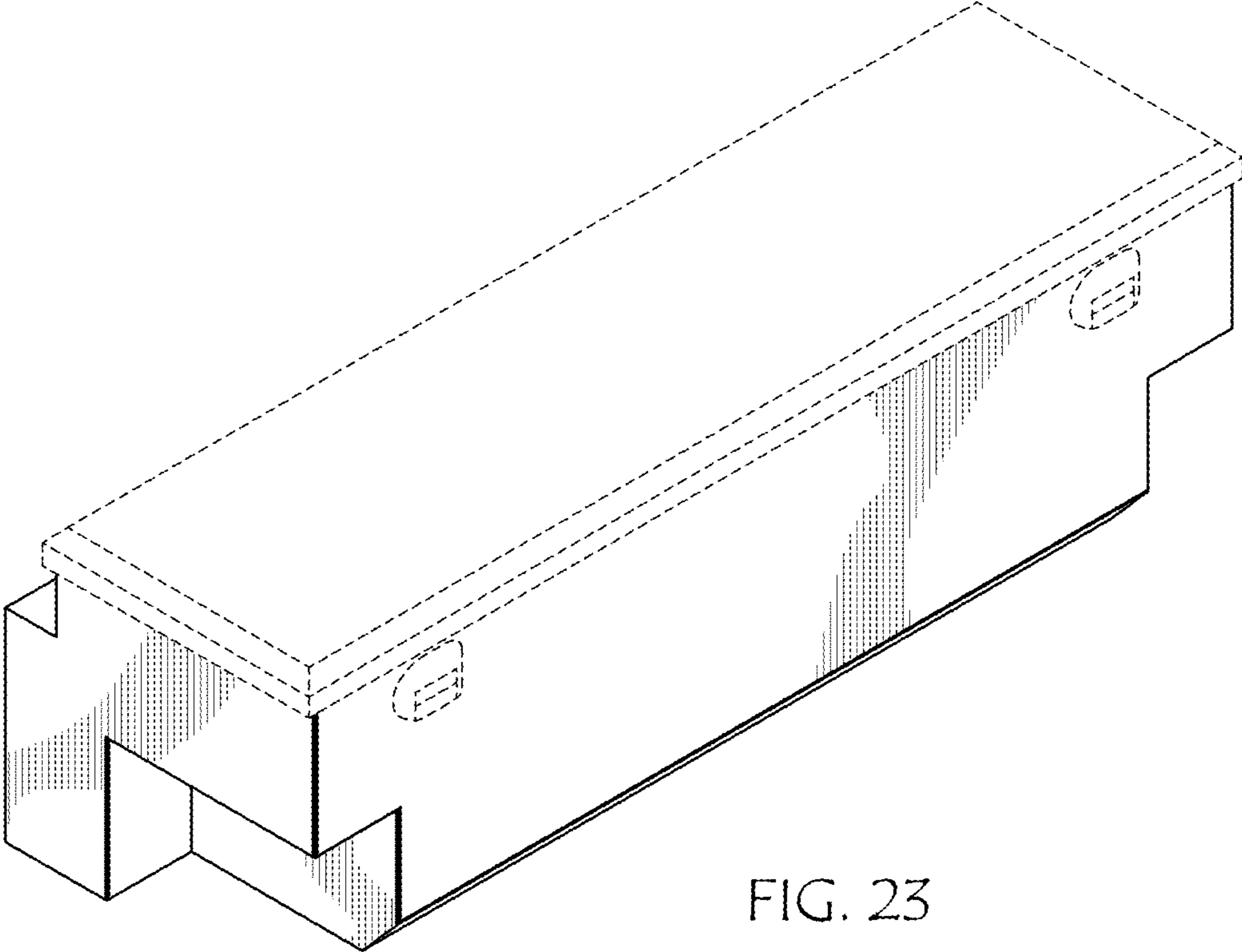


FIG. 23

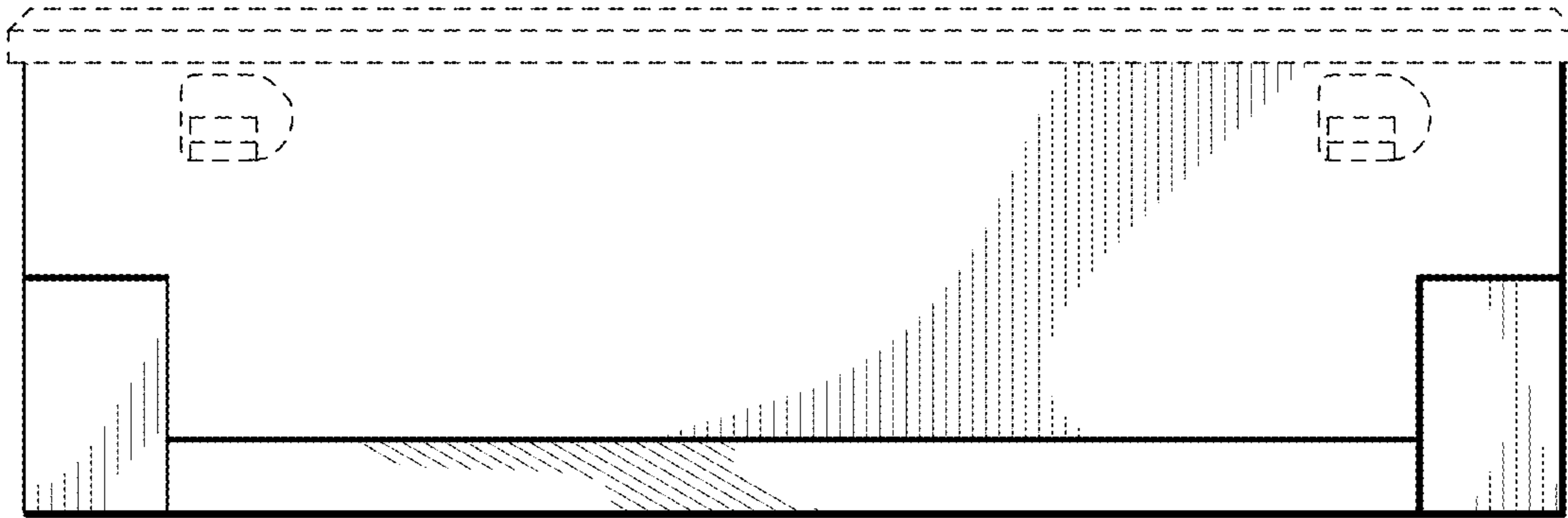


FIG. 24

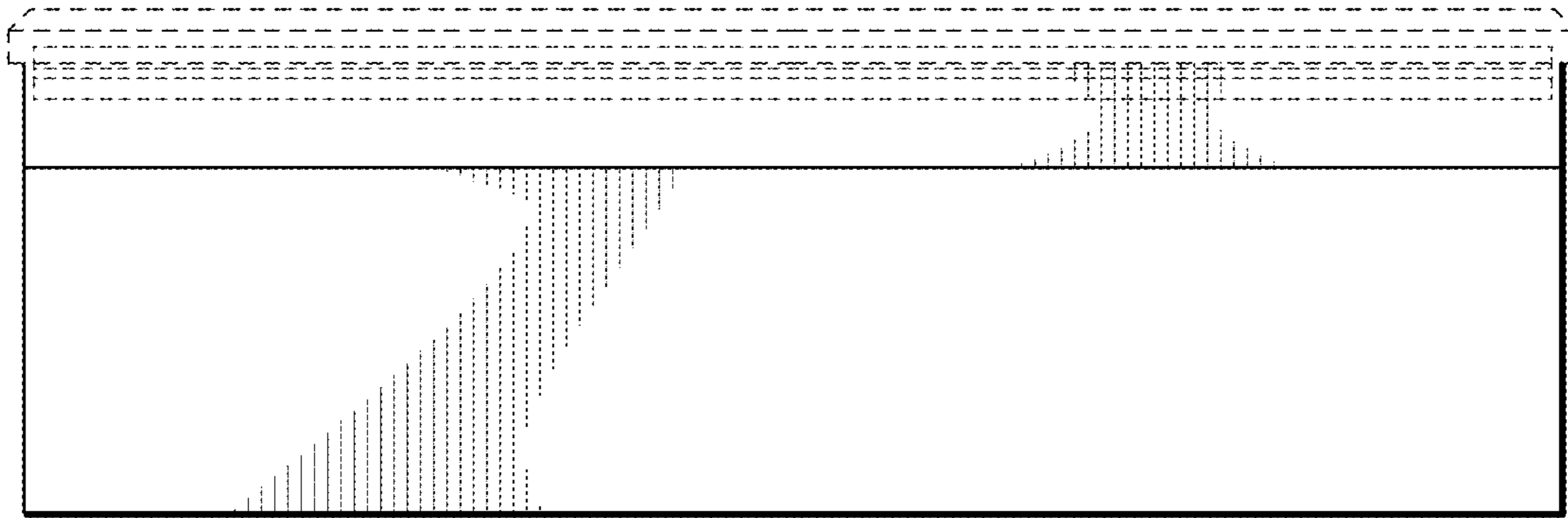


FIG. 25

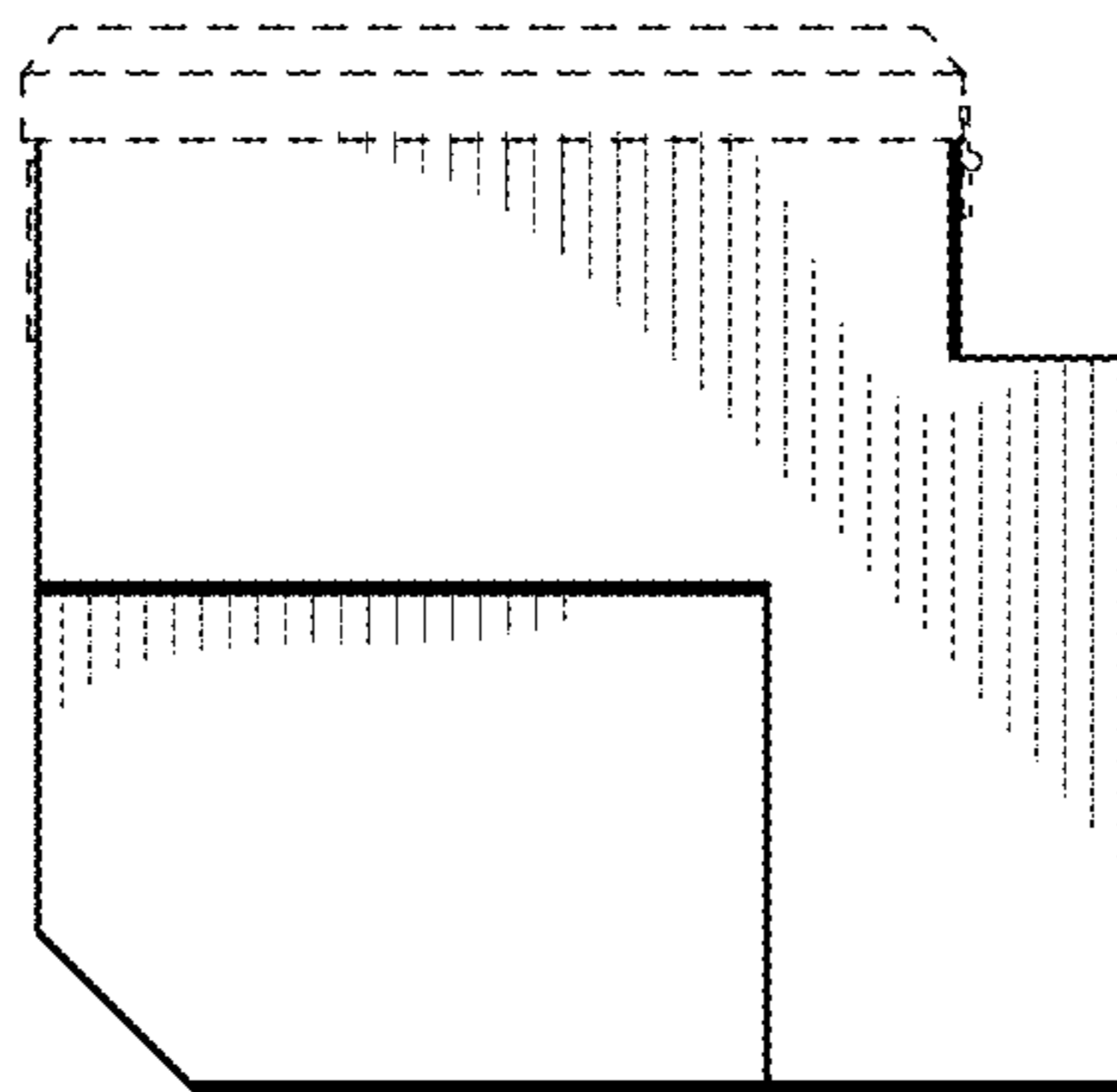


FIG. 26

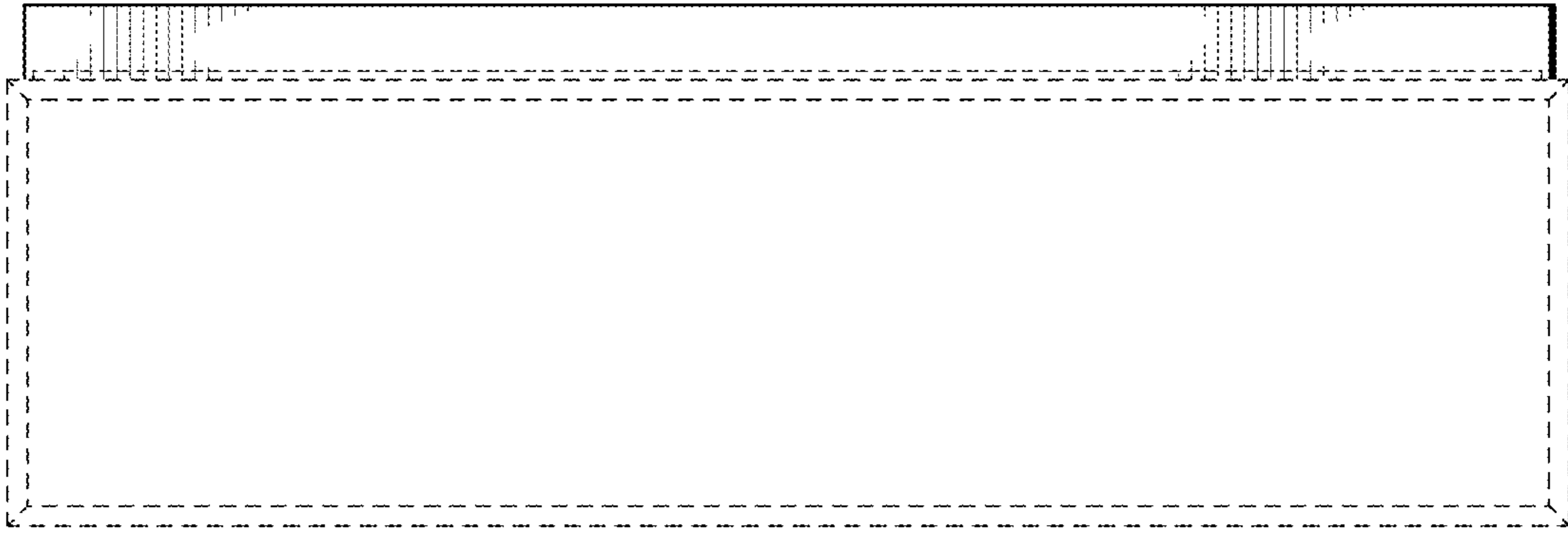


FIG. 27

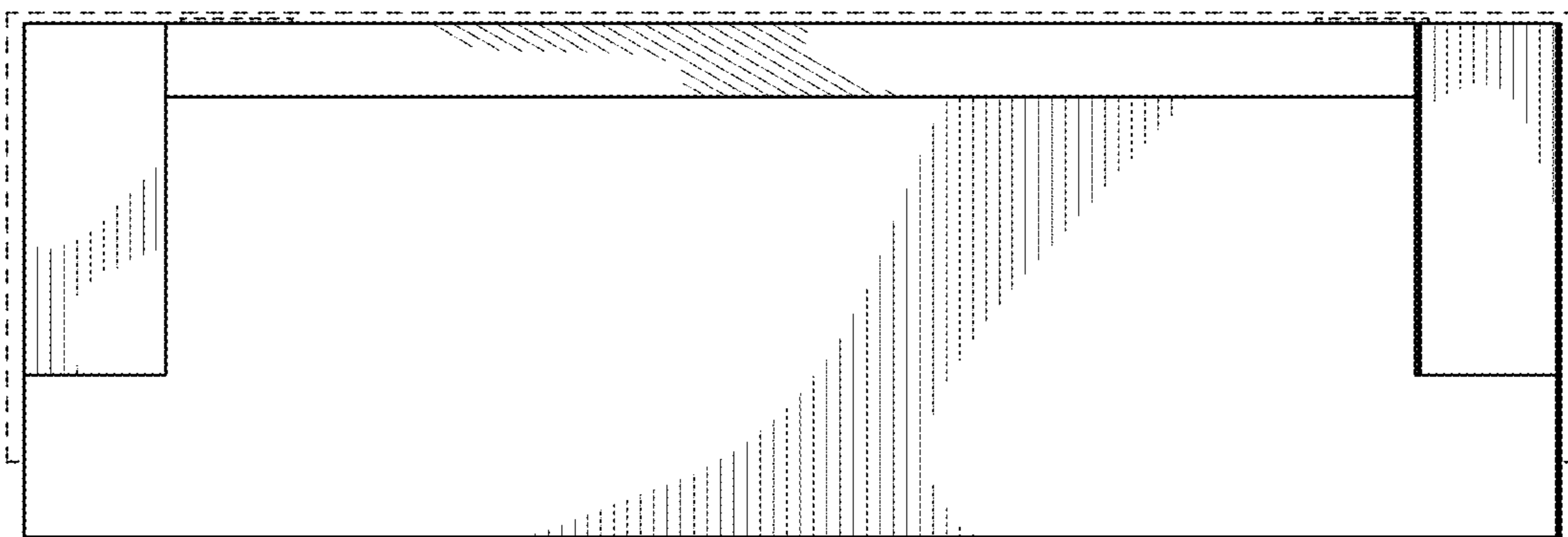


FIG. 28