



US00D772140S

(12) **United States Design Patent**
Race

(10) **Patent No.:** **US D772,140 S**

(45) **Date of Patent:** **** Nov. 22, 2016**

(54) **DECORATIVE HINGE FOR VEHICLE TOOL BOXES**

D713,323 S * 9/2014 Gearner, III D12/414.1
D720,281 S * 12/2014 Grant D12/414.1
D722,008 S * 2/2015 Tuel D12/414.1

(71) Applicant: **Randall Craig Race**, Lilburn, GA (US)

* cited by examiner

(72) Inventor: **Randall Craig Race**, Lilburn, GA (US)

Primary Examiner — Katrina A Betton

(**) Term: **14 Years**

(57) **CLAIM**

(21) Appl. No.: **29/474,869**

The ornamental design for a decorative hinge for a vehicle tool box, as shown and described.

(22) Filed: **Mar. 2, 2015**

DESCRIPTION

(51) **LOC (10) Cl.** **12-99**

(52) **U.S. Cl.**
USPC **D12/414.1**

(58) **Field of Classification Search**
USPC D12/414.1, 414, 413, 412, 221,
D12/406.157, 423; D6/552, 317-319,
D6/513-514; D3/304-306; D32/35, 58
CPC B60R 7/02; Y10S 224/925
See application file for complete search history.

FIG. 1 is a top side perspective view of a decorative hinge for a vehicle tool box;
FIG. 2 is an enlarged bottom perspective view of a decorative hinge for a vehicle tool box;
FIG. 3 is a bottom side perspective view of a decorative hinge for a vehicle tool box;
FIG. 4 is an end view of a decorative hinge for a vehicle tool box;
FIG. 5 is a top plan view of a decorative hinge for a vehicle tool box; and,
FIG. 6 is a rear plan view of a decorative hinge for a vehicle tool box.

(56) **References Cited**

U.S. PATENT DOCUMENTS

D539,727 S * 4/2007 O'Connor D12/414.1
D564,437 S * 3/2008 Moore D12/414.1
D566,646 S * 4/2008 Whittaker D12/414.1
D623,121 S * 9/2010 Lewis D12/414.1
D630,015 S * 1/2011 Weng D12/414.1
D658,373 S * 5/2012 Gros D12/414.1

The breaks in the drawing figures show no specific length. In the drawings, the broken lines show a vehicle and portions of a tool box that form no part of the claimed design.

1 Claim, 4 Drawing Sheets

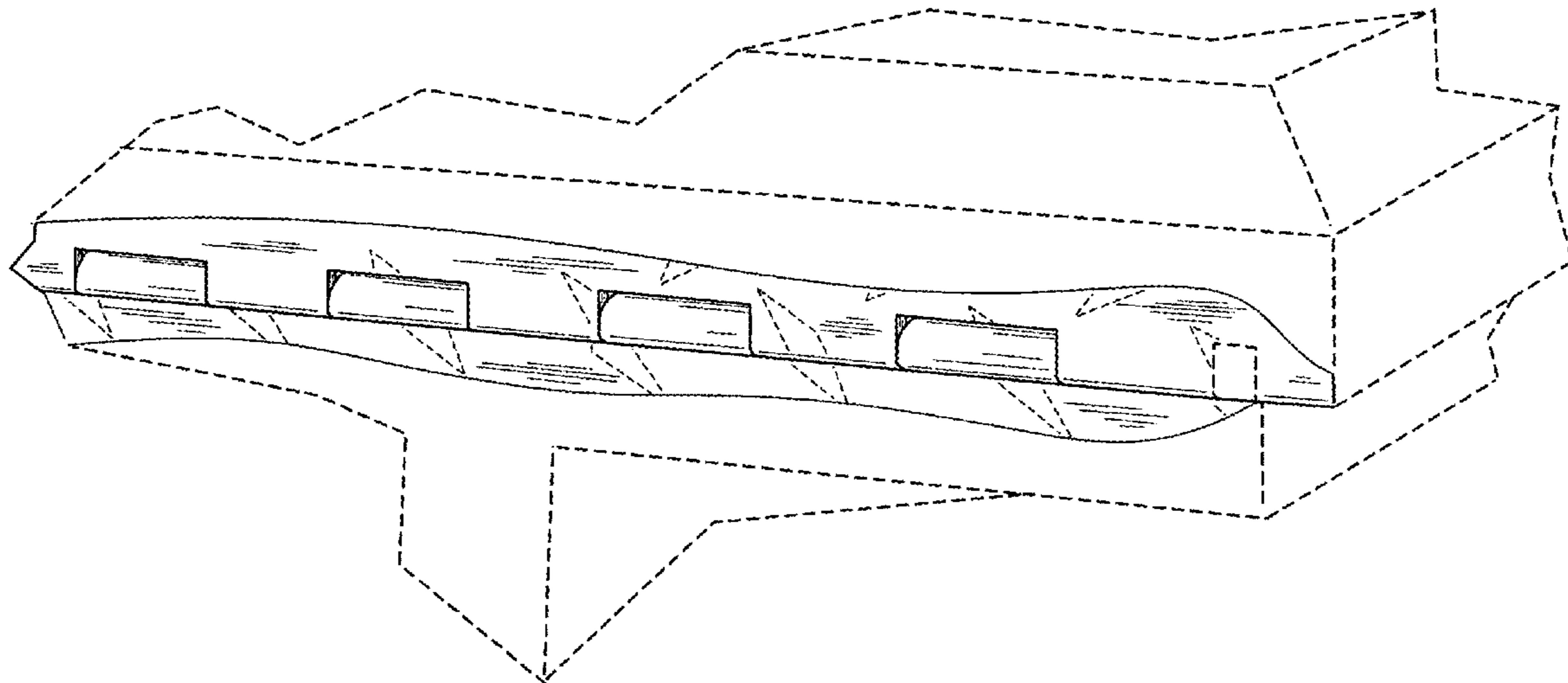
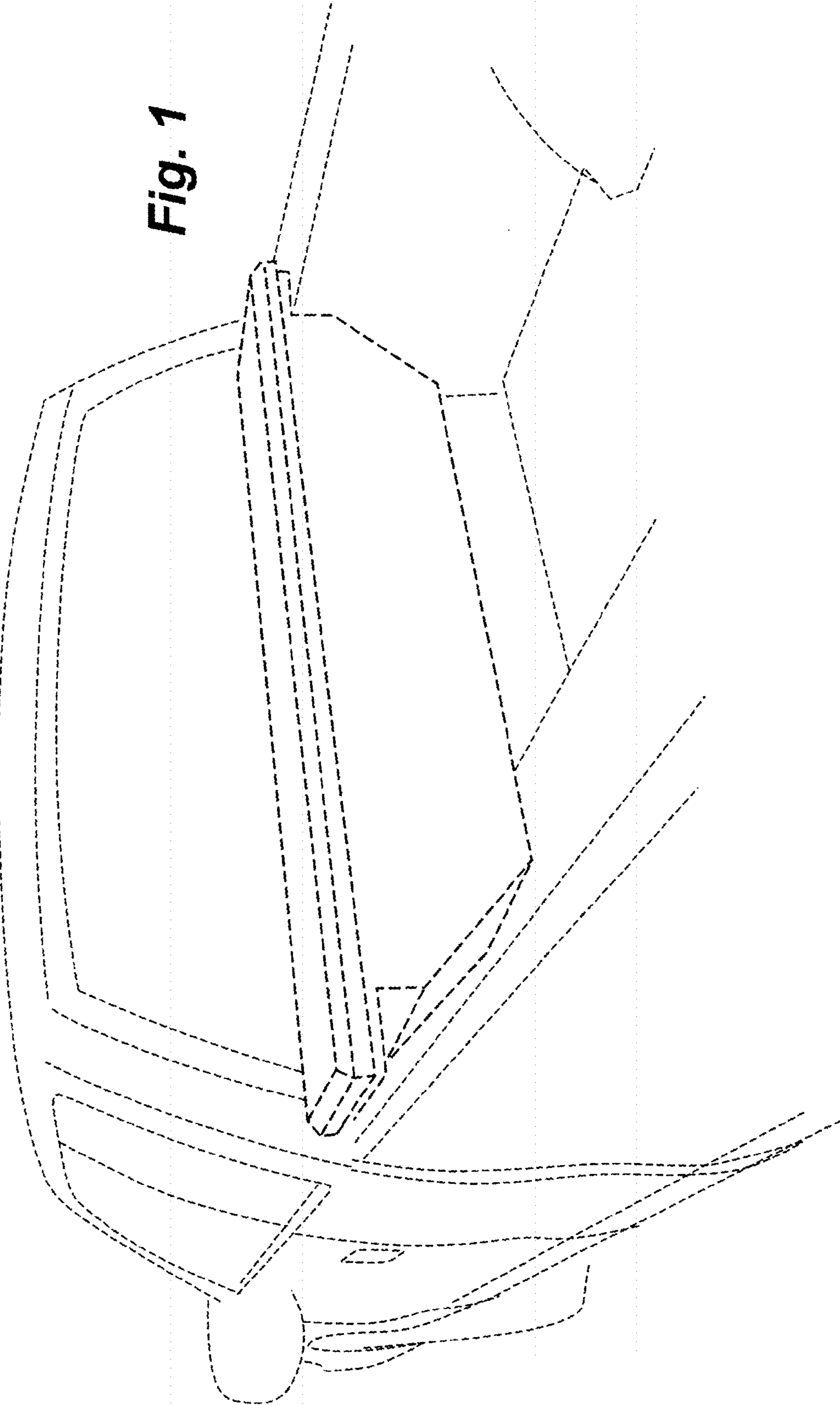


Fig. 1



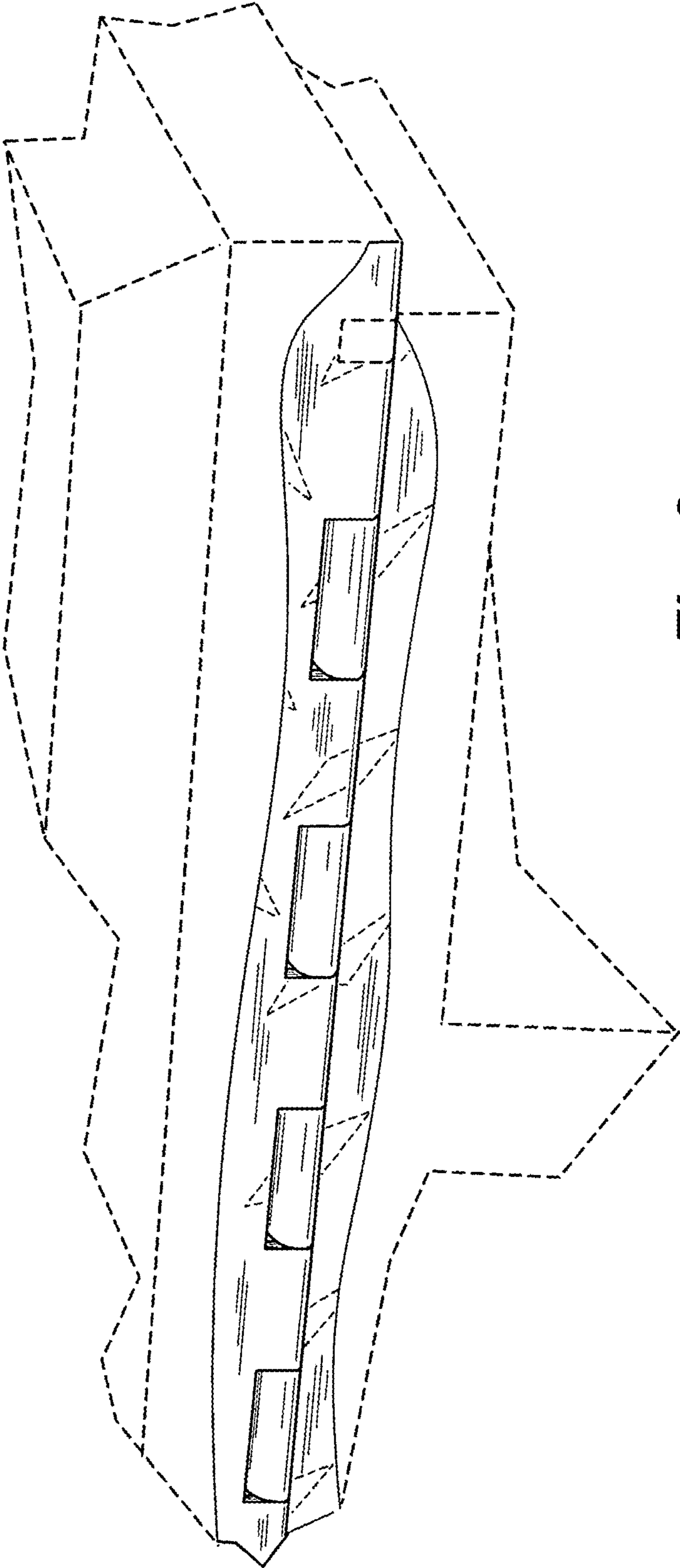


Fig. 2

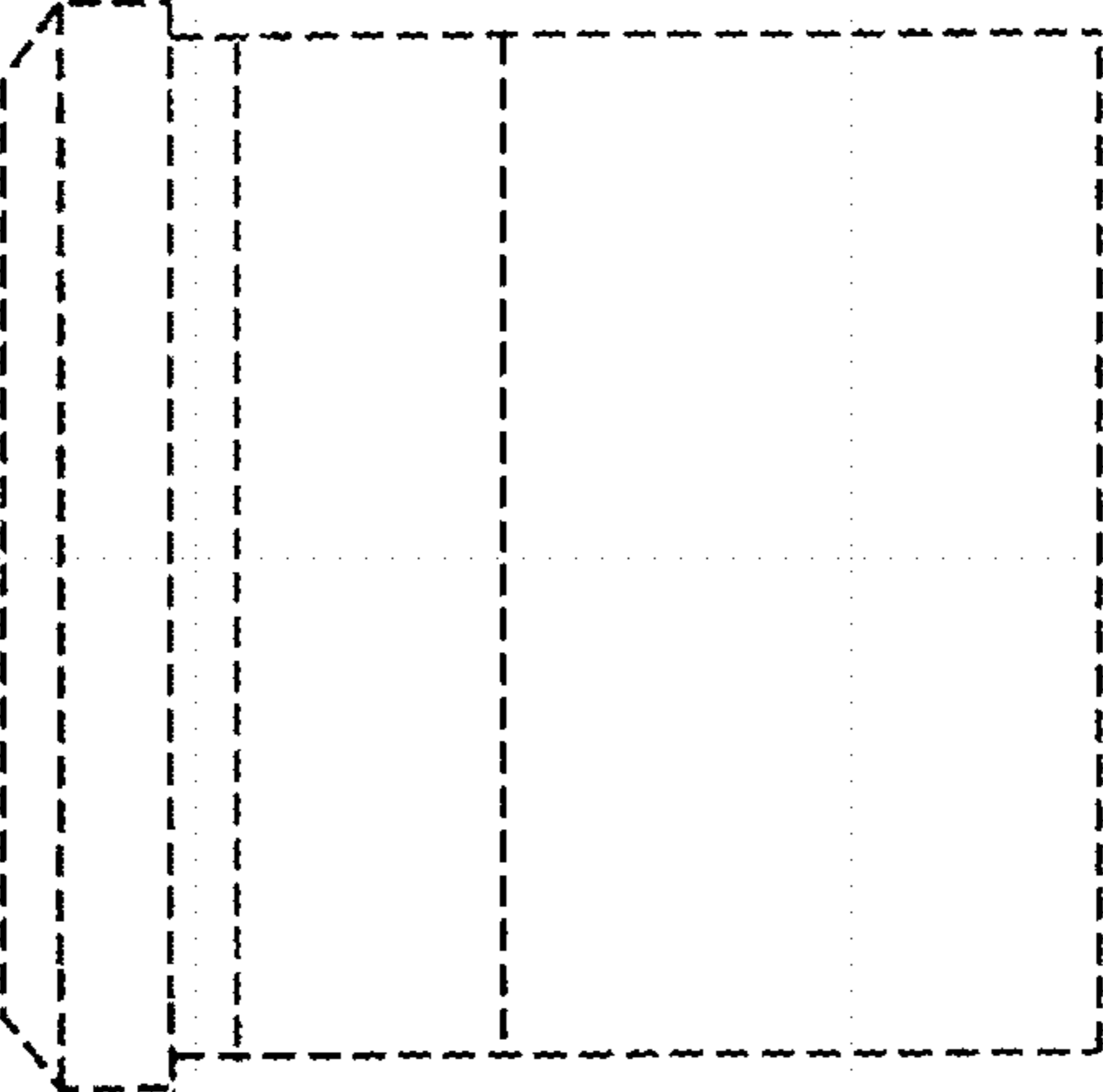


Fig. 4

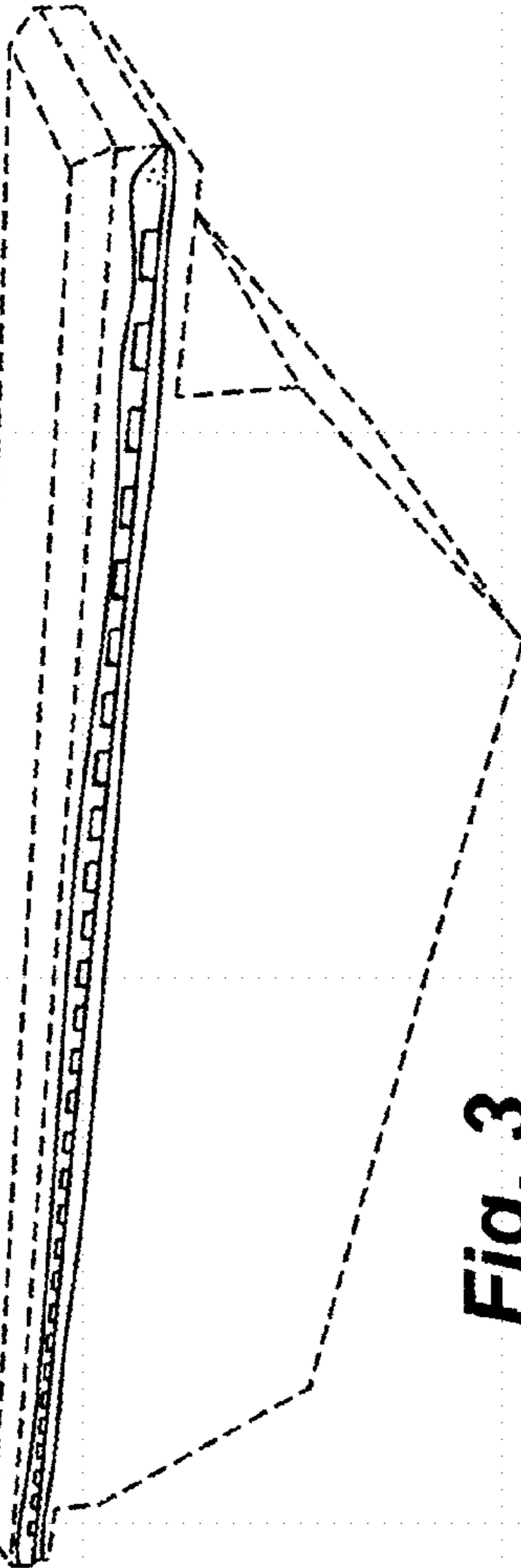


Fig. 3

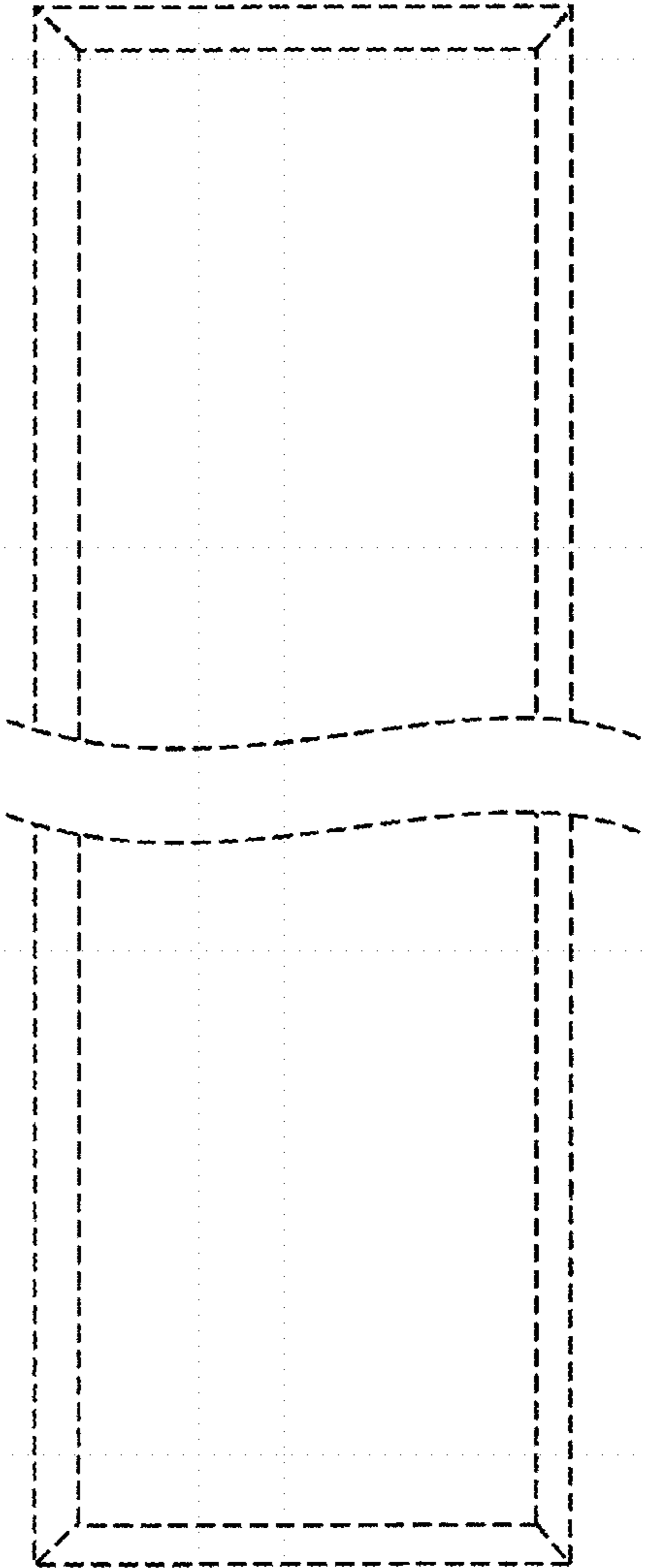


Fig. 5

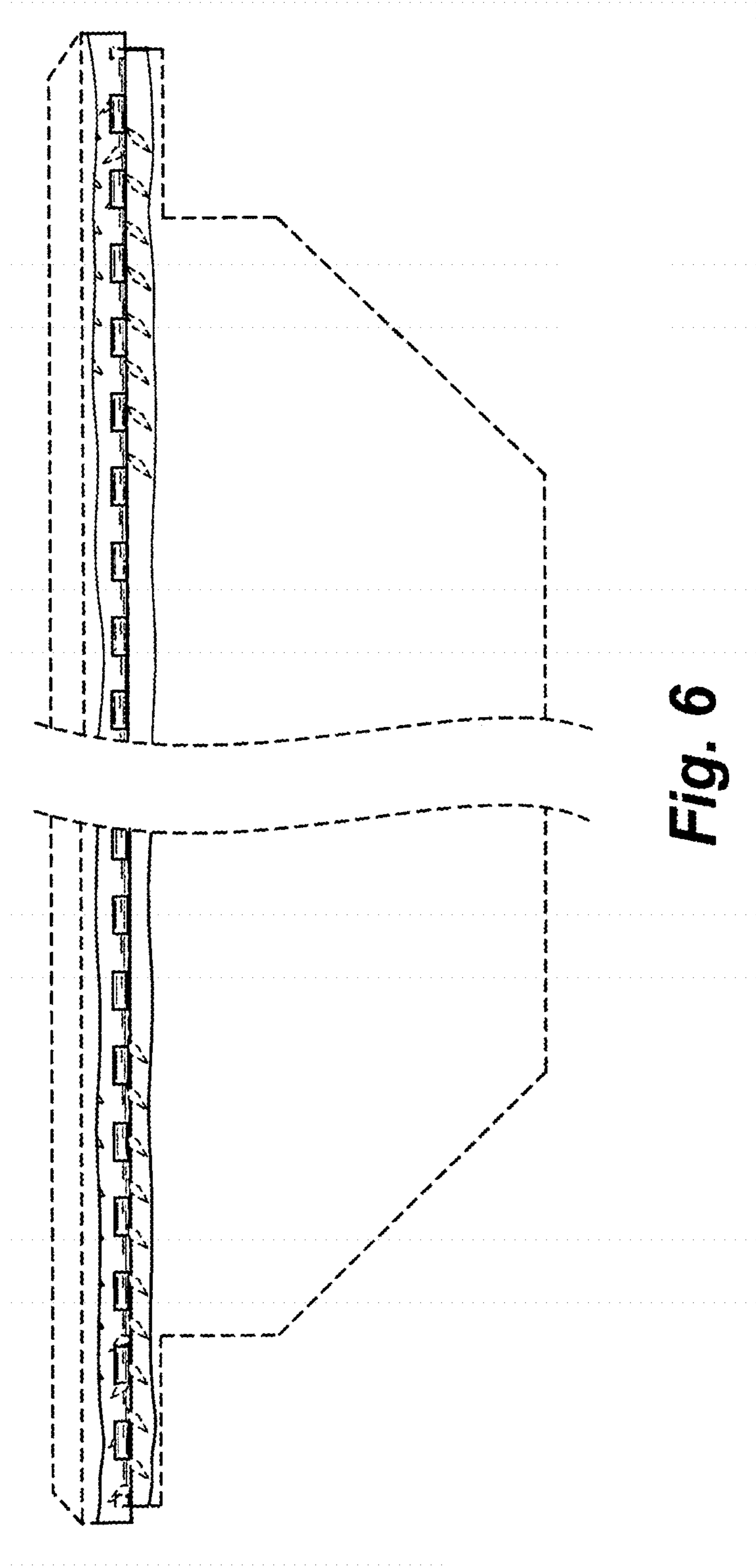


Fig. 6