



US00D772139S

(12) **United States Design Patent**  
**Hill**

(10) **Patent No.:** **US D772,139 S**

(45) **Date of Patent:** **\*\* Nov. 22, 2016**

(54) **FRAME AND DRAWBAR FOR A PORTABLE  
ICE FISHING AND CAMPING SHELTER**

(71) Applicant: **Curt J. Hill**, Warba, MN (US)

(72) Inventor: **Curt J. Hill**, Warba, MN (US)

(\*\*) Term: **14 Years**

(21) Appl. No.: **29/519,072**

(22) Filed: **Mar. 2, 2015**

(51) **LOC (10) Cl.** ..... **12-16**

(52) **U.S. Cl.**  
USPC ..... **D12/412**

(58) **Field of Classification Search**  
USPC ..... D12/412, 406, 413, 414, 414.1;  
D6/552; D3/304-306  
CPC ..... B60R 9/00; B60R 9/02; B60R 9/04;  
B60R 9/08; B60R 9/042; B60R 9/0423;  
B60R 9/0426; B60R 9/045; B60R 9/048;  
B60R 9/05; B60R 9/052; B60R 9/055  
See application file for complete search history.

(56) **References Cited**

**U.S. PATENT DOCUMENTS**

- 3,710,999 A \* 1/1973 Allen ..... B60R 9/06  
224/321
- 4,394,948 A \* 7/1983 Graber ..... B60R 9/06  
224/314
- D288,193 S \* 2/1987 Caron ..... D12/412

- 4,785,980 A \* 11/1988 Redick ..... B60R 9/12  
206/315.1
- D477,562 S \* 7/2003 McCoy ..... D12/406
- D508,014 S \* 8/2005 Heravi ..... D12/406
- D586,287 S \* 2/2009 McBride ..... D12/106
- D624,486 S \* 9/2010 Shipp, Jr. .... D12/412

\* cited by examiner

*Primary Examiner* — Katrina A Betton  
(74) *Attorney, Agent, or Firm* — Dennis L. Thomte;  
Thomte Patent Law Office LLC

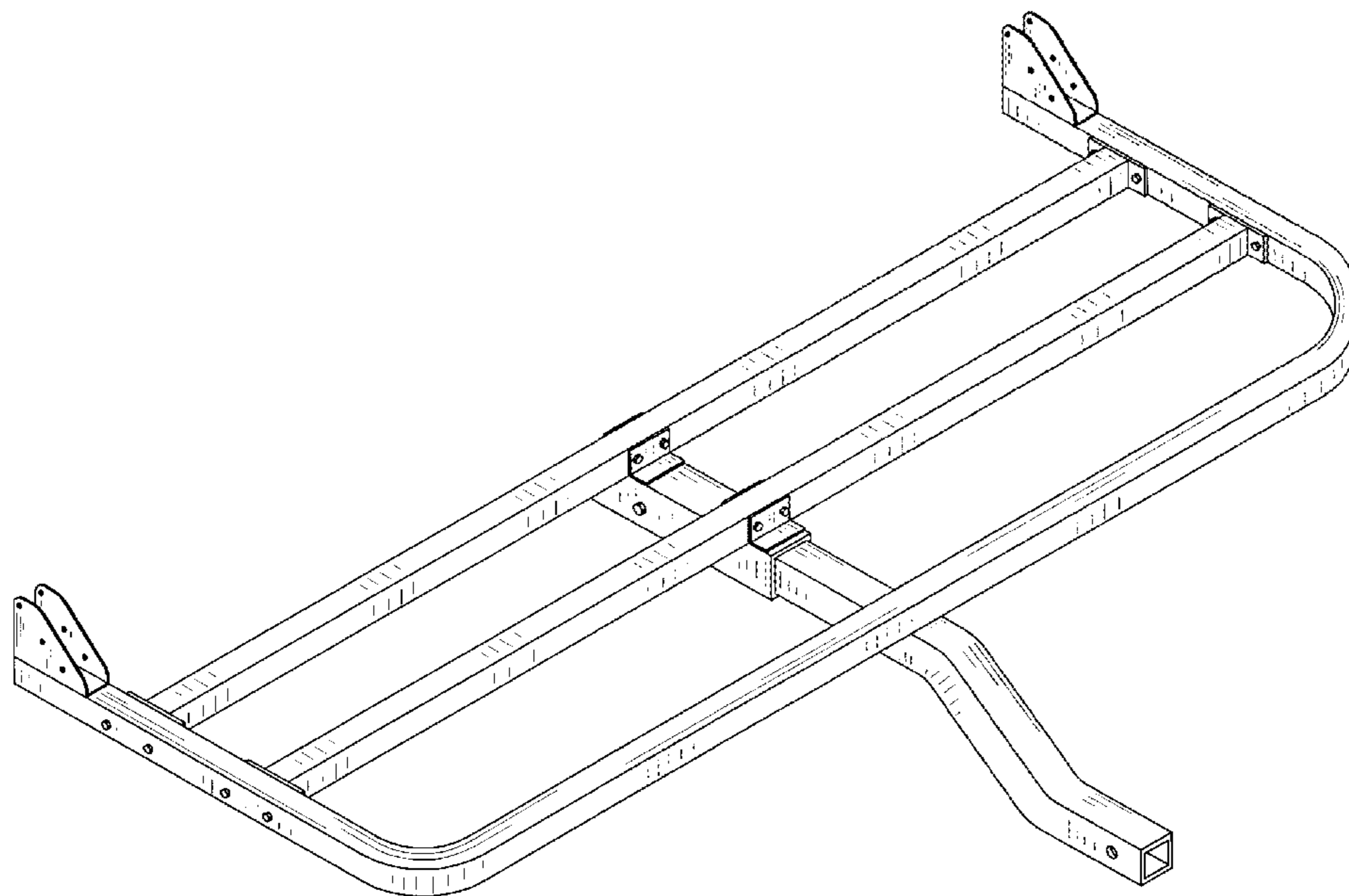
(57) **CLAIM**

The ornamental design for a frame and drawbar for a portable ice fishing and camping shelter, as shown and described.

**DESCRIPTION**

FIG. 1 is a perspective view of the frame and drawbar of this invention;  
 FIG. 2 is a top view of the frame and drawbar of this invention;  
 FIG. 3 is a bottom view of the frame and drawbar of this invention;  
 FIG. 4 is a rear end view of the frame and drawbar of this invention;  
 FIG. 5 is a front end view of the frame and drawbar of this invention;  
 FIG. 6 is side view of the frame and drawbar of this invention; and,  
 FIG. 7 is a side view of the frame and drawbar of this invention.

**1 Claim, 5 Drawing Sheets**



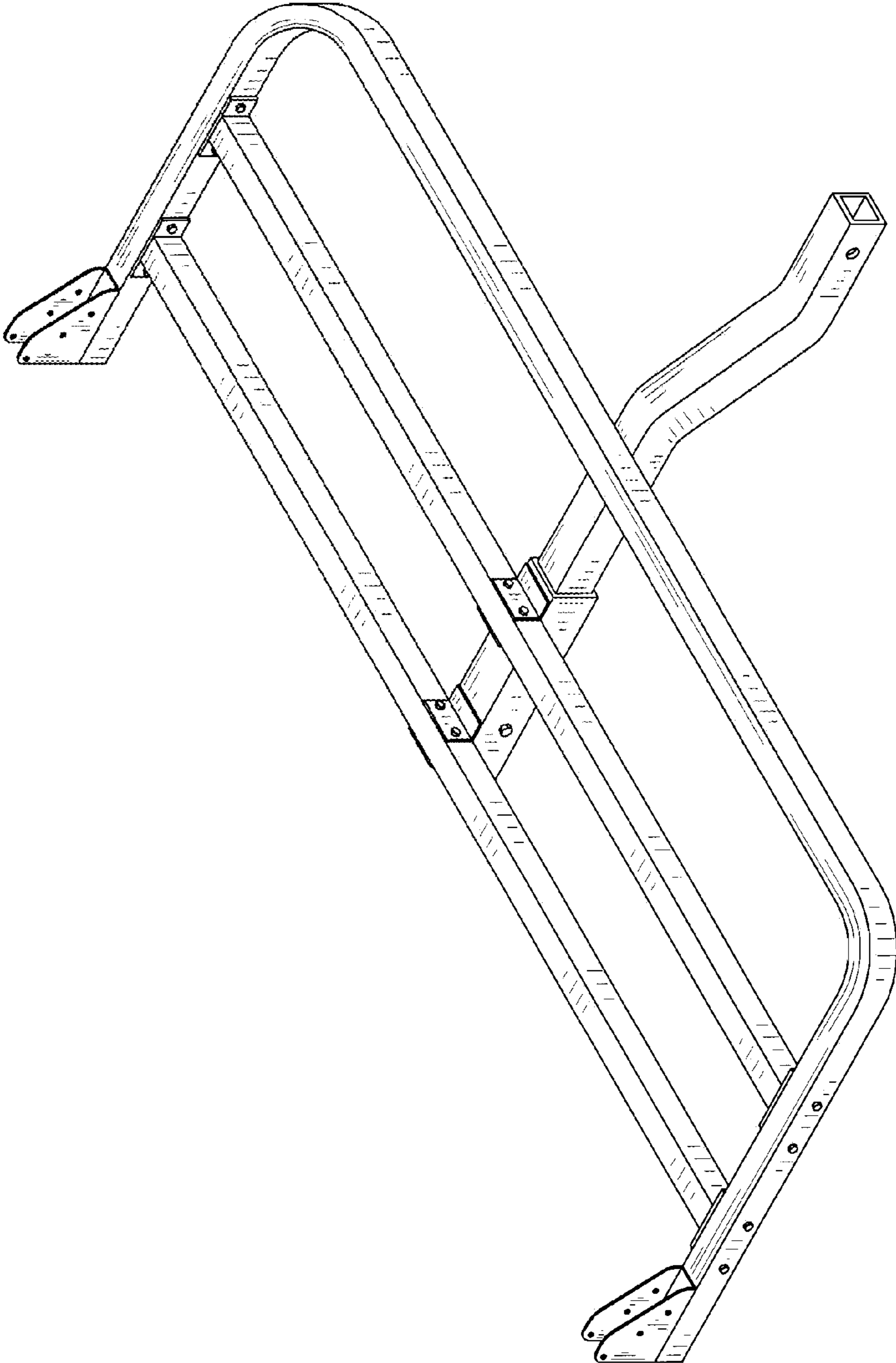


FIG. 1

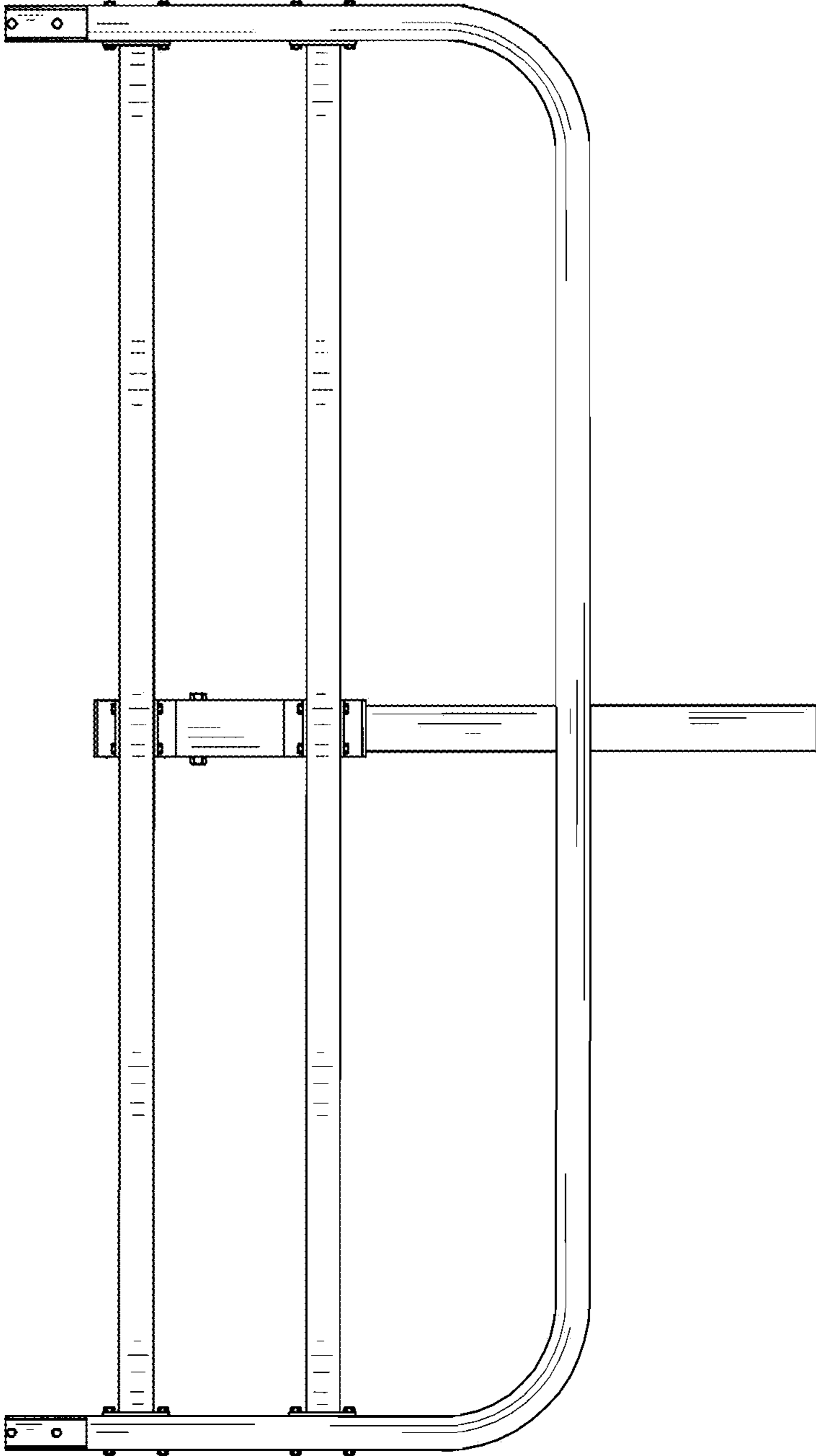


FIG. 2

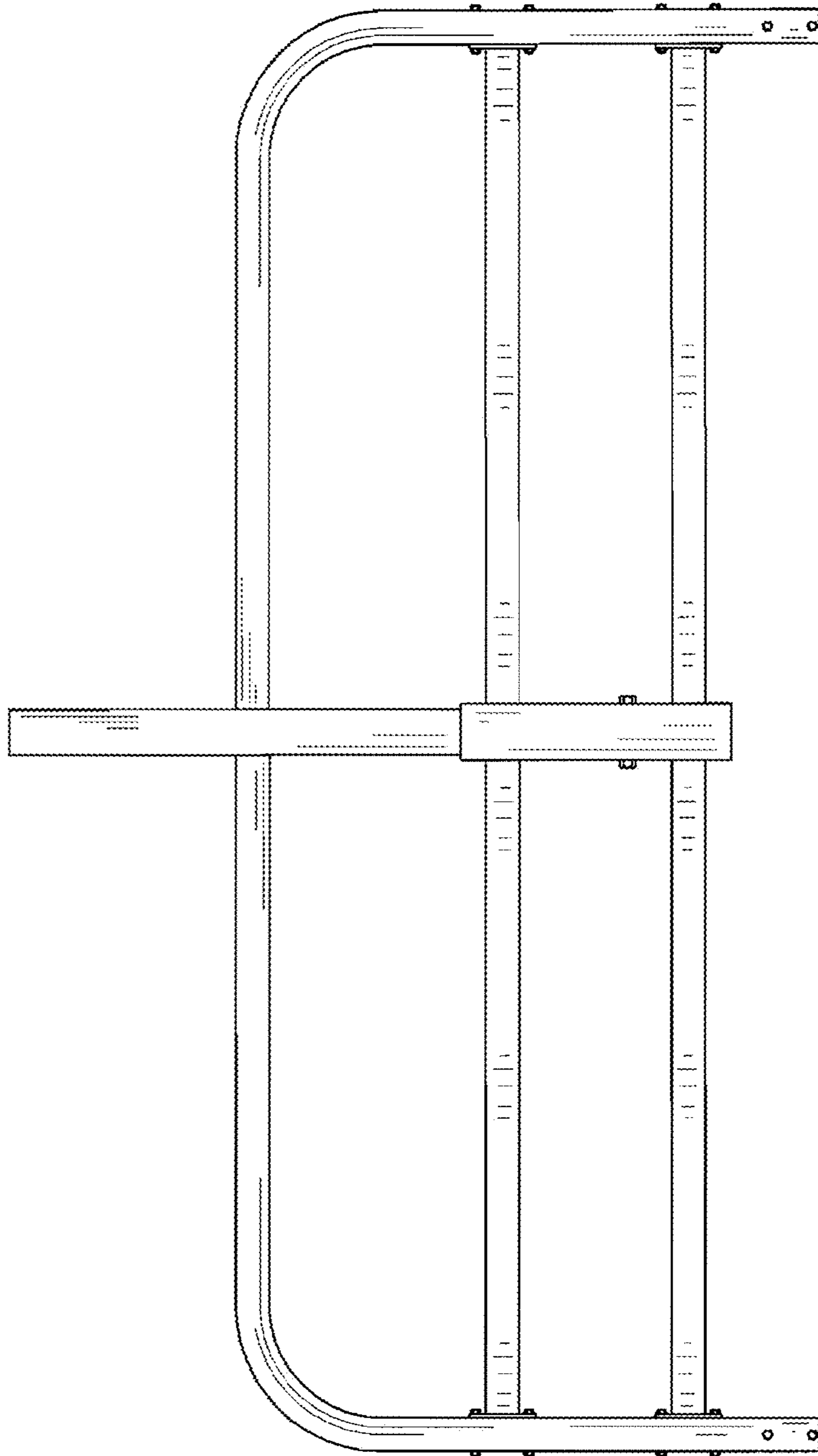


FIG. 3

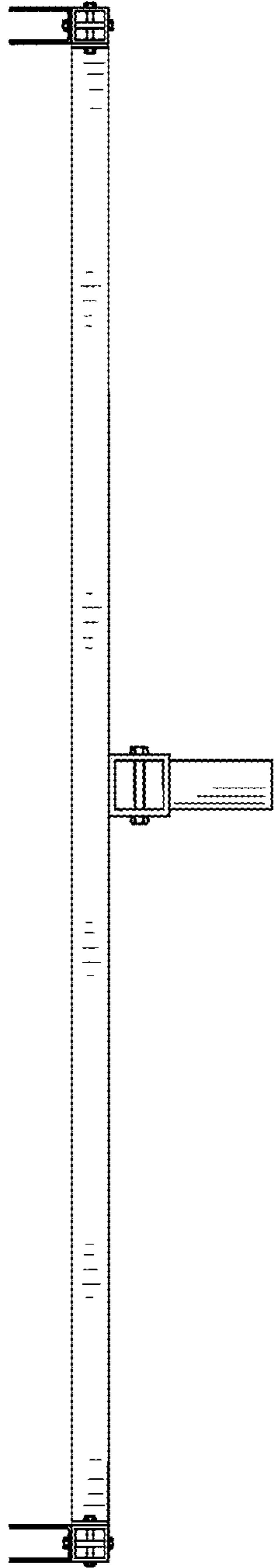


FIG. 4

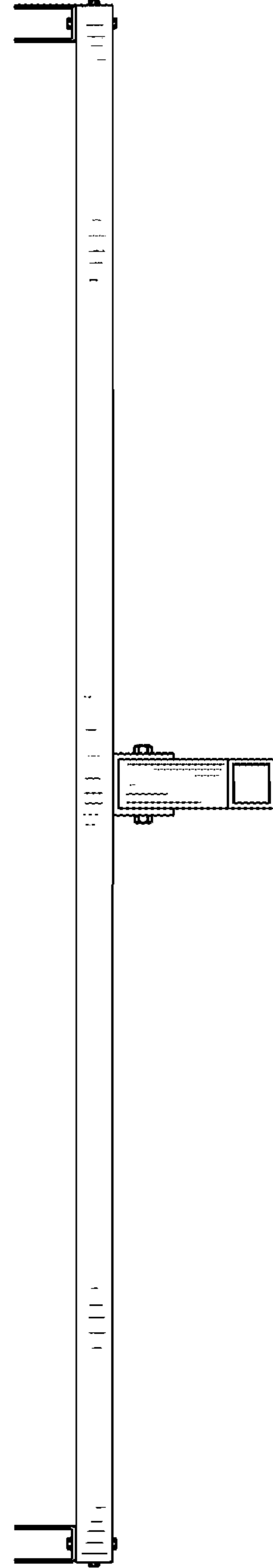


FIG. 5

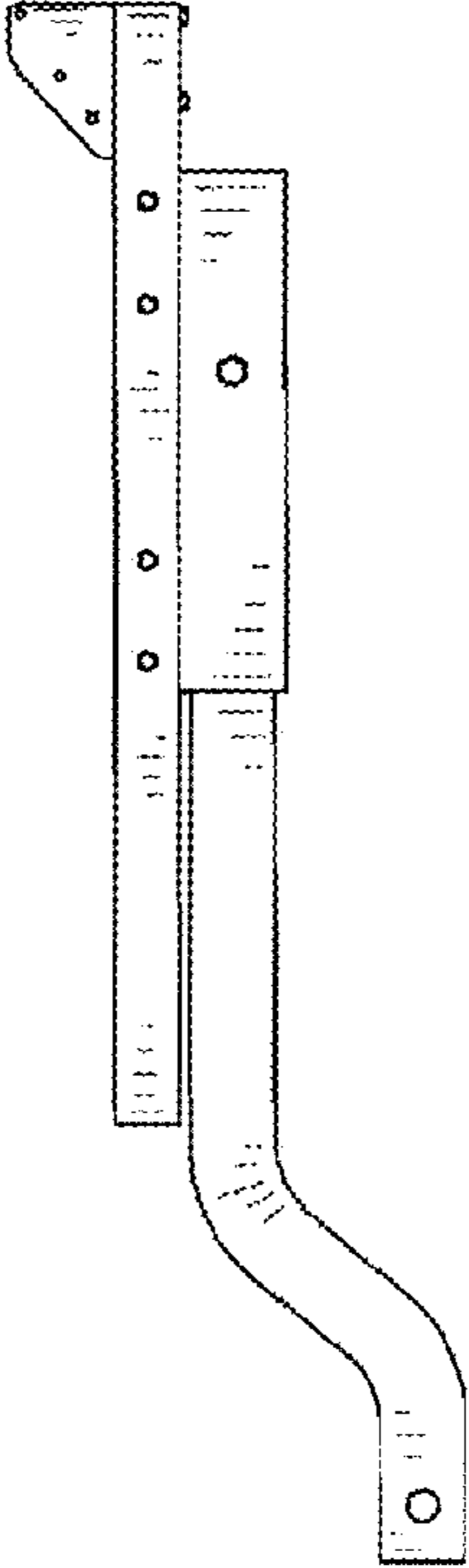


FIG. 7

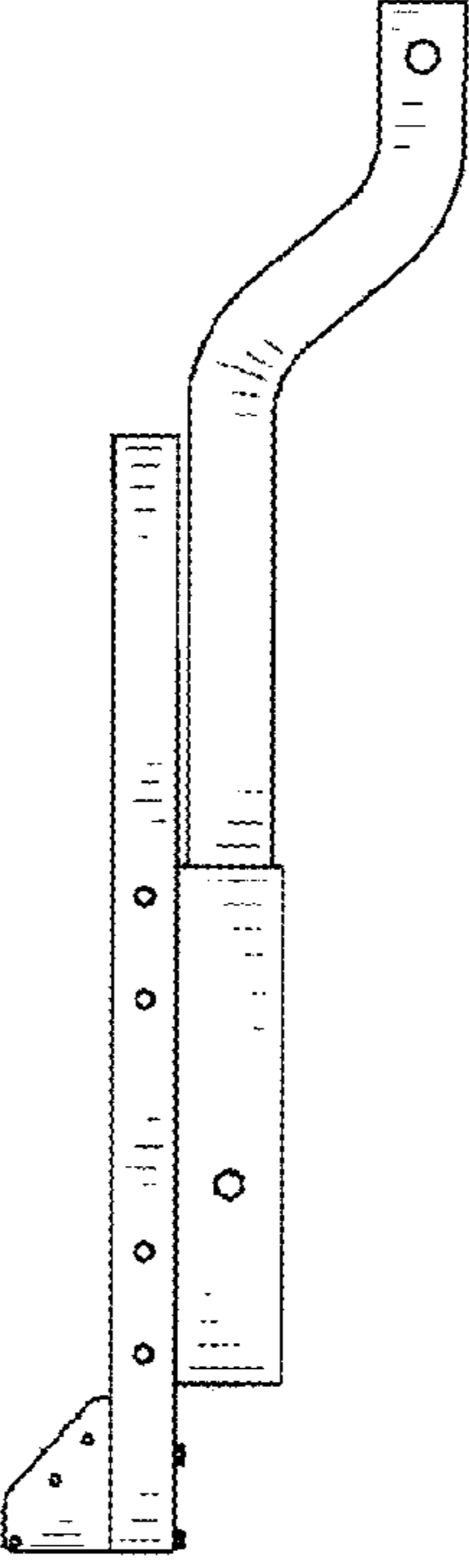


FIG. 6