



US00D772136S

(12) **United States Design Patent**
Deurr et al.

(10) **Patent No.:** **US D772,136 S**
(45) **Date of Patent:** **** Nov. 22, 2016**

- (54) **CUDDY CABIN**
- (71) Applicant: **PREMIER MARINE, INC.**, Wyoming, MN (US)
- (72) Inventors: **John Deurr**, Stacy, MN (US); **David Grovender**, North Branch, MN (US)
- (73) Assignee: **Premier Marine, Inc.**, Wyoming, MN (US)
- (**) Term: **15 Years**
- (21) Appl. No.: **29/534,684**
- (22) Filed: **Jul. 30, 2015**
- (51) **LOC (10) Cl.** **12-06**
- (52) **U.S. Cl.**
USPC **D12/318**
- (58) **Field of Classification Search**
USPC D12/300-318
CPC B63B 29/00; B63B 29/02; B63B 29/029;
B63B 29/14; B63B 29/145
See application file for complete search history.

| | | | | |
|-------------------|---------|------------|-------|-----------------------|
| D341,566 S * | 11/1993 | Brooks | | D12/310 |
| 6,701,863 B2 * | 3/2004 | Kalhok | | B63B 17/02 114/343 |
| D516,495 S | 3/2006 | Menne | | |
| D520,441 S * | 5/2006 | Guvenc | | D12/300 |
| 7,040,248 B1 * | 5/2006 | Whitfield | | B63B 29/06 104/45 |
| 7,117,646 B2 * | 10/2006 | Blaisdell | | B63B 17/00 114/361 |
| 8,944,867 B2 | 2/2015 | Grovender | | |
| 9,403,581 B2 * | 8/2016 | Kalil | | B63B 29/02 |
| 2004/0266282 A1 * | 12/2004 | Hahn | | B63B 29/02 440/77 |
| 2009/0120341 A1 | 5/2009 | Kalil | | |
| 2011/0197800 A1 | 8/2011 | Kalil | | |
| 2015/0013585 A1 | 1/2015 | Kalil | | |
| 2015/0232151 A1 * | 8/2015 | Fuller, IV | | B63B 19/18 114/117 |

* cited by examiner

Primary Examiner — Cynthia M Chin
(74) *Attorney, Agent, or Firm* — Winthrop & Weinstine, P.A.

(57) **CLAIM**
The ornamental design for a cuddy cabin, as shown and described.

(56) **References Cited**

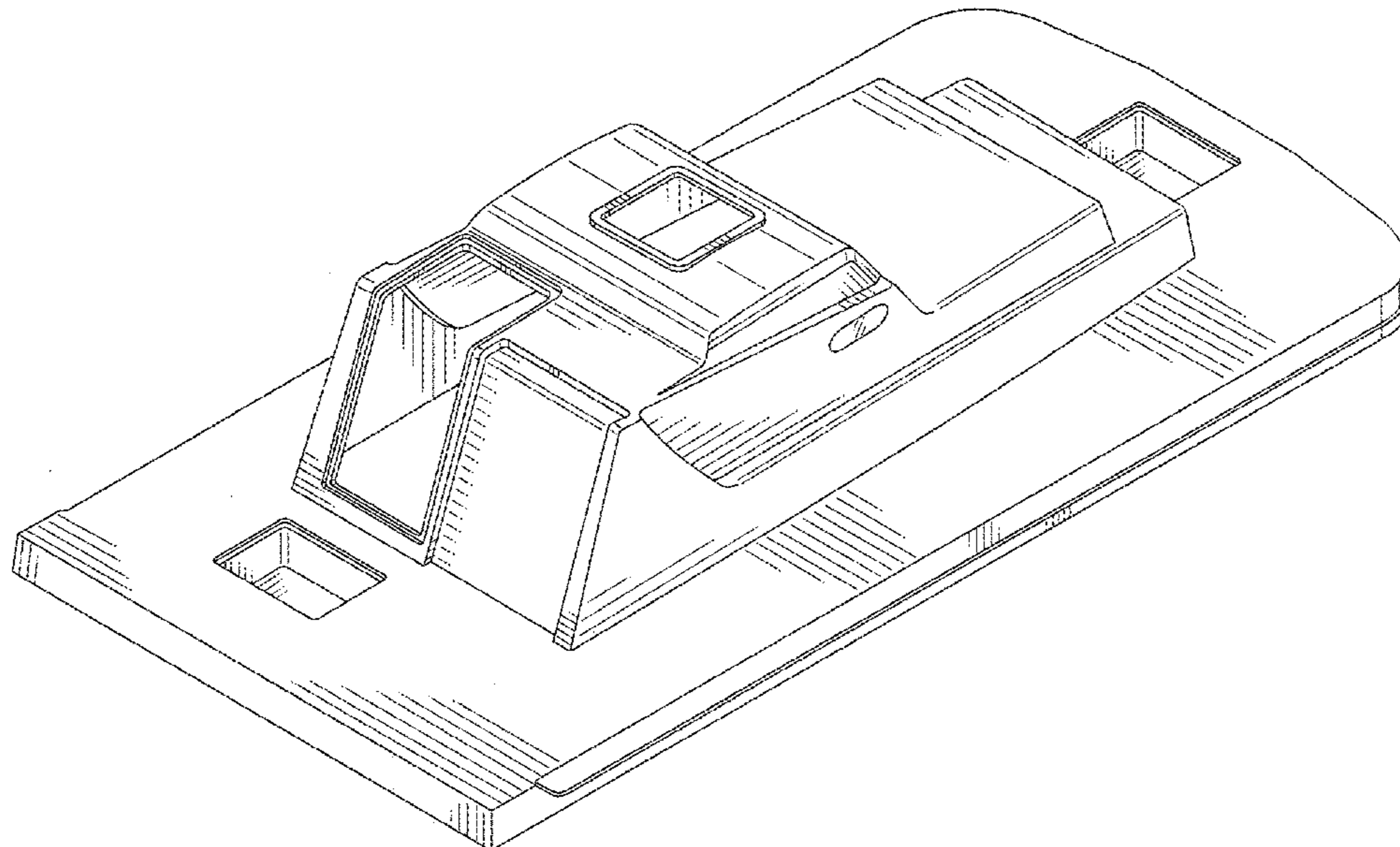
U.S. PATENT DOCUMENTS

| | | | | |
|---------------|--------|---------------|-------|-----------------------|
| 4,092,754 A | 6/1978 | Yost | | |
| 4,425,861 A * | 1/1984 | Raikamo | | B63B 29/02 114/202 |
| 4,685,411 A * | 8/1987 | Wick | | B63B 29/02 114/202 |
| 4,729,334 A * | 3/1988 | DeJean, Jr. | | B63B 29/04 114/255 |
| 5,029,348 A * | 7/1991 | Boren | | B63B 29/14 4/312 |
| 5,209,177 A | 5/1993 | Granie et al. | | |

DESCRIPTION

FIG. 1 is a perspective view of a section of a cuddy cabin in a deck for a pontoon boat;
FIG. 2 is a top view of FIG. 1;
FIG. 3 is a bottom view of FIG. 1;
FIG. 4 is a right side view of FIG. 1;
FIG. 5 is a left side view boat of FIG. 1;
FIG. 6 is a front view of FIG. 1; and,
FIG. 7 is a rear view of FIG. 1.

1 Claim, 5 Drawing Sheets



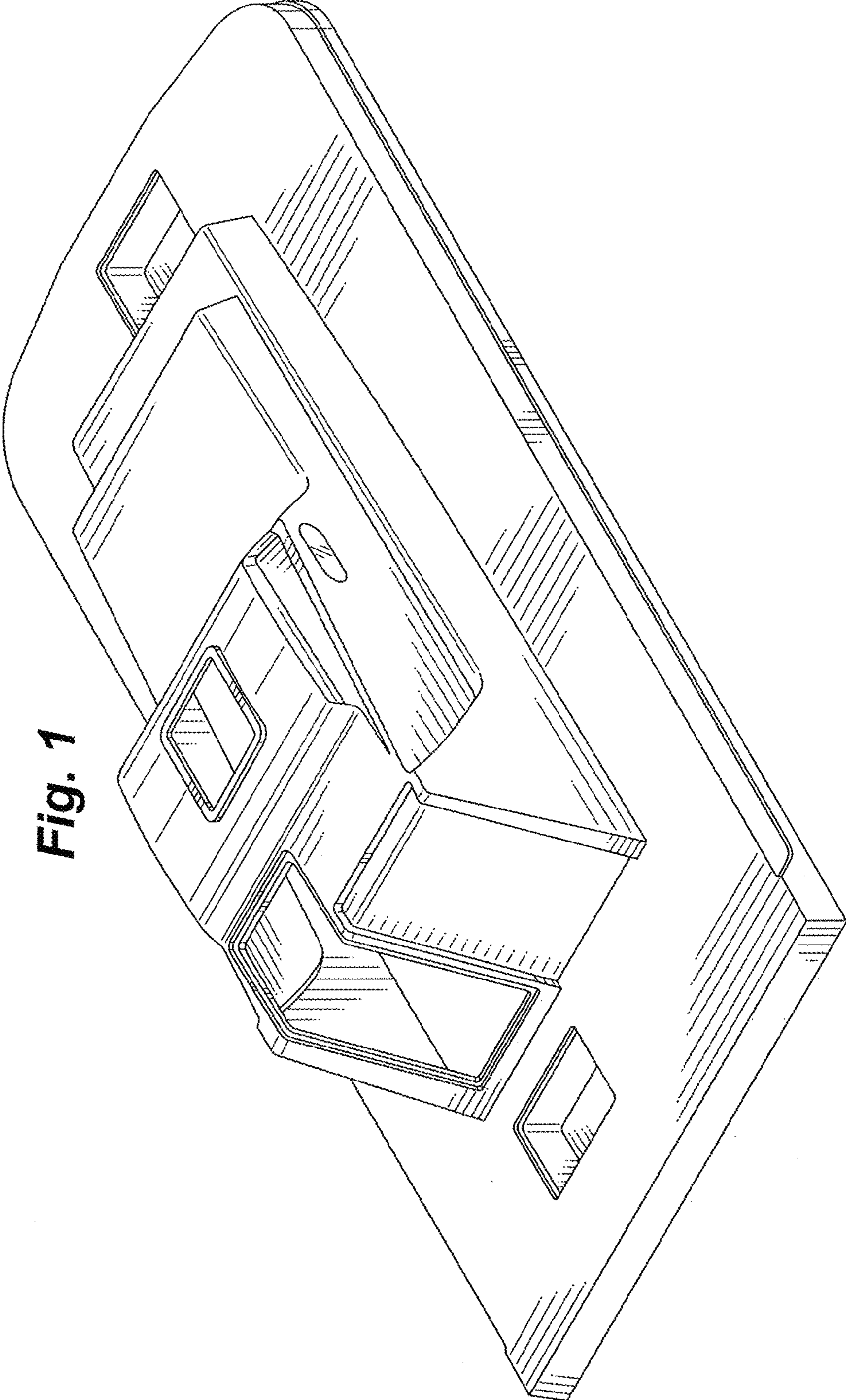


Fig. 1

Fig. 2

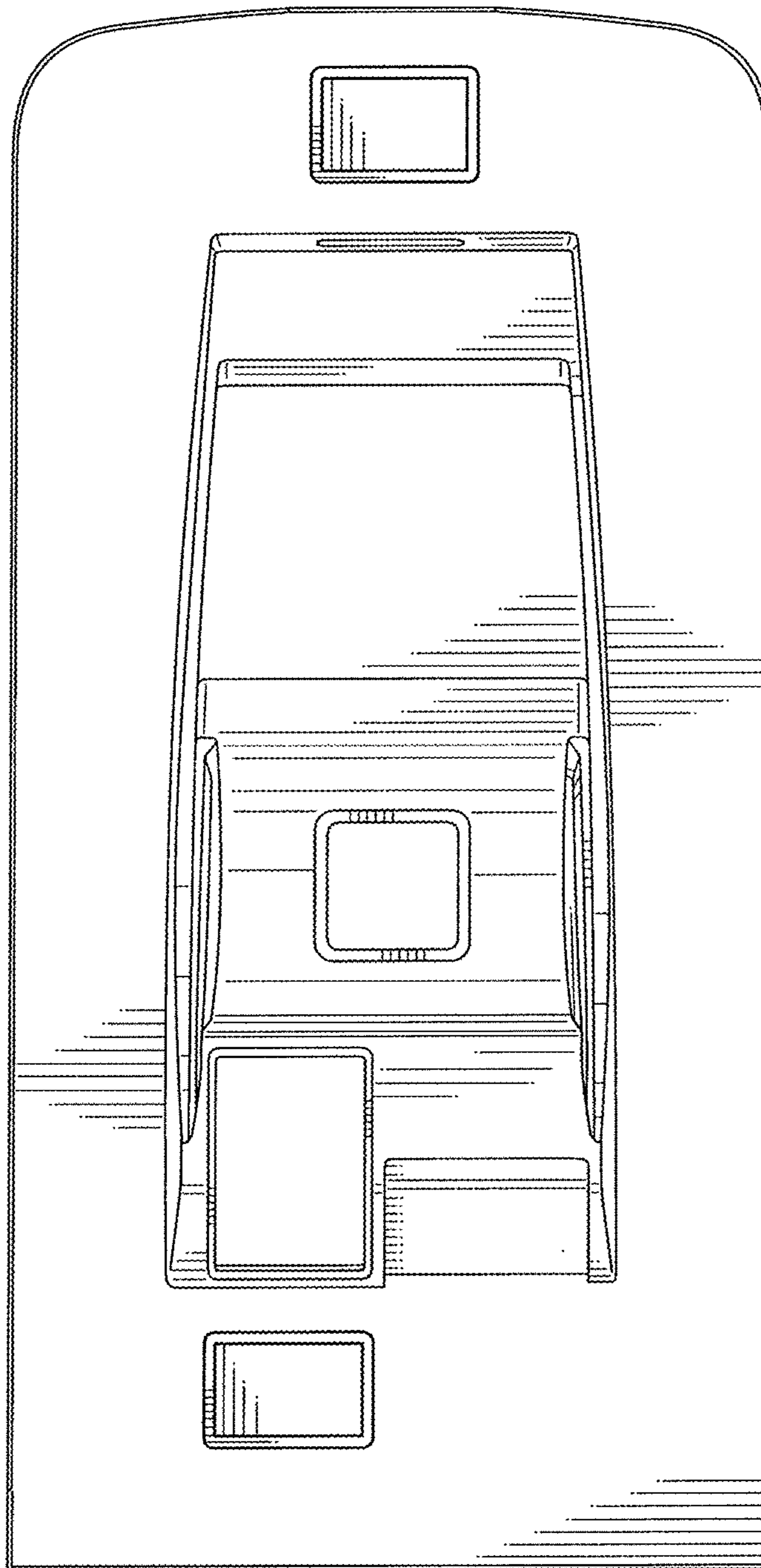


Fig. 3

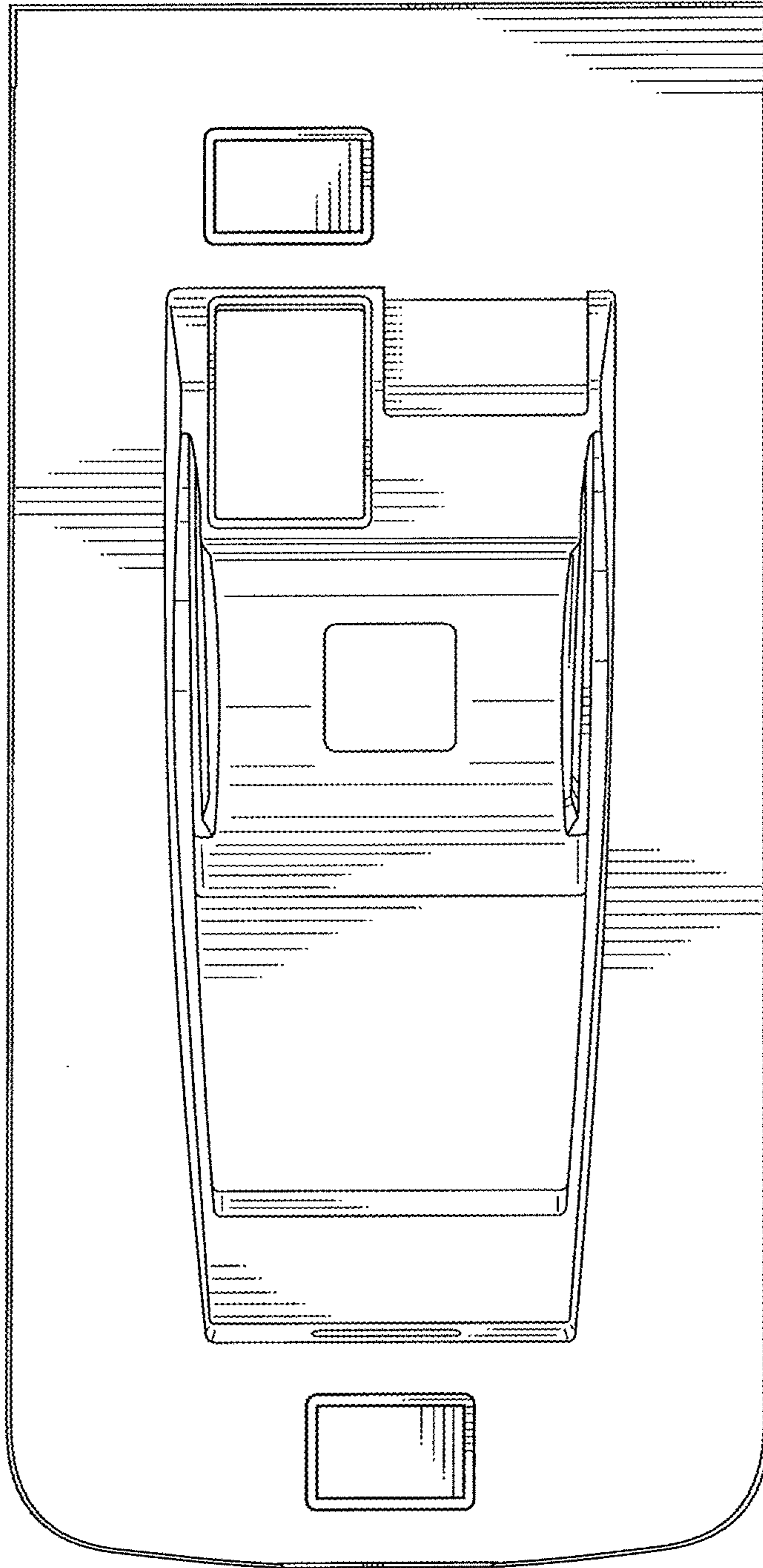


Fig. 4

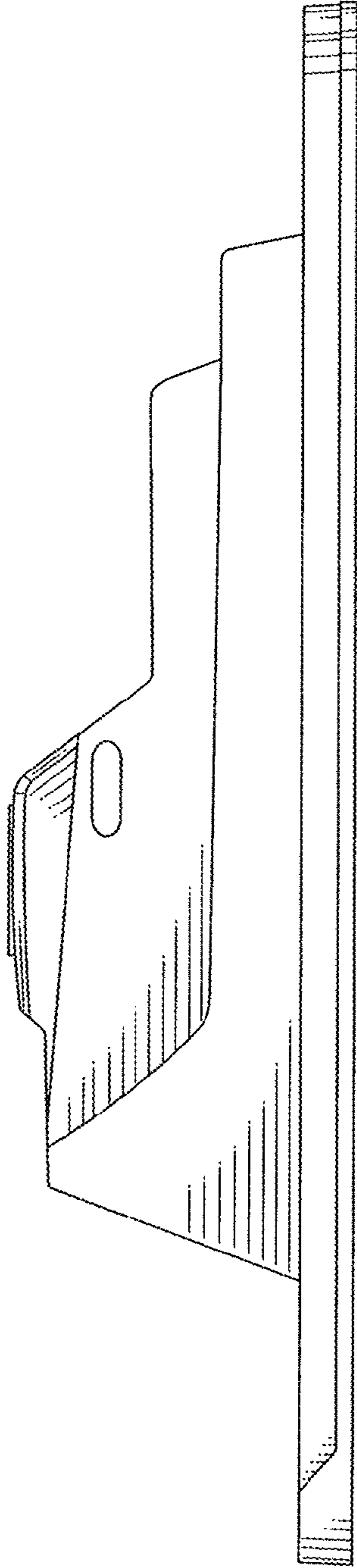


Fig. 5

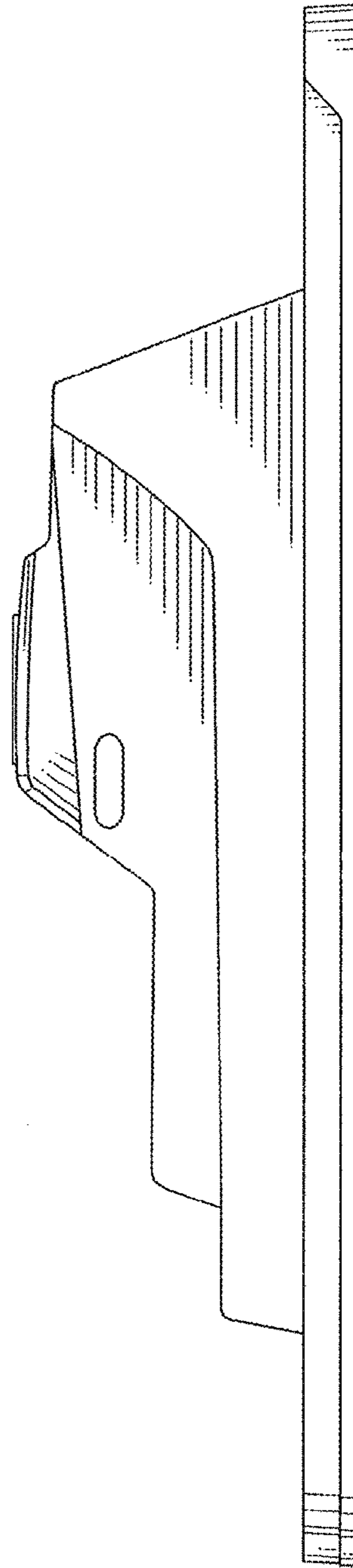


Fig. 6

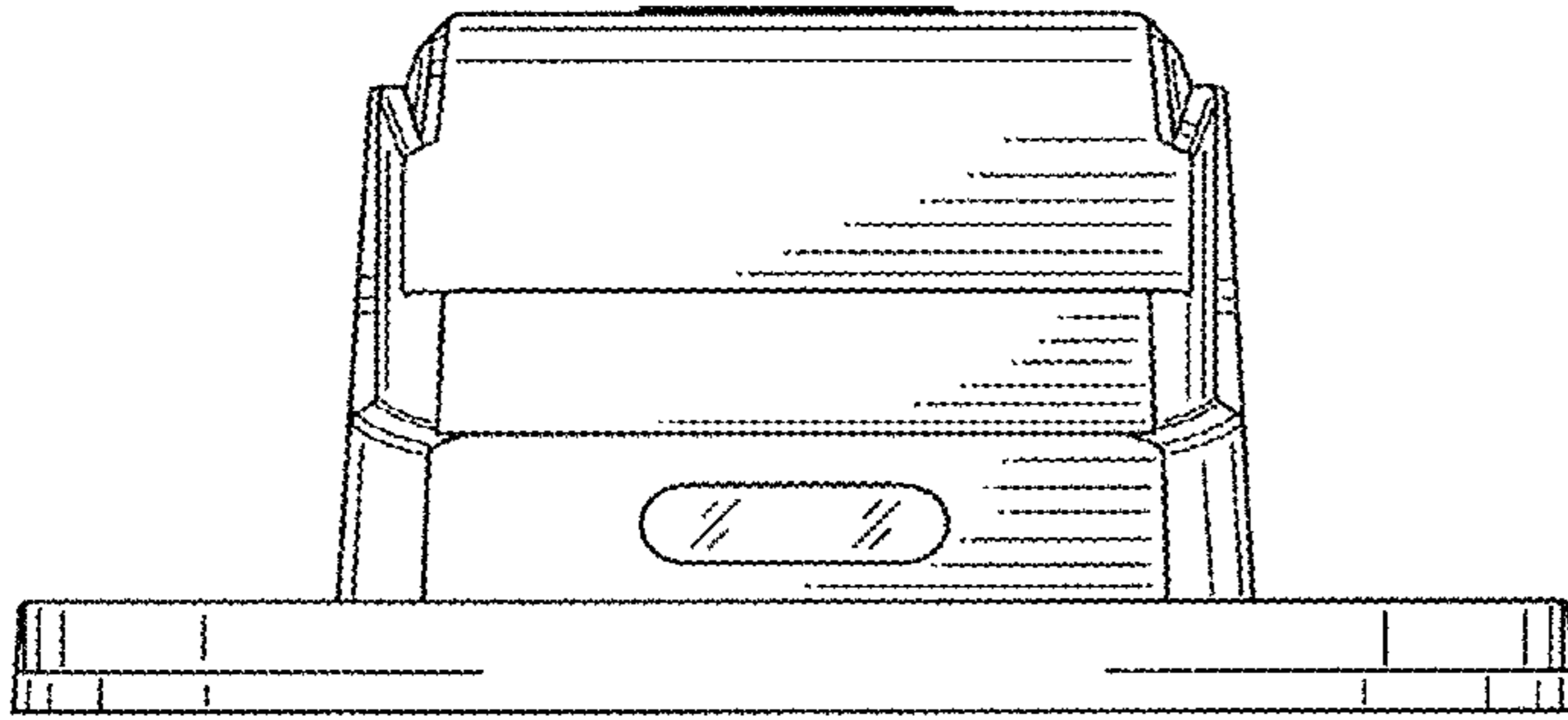


Fig. 7

