



US00D772132S

(12) **United States Design Patent** (10) **Patent No.:** **US D772,132 S**
Kong (45) **Date of Patent:** **** Nov. 22, 2016**

(54) **VEHICLE WHEEL**
(71) Applicant: **Wheel Pros, LLC**, Greenwood Village,
CO (US)

D698,300 S * 1/2014 Chung D12/211
D707,168 S * 6/2014 Chan D12/209
D712,333 S * 9/2014 Chung D12/211
D726,630 S * 4/2015 Kong D12/211
2014/0116593 A1* 5/2014 Lucaora F16F 15/324
152/427

(72) Inventor: **Yee Wan Kong**, Anaheim, CA (US)

* cited by examiner

(73) Assignee: **Wheel Pros, LLC**

Primary Examiner — Ian Simmons

(**) Term: **14 Years**

Assistant Examiner — Samantha Q Lawrence

(21) Appl. No.: **29/504,360**

(74) *Attorney, Agent, or Firm* — KC Bean, Esq.

(22) Filed: **Oct. 5, 2014**

(51) **LOC (10) Cl.** **12-16**

(52) **U.S. Cl.**
USPC **D12/211**

(58) **Field of Classification Search**
USPC D12/204–213; 301/37.101, 64.101, 65
See application file for complete search history.

(57) **CLAIM**
The ornamental design of vehicle wheel, as shown and described.

DESCRIPTION

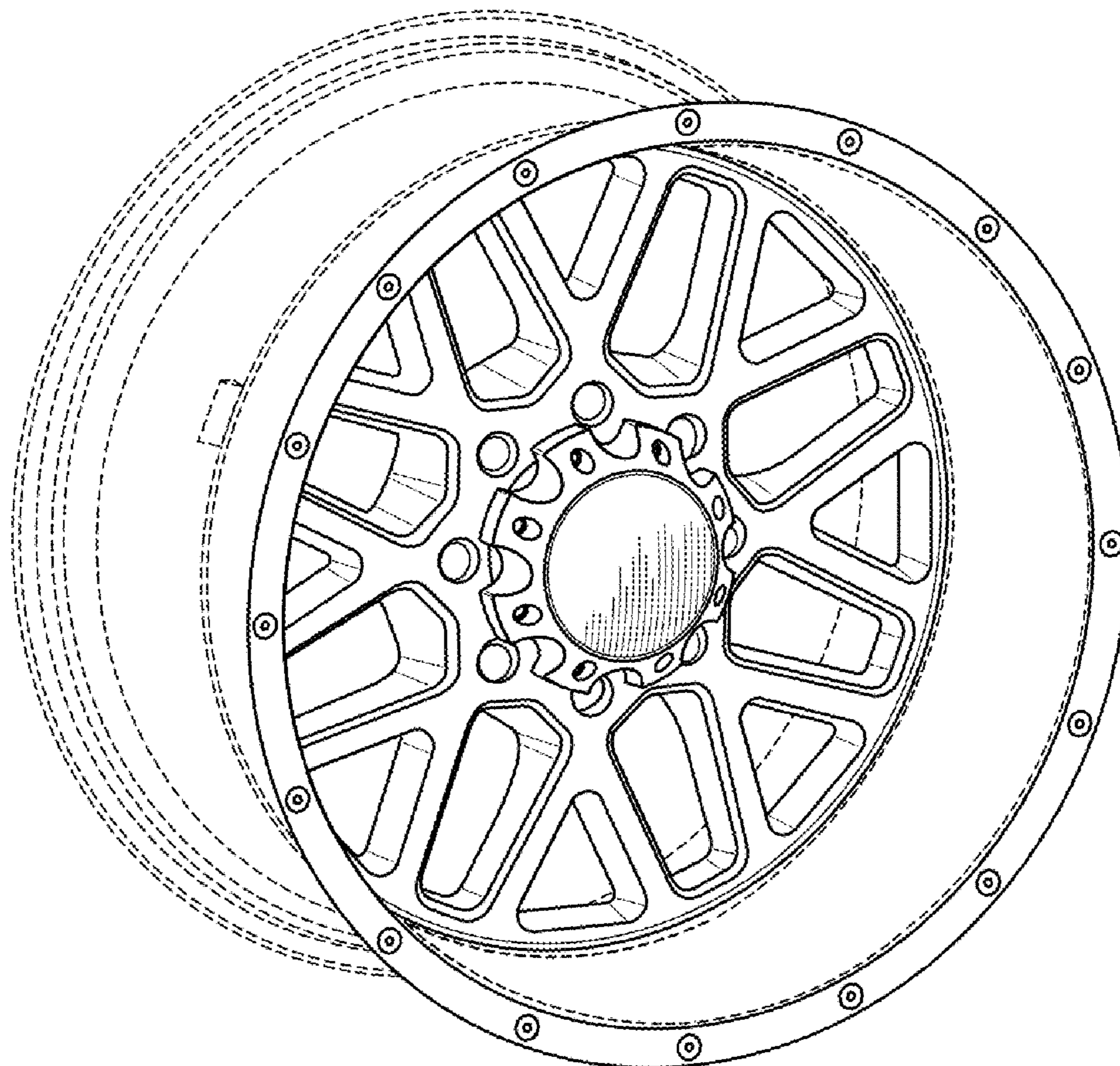
FIG. 1 is a front perspective view of a vehicle wheel showing the new design; and, FIG. 2 is a front view thereof. The broken lines shown in FIG. 1 illustrates portions of the vehicle wheel that forms no part of the claimed design. The broken lines residing on the inner edge of the wheel shown in FIGS. 1 and 2 indicate boundary lines of the vehicle wheel and form no part of the claimed design.

(56) **References Cited**

U.S. PATENT DOCUMENTS

D684,101 S * 6/2013 Alfonso D12/211
D695,182 S * 12/2013 Chung D12/209

1 Claim, 2 Drawing Sheets



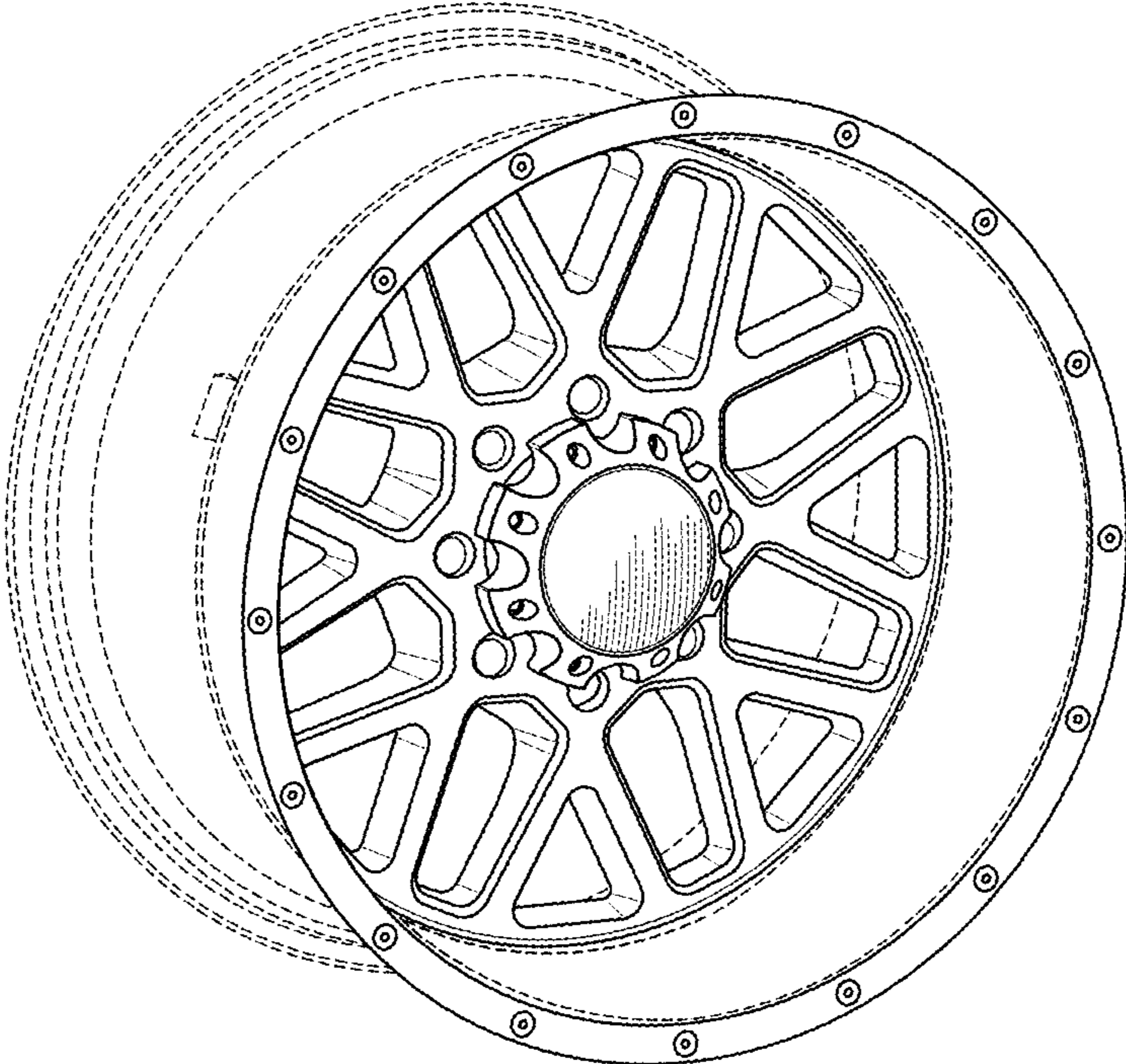


FIG. 1

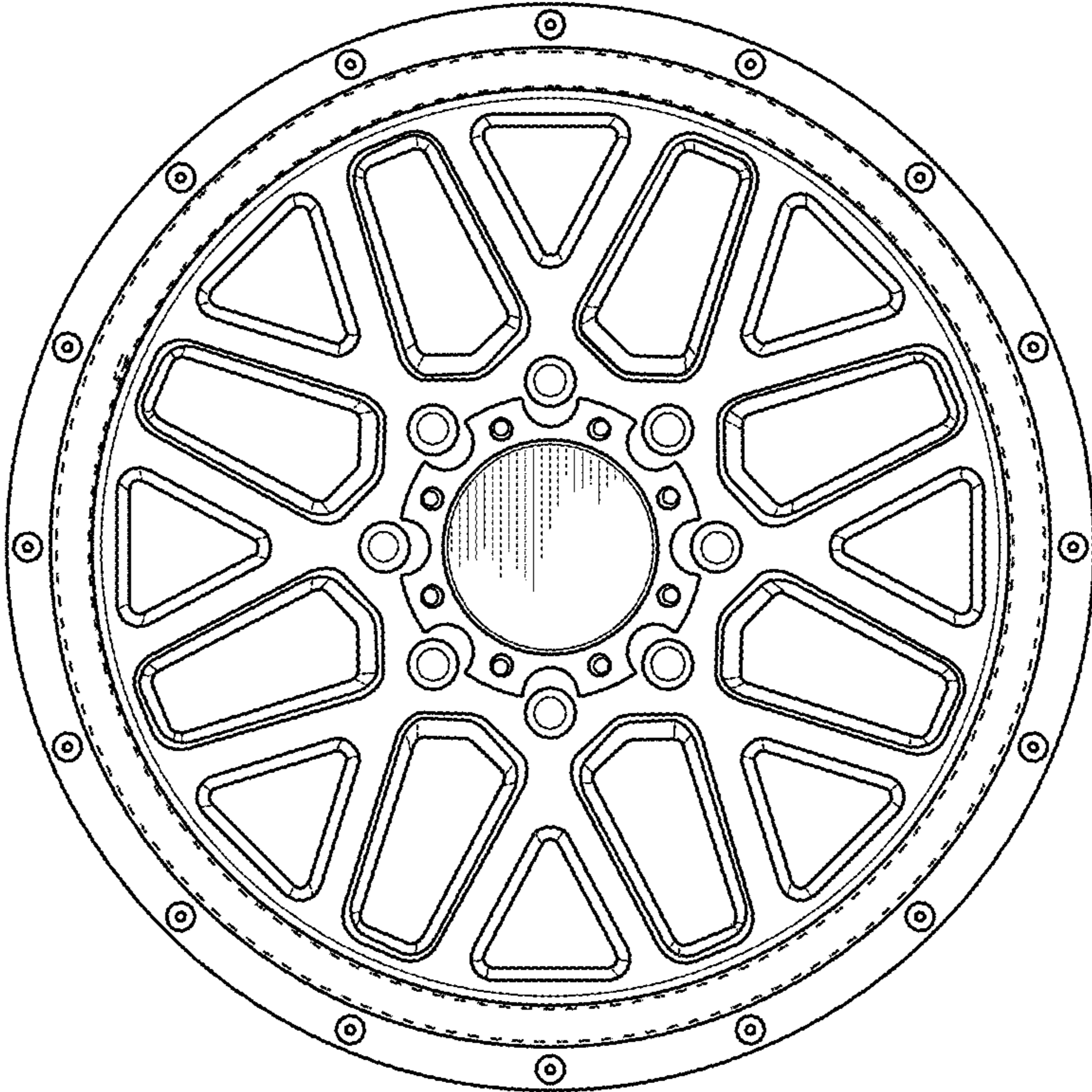


FIG. 2