



US00D772129S

(12) **United States Design Patent**
Ichikawa et al.

(10) **Patent No.:** **US D772,129 S**

(45) **Date of Patent:** **** Nov. 22, 2016**

(54) **NAVIGATION UNIT WITH INSTALLATION
PANEL FOR VEHICLE**

(71) Applicant: **Alpine Electronics, Inc.**, Tokyo (JP)

(72) Inventors: **Takashi Ichikawa**, Tokyo (JP);
Takayuki Horie, Tokyo (JP);
Masatada Muramoto, Tokyo (JP)

(73) Assignee: **ALPINE ELECTRONICS, INC.**,
Tokyo (JP)

(**) Term: **15 Years**

(21) Appl. No.: **29/550,557**

(22) Filed: **Jan. 5, 2016**

(51) **LOC (10) Cl.** **12-16**

(52) **U.S. Cl.**
USPC **D12/192**

(58) **Field of Classification Search**
USPC D12/192, 415, 110, 114; D15/17, 28;
D10/46, 98, 102-103, 122-127
CPC G08G 1/096883; G01C 21/30; G01C
21/16; G01C 21/3688
See application file for complete search history.

(56) **References Cited**

U.S. PATENT DOCUMENTS

D639,288 S * 6/2011 Fiore, IV D14/258
D639,794 S * 6/2011 Fiore, IV D14/258

D639,795 S * 6/2011 Quilling, II D14/258
D639,798 S * 6/2011 Fiore, IV D14/258
D727,889 S * 4/2015 Fiore, IV D12/192
D758,266 S * 6/2016 Ichikawa D12/192
D762,153 S * 7/2016 Inagaki D12/192

* cited by examiner

Primary Examiner — Katrina A Betton

(74) *Attorney, Agent, or Firm* — Brinks Gilson & Lione

(57) **CLAIM**

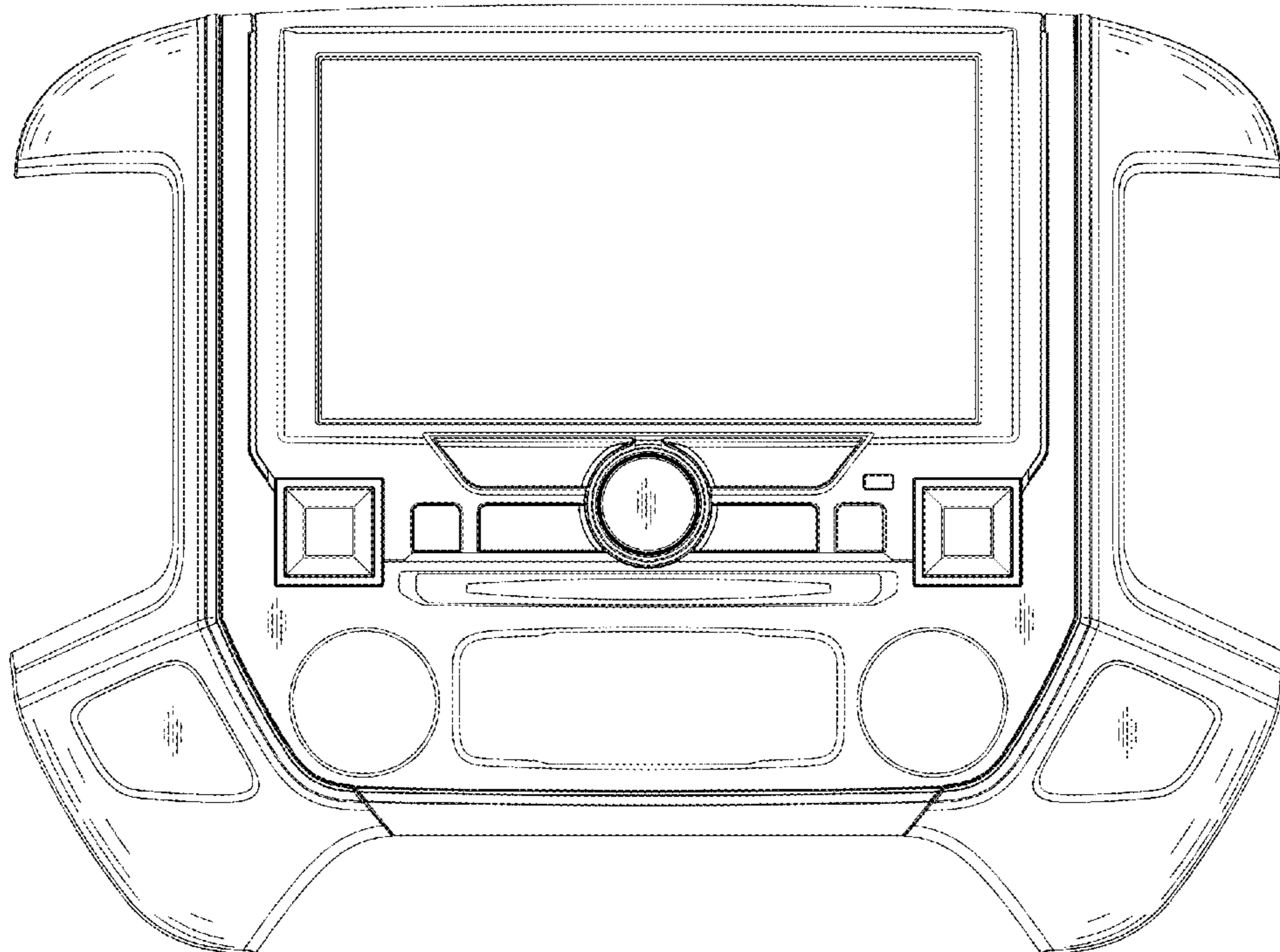
The ornamental design for a navigation unit with installation panel for vehicle, as shown and described.

DESCRIPTION

FIG. 1 is a perspective view of a navigation unit with installation panel for vehicle showing the new design; FIG. 2 is a front view thereof; FIG. 3 is a rear view thereof; FIG. 4 is a top view thereof; FIG. 5 is a bottom view thereof; FIG. 6 is a left-side view thereof; and, FIG. 7 is a right-side view thereof.

In the drawings, the broken lines depict portions of the article that form no part of the claimed design.

1 Claim, 5 Drawing Sheets



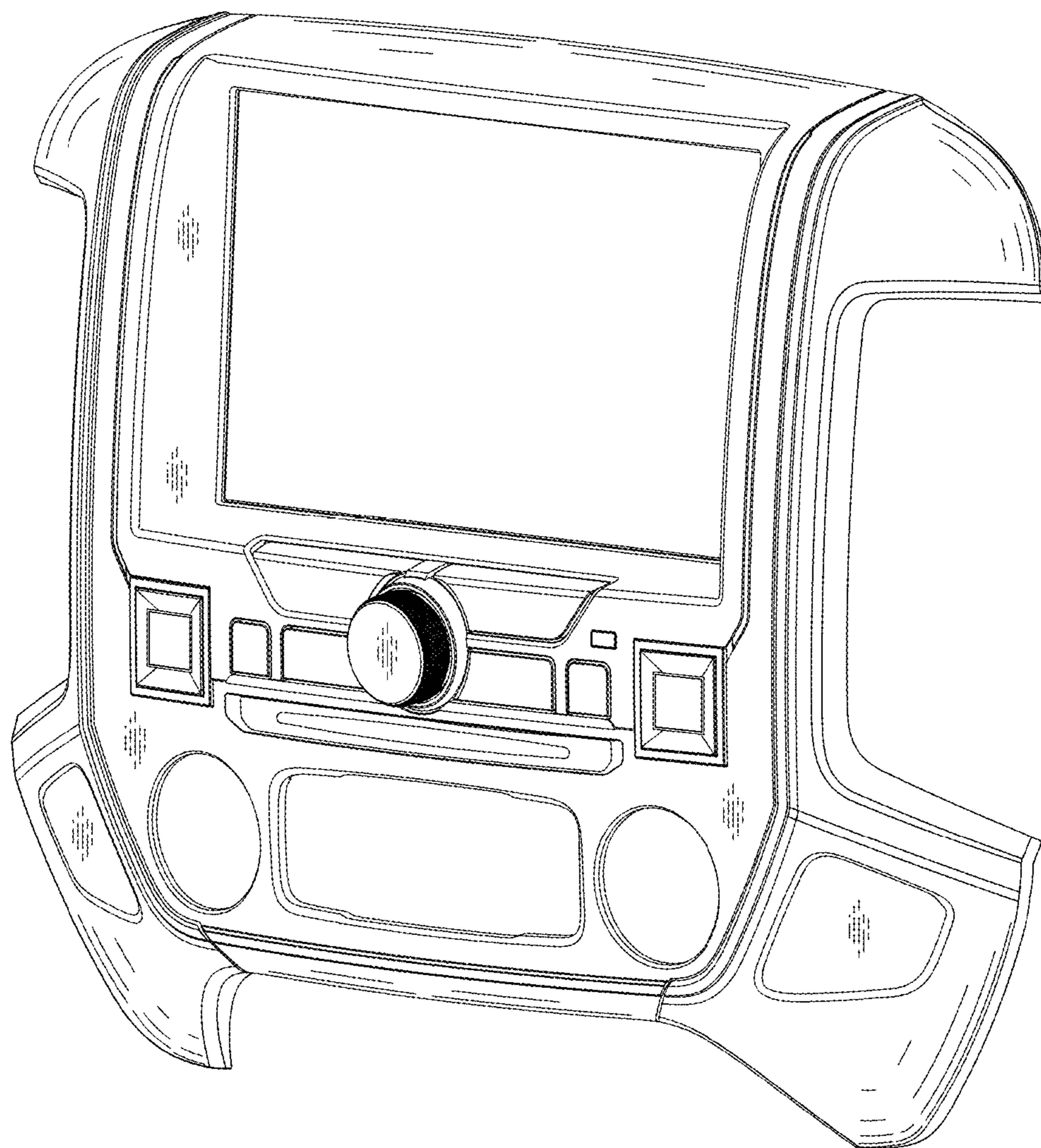


FIG. 1

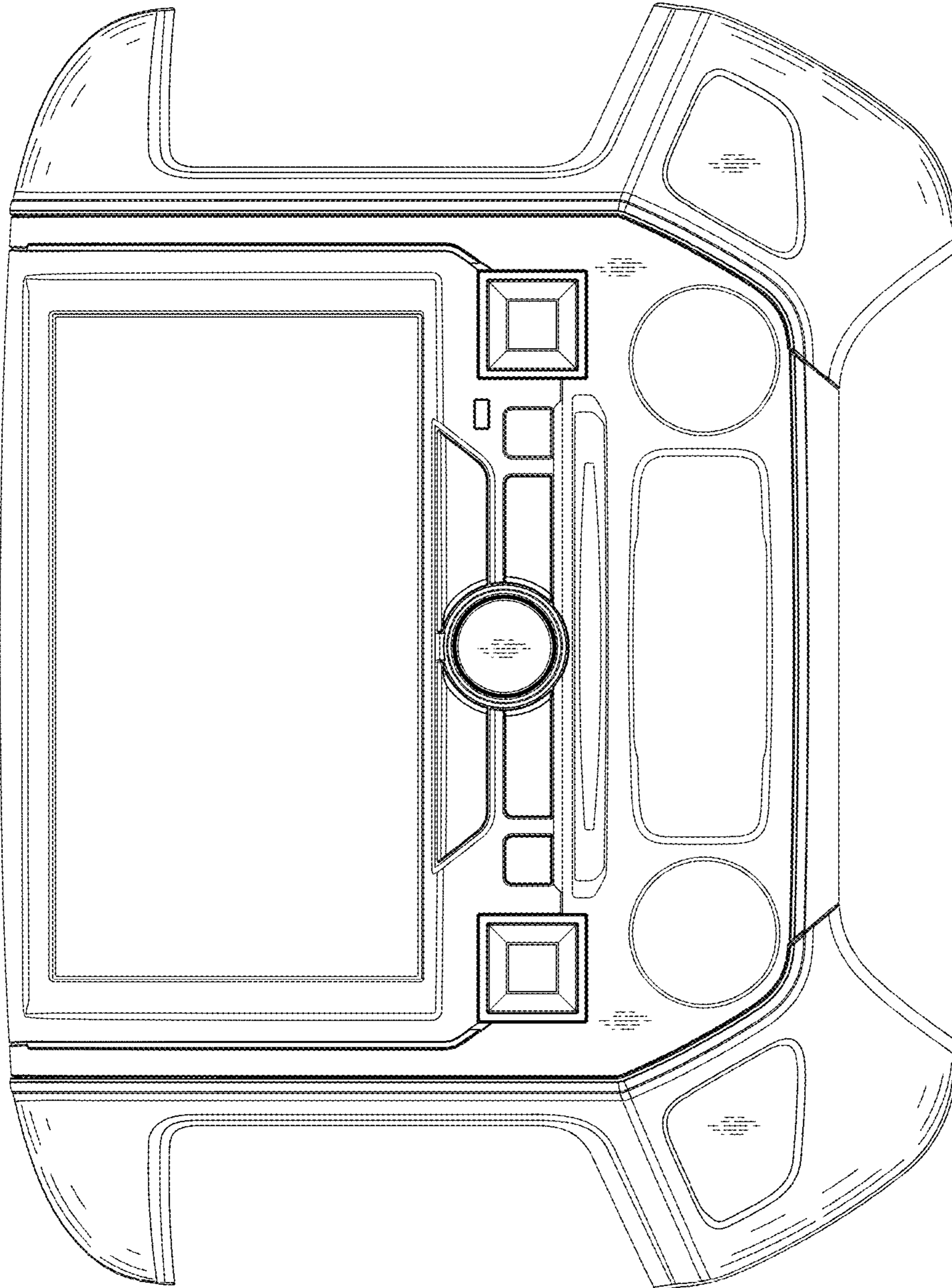


FIG. 2

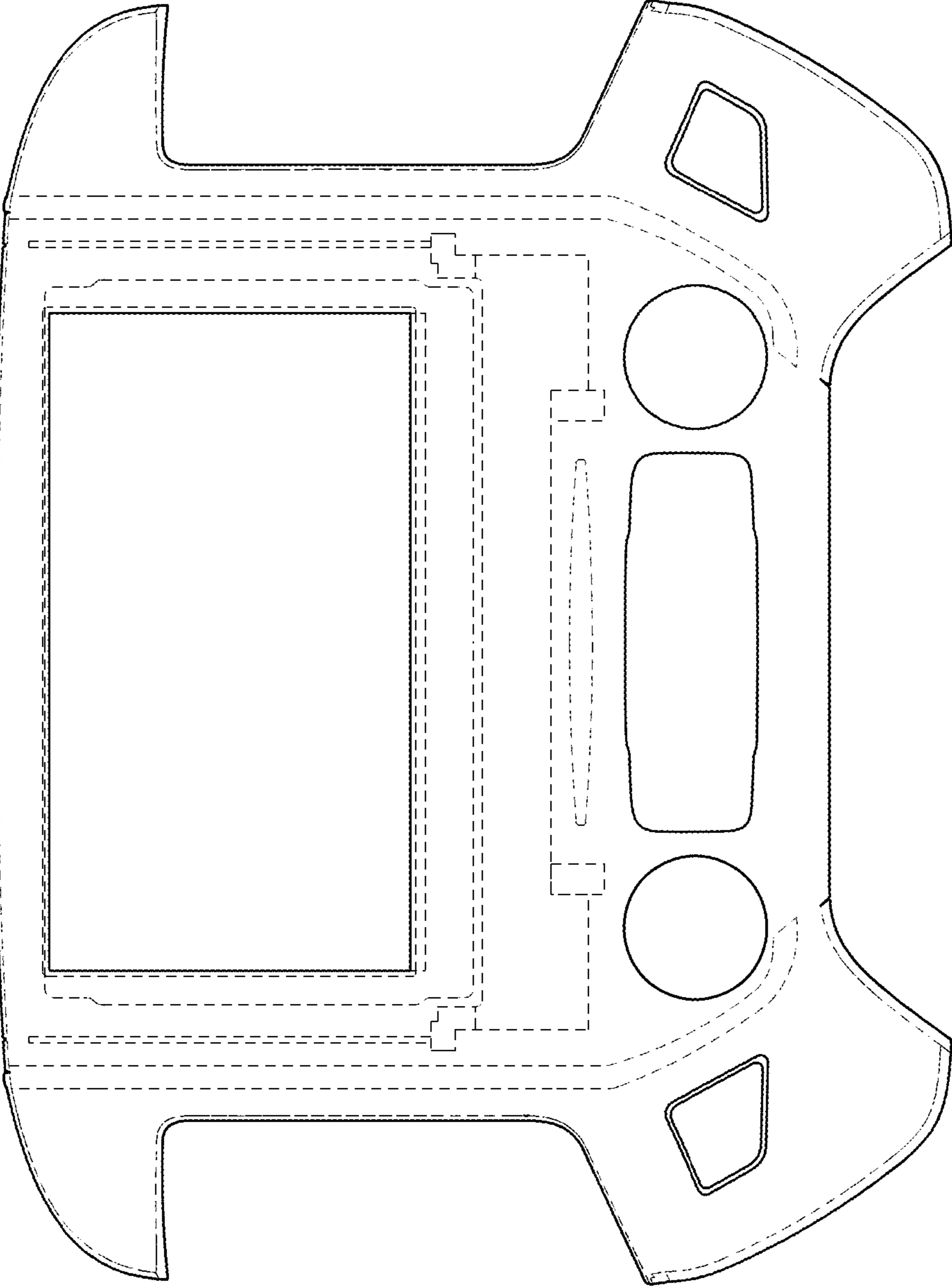


FIG. 3

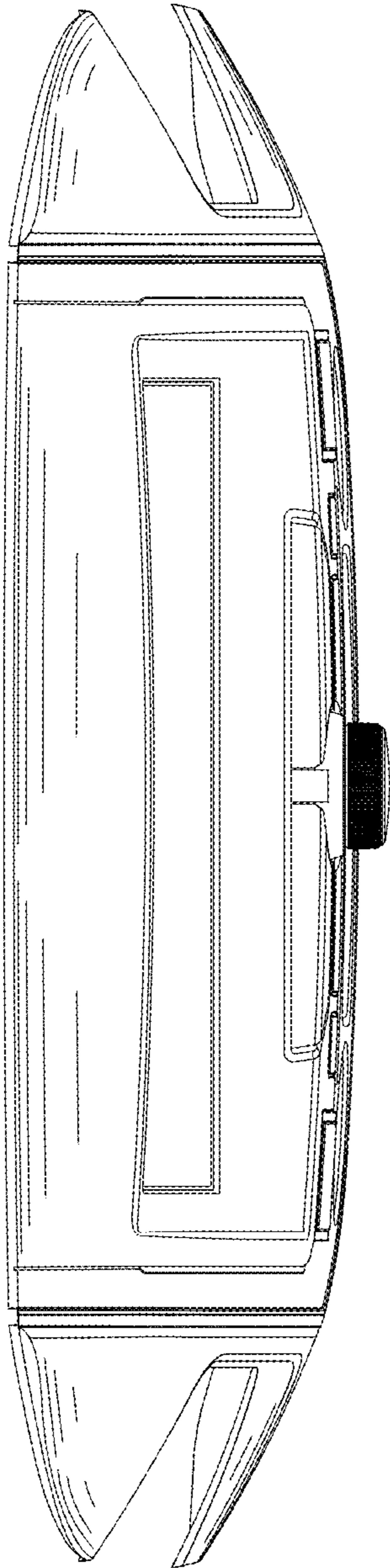


FIG. 4

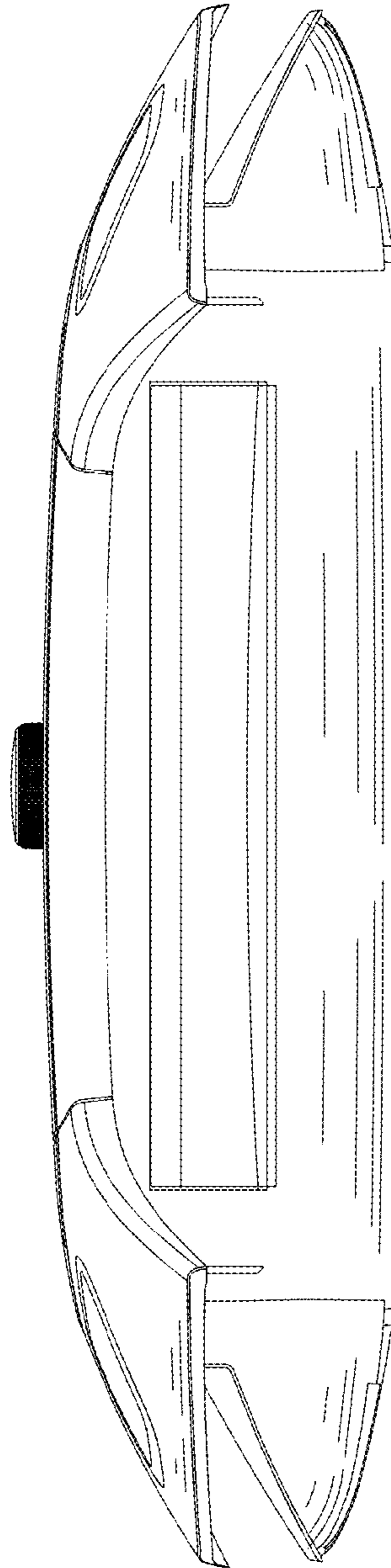


FIG. 5

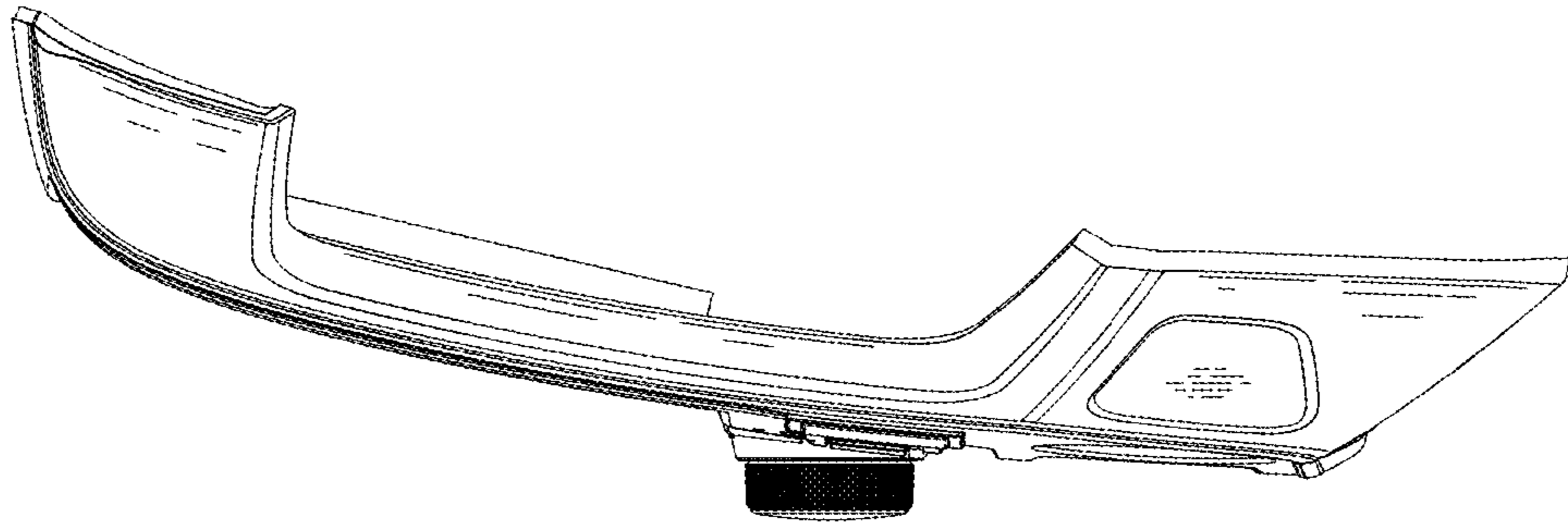


FIG. 7

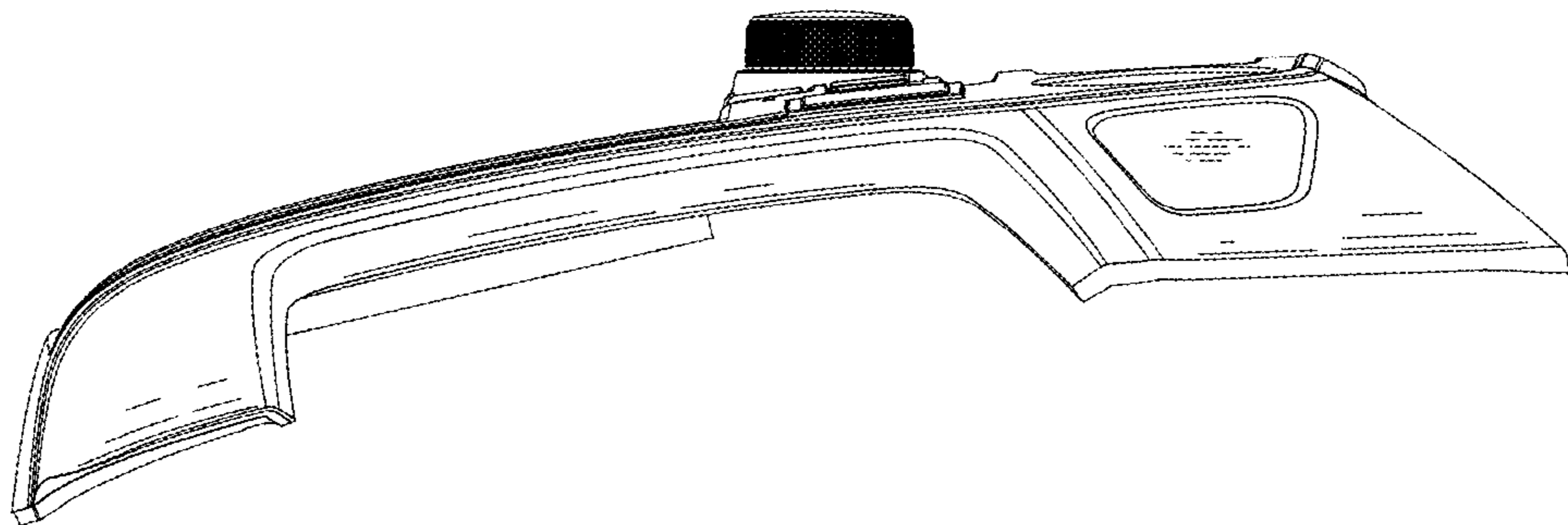


FIG. 6