



US00D772127S

(12) **United States Design Patent** (10) **Patent No.:** **US D772,127 S**
Heilaneh et al. (45) **Date of Patent:** **** Nov. 22, 2016**

(54) **CAB ROOF FAIRING**
(71) Applicants: **Louis D. Heilaneh**, Lewisville, TX
(US); **Hanson Morris**, Forth Worth, TX
(US); **Bradley D. Powell**, Corinth, TX
(US)
(72) Inventors: **Louis D. Heilaneh**, Lewisville, TX
(US); **Hanson Morris**, Forth Worth, TX
(US); **Bradley D. Powell**, Corinth, TX
(US)
(73) Assignee: **PACCAR Inc**, Bellevue, WA (US)
(**) Term: **15 Years**

D319,807 S 9/1991 Simons et al.
D320,582 S 10/1991 Fingerle
D320,583 S 10/1991 Simons et al.
5,054,799 A 10/1991 Fingerle
D329,214 S 9/1992 Marlowe et al.
D335,855 S 5/1993 Callaway et al.
5,249,937 A 10/1993 Aubert
D341,563 S 11/1993 Niemi
D343,819 S 2/1994 Meryman et al.
D356,770 S 3/1995 Almen
D374,418 S 10/1996 Griffin
D375,925 S 11/1996 Griffin
D381,949 S 8/1997 Barrett, Jr. et al.
D384,914 S 10/1997 Bingaman
D385,223 S 10/1997 Marlowe et al.

(Continued)

(21) Appl. No.: **29/530,906**
(22) Filed: **Jun. 22, 2015**
(51) **LOC (10) Cl.** **12-08**
(52) **U.S. Cl.**
USPC **D12/181**
(58) **Field of Classification Search**
USPC D12/181, 191, 196, 400, 190, 88
CPC B60R 13/04; B60R 13/02
See application file for complete search history.

OTHER PUBLICATIONS

“AeroCab,” Kenworth Truck Company, Kirkland, Washington, as early as 1995, 3-page brochure.

(Continued)

Primary Examiner — Katrina A Betton
(74) *Attorney, Agent, or Firm* — Christensen O’Connor Johnson Kindness PLLC

(56) **References Cited**

(57) **CLAIM**
The ornamental design for a cab roof fairing, as shown.

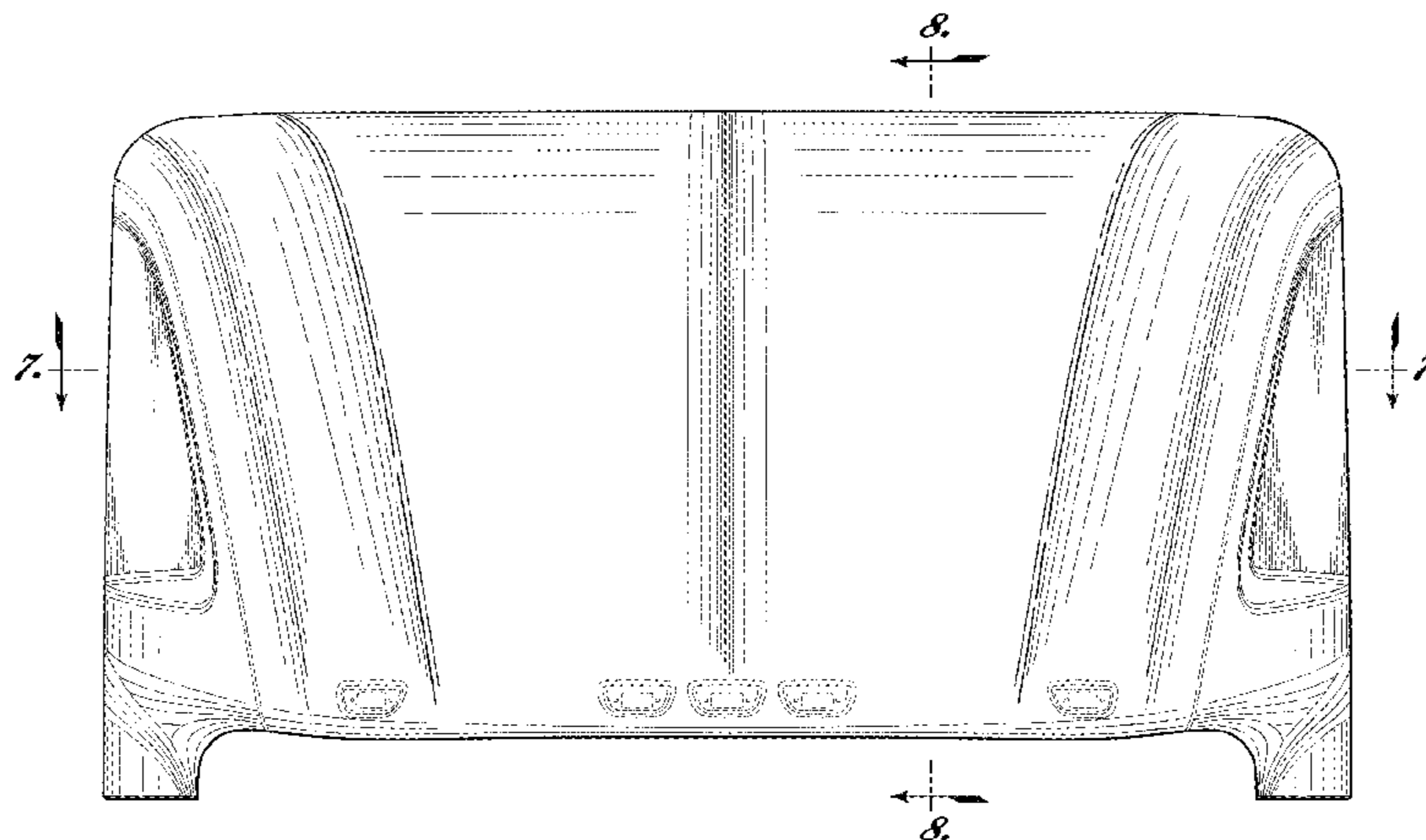
U.S. PATENT DOCUMENTS

DESCRIPTION

D265,983 S 8/1982 Sullivan et al.
D268,021 S 2/1983 Wiley, Jr. et al.
4,401,338 A 8/1983 Caldwell
4,408,792 A 10/1983 Sullivan
D271,191 S 11/1983 Amprim et al.
D289,891 S 5/1987 Bielby
D290,455 S 6/1987 Konen et al.
D307,731 S 5/1990 Kerney et al.
D308,032 S 5/1990 Kerney et al.
4,925,235 A 5/1990 Fingerle
D311,506 S 10/1990 Marlowe et al.
D312,805 S 12/1990 Marlowe et al.
D313,966 S 1/1991 Marlowe et al.
D314,163 S 1/1991 Harris et al.
4,991,906 A 2/1991 Fingerle
D319,036 S 8/1991 Fingerle

FIG. 1 depicts a perspective view of a cab roof fairing according to our new design;
FIG. 2 depicts a front view thereof;
FIG. 3 depicts a top view thereof;
FIG. 4 depicts a left side view thereof;
FIG. 5 depicts a right side view thereof;
FIG. 6 depicts a rear view thereof;
FIG. 7 depicts a horizontal cross-sectional view thereof; and,
FIG. 8 depicts a vertical cross-sectional view thereof.
The broken lines show portions of the fender skirt which form no part of the claimed design.

1 Claim, 8 Drawing Sheets



(56)

References Cited

U.S. PATENT DOCUMENTS

D391,524 S	3/1998	Anderson et al.	
D395,269 S	6/1998	McCauley, Jr.	
D395,848 S	7/1998	Meryman et al.	
D399,465 S	10/1998	Saleen	
D399,791 S	10/1998	Hellhake et al.	
D399,792 S	10/1998	Hellhake et al.	
D400,158 S	10/1998	Meryman et al.	
D403,999 S	1/1999	Lund	
D411,140 S	6/1999	Meryman et al.	
D422,957 S	4/2000	Damon et al.	
D423,990 S	5/2000	Meryman et al.	
D424,011 S	5/2000	Morris	
D424,489 S	5/2000	Damon et al.	
D424,999 S	5/2000	Carlson et al.	
D431,511 S	10/2000	Damon et al.	
D433,365 S	11/2000	Beigel	
D433,967 S	11/2000	Delashaw et al.	
D433,981 S	11/2000	Davis et al.	
D434,347 S	11/2000	Damon et al.	
D434,348 S	11/2000	Delashaw et al.	
D435,237 S	12/2000	Damon et al.	
D436,894 S	1/2001	Barraclough et al.	
D437,258 S	2/2001	Meryman et al.	
D460,023 S	7/2002	Beigel	
D465,749 S	11/2002	Beigel	
D475,657 S	6/2003	Wong et al.	
D476,929 S	7/2003	Dozier et al.	
D496,620 S	9/2004	Perfetti et al.	
D499,679 S	12/2004	Perfetti et al.	
6,986,544 B2	1/2006	Wood	
D519,891 S	5/2006	Lai	
D522,426 S	6/2006	Beigel et al.	
D522,945 S	6/2006	Beigel et al.	
D531,946 S	11/2006	Angelo et al.	
D531,948 S	11/2006	Angelo et al.	
D532,731 S	11/2006	Angelo et al.	
D535,597 S *	1/2007	Herpel	D12/181
D558,643 S	1/2008	Beigel et al.	
D567,156 S	4/2008	Hutchins	
D589,420 S *	3/2009	Raghavendran	D12/181
D595,628 S *	7/2009	Boyd	D12/181
D597,908 S	8/2009	Raghavendran et al.	
D603,315 S	11/2009	Gamou	
D607,359 S	1/2010	Mammoto et al.	
D613,224 S	4/2010	Beigel et al.	
D633,015 S *	2/2011	Peltola	D12/181
D643,353 S *	8/2011	Balicki	D12/181
D666,541 S	9/2012	Stimel, Jr.	
D686,123 S *	7/2013	Peltola	D12/181
D687,359 S *	8/2013	Peltola	D12/181
D699,648 S	2/2014	Sancer et al.	
D707,608 S	6/2014	Smith	
D709,007 S	7/2014	Henry et al.	
D709,008 S	7/2014	Brzustowicz et al.	
D709,009 S	7/2014	Brzustowicz et al.	
D710,773 S *	8/2014	Ito	D12/181

OTHER PUBLICATIONS

“AG130 Front Air Suspension,” Kenworth Truck Company, Kirkland, Washington, 2008, 2-page brochure.
 “C500B,” Kenworth Truck Company, Kirkland, Washington, as early as 1990, 4-page brochure.
 “Class Pays, Construction Trucks,” Peterbilt Motors Company, Denton, Texas, Nov. 2003, 16-page brochure.
 “Interiors,” Kenworth Truck Company, Kirkland, Washington, 2005, 16-page brochure.
 “K100E,” Kenworth Truck Company, Kirkland, Washington, 1984, 8-page brochure.
 “PACCAR Engines, 2010 Medium Duty Engines,” PACCAR Inc, Bellevue, Washington, 2010, 6-page brochure.
 “PACCAR MX,” PACCAR Inc, Bellevue, Washington, 2010, 4-page brochure.

“Studio Sleeper,” Kenworth Truck Company, Kirkland, Washington, 1993, 5-page brochure.
 “T170 Class 5,” Kenworth Truck Company, Kirkland, Washington, 2008, 4-page brochure.
 “T270 Class 6 and T370 Class 7,” Kenworth Truck Company, Kirkland, Washington, 2008, 6-page brochure.
 “T270 Class 6 and T370 Class 7,” Kenworth Truck Company, Kirkland, Washington, 2009, 6-page brochure.
 “T270 Class 6 and T370 Class 7 Hybrid,” Kenworth Truck Company, Kirkland, Washington, 2009, 6-page brochure.
 “T300,” Kenworth Truck Company, Kirkland, Washington, 1994, 4-page brochure.
 “T300,” Kenworth Truck Company, Kirkland, Washington, 2001, 16-page brochure.
 “T300,” Kenworth Truck Company, Kirkland, Washington, 2005, 16-page brochure.
 “T400B and T450B,” Kenworth Truck Company, Kirkland, Washington, 1992, 10-page brochure.
 “T440,” Kenworth Truck Company, Kirkland, Washington, 2010, 2-page brochure.
 “T440,” Kenworth Truck Company, Kirkland, Washington, 2010, 6-page brochure.
 “T470,” Kenworth Truck Company, Kirkland, Washington, 2010, 6-page brochure.
 “T470H,” Kenworth Truck Company, Kirkland, Washington, 2009, 2-page brochure.
 “T600, Ten Years of Innovation,” Kenworth Truck Company, Kirkland, Washington, 1995, 6-page brochure.
 “T800,” Kenworth Truck Company, Kirkland, Washington, 2005, 28-page brochure.
 “T800,” Kenworth Truck Company, Kirkland, Washington, 2009, 28-page brochure.
 “T800B,” Kenworth Truck Company, Kirkland, Washington, 1993, 8-page brochure.
 “The World’s Best,” Kenworth Truck Company, Kirkland, Washington, 1992, 12-page brochure.
 “Kenworth T2000 Daycab,” Kenworth Truck Company, Kirkland, Washington, 1997, 2 pages.
 “Kenworth T2000 Daycab Roof,” Kenworth Truck Company, Kirkland, Washington, 1997, 2 pages.
 “Kenworth T2000 Standard Cab with sleeper and one-piece fairing,” Kenworth Truck Company, Kirkland, Washington, 1997, 2 pages.
 Kenworth T800 Daycab with 3-piece roof fairing, at least as early as 2005, 1 page.
 Volvo Daycab, roof fairings comprised of multi-piece assembly, at least as early as 2005, 1 page.
 Foreground: International Daycab, multi-piece fairing assembly, at least as early as 2005; Background: Volvo Daycab, single-piece fairing, at least as early as 2005, 1 page.
 Left: Volvo Daycab, adjustable roof fairing, at least as early as 2005; Right: Freightliner Daycab, one-piece fairing, at least as early as 2005, 1 page.
 Mack Daycab, single-piece fairing, at least as early as 2005, 1 page.
 Ford Daycab, two-piece fairing assembly, at least as early as 2005, 1 page.
 Top: Mack Daycab, single-piece fairing, at least as early as 2005; Bottom: Volvo Daycab, multi-piece fairing assembly, at least as early as 2005, 1 page.
 International Daycab, one-piece fairing, at least as early as 2005, 1 page.
 Freightliner Daycab, multi-piece fairing assembly, at least as early as 2005, 1 page.
 “Class Pays,” Peterbilt Motors Company, Denton, Texas, Sep. 1997, 10-page brochure.
 “Class Pays,” Peterbilt Motors Company, Denton, Texas, Nov. 1998, 10-page brochure.
 “Class Pays, Truck Models,” Peterbilt Motors Company, Denton, Texas, Mar. 2005, 24-page brochure.
 “Kenworth Truck Models,” Kenworth Truck Company, Kirkland, Washington, 2010, 16-page brochure.
 “Model 377A/E,” Peterbilt Motors Company, Denton, Texas, Jan. 1995, 6-page brochure.

(56)

References Cited

OTHER PUBLICATIONS

“Model 377A/E,” Peterbilt Motors Company, Denton, Texas, Aug. 1997, 2-page brochure.

“Model 385,” Peterbilt Motors Company, Denton, Texas, Oct. 1996, 5-page brochure.

“Model 387,” Peterbilt Motors Company, Denton, Texas, Oct. 2002, 2-page brochure.

“T600,” Kenworth Truck Company, Kirkland, Washington, 2002, 28-page brochure.

“T600,” Kenworth Truck Company, Kirkland, Washington, 2005, 24-page brochure.

“T660,” Kenworth Truck Company, Kirkland, Washington, 2007, 36-page brochure.

“T660,” Kenworth Truck Company, Kirkland, Washington, 2009, 36-page brochure.

“T700,” Kenworth Truck Company, Kirkland, Washington, 2010, 6-page brochure.

“T2000,” Kenworth Truck Company, Kirkland, Washington, 1999, 20-page brochure.

“T2000,” Kenworth Truck Company, Kirkland, Washington, 2002, 20-page brochure.

“T2000,” Kenworth Truck Company, Kirkland, Washington, 2005, 20-page brochure.

“T600,” Kenworth Truck Company, Kirkland, Washington, 1996, 7-page brochure.

“Unibilt™ Cab Sleeper System,” Peterbilt Motors Company, Denton Texas, Aug. 1994, 6-page brochure.

“W900,” Kenworth Truck Company, Kirkland, Washington, 1996, 7-page brochure.

“Model 378,” Peterbilt Motors Company, Denton, Texas, Mar. 1998, 3-page brochure.

“T800,” Kenworth Truck Company, Kirkland, Washington, 2002, 32-page brochure.

“W900,” Kenworth Truck Company, Kirkland, Washington, 2002, 32-page brochure.

“T800,” Kenworth Truck Company, Kirkland, Washington, 2003, 32-page brochure.

“W900,” Kenworth Truck Company, Kirkland, Washington, 2005, 28-page brochure.

“W900,” Kenworth Truck Company, Kirkland, Washington, 2009, 28-page brochure.

* cited by examiner

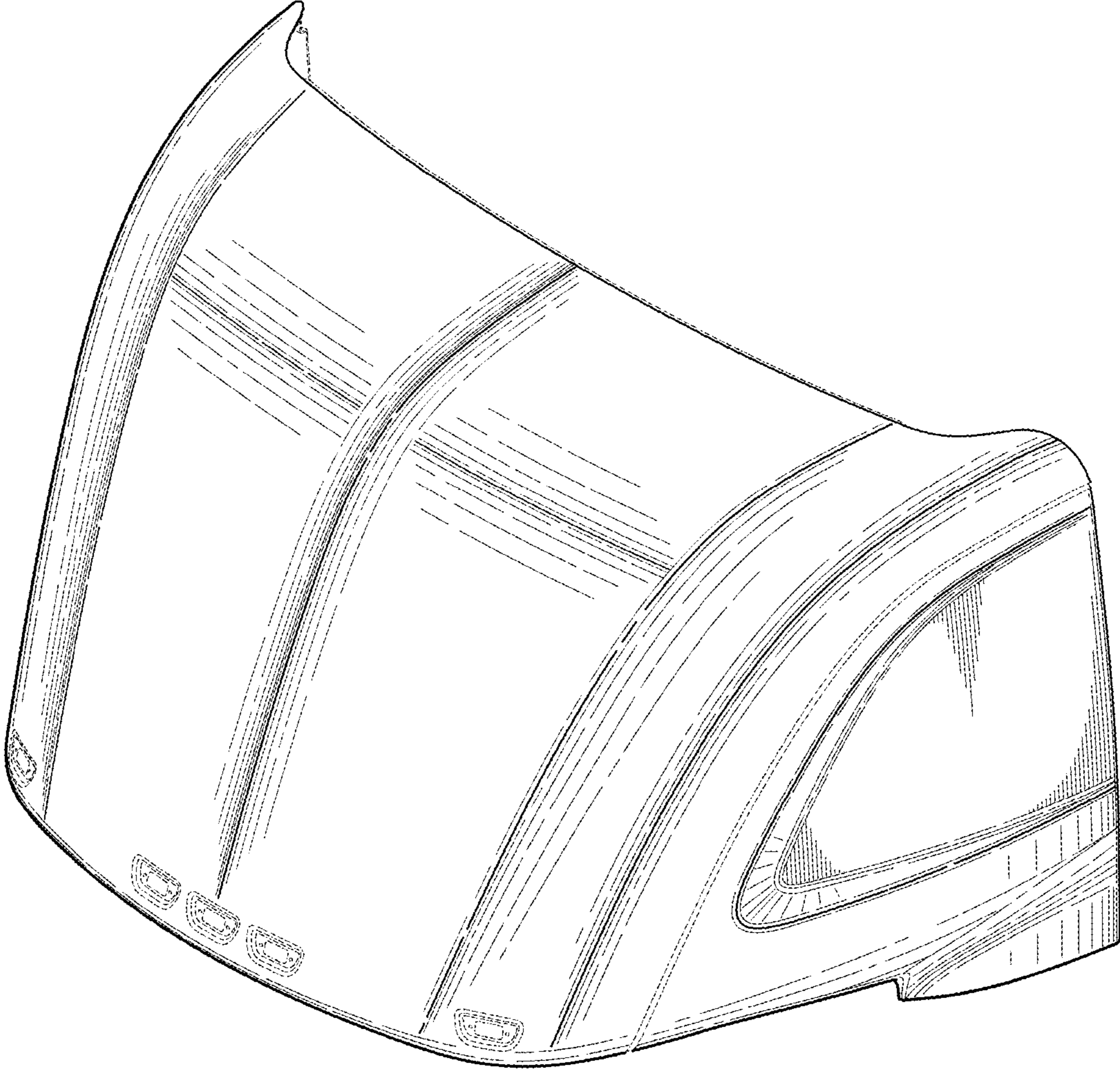


Fig. 1.

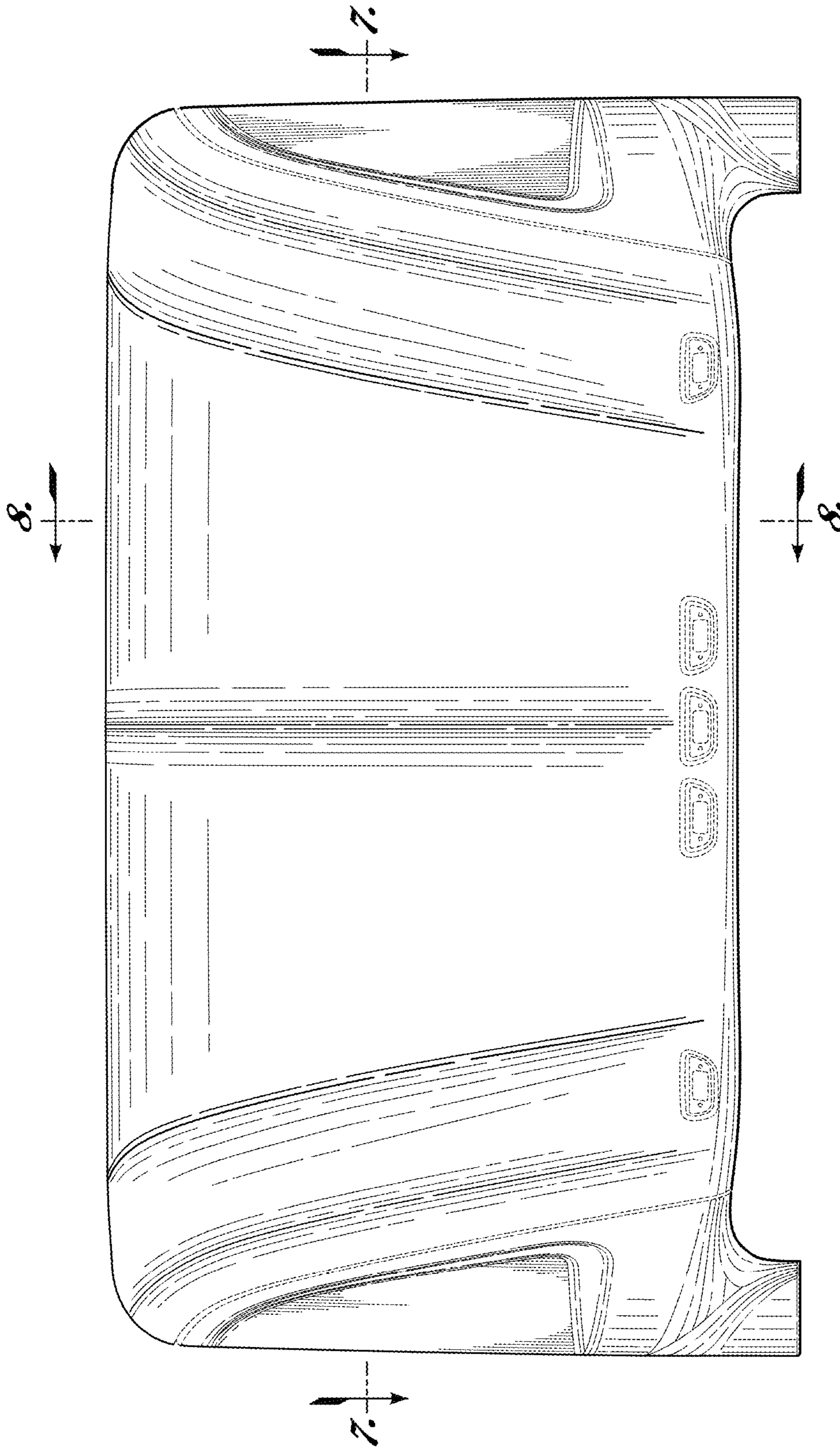


Fig. 2.

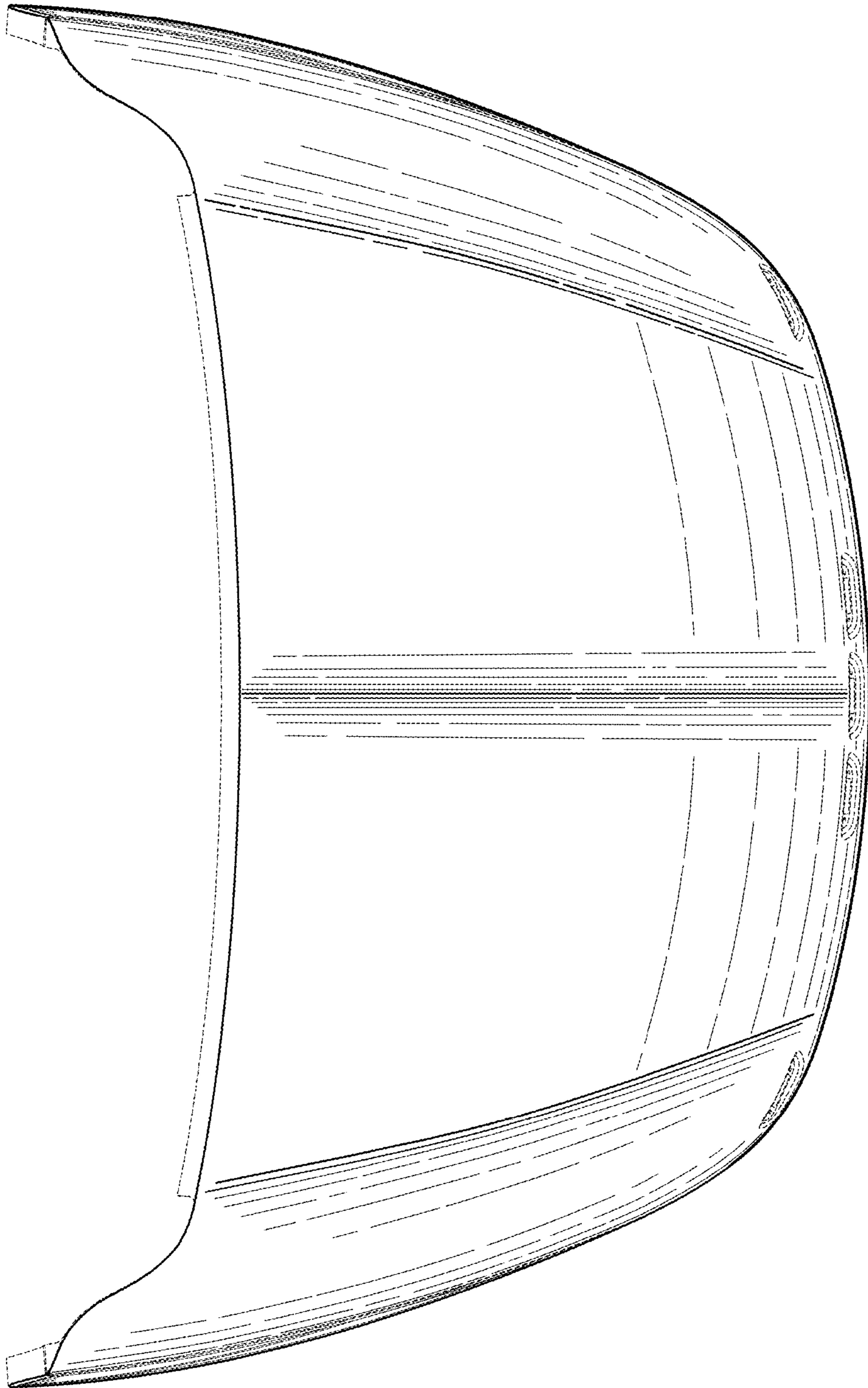


Fig. 3.

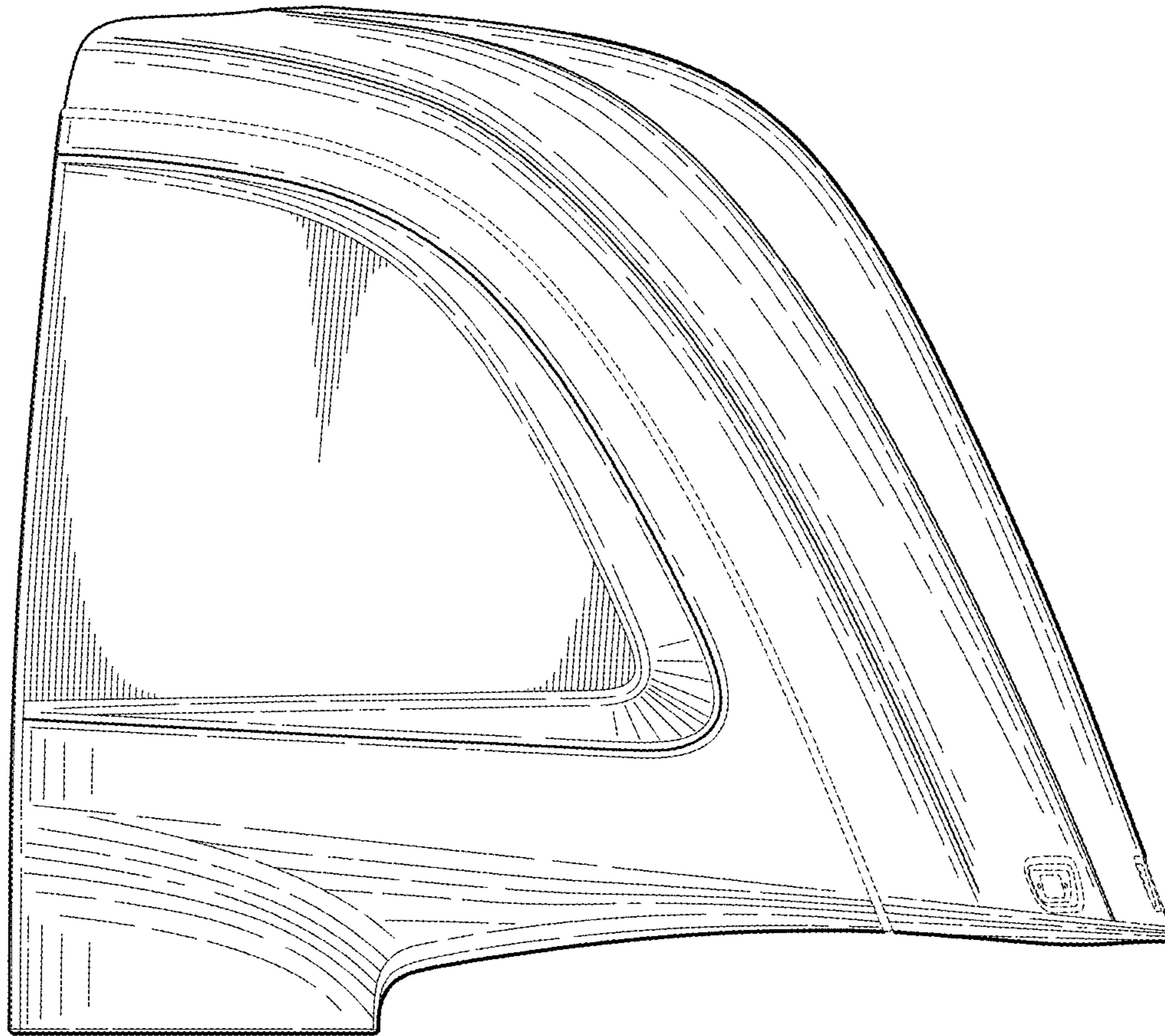


Fig. 4.

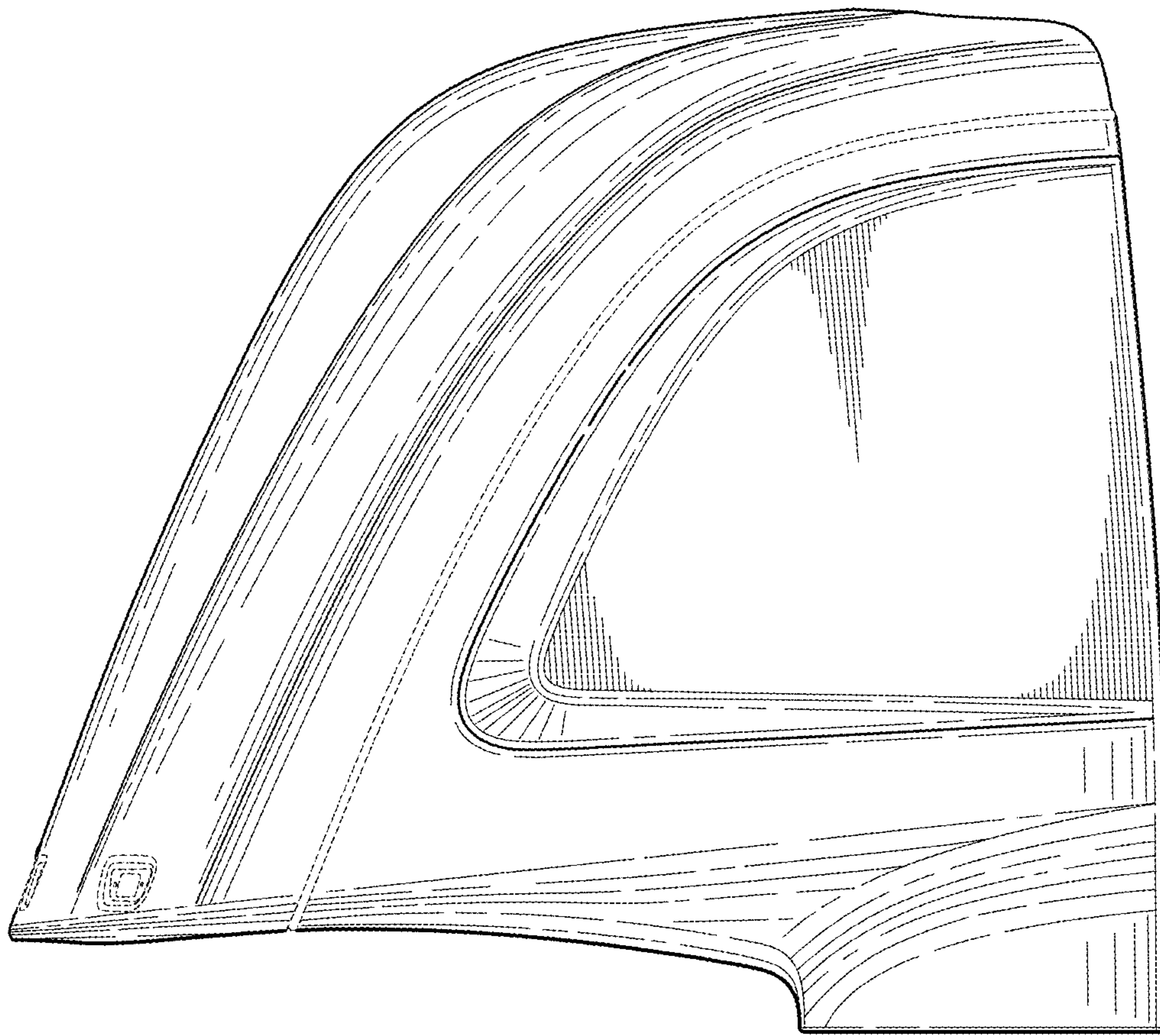


Fig. 5.

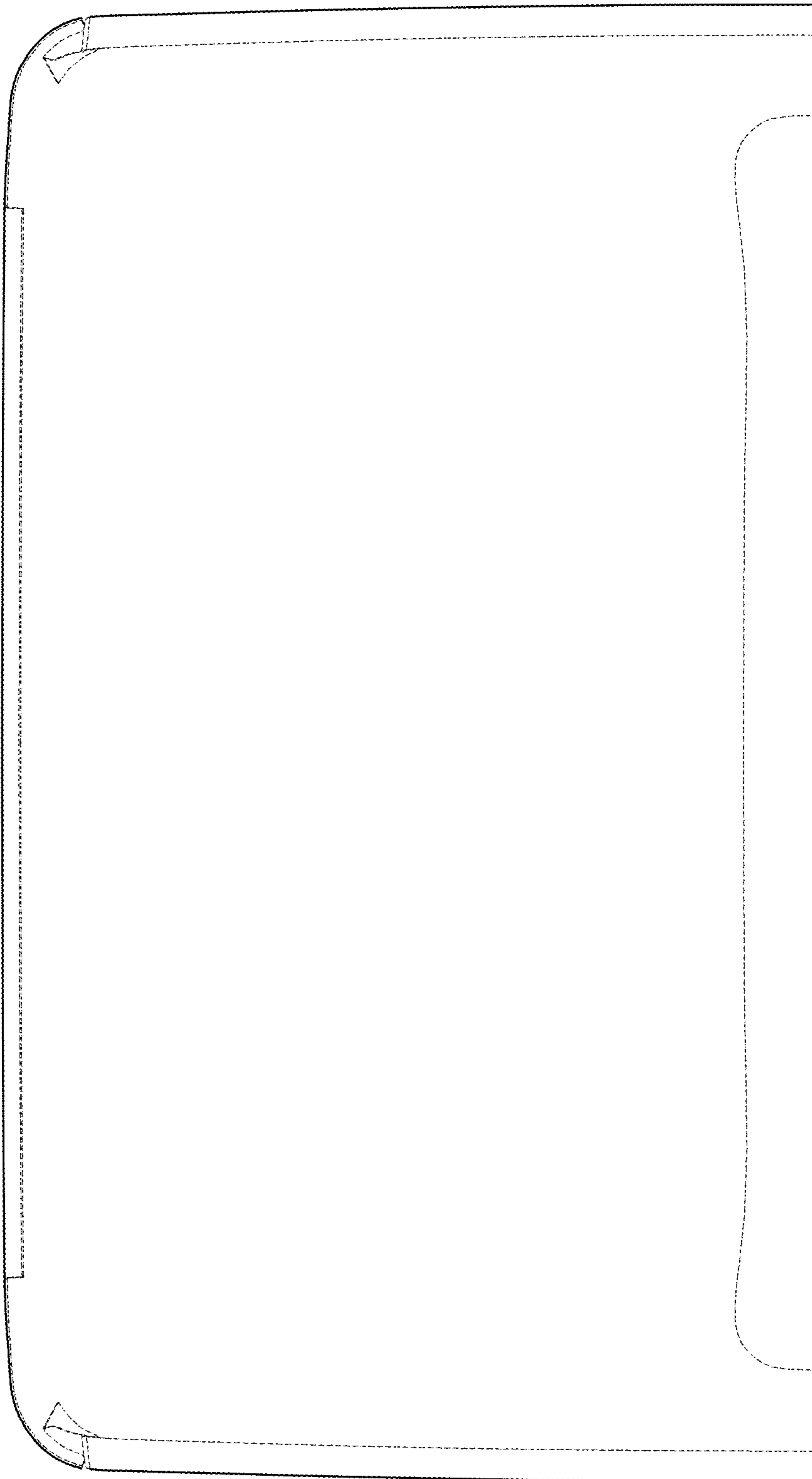


Fig. 6.

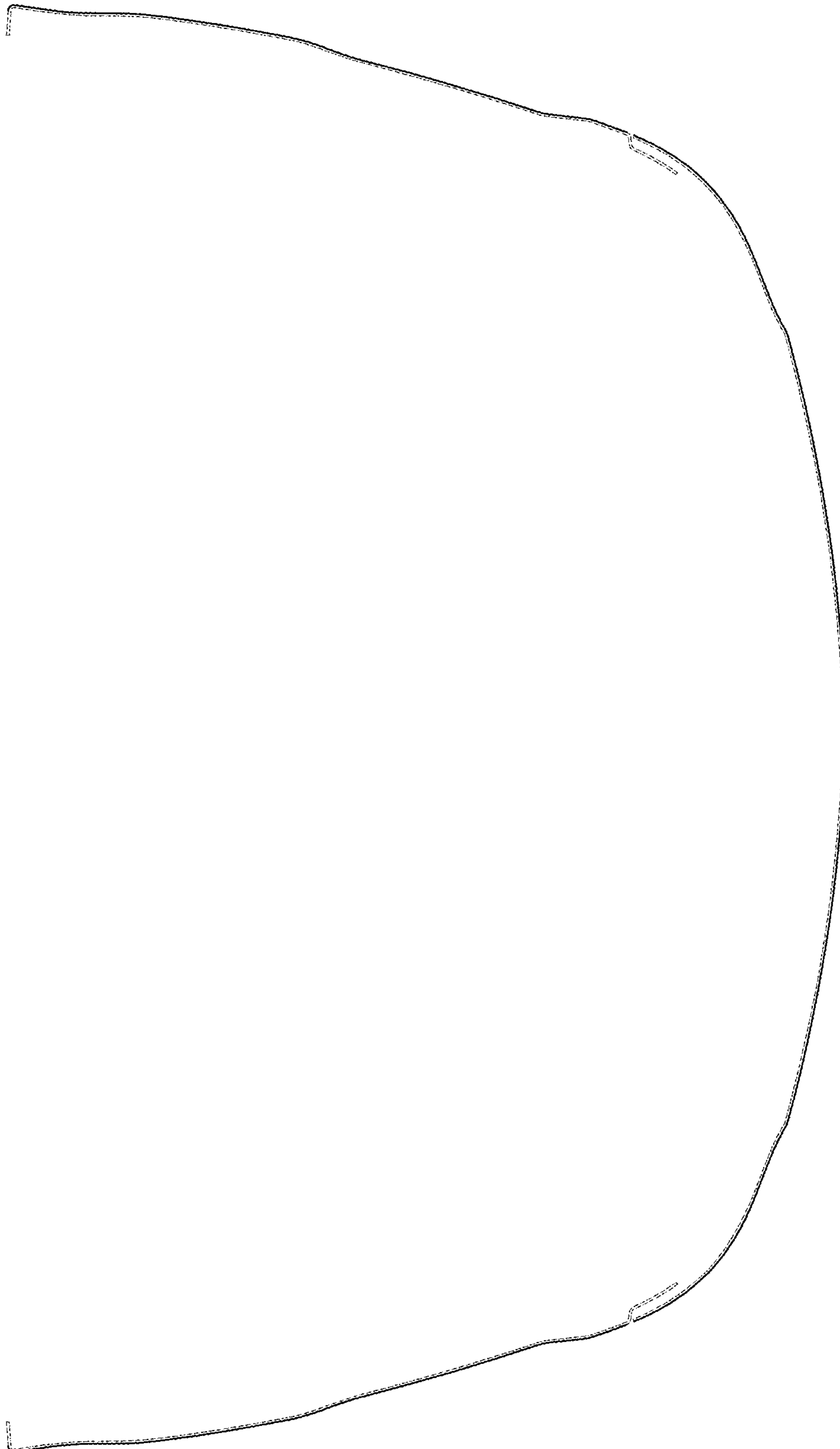


Fig. 7.

