



US00D772126S

(12) **United States Design Patent** (10) **Patent No.:** **US D772,126 S**
Sun (45) **Date of Patent:** **** Nov. 22, 2016**

(54) **ADJUSTABLE STEERING KNUCKLE**
 (71) Applicant: **Mike Sun**, Anaheim, CA (US)
 (72) Inventor: **Mike Sun**, Anaheim, CA (US)
 (73) Assignee: **MaxTrac Suspension, LLC**, Anaheim, CA (US)
 (**) Term: **15 Years**
 (21) Appl. No.: **29/540,268**
 (22) Filed: **Sep. 22, 2015**
 (51) **LOC (10) Cl.** **12-16**
 (52) **U.S. Cl.**
 USPC **D12/177**
 (58) **Field of Classification Search**
 USPC D12/175, 176, 177; 280/93.512,
 280/124.125, 86.751, 86.758; 74/579, 498;
 188/219.1
 CPC B67D 7/18; B62D 1/184; B62D 55/04;
 B62D 17/00; B60G 7/005; B22D 18/04
 See application file for complete search history.

(56) **References Cited**

U.S. PATENT DOCUMENTS

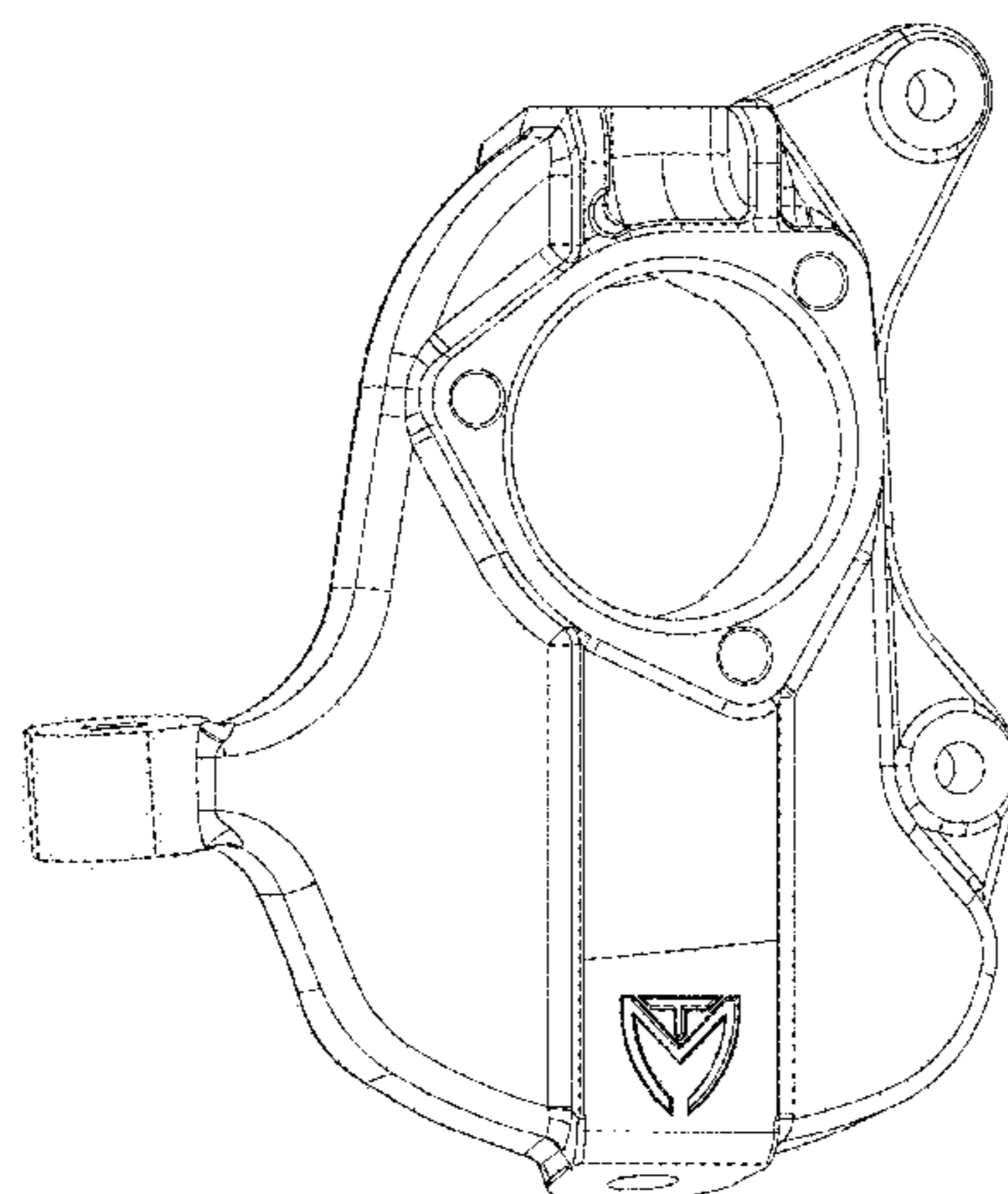
7,651,105 B2 * 1/2010 Webster B62D 7/18
 280/124.125
 7,850,179 B2 * 12/2010 Ursu B62D 7/18
 280/86.751
 8,146,931 B2 * 4/2012 Ursu B62D 7/18
 280/86.751
 8,297,632 B2 * 10/2012 Webster B22D 18/04
 280/93.512
 8,684,379 B2 * 4/2014 Fuks B62D 7/18
 280/93.512
 8,857,833 B2 * 10/2014 Deierling B62D 7/18
 280/93.512
 8,966,948 B2 * 3/2015 Gweon B60R 25/02115
 70/186
 9,010,781 B2 * 4/2015 Pare B62D 55/04
 280/93.512
 9,090,283 B1 * 7/2015 Lam B62D 7/18
 9,096,259 B2 * 8/2015 Varela B62D 7/18
 9,193,383 B2 * 11/2015 Pare B62D 7/18

2008/0296860 A1 * 12/2008 Webster B62D 7/18
 280/93.512
 2009/0091098 A1 * 4/2009 Ursu B62D 7/18
 280/93.512
 2009/0229400 A1 * 9/2009 Ozsoylu B62D 1/184
 74/498
 2009/0236813 A1 * 9/2009 Reid B62D 7/18
 280/93.512
 2011/0025011 A1 * 2/2011 Lee B60G 7/005
 280/124.126
 2011/0227306 A1 * 9/2011 Ursu B62D 7/18
 280/93.512
 2012/0049477 A1 * 3/2012 Webster B22D 18/04
 280/93.512
 2012/0235374 A1 * 9/2012 Ursu B62D 7/18
 280/93.512
 2013/0119628 A1 * 5/2013 Deierling B62D 7/18
 280/93.512
 2013/0161918 A1 * 6/2013 Pare B62D 55/04
 280/93.512
 2013/0168937 A1 * 7/2013 DeVeney B62D 7/18
 280/93.512
 2013/0193659 A1 * 8/2013 Fuks B62D 7/18
 280/93.512
 2014/0027994 A1 * 1/2014 Varela B62D 7/18
 280/93.512
 2014/0059832 A1 * 3/2014 Tokioka B62D 1/20
 29/434
 2014/0265202 A1 * 9/2014 Bunker B62D 7/18
 280/93.512
 2015/0040715 A1 * 2/2015 Assmann B62D 3/12
 74/498
 2015/0075926 A1 * 3/2015 Moss F16D 51/00
 188/219.1
 2015/0197279 A1 * 7/2015 Pare B62D 7/18
 280/93.512
 2015/0231749 A1 * 8/2015 Miller B23Q 3/18
 29/559
 2015/0232123 A1 * 8/2015 Lam B62D 7/18
 280/93.512
 2015/0314805 A1 * 11/2015 Hoyer B62D 7/18
 403/53
 2015/0360722 A1 * 12/2015 Butlin, Jr. B62D 17/00
 280/86.758
 2016/0053840 A1 * 2/2016 Hayford F16D 65/22
 74/567
 2016/0059651 A1 * 3/2016 Holmes B60G 3/06
 280/124.134

* cited by examiner

Primary Examiner — Rosemary K Tarcza

Assistant Examiner — Yolanda Robinson



(74) *Attorney, Agent, or Firm* — Norman R. Van Treeck;
Pasadena Legal Group

(57) **CLAIM**
The ornamental design for an adjustable steering knuckle, as
shown and described.

DESCRIPTION

FIG. 1 is a front elevation view of an adjustable steering
knuckle according to my design;

FIG. 2 is a left elevation view thereof;
FIG. 3 is a top plan view thereof;
FIG. 4 is a right elevation view thereof;
FIG. 5 is a rear elevation view thereof;
FIG. 6 is a bottom plan view thereof;
FIG. 7 is a bottom perspective view thereof; and,
FIG. 8 is a top perspective view thereof.

1 Claim, 8 Drawing Sheets

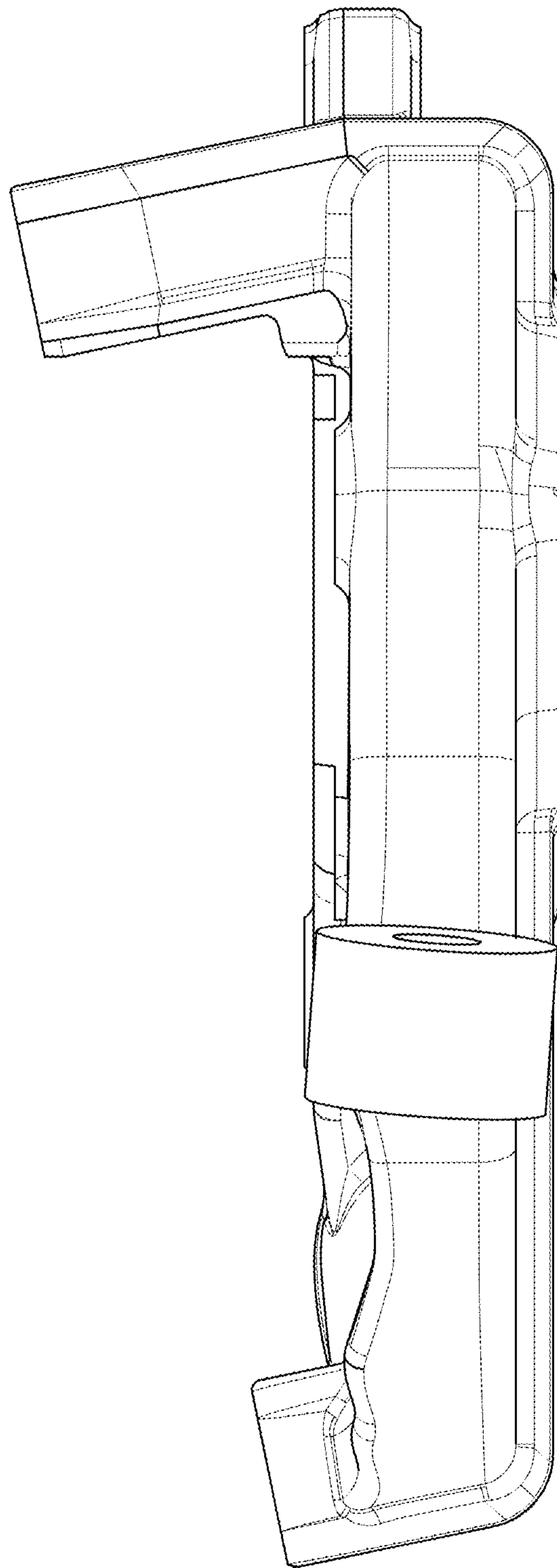


Figure 1

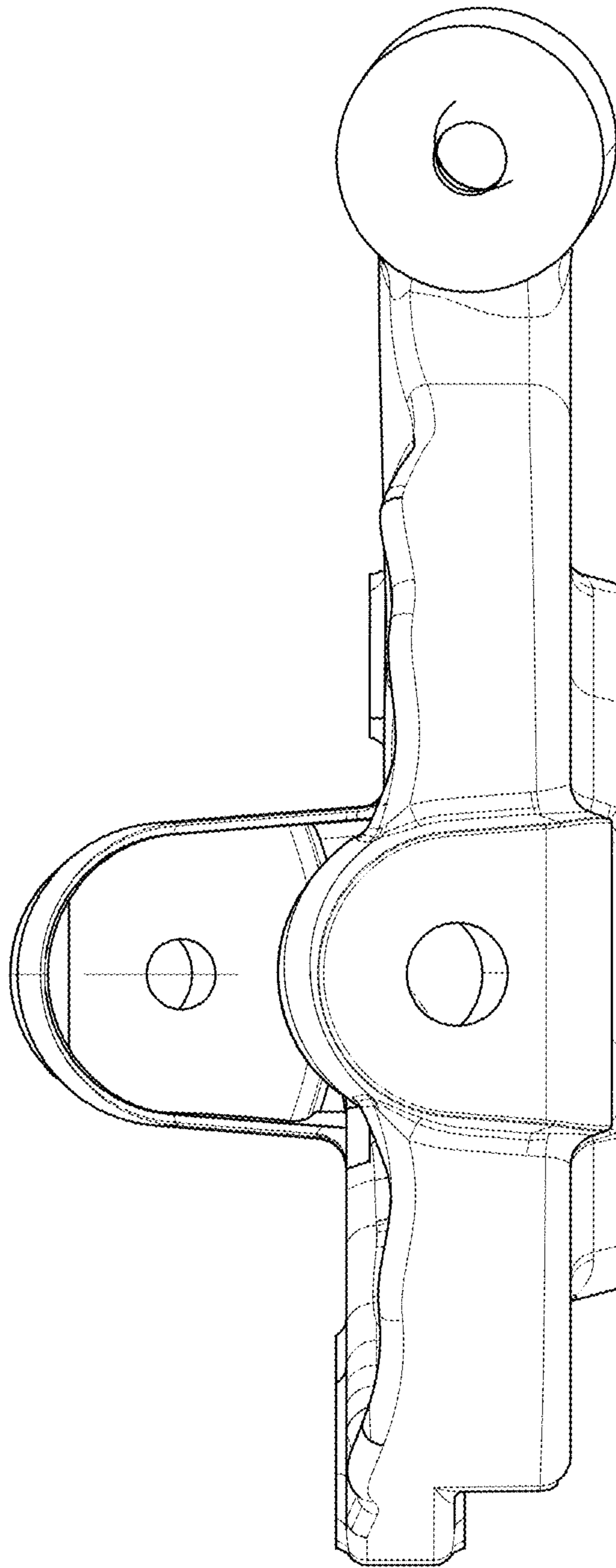


Figure 2

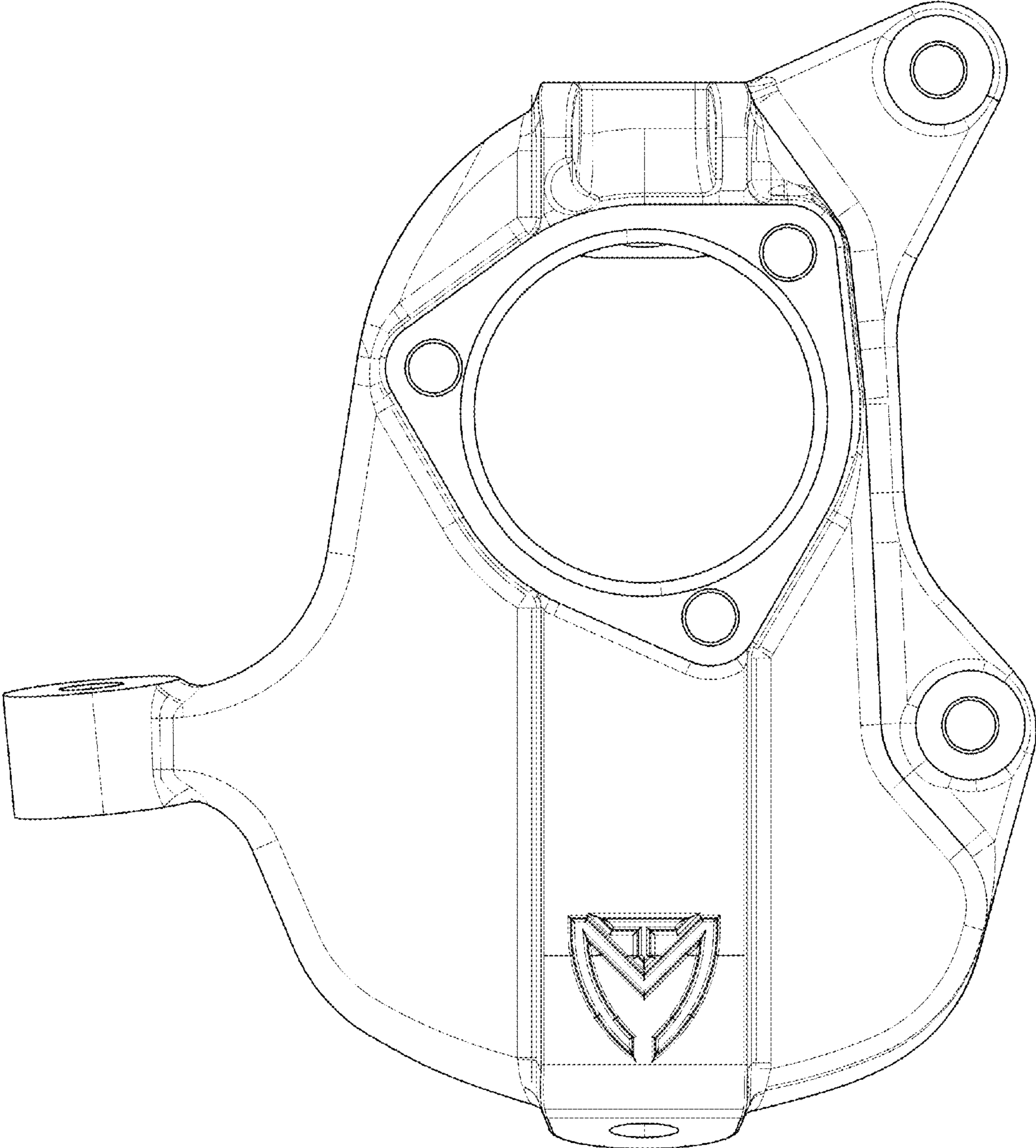


Figure 3

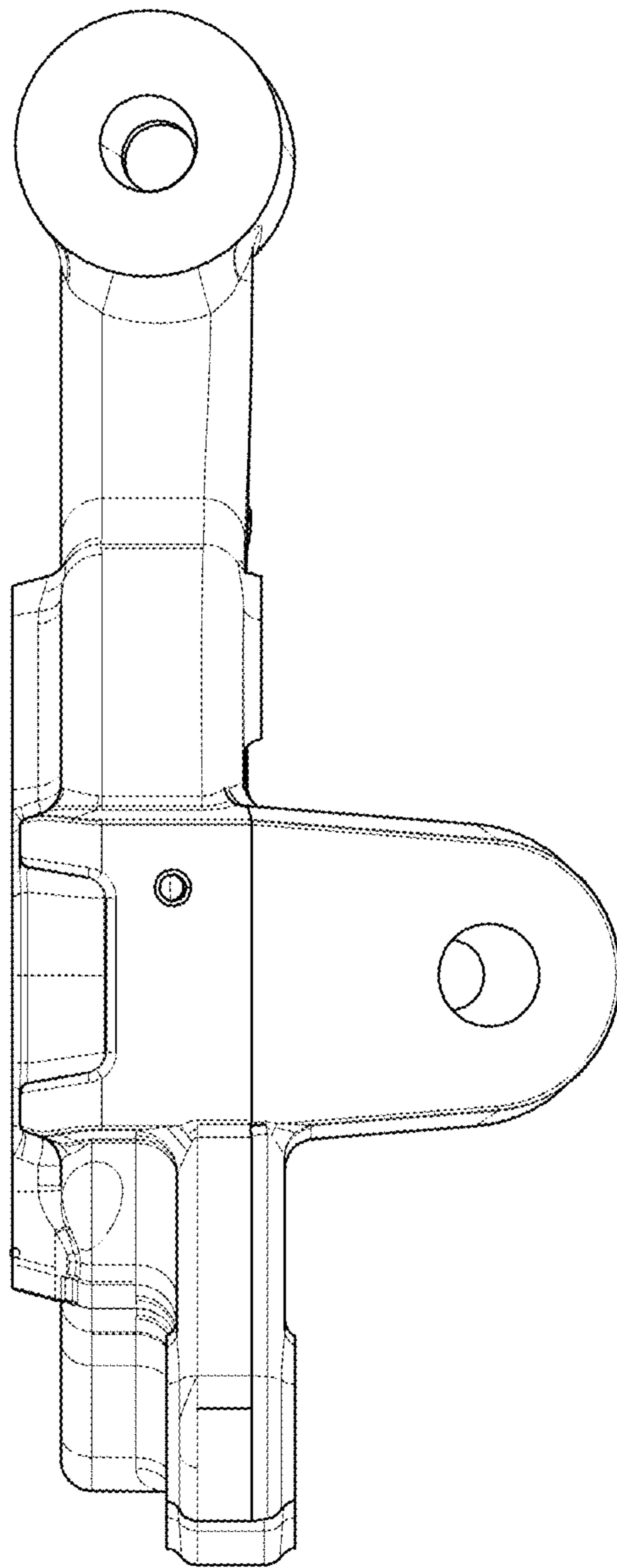


Figure 4

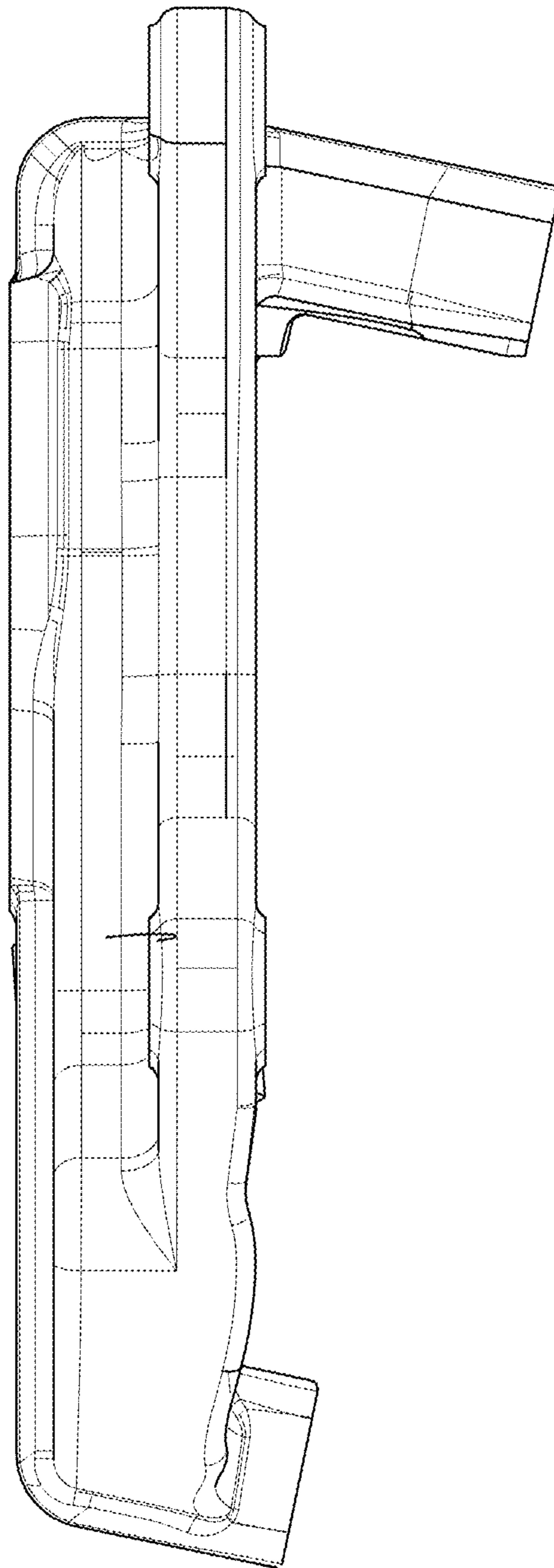


Figure 5

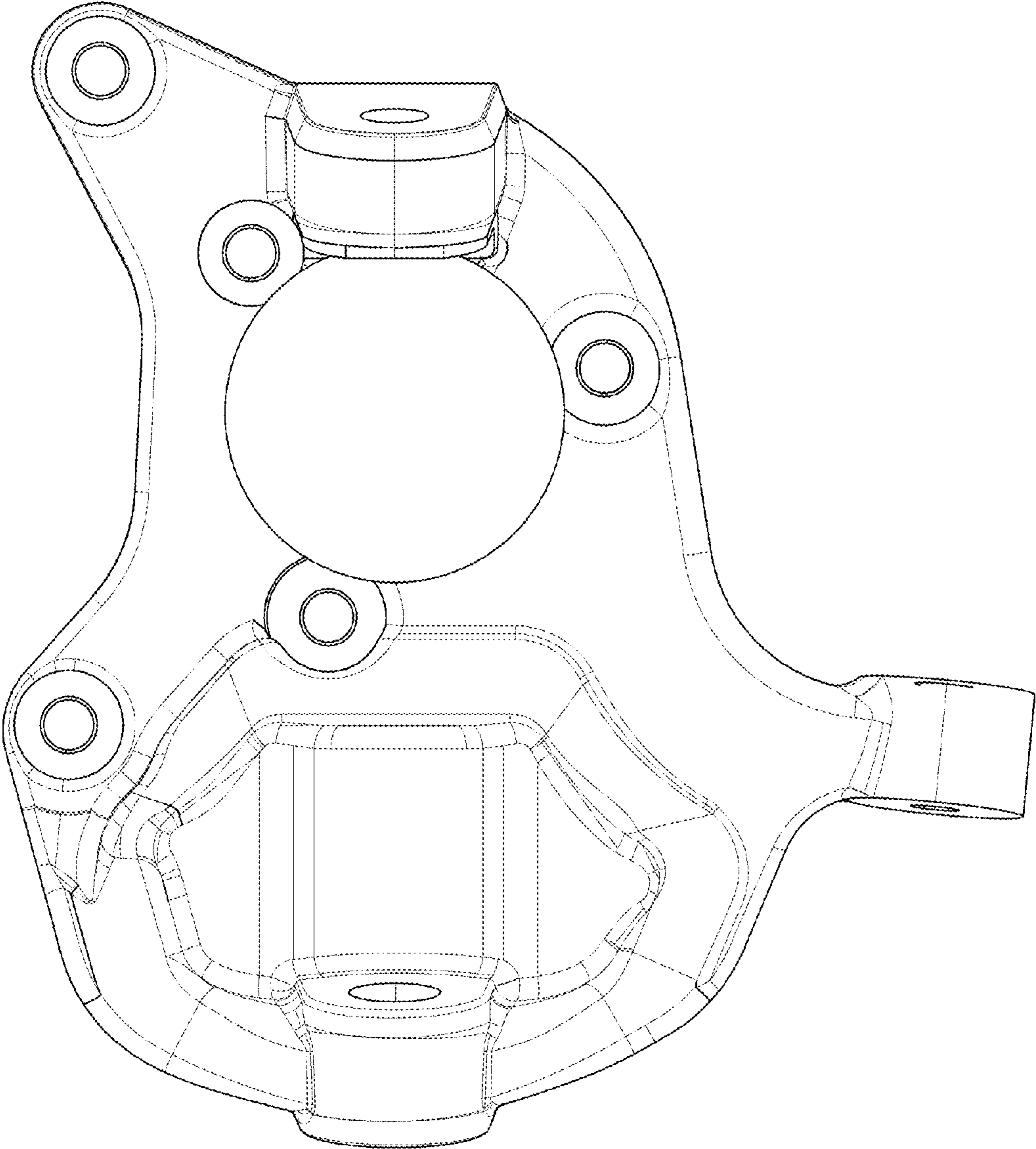


Figure 6

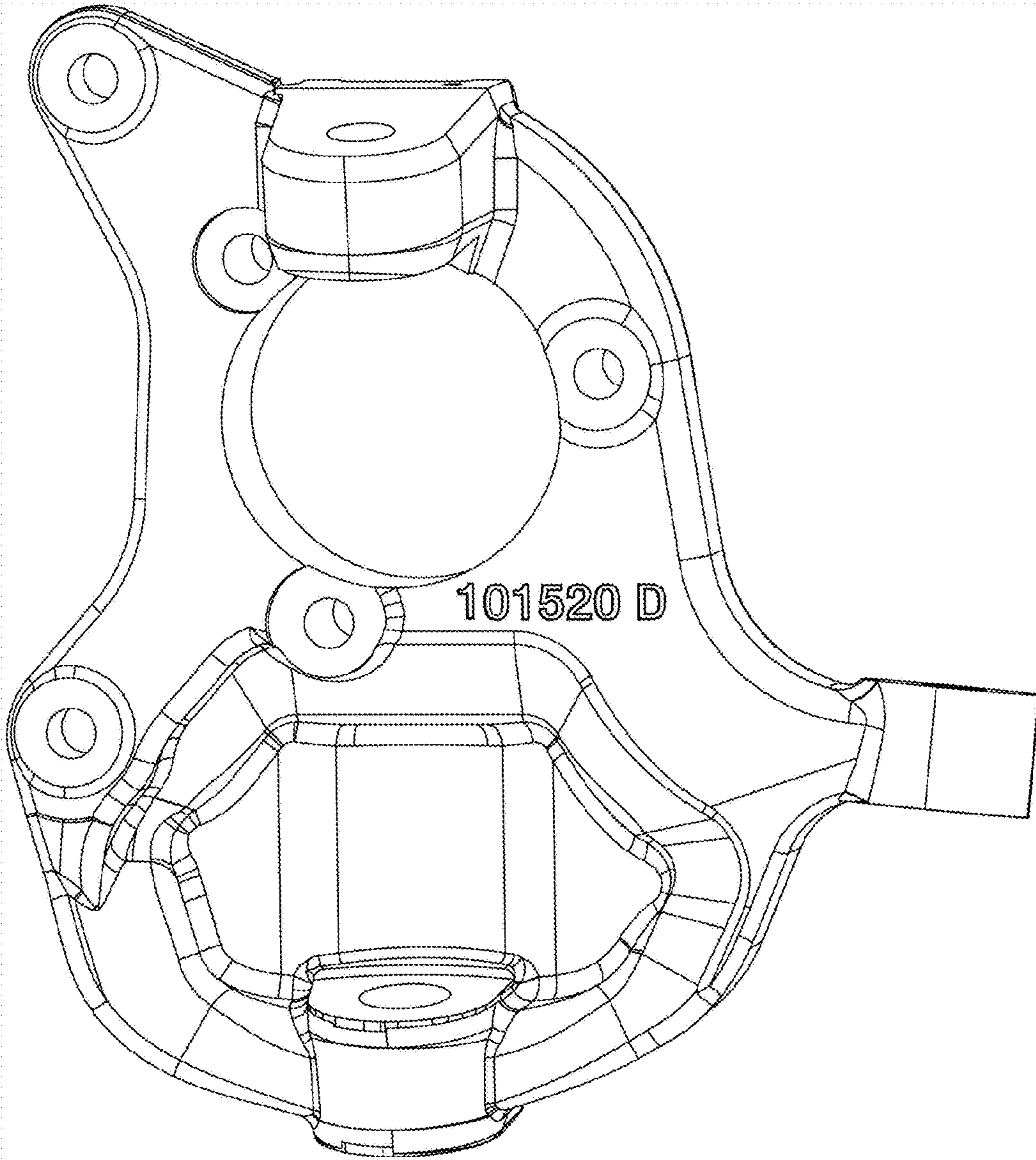


Figure 7

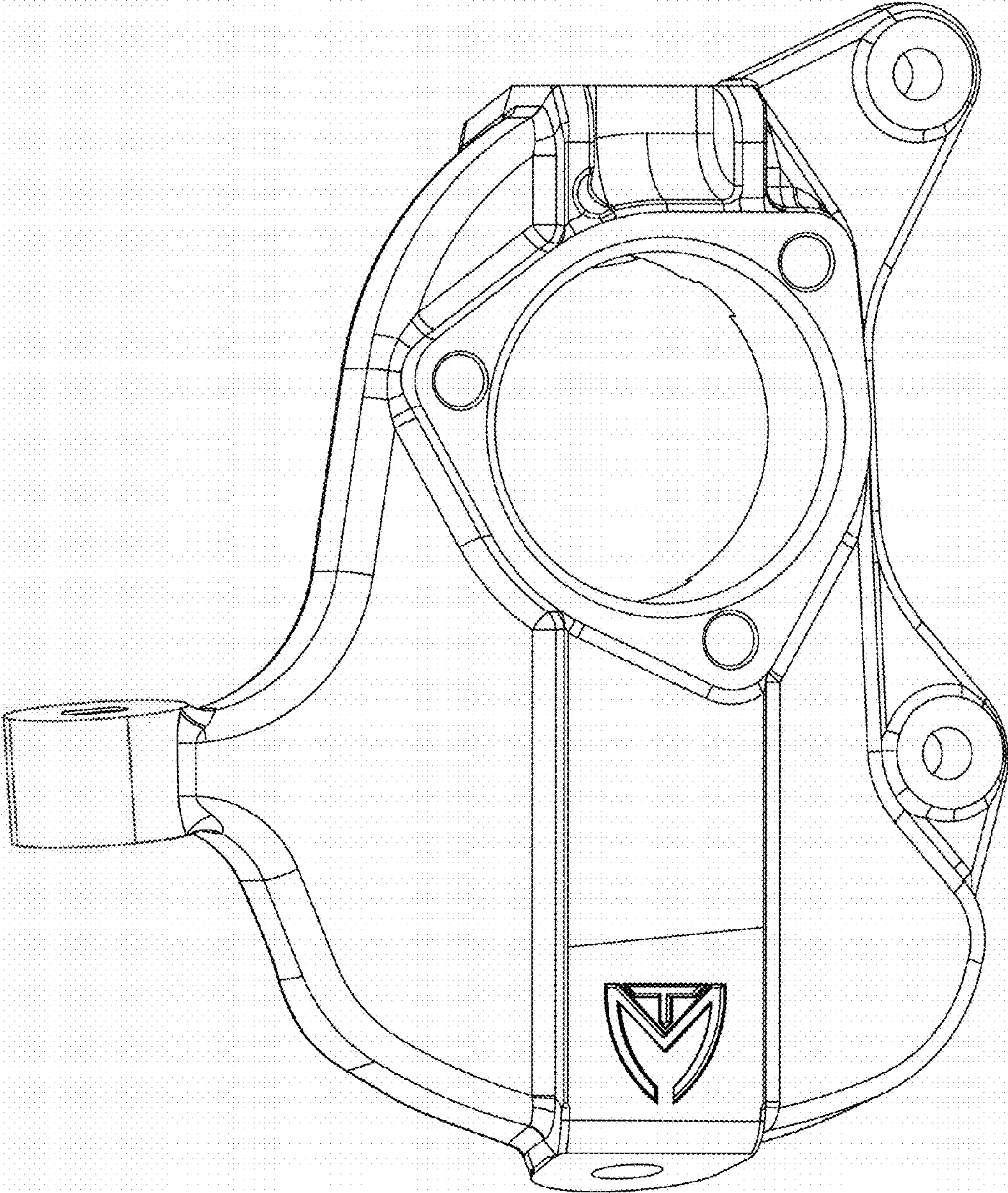


Figure 8