



US00D772125S

(12) **United States Design Patent**
Huang et al.

(10) **Patent No.:** **US D772,125 S**

(45) **Date of Patent:** **** Nov. 22, 2016**

- (54) **ELECTRIC POWER STEERING**
- (71) Applicant: **ROTATEH INTERNATIONAL CORP.**, Taichung (TW)
- (72) Inventors: **Yuan-Hsiang Huang**, Taichung (TW);
Yuan-Chin Huang, Taichung (TW);
Chia-Wei Chen, New Taipei (TW);
Yung-Yu Chan, Taichung (TW);
Shao-Syuan Syu, Taichung (TW)
- (73) Assignee: **ROTATECH INTERNATIONAL CORP.**, Taichung (TW)
- (**) Term: **14 Years**
- (21) Appl. No.: **29/515,287**
- (22) Filed: **Jan. 21, 2015**
- (51) **LOC (10) Cl.** **12-16**
- (52) **U.S. Cl.**
USPC **D12/177**
- (58) **Field of Classification Search**
USPC D12/177; D13/112, 114, 122, 146, 182;
D15/1, 2, 3, 4, 5; 180/443, 444
CPC B62D 5/0406; B62D 5/0409; B62D 1/16;
B62D 5/0412; B62D 1/189; H05K 1/141
See application file for complete search history.

9,073,567	B2 *	7/2015	Yamamoto	B62D 1/16
D736,289	S *	8/2015	Cross	D15/149
D738,834	S *	9/2015	Xie	D13/182
D758,314	S *	6/2016	Shanahan	D13/146
2011/0000737	A1 *	1/2011	Nagase	B62D 5/0406 180/444
2011/0155499	A1 *	6/2011	Wilkes	B62D 5/0409 180/444
2013/0199866	A1 *	8/2013	Yamamoto	B62D 1/16 180/443
2014/0116798	A1 *	5/2014	Nagase	H05K 1/141 180/443
2016/0036289	A1 *	2/2016	Kawata	B62D 5/0412 180/446
2016/0082908	A1 *	3/2016	Nakano	B62D 5/0406 307/10.1
2016/0121921	A1 *	5/2016	Schonlechner	B62D 5/0409 180/444
2016/0169293	A1 *	6/2016	Randle	B62D 5/0409 180/444

* cited by examiner

Primary Examiner — Rosemary K Tarcza

Assistant Examiner — Yolanda Robinson

(74) *Attorney, Agent, or Firm* — Muncy, Geissler, Olds & Lowe, P.C.

(57) **CLAIM**

The ornamental design for an electric power steering, as shown and described.

DESCRIPTION

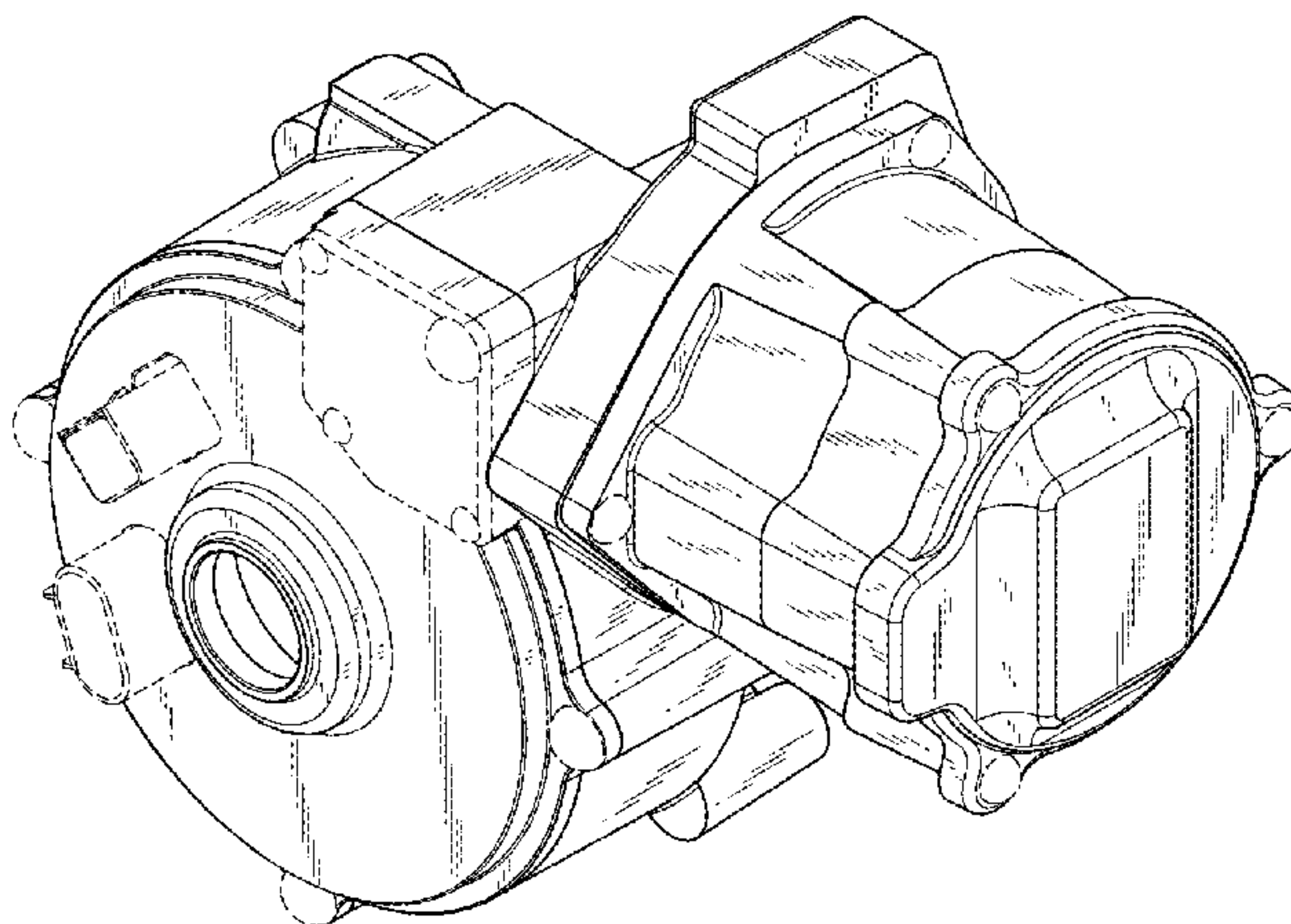
FIG. 1 is a perspective view of the electric power steering;
 FIG. 2 is a front view thereof;
 FIG. 3 is a rear view thereof;
 FIG. 4 is a left side view thereof;
 FIG. 5 is a right side view thereof;
 FIG. 6 is a top view thereof;
 FIG. 7 is a bottom view thereof;
 FIG. 8 is another perspective view thereof; and,
 FIG. 9 is another perspective view thereof.
 The broken lines shown in the drawings are included for the purpose of illustrating unclaimed portions of the electric power steering, and form no part of the claimed design.

1 Claim, 8 Drawing Sheets

(56) **References Cited**

U.S. PATENT DOCUMENTS

D589,858	S *	4/2009	Nagase	D12/177
D599,263	S *	9/2009	Nagase	D12/177
D602,411	S *	10/2009	Nagase	D12/177
D624,015	S *	9/2010	Walker	D13/112
D664,565	S *	7/2012	Sonoda	D15/5
D680,493	S *	4/2013	Basic	D13/114
D681,059	S *	4/2013	Hsu	D15/5
8,408,353	B2 *	4/2013	Nagase	B62D 5/0406 180/443
D686,259	S *	7/2013	Wu	D15/143
8,905,184	B2 *	12/2014	Hosomi	B62D 1/189 180/443
D726,110	S *	4/2015	Wang	D13/122



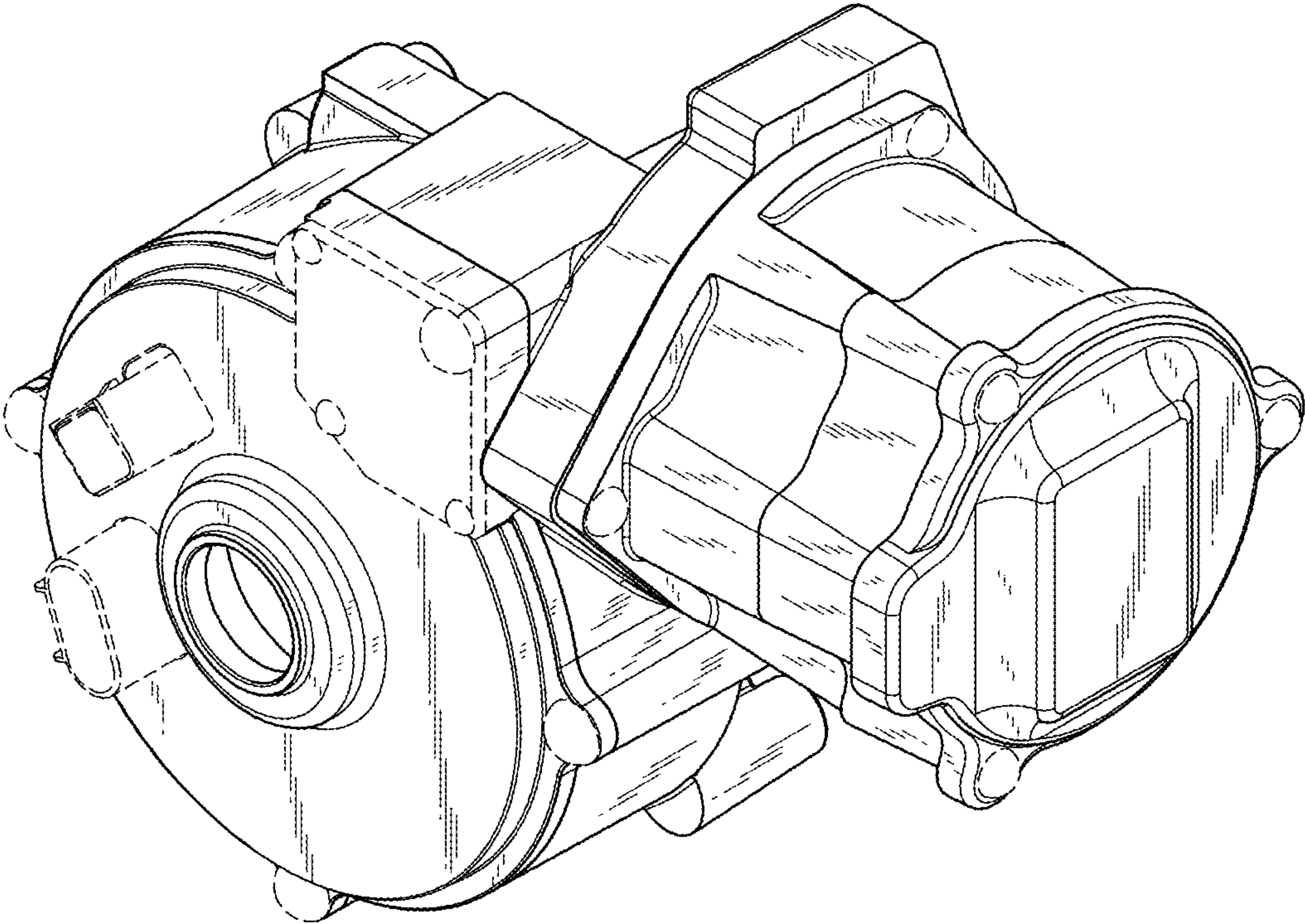


FIG. 1

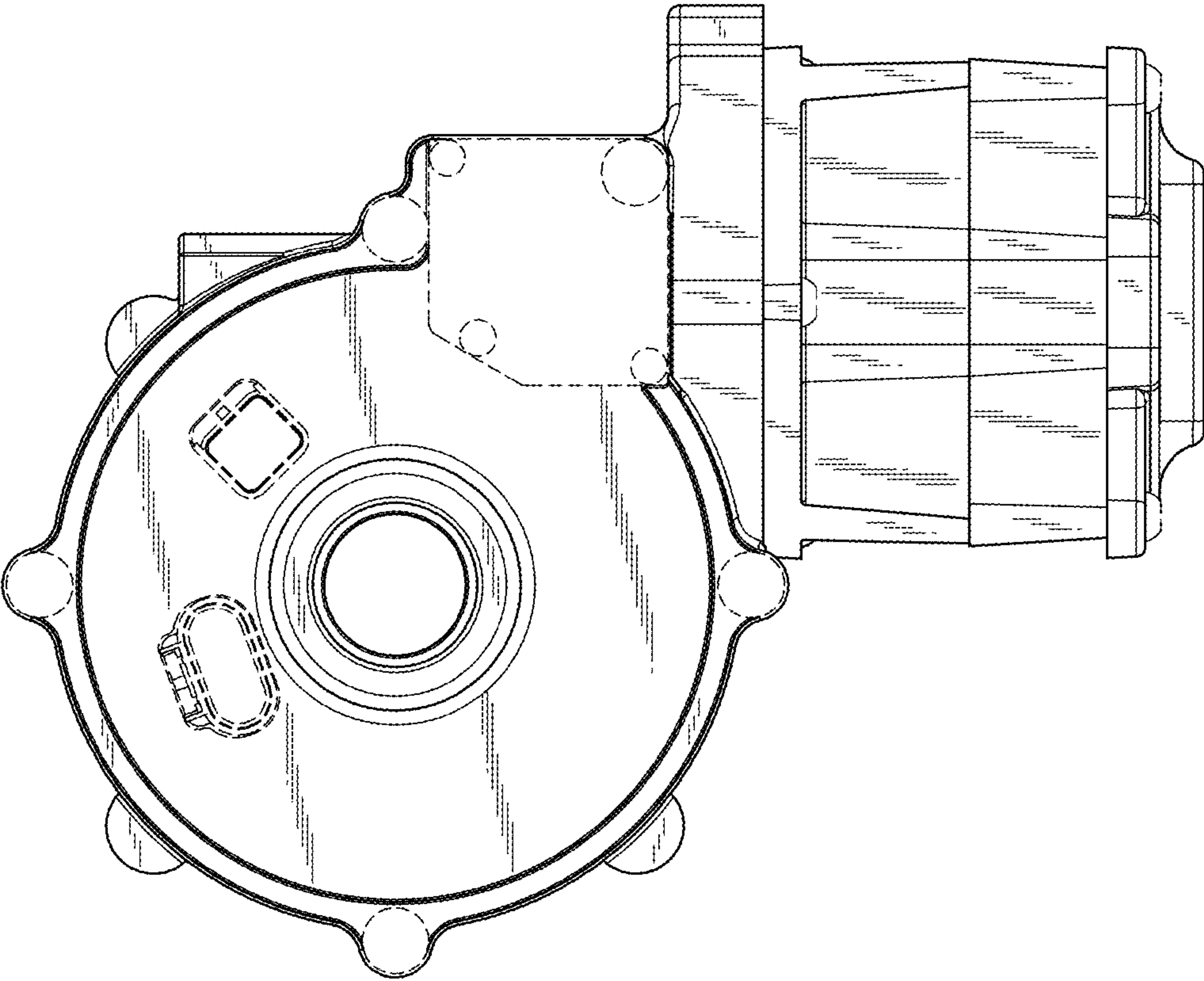


FIG. 2

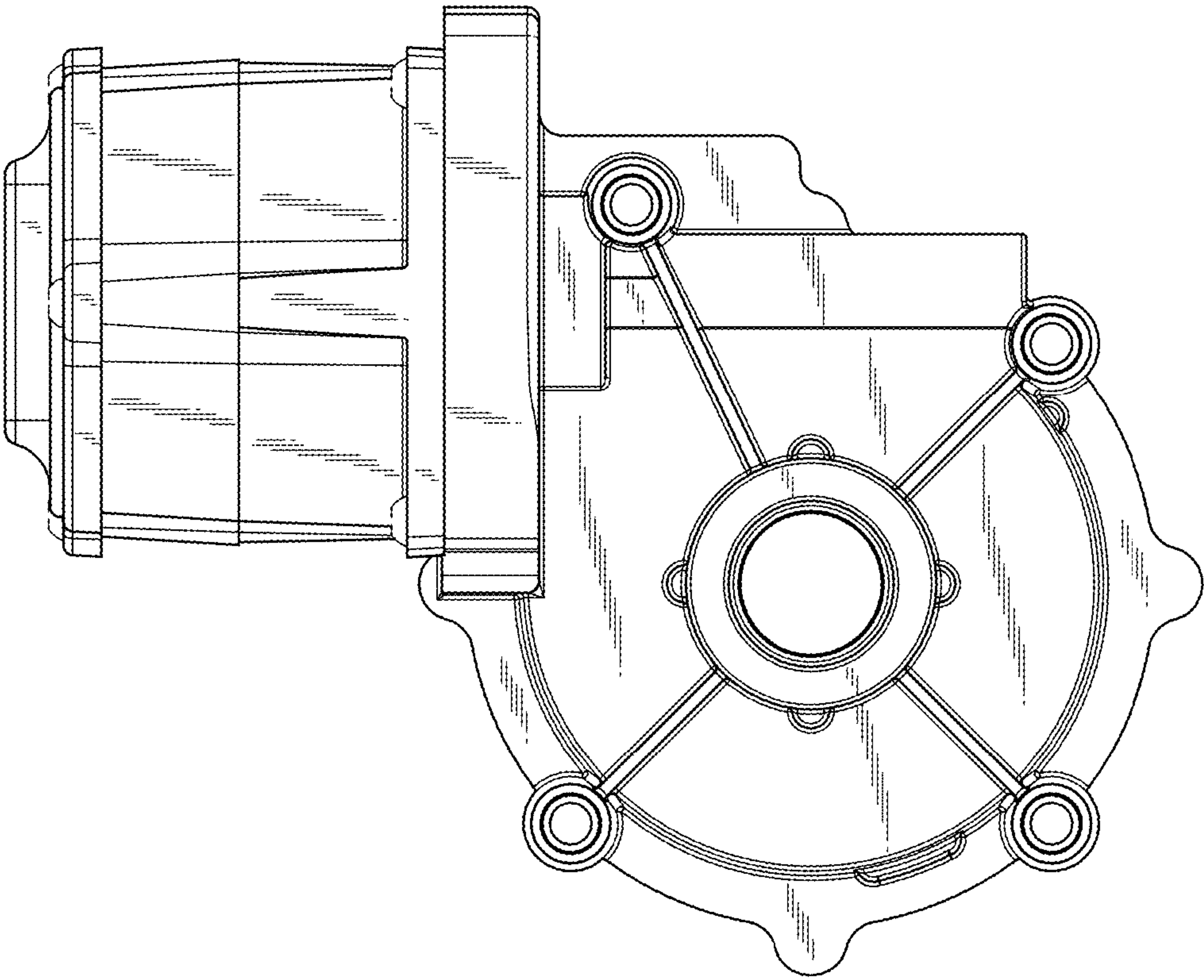


FIG. 3

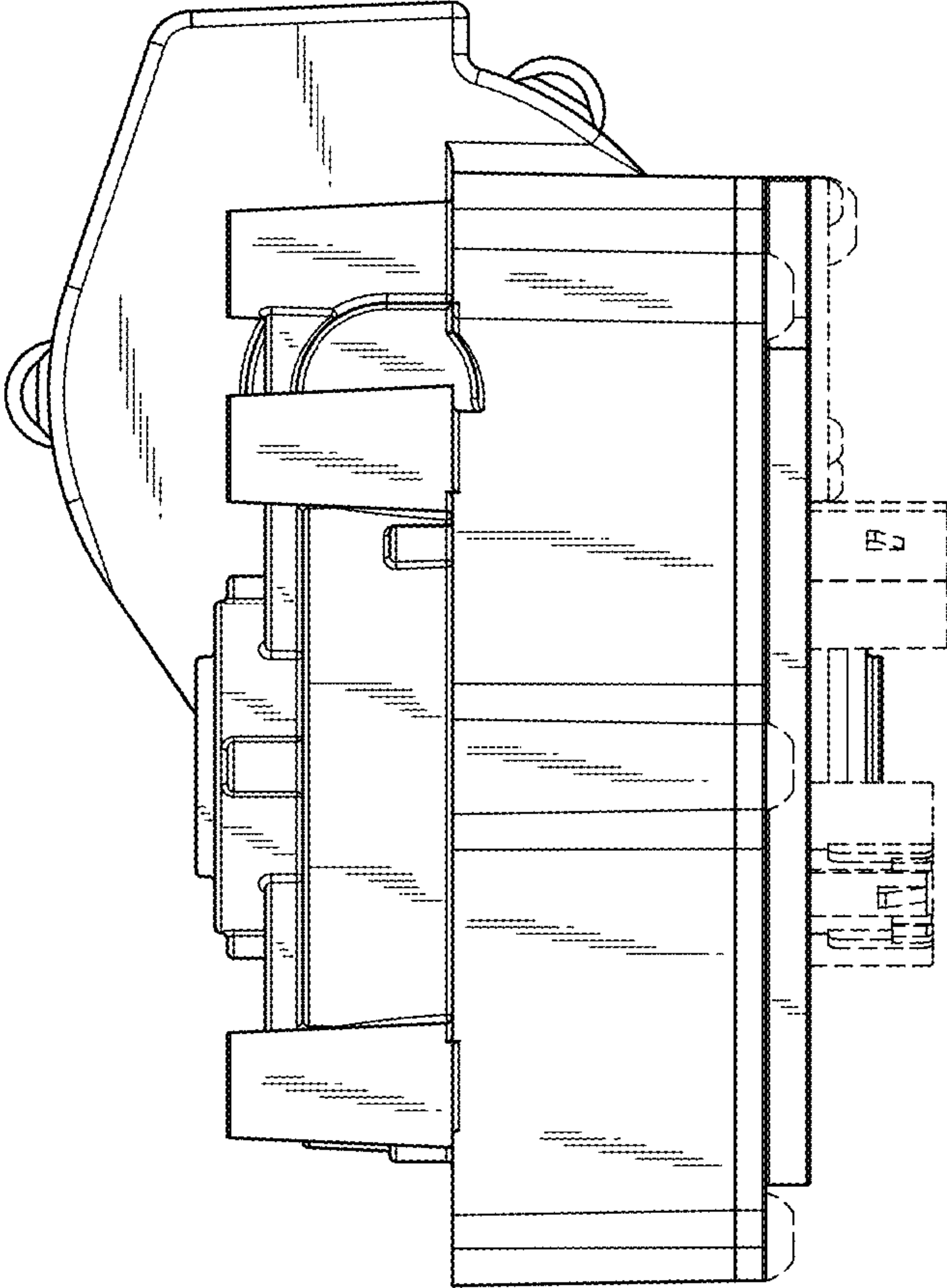


FIG. 4

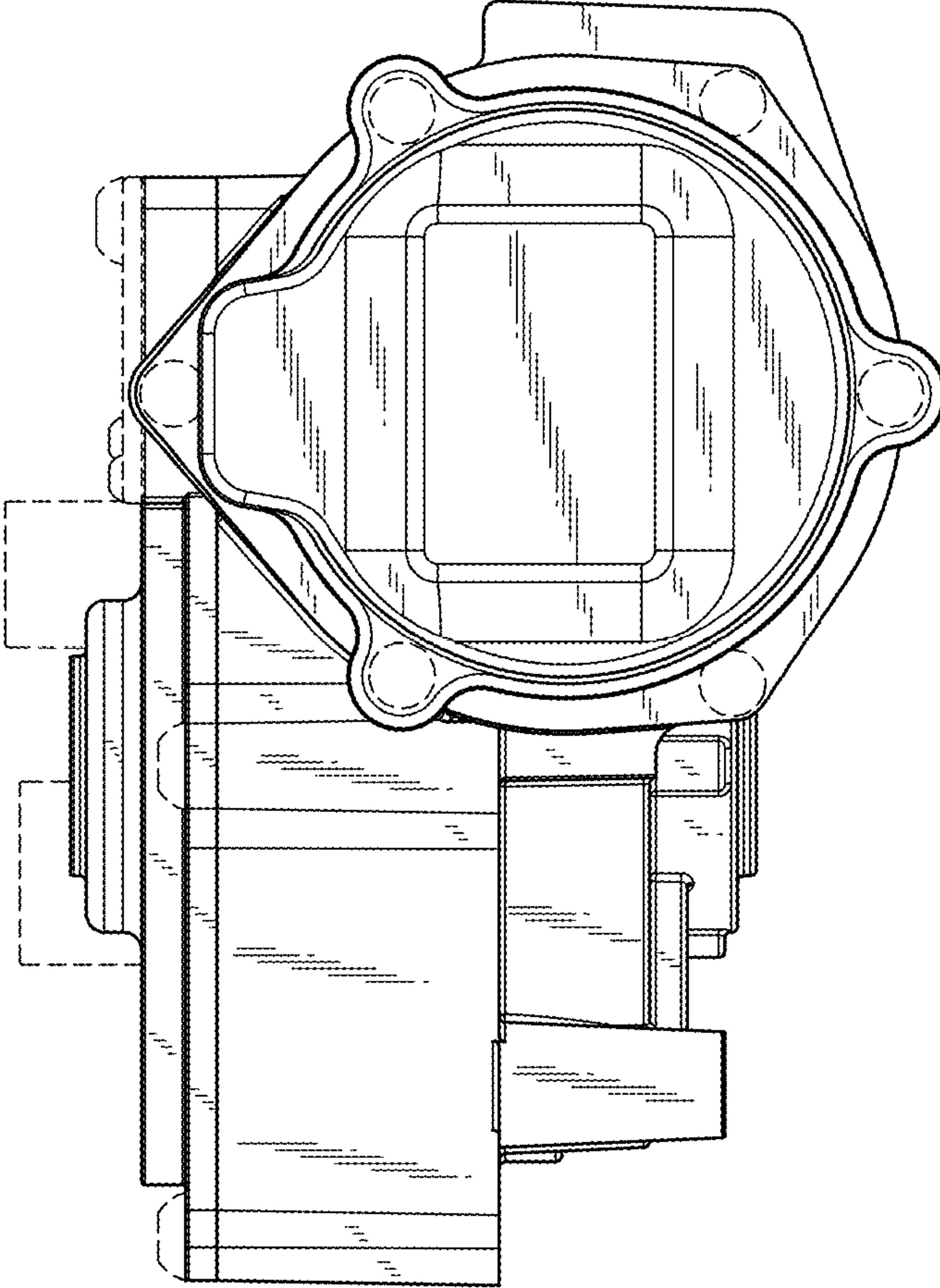


FIG. 5

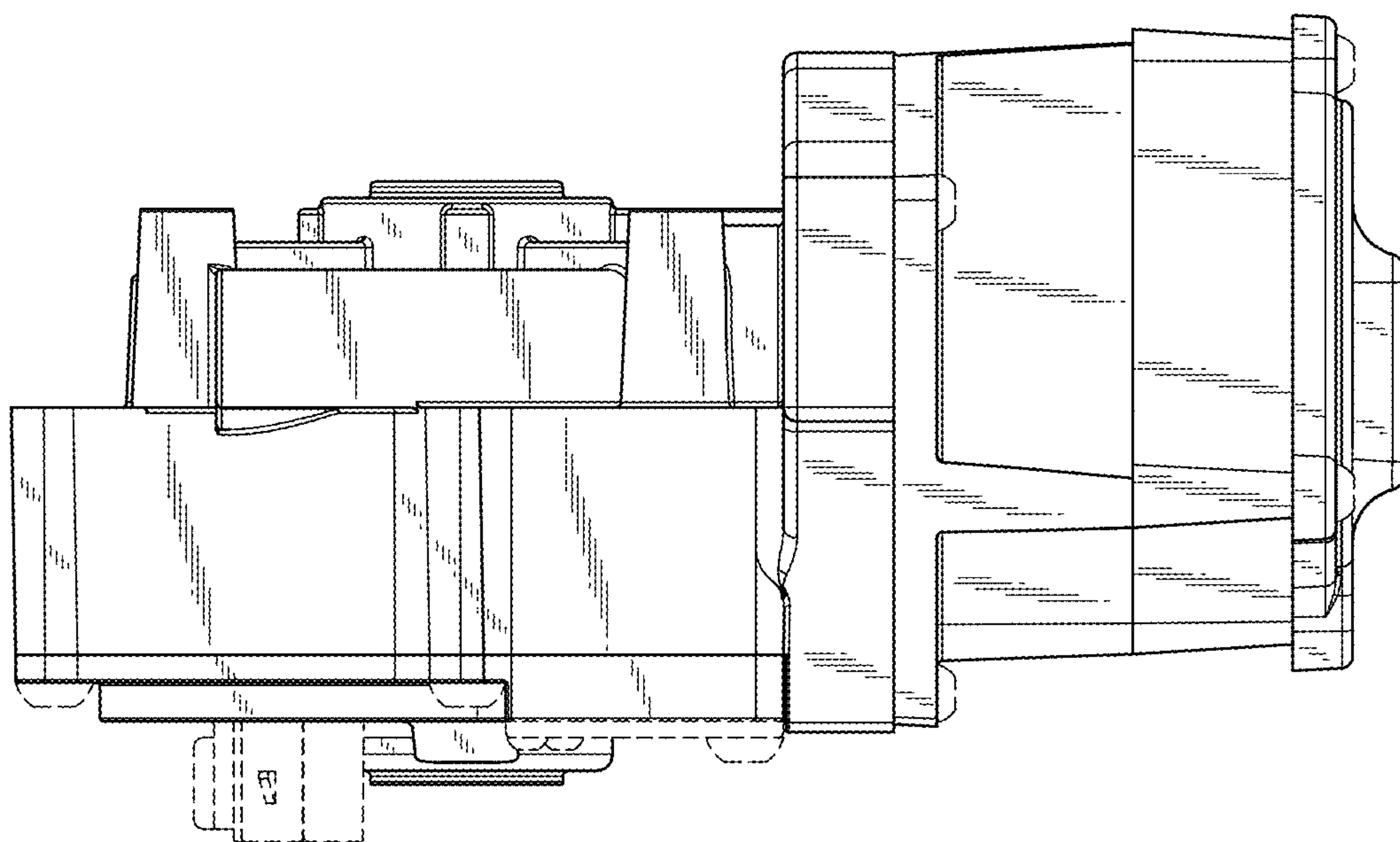


FIG. 6

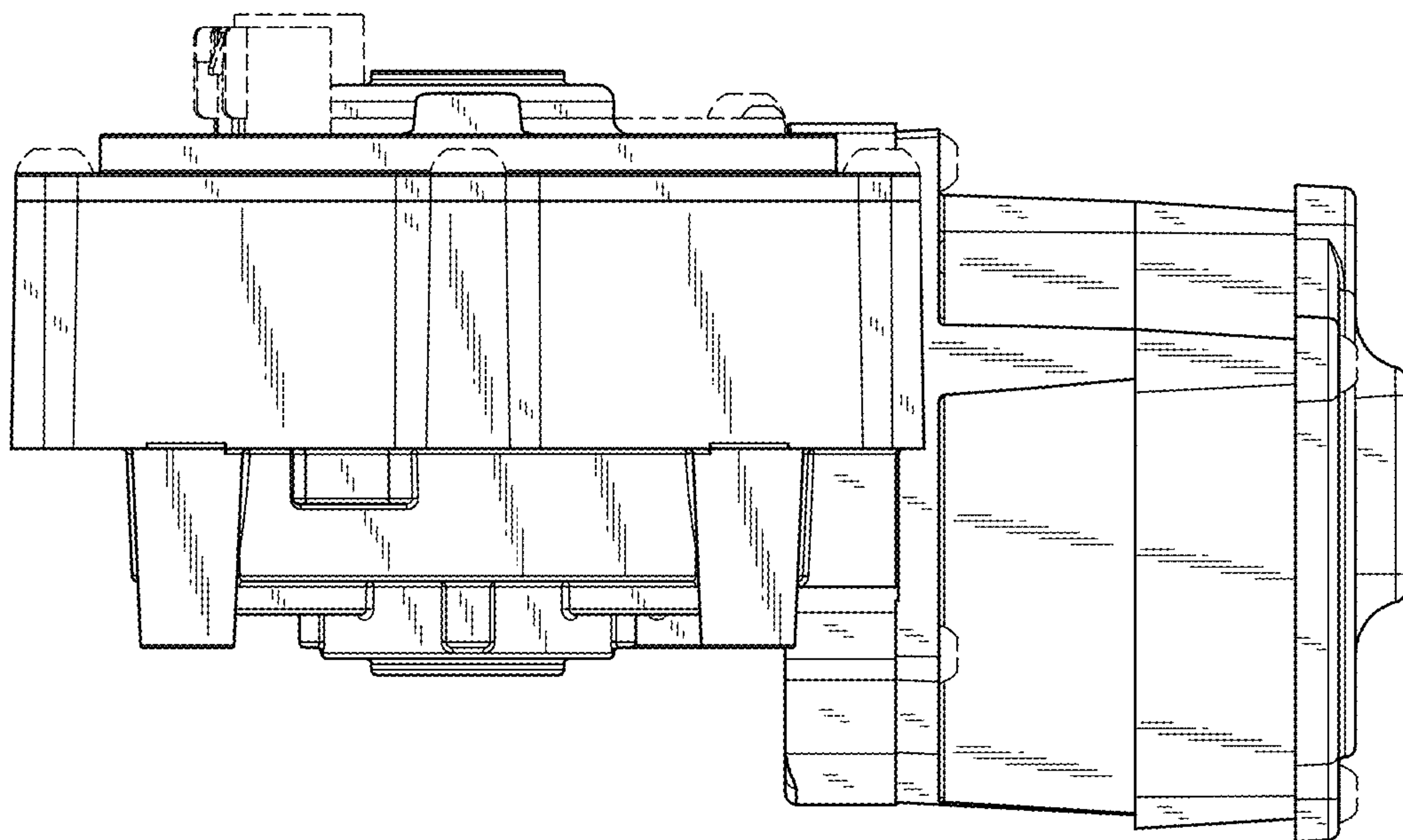


FIG. 7

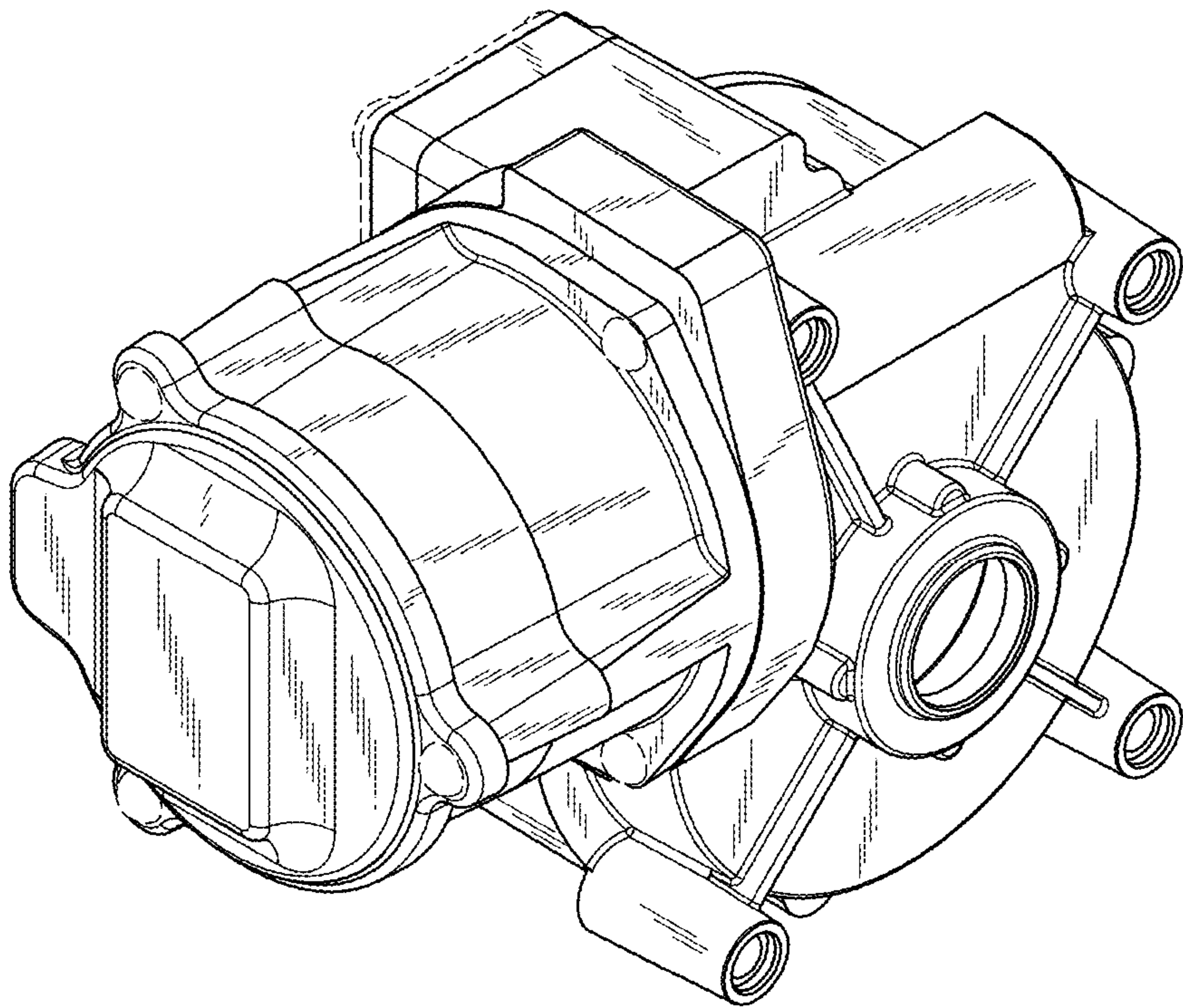


FIG. 8

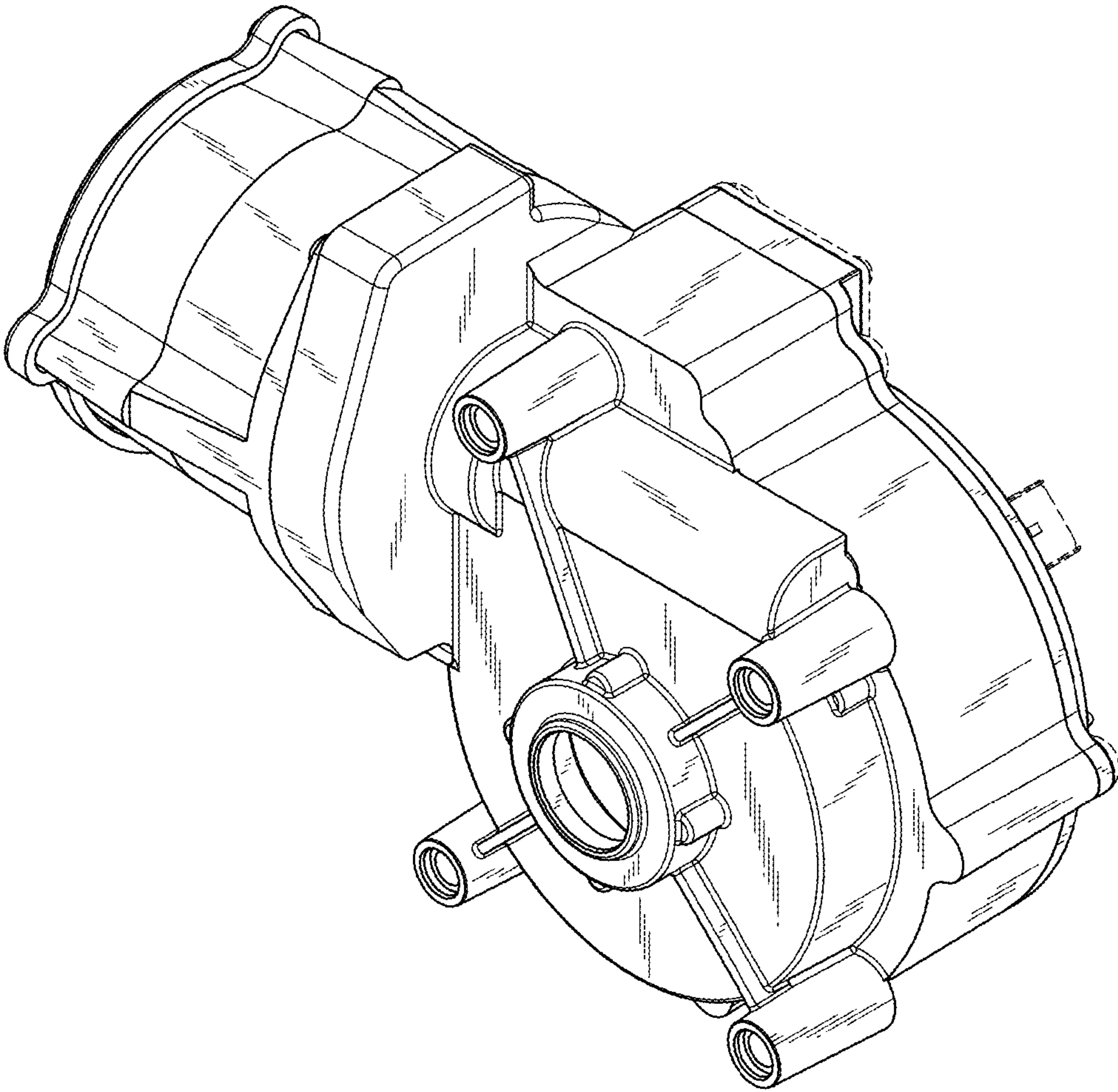


FIG. 9