



US00D772124S

(12) **United States Design Patent** (10) **Patent No.:** **US D772,124 S**
Lee et al. (45) **Date of Patent:** **** Nov. 22, 2016**

(54) **STEERING WHEEL**
(71) Applicants: **Inwoong Lee**, Rochester Hills, MI (US); **Chang-il Lee**, Detroit, MI (US); **Christopher A. Benjamin**, Clarkston, MI (US); **Klaus Busse**, Lake Orion, MI (US)

D703,594 S * 4/2014 Kim D12/176
D704,108 S * 5/2014 Frank D12/176
D716,203 S * 10/2014 Nakai D12/176
D743,858 S * 11/2015 Sugiura D12/176
D743,860 S * 11/2015 Nagumo D12/176
D758,932 S * 6/2016 Schowalter D12/176
D758,933 S * 6/2016 Owaku D12/176
D760,134 S * 6/2016 Montousse D12/176

(72) Inventors: **Inwoong Lee**, Rochester Hills, MI (US); **Chang-il Lee**, Detroit, MI (US); **Christopher A. Benjamin**, Clarkston, MI (US); **Klaus Busse**, Lake Orion, MI (US)

* cited by examiner

Primary Examiner — Melody N Brown

(74) *Attorney, Agent, or Firm* — Ralph E Smith

(73) Assignee: **FCA US LLC**, Auburn Hills, MI (US)

(57) **CLAIM**

The ornamental design for a steering wheel, as shown and described.

(**) Term: **15 Years**

DESCRIPTION

(21) Appl. No.: **29/549,066**

(22) Filed: **Dec. 18, 2015**

(51) **LOC (10) Cl.** **12-16**

(52) **U.S. Cl.**
USPC **D12/176**

(58) **Field of Classification Search**
USPC D12/175, 176; 74/552, 558, 558.5
CPC B60R 21/203; B60R 21/05; B62D 1/04
See application file for complete search history.

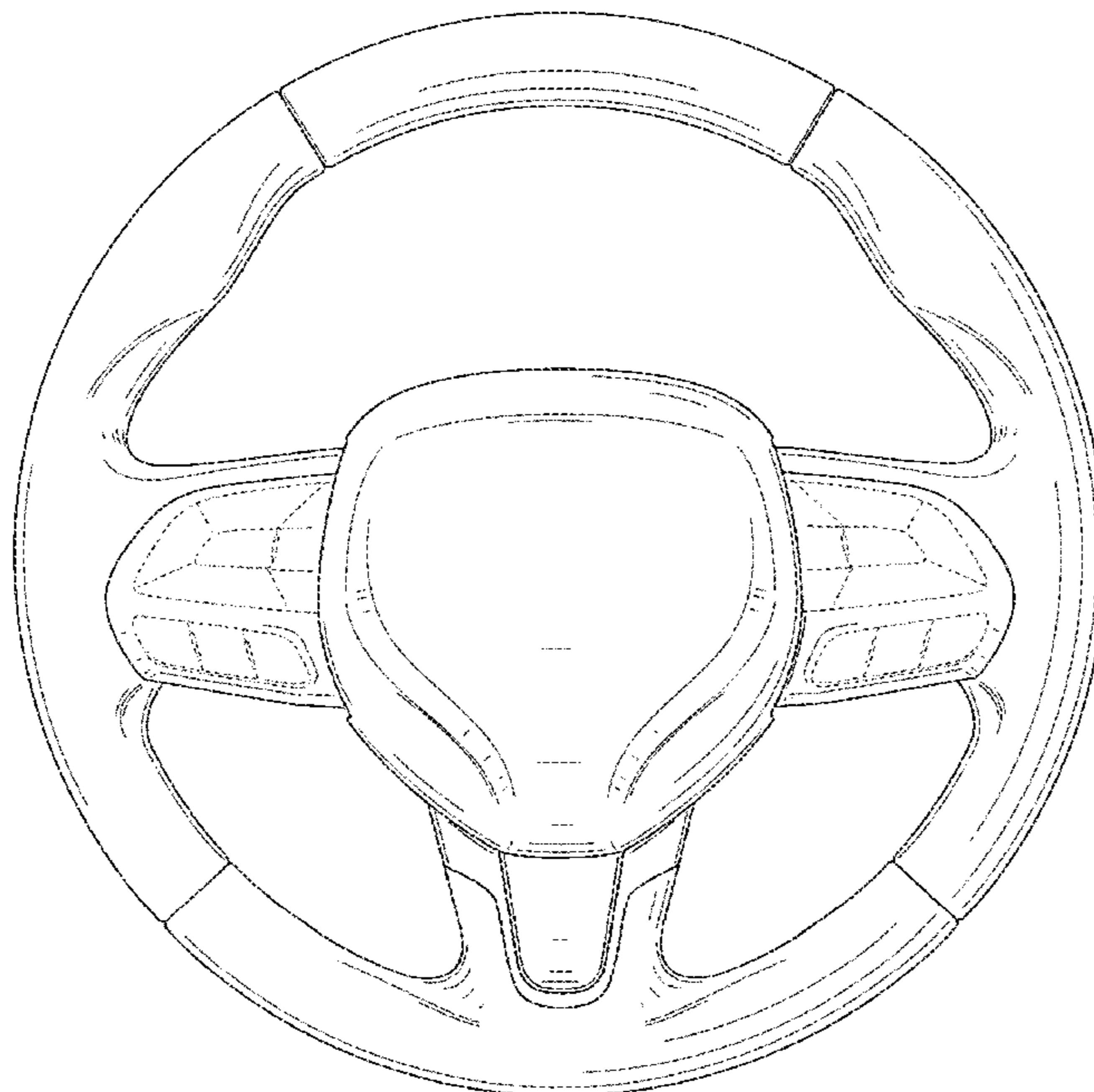
FIG. 1 is a front view of a steering wheel showing our new design;
FIG. 2 is a rear view thereof;
FIG. 3 is a top view thereof;
FIG. 4 is a bottom view thereof;
FIG. 5 is a left side view thereof;
FIG. 6 is a right side view thereof;
FIG. 7 is a right side front perspective view thereof; and,
FIG. 8 is a left side front perspective view.
Surface ornamentation, logos, written matter which forms no part of the claimed invention is disclaimed. It will be understood that the broken lines shown in the drawings illustrate portions of the steering wheel that form no part of claimed design.

(56) **References Cited**

U.S. PATENT DOCUMENTS

D630,983 S * 1/2011 Frank D12/176
D671,464 S 11/2012 Baccus et al.

1 Claim, 7 Drawing Sheets



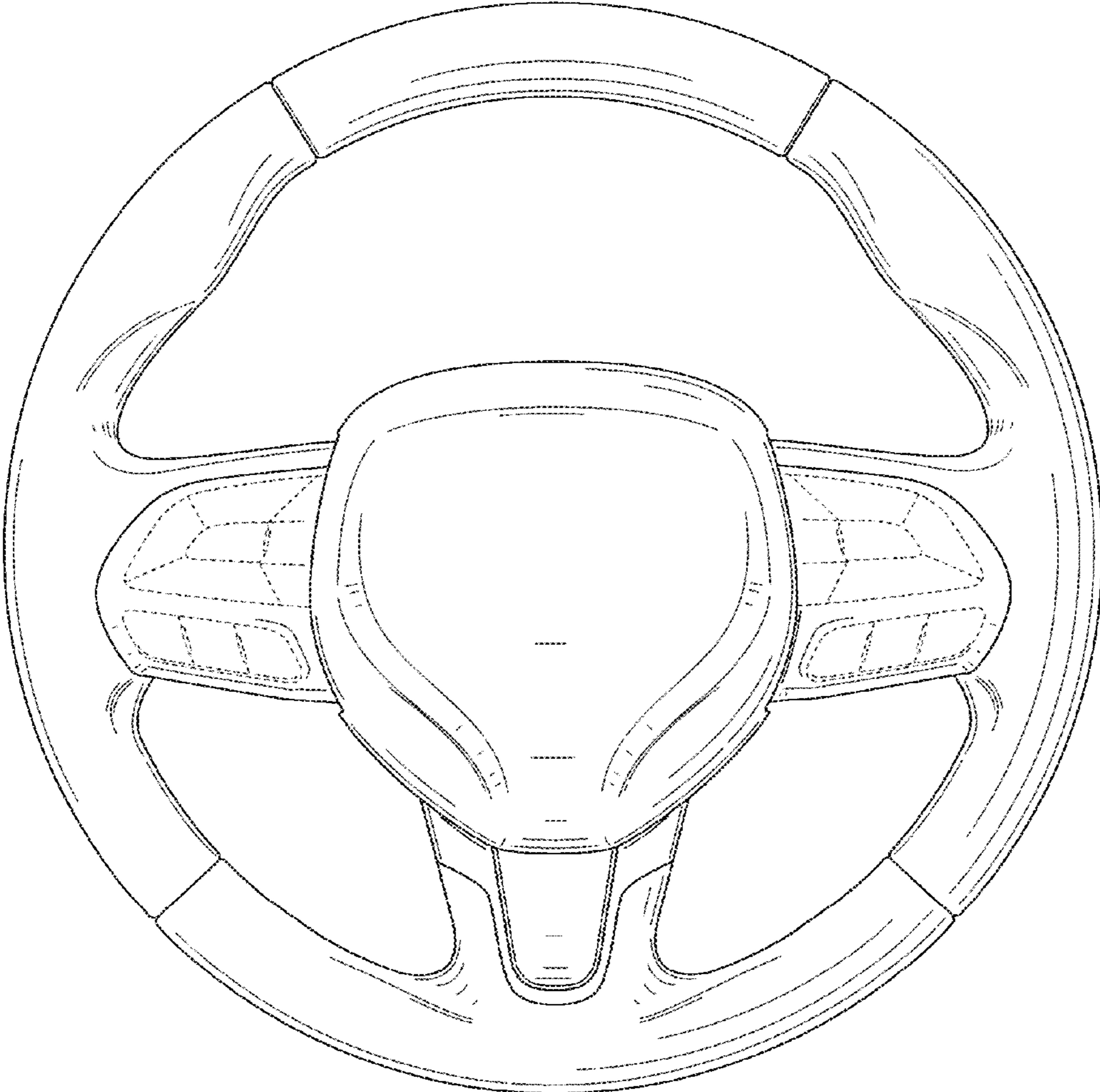


FIG. 1

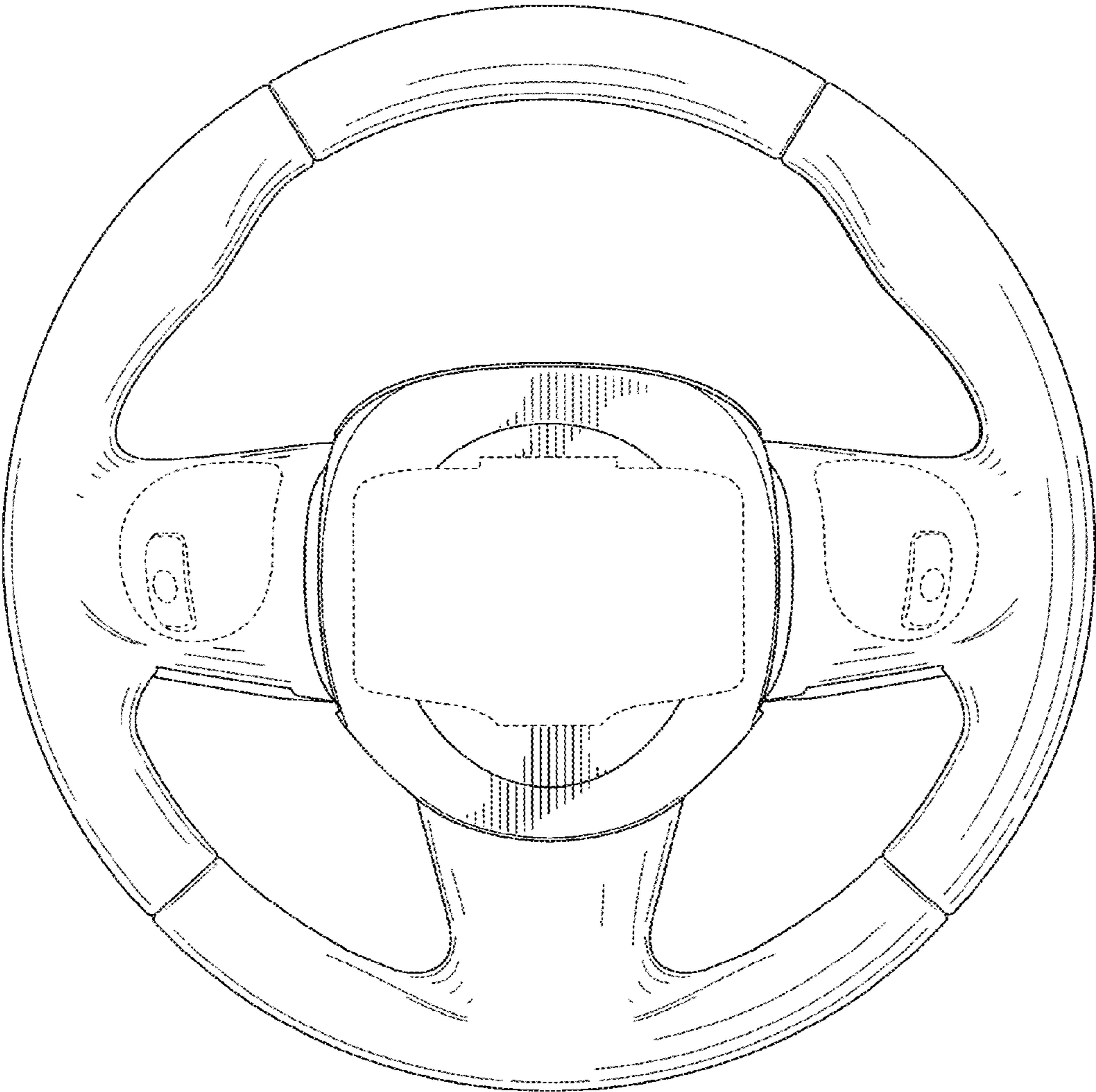


FIG. 2

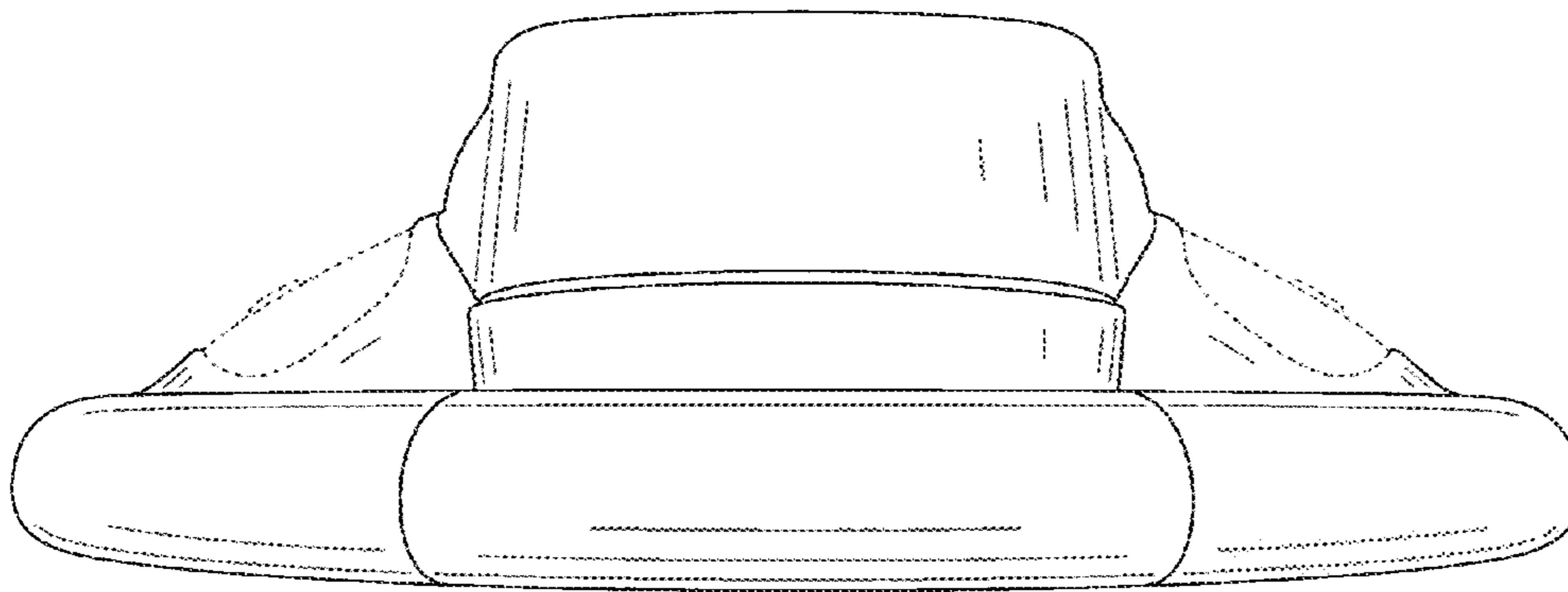


FIG. 3

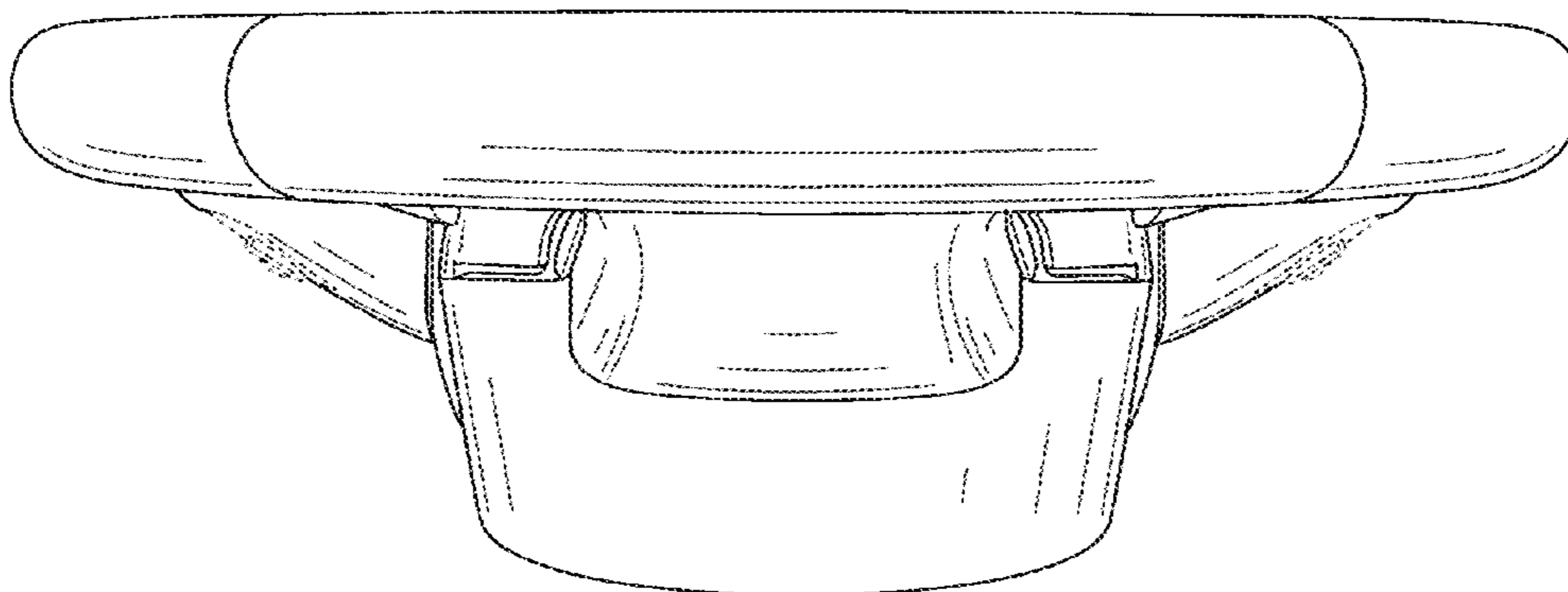


FIG. 4

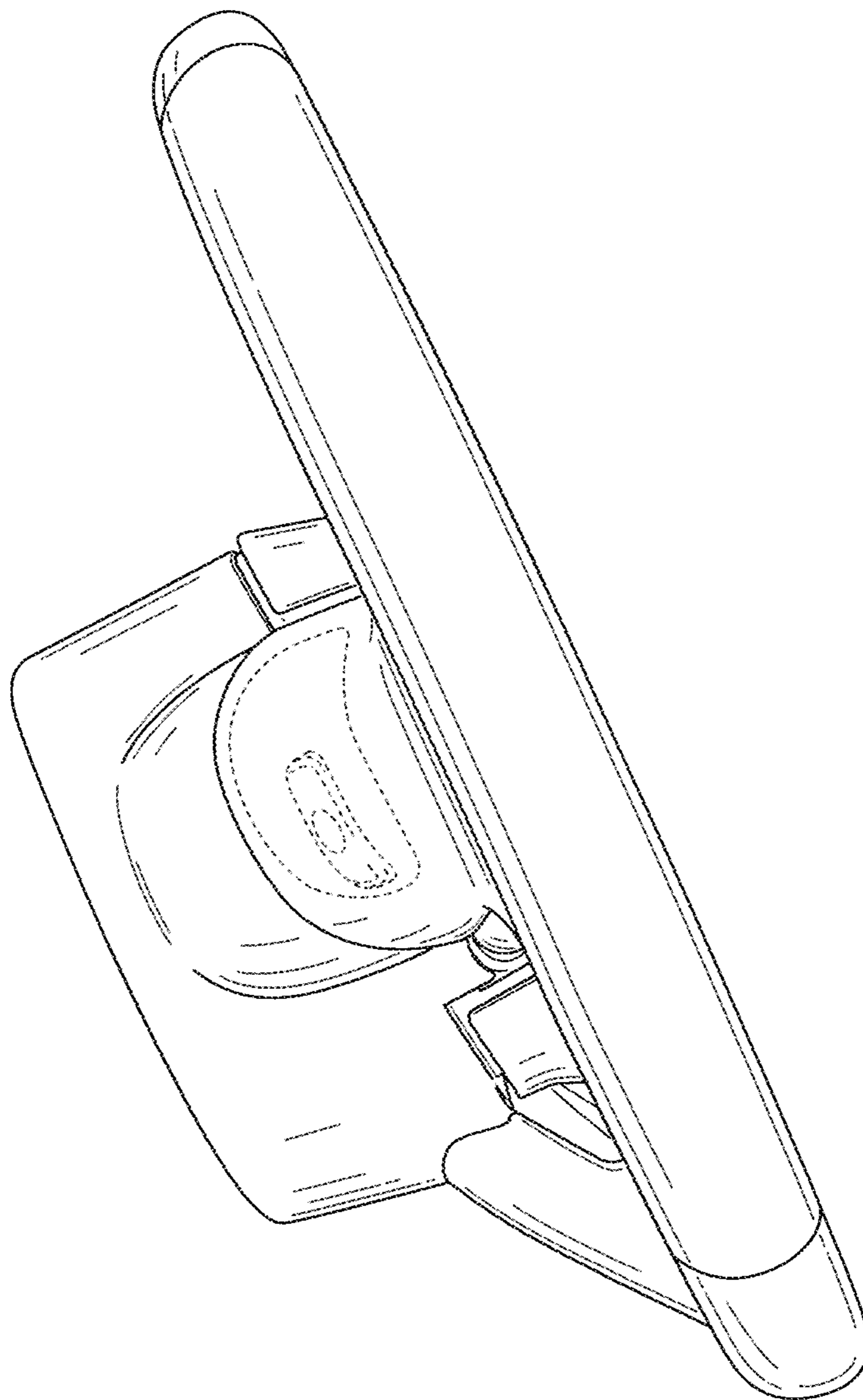


FIG. 5

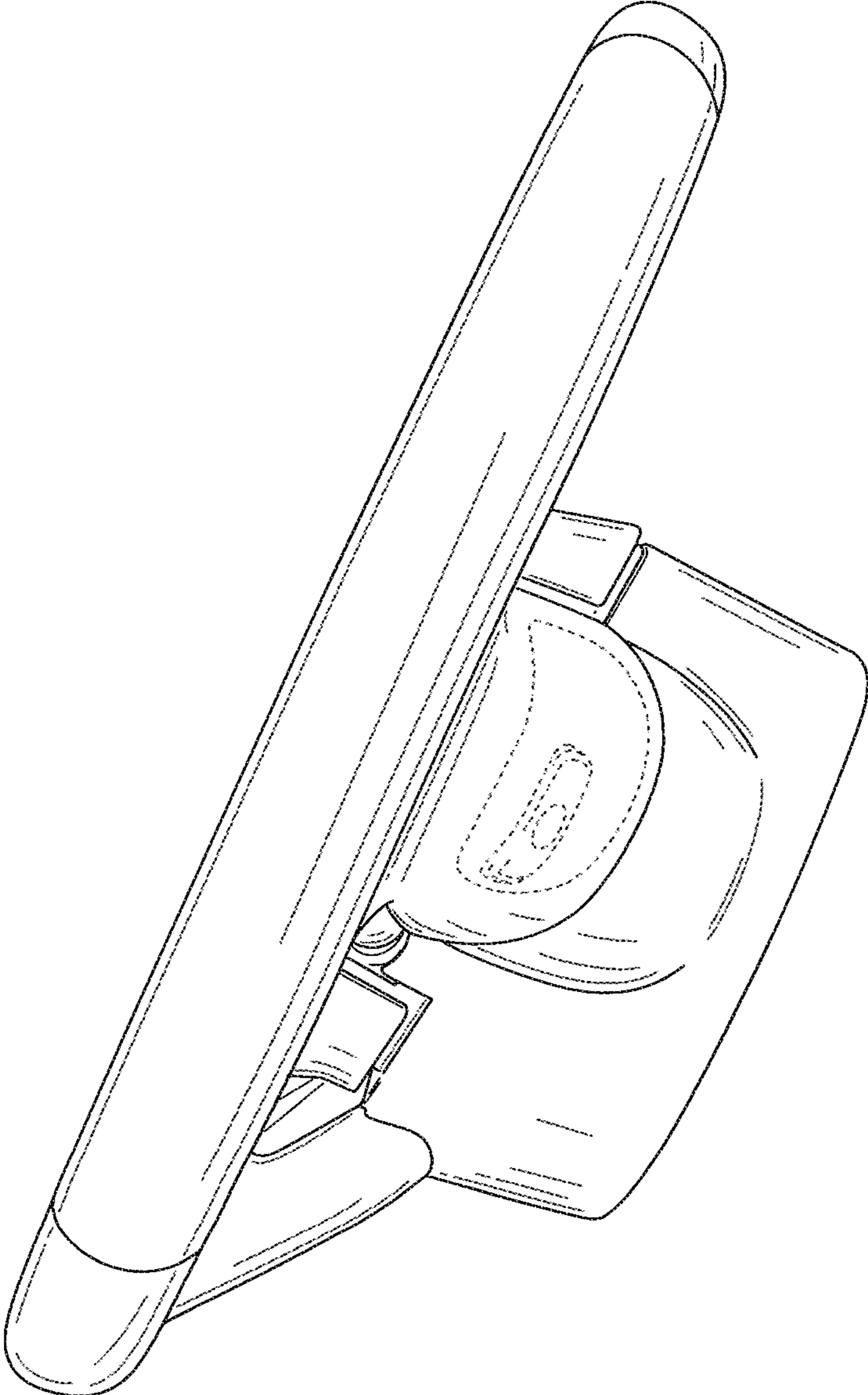


FIG. 6

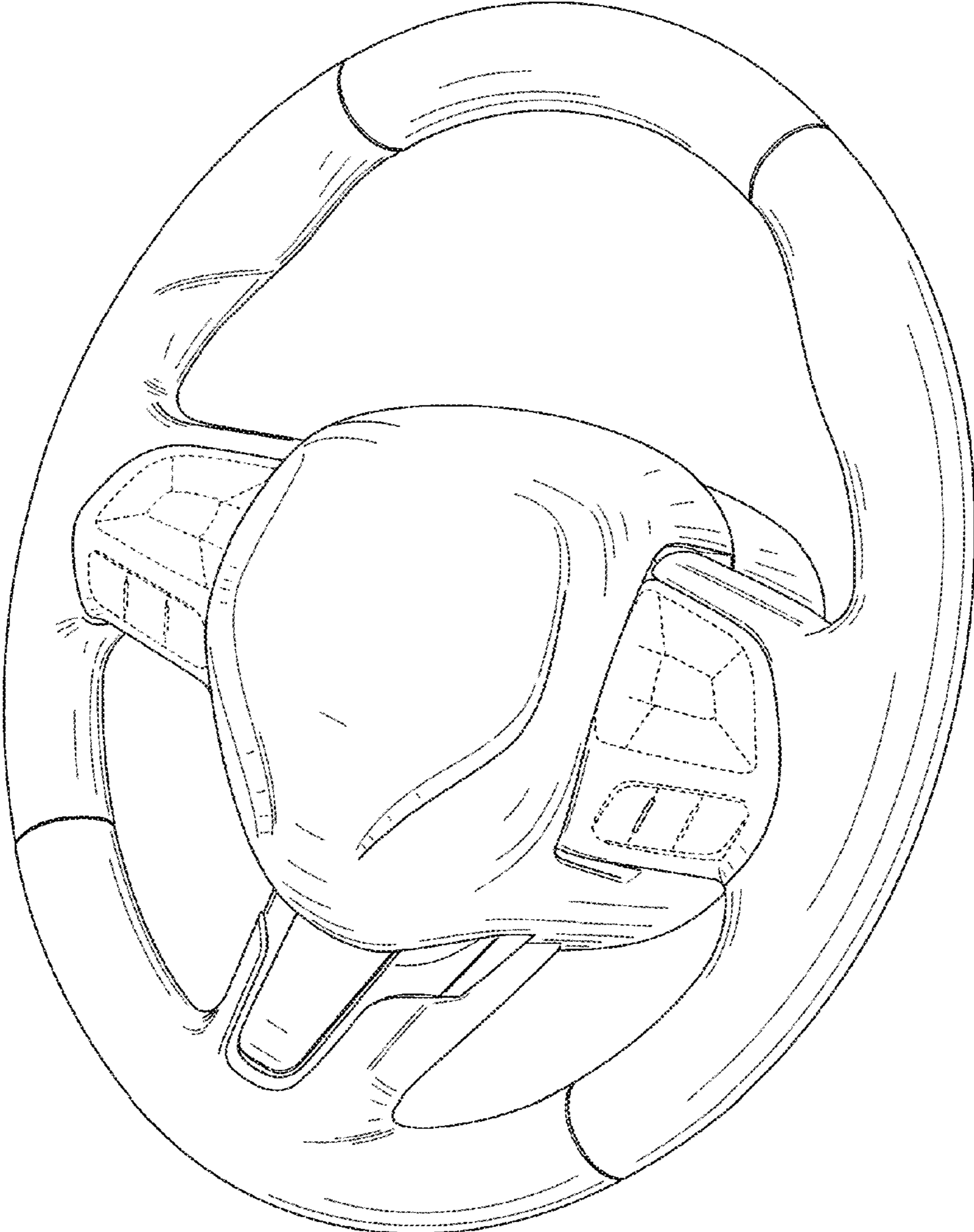


FIG. 7

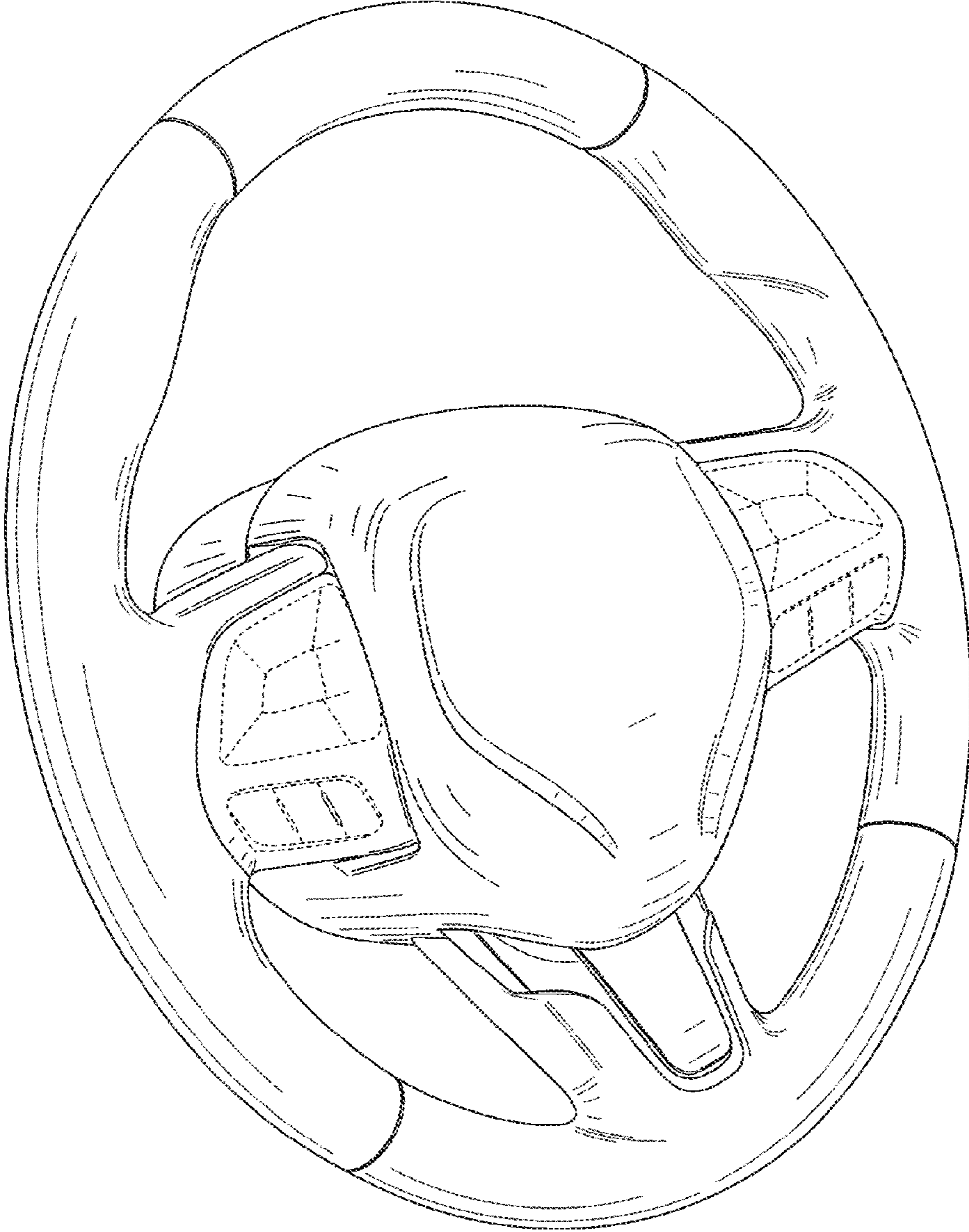


FIG. 8