



US00D772122S

(12) **United States Design Patent** (10) **Patent No.:** **US D772,122 S**
Zurian (45) **Date of Patent:** **** Nov. 22, 2016**

(54) **FRONT BUMPER FOR A VEHICLE**
(71) Applicant: **Bayerische Motoren Werke Aktiengesellschaft, Munich (DE)**
(72) Inventor: **Khrystyne Zurian, Munich (DE)**
(73) Assignee: **Bayerische Motoren Werke Aktiengesellschaft, Munich (DE)**
(**) Term: **15 Years**

D702,160 S * 4/2014 Miyazawa D12/169
D712,799 S * 9/2014 Kang D12/169
D713,767 S * 9/2014 Selvaag D12/169
D716,199 S * 10/2014 Beermann D12/169
D735,096 S * 7/2015 Nissl D12/169
D744,912 S * 12/2015 Leclercq D12/169
D748,543 S * 2/2016 Nissl D12/169

(21) Appl. No.: **29/530,463**
(22) Filed: **Jun. 17, 2015**
(30) **Foreign Application Priority Data**

FOREIGN PATENT DOCUMENTS

WO DM/084038 1/2015
WO DM/084222 2/2015
WO DM/084986 5/2015

* cited by examiner

Primary Examiner — Melody N Brown
(74) *Attorney, Agent, or Firm* — Crowell & Moring LLP

Dec. 18, 2014 (DE) 40 2014 101 250
(51) **LOC (10) Cl.** **12-16**
(52) **U.S. Cl.**
USPC **D12/169**
(58) **Field of Classification Search**
USPC D12/169, 216, 90-92, 86, 171, 196,
D12/163; 293/102, 113, 115, 117, 120;
296/180.1, 180.2
CPC B60R 19/52; B60R 2019/25; B62D
25/0845
See application file for complete search history.

(57) **CLAIM**

The ornamental design for a front bumper for a vehicle, as shown and described.

(56) **References Cited**

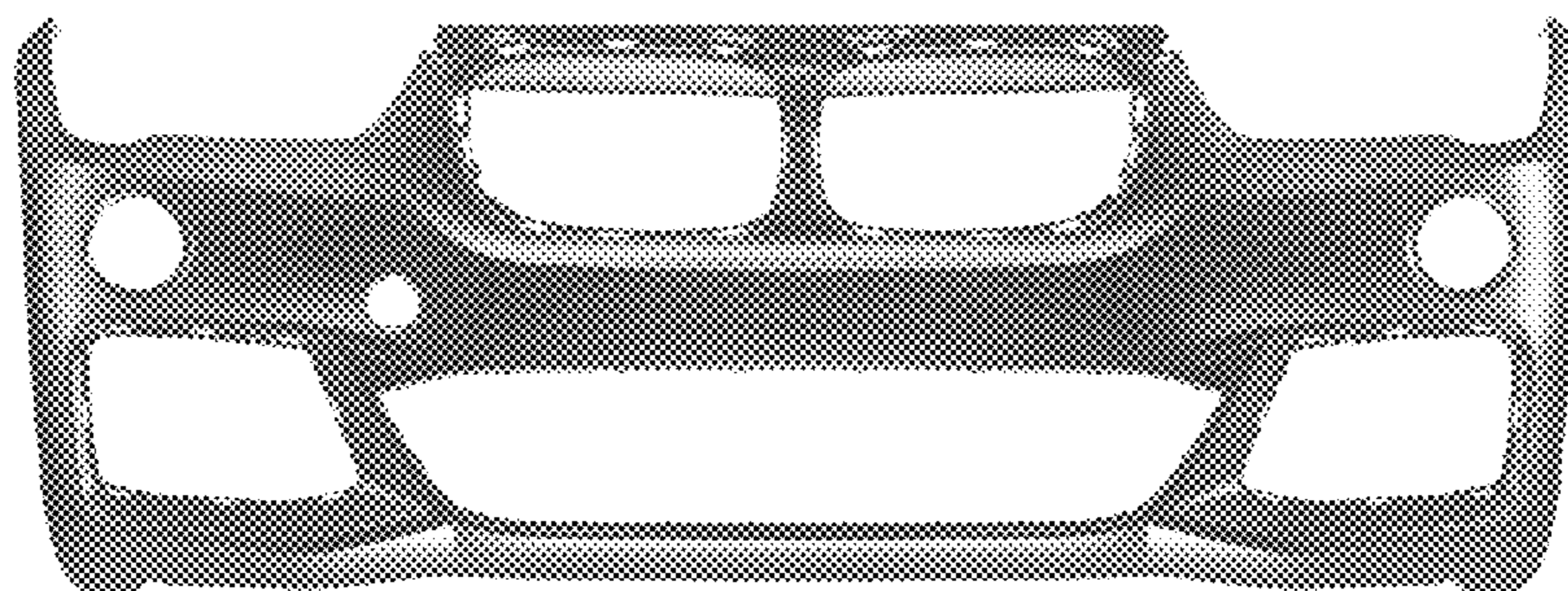
DESCRIPTION

U.S. PATENT DOCUMENTS

D606,465 S * 12/2009 Weil D12/169
D669,402 S * 10/2012 Elmitt D12/169
D670,625 S * 11/2012 Frei et al. D12/169
D675,139 S * 1/2013 Yamamoto et al. D12/169
D678,141 S * 3/2013 Behmer et al. D12/169
D687,356 S * 8/2013 Weil D12/169
D692,811 S * 11/2013 Johnson D12/169

This application contains subject matter related to the following co-pending U.S. design patent applications: Application Ser. No. 29/530,451, filed herewith and entitled "Vehicle, Toy, and/or Replicas Thereof"; and Application Ser. No. 29/530,454, filed herewith and entitled "Front Bumper for a Vehicle".
FIG. 1 is a front view of a front bumper for a vehicle according to the design;
FIG. 2 is a right, front perspective view thereof;
FIG. 3 is a left, front perspective view thereof;
FIG. 4 is a right side view thereof;
FIG. 5 is a left side view thereof;
FIG. 6 is a top view thereof;
FIG. 7 is a bottom view thereof; and,
FIG. 8 is a rear view thereof.

1 Claim, 8 Drawing Sheets



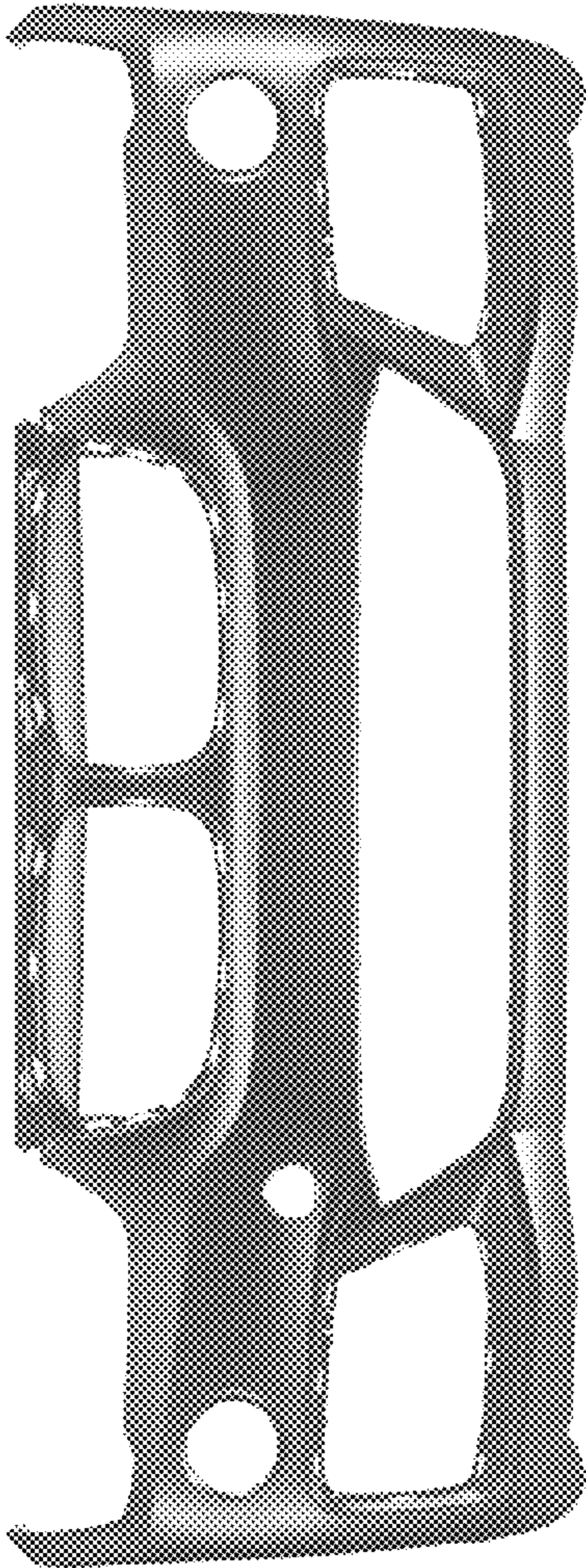


Fig. 1

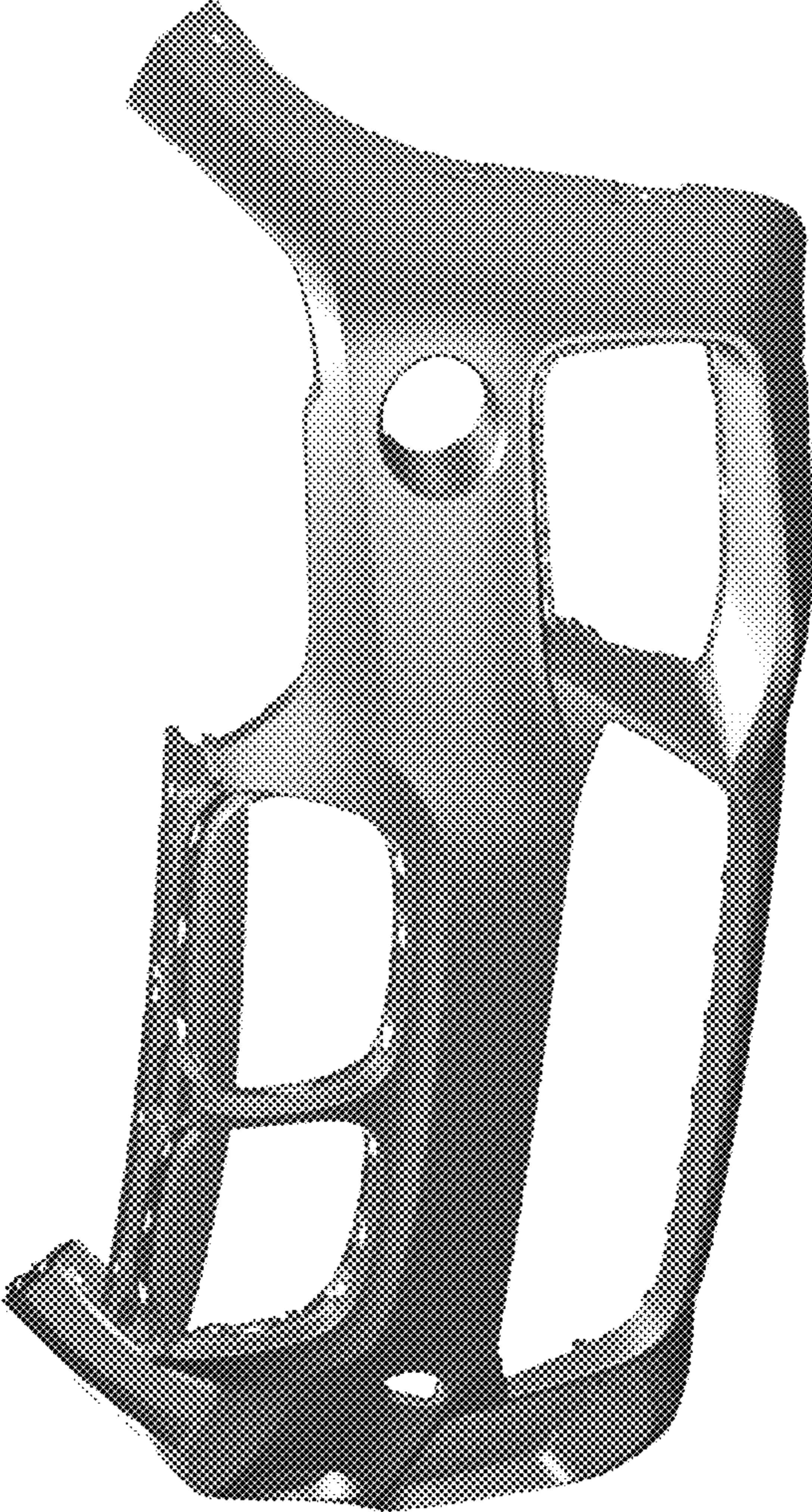


Fig. 2

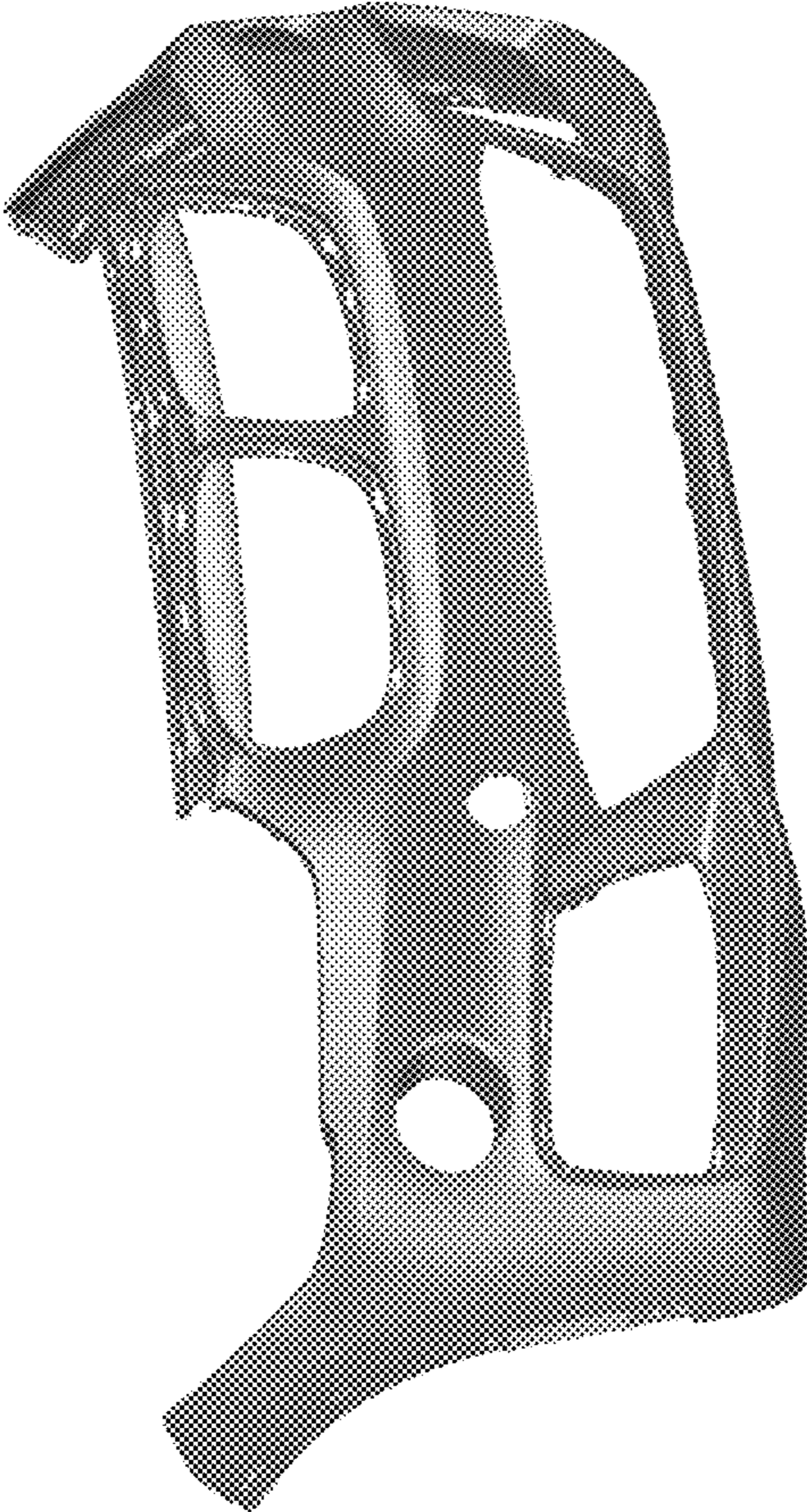


Fig. 3

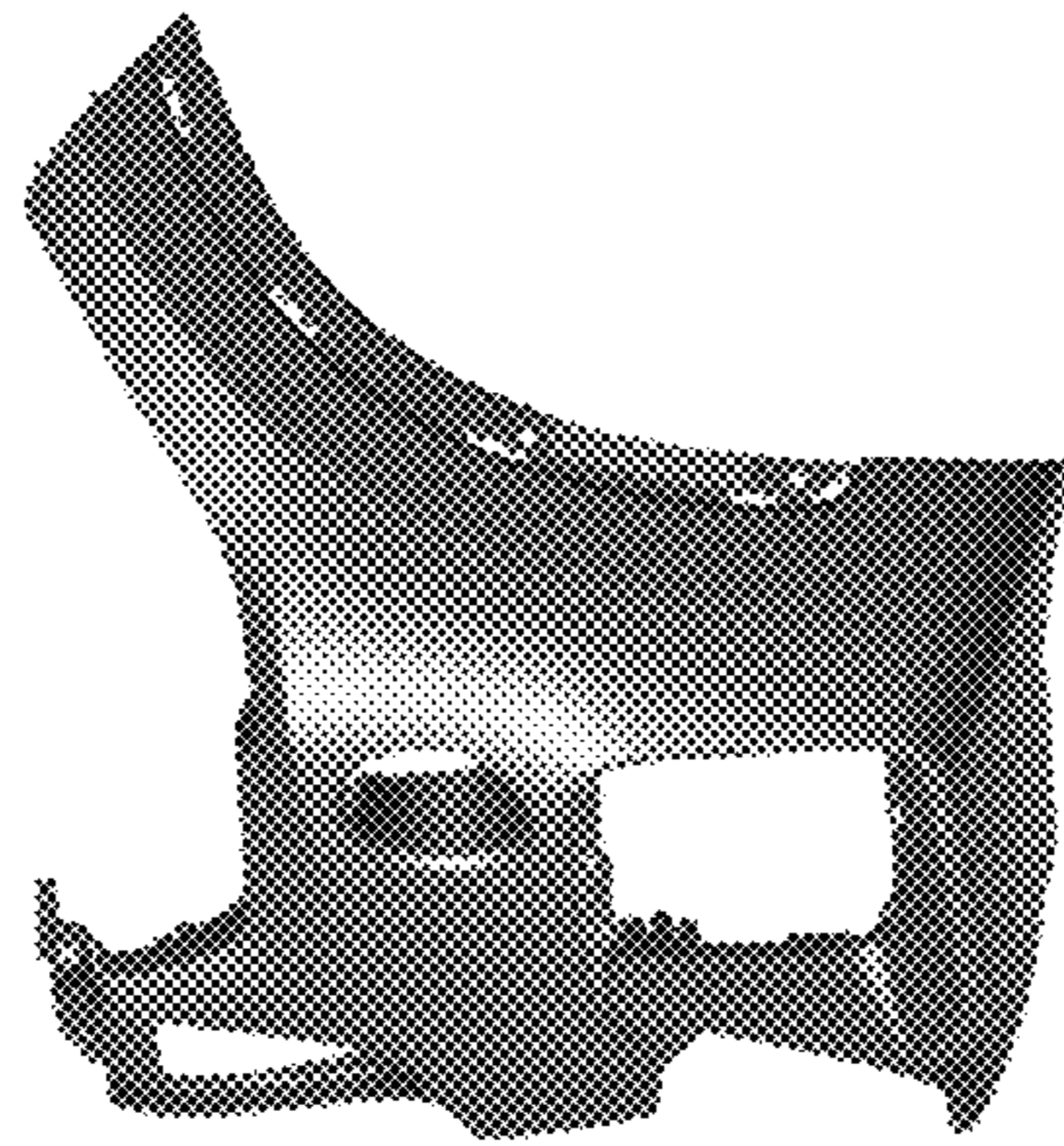


Fig. 4

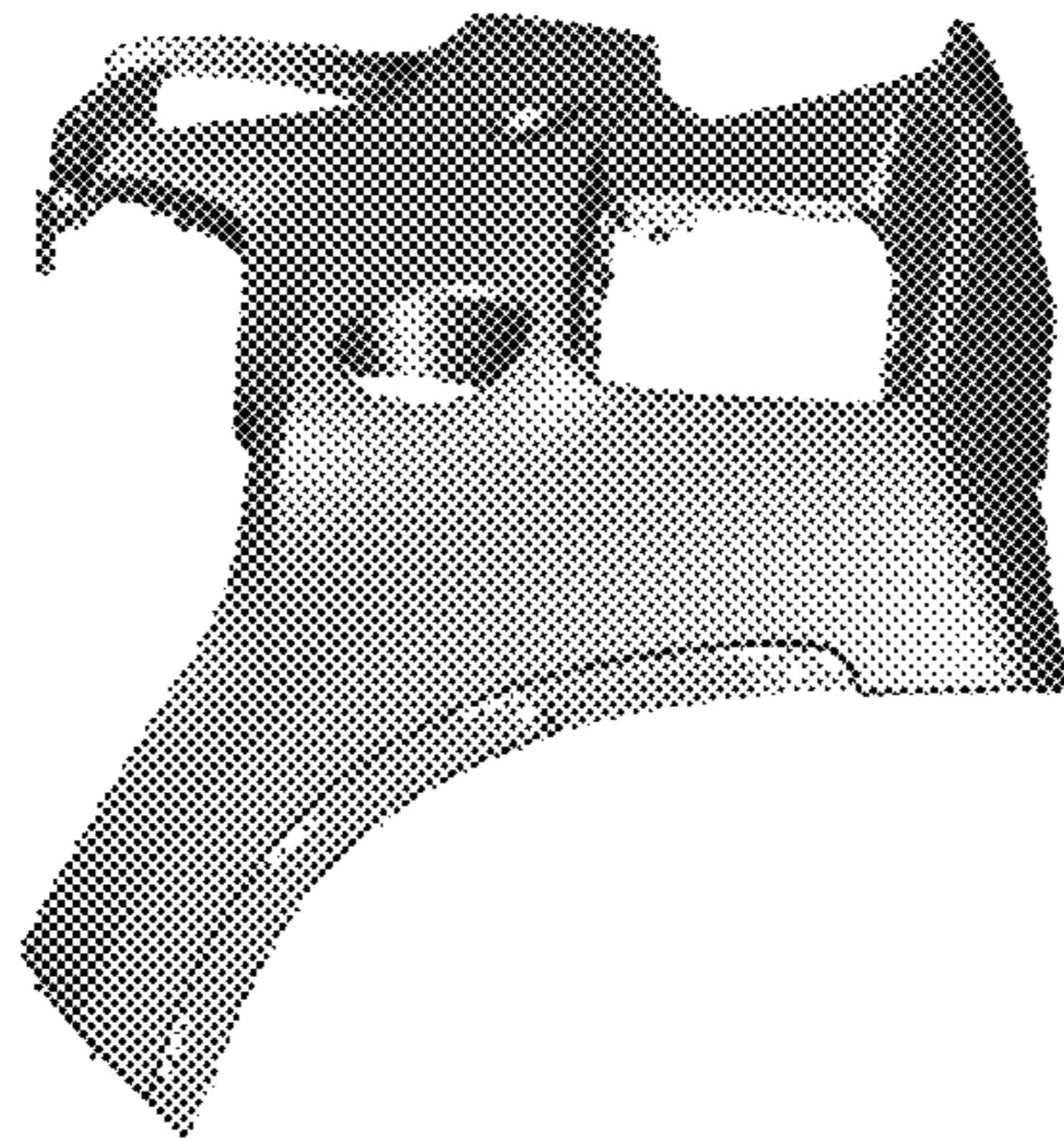


Fig. 5

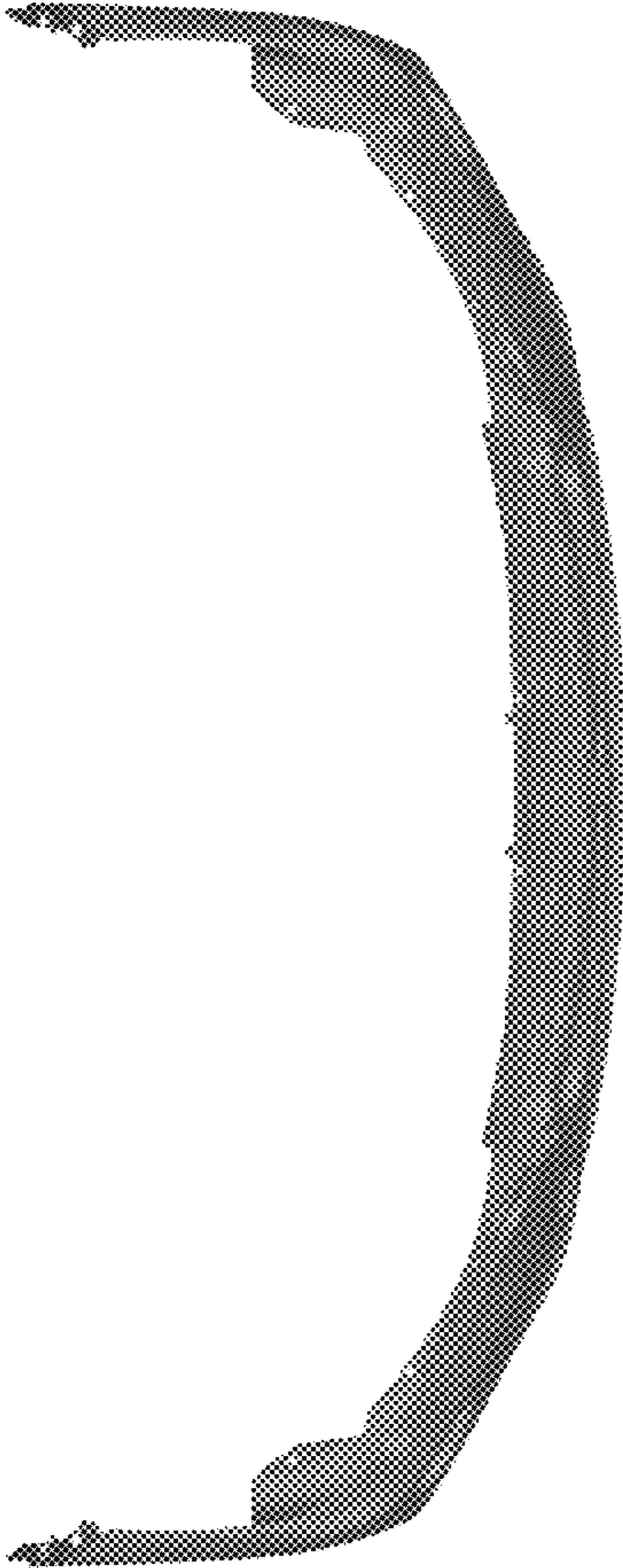


Fig. 6

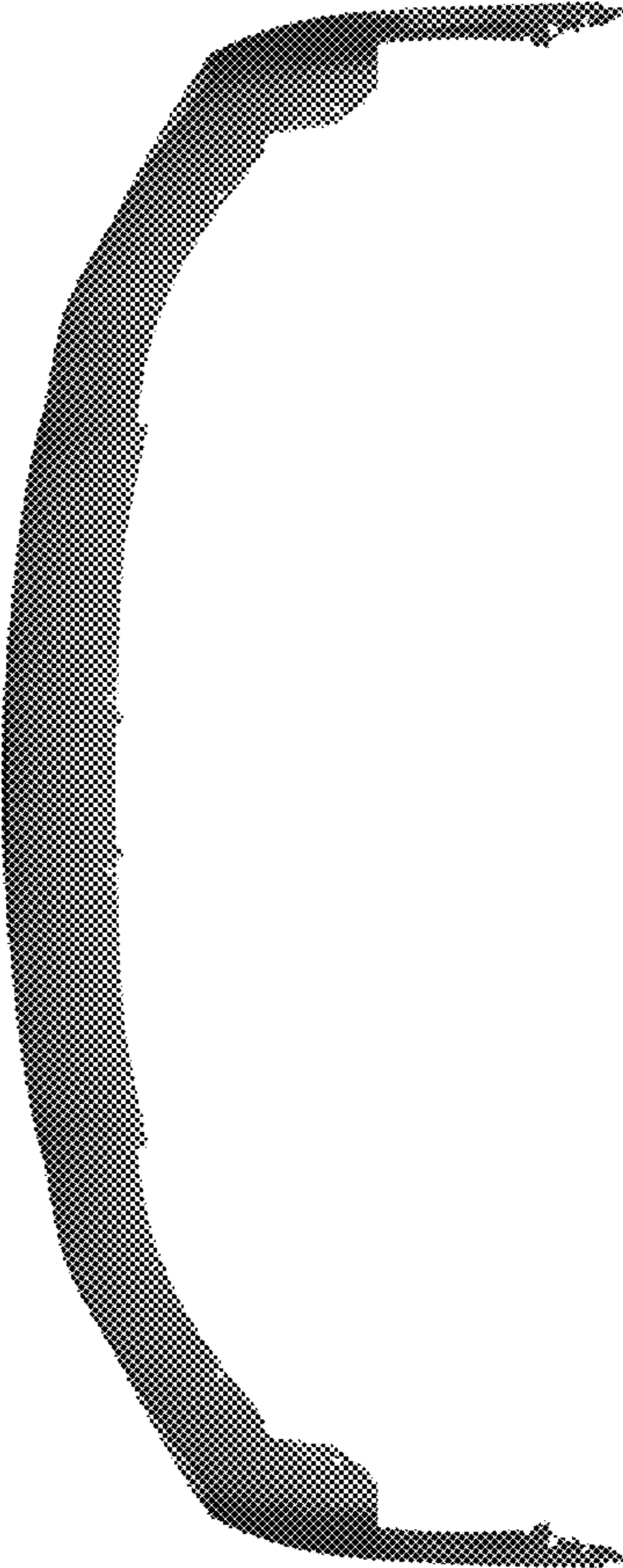


Fig. 7

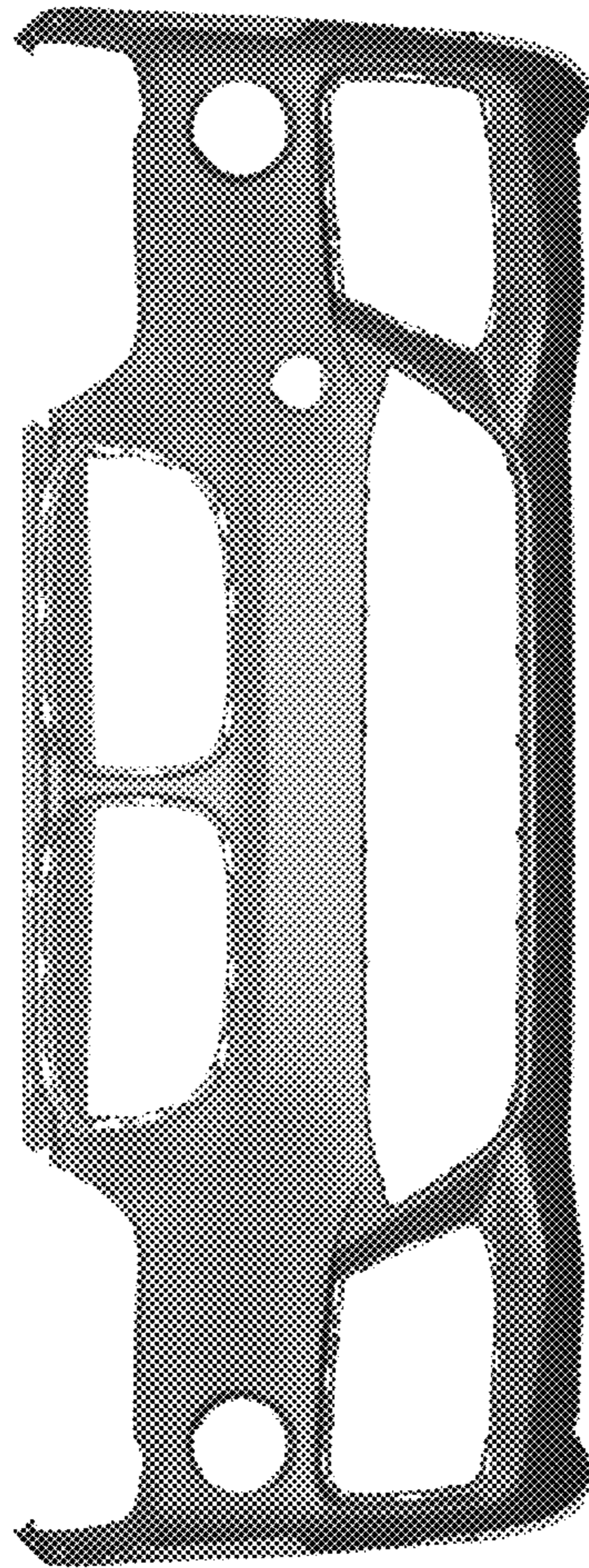


Fig. 8