

US00D772119S

(12) **United States Design Patent** (10) **Patent No.:** **US D772,119 S**
De Bono (45) **Date of Patent:** **** Nov. 22, 2016**

(54) **FRONT BUMPER FOR A VEHICLE**
(71) Applicant: **Bayerische Motoren Werke Aktiengesellschaft, Munich (DE)**

D712,804 S * 9/2014 Scheinhutte D12/169
D717,219 S * 11/2014 Murakawa D12/169
D721,021 S * 1/2015 Hanaoka D12/169
D733,623 S * 7/2015 Robinson D12/169
D748,542 S * 2/2016 Horiuchi D12/169

(72) Inventor: **Michael Theodore De Bono, Munich (DE)**

FOREIGN PATENT DOCUMENTS

(73) Assignee: **Bayerische Motoren Werke Aktiengesellschaft, Munich (DE)**

EM 002401430-0001 2/2014
WO DM/082839 8/2014
WO DM/084038 1/2015

(**) Term: **15 Years**

* cited by examiner

(21) Appl. No.: **29/527,527**

Primary Examiner — Melody N Brown

(22) Filed: **May 20, 2015**

(74) *Attorney, Agent, or Firm* — Crowell & Moring LLP

(30) **Foreign Application Priority Data**

(57) **CLAIM**

The ornamental design for a front bumper for a vehicle, as shown and described.

Nov. 21, 2014 (DE) 40 2014 101 119

DESCRIPTION

(51) **LOC (10) Cl.** **12-16**

(52) **U.S. Cl.**

USPC **D12/169**

(58) **Field of Classification Search**

USPC D12/169, 216, 90-92, 86, 171, 196,
D12/163; 293/102, 113, 115, 117, 120;
296/180.1, 180.2

CPC B60R 19/52; B60R 2019/25; B62D
25/0845

See application file for complete search history.

This application contains subject matter related to the following co-pending U.S. design patent applications:

Application Ser. No. 29/498,812, filed Aug. 8, 2014 and entitled "Front Bumper for a Vehicle";

Application Ser. No. 29/527,514, filed herewith and entitled "Vehicle, Toy, and/or Replicas Thereof";

Application Ser. No. 29/527,524, filed herewith and entitled "Vehicle, Toy, and/or Replicas Thereof"; and

Application Ser. No. 29/527,516, filed herewith and entitled "Front Bumper for a Vehicle".

FIG. 1 is a front view of a front bumper for a vehicle according to the design;

FIG. 2 is a front and right side perspective view thereof;

FIG. 3 is a front and left side perspective view thereof;

FIG. 4 is a right side view thereof;

FIG. 5 is a left side view thereof;

FIG. 6 is a top view thereof;

FIG. 7 is a bottom view thereof; and,

FIG. 8 is a rear view thereof.

(56) **References Cited**

U.S. PATENT DOCUMENTS

D682,754 S * 5/2013 Robinson D12/169
D684,099 S * 6/2013 McCabe D12/169
D695,163 S * 12/2013 Scheinhutte D12/169
D700,114 S * 2/2014 Wada D12/169
D703,117 S * 4/2014 Osborne D12/169
D704,604 S * 5/2014 Okumoto D12/169
D708,997 S * 7/2014 Koizumi D12/169
D712,803 S * 9/2014 Scheinhutte D12/169

1 Claim, 8 Drawing Sheets

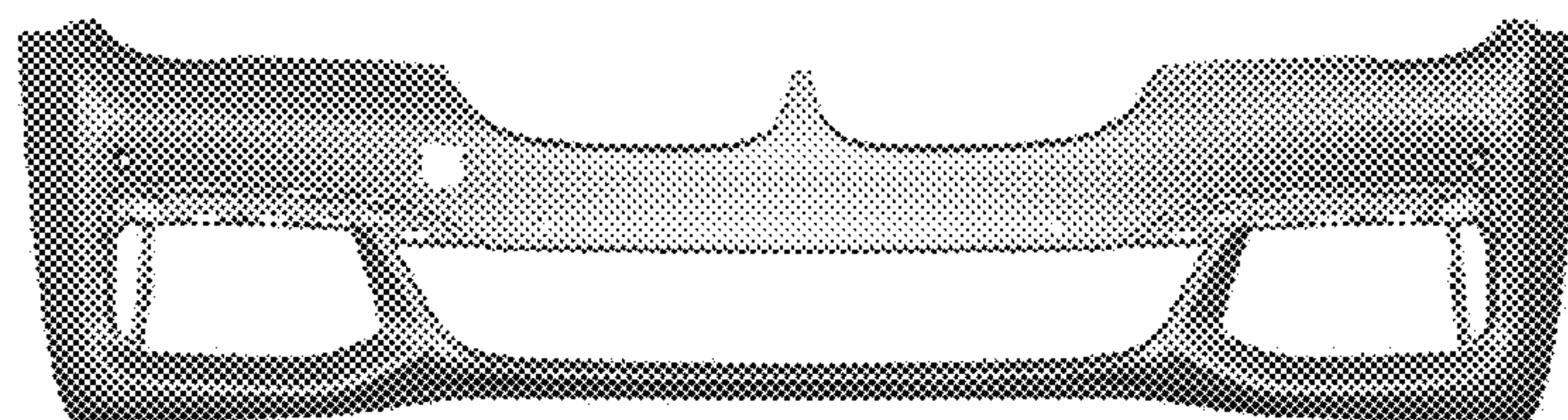




Fig. 1



Fig. 2



Fig. 3

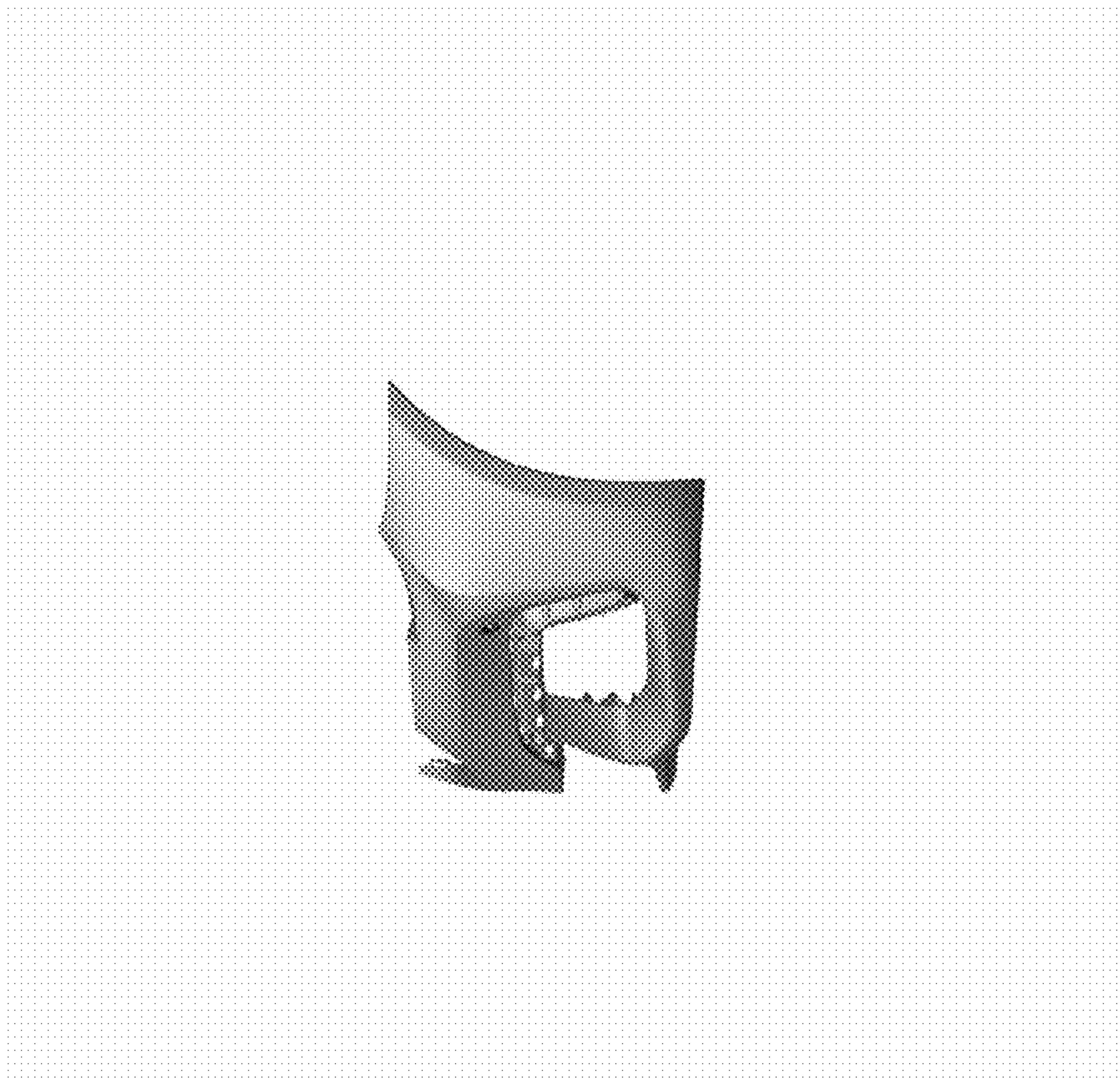


Fig. 4



Fig. 5



Fig. 6

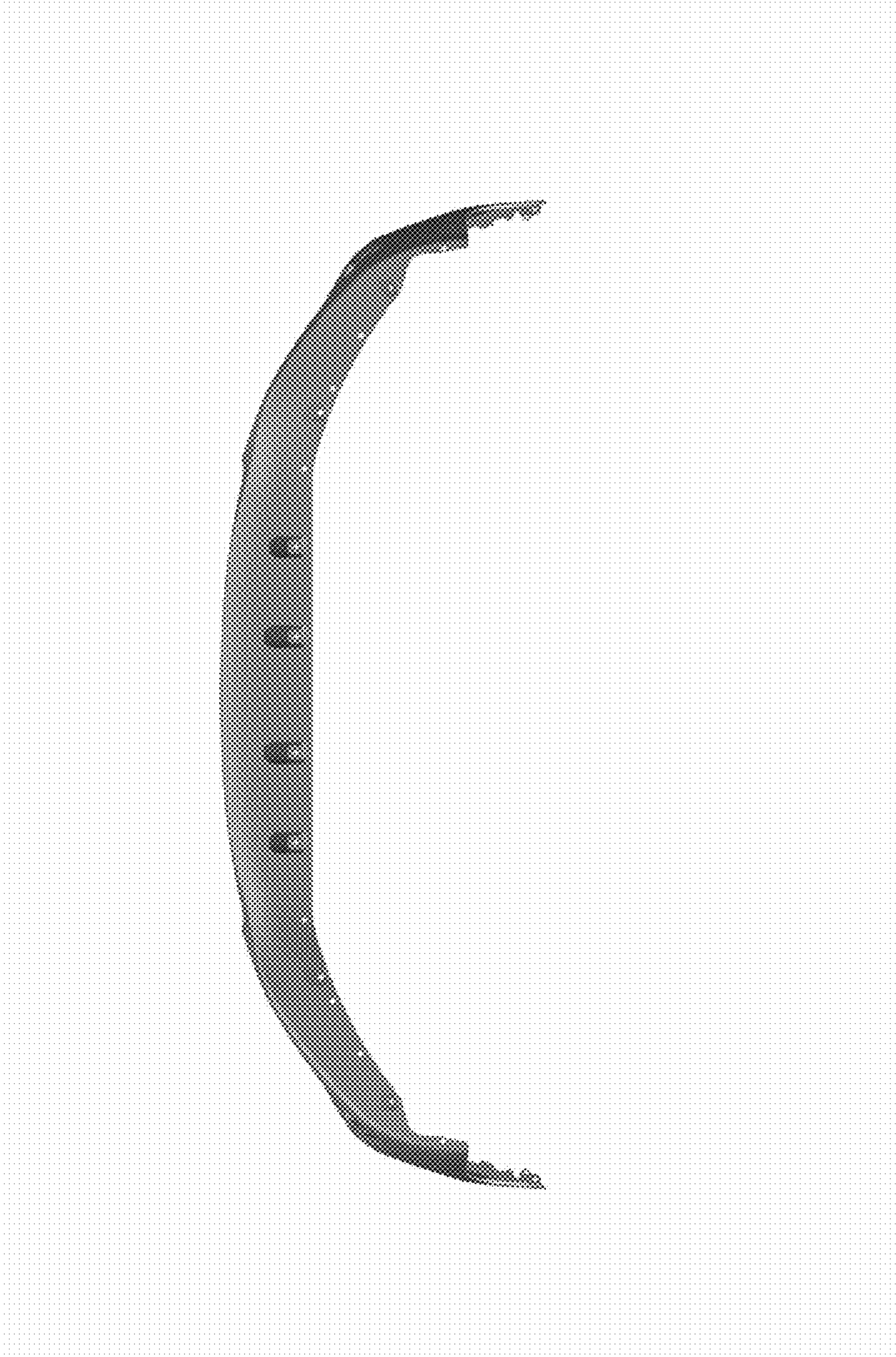


Fig. 7

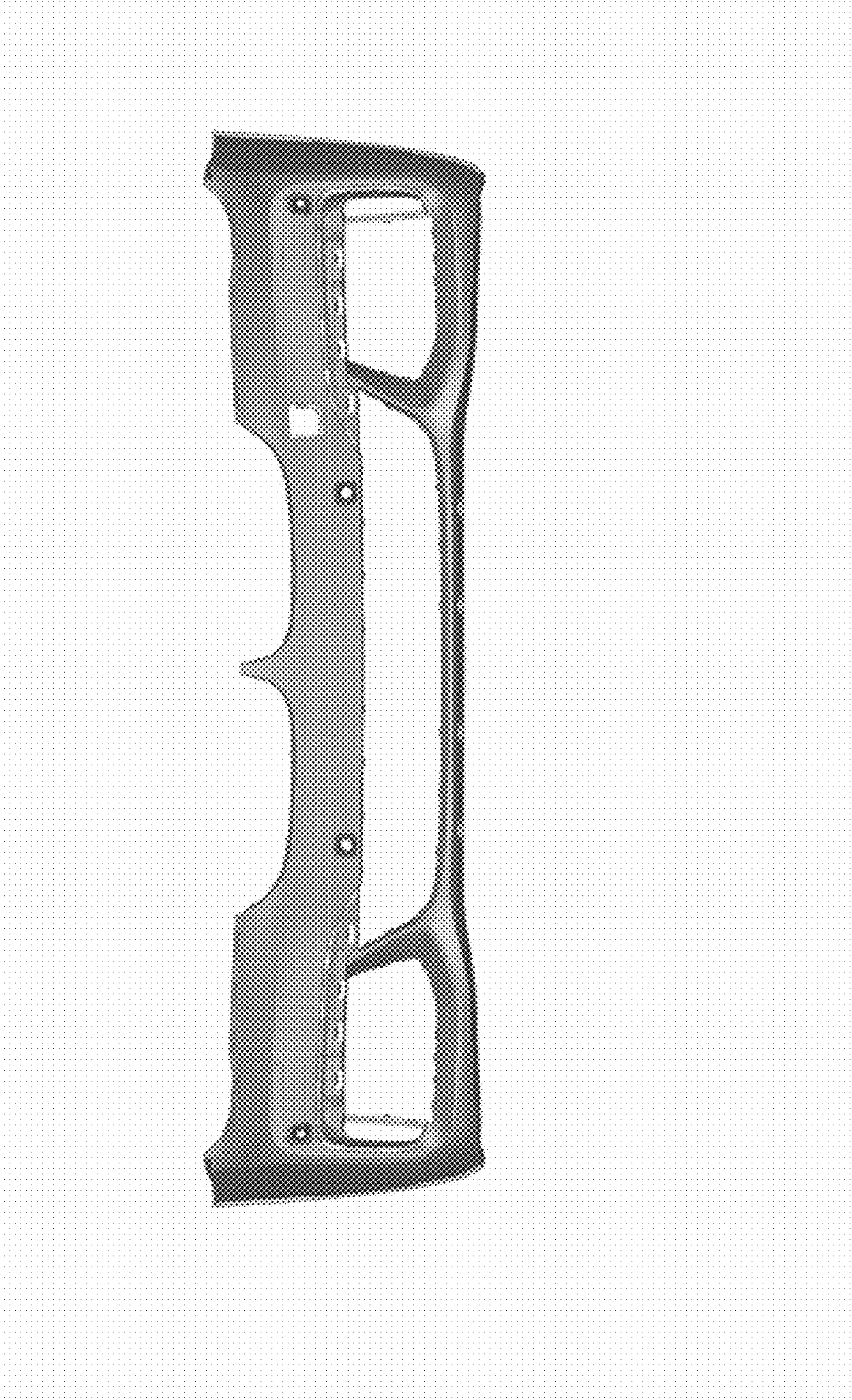


Fig. 8