

US00D772117S

(12) **United States Design Patent** (10) **Patent No.:** **US D772,117 S**
Davidson et al. (45) **Date of Patent:** **** Nov. 22, 2016**

(54) **FRONT BUMPER**

(71) Applicants: **Benjamin R. Davidson**, Torrance, CA (US); **Keith Pastor**, Torrance, CA (US)

(72) Inventors: **Benjamin R. Davidson**, Torrance, CA (US); **Keith Pastor**, Torrance, CA (US)

(73) Assignee: **HONDA MOTOR CO., LTD.**, Tokyo (JP)

(**) Term: **14 Years**

(21) Appl. No.: **29/516,698**

(22) Filed: **Feb. 5, 2015**

(51) **LOC (10) Cl.** **12-16**

(52) **U.S. Cl.**
USPC **D12/169**

(58) **Field of Classification Search**
USPC D12/169, 216, 90-92, 86, 171, 196, 120;
D12/163; 293/102, 113, 115, 117, 120;
296/180.1, 180.2
CPC B60R 19/52; B60R 2019/25; B62D
25/0845
See application file for complete search history.

(56) **References Cited**

U.S. PATENT DOCUMENTS

D651,540 S 1/2012 Okumoto et al.
D717,219 S * 11/2014 Murakawa D12/169
D721,021 S * 1/2015 Hanaoka D12/169
D733,624 S * 7/2015 Morikawa D12/169

D738,270 S * 9/2015 Blanski D12/169
D743,854 S * 11/2015 Miyazawa D12/169
D743,855 S * 11/2015 Miyazawa D12/169
D750,000 S * 2/2016 Han D12/169
D760,631 S * 7/2016 Choi D12/169

FOREIGN PATENT DOCUMENTS

JP D1432511 1/2012
JP D1461045 2/2013
JP D1484964 11/2013
TW D148837 8/2012
TW D151455 1/2013

OTHER PUBLICATIONS

English translation of Taiwan IPO Search Report; Taiwan Design Patent Application No. 104304162; Dated Jan. 20, 2016.

* cited by examiner

Primary Examiner — Melody N Brown

(74) *Attorney, Agent, or Firm* — Pearne & Gordon LLP

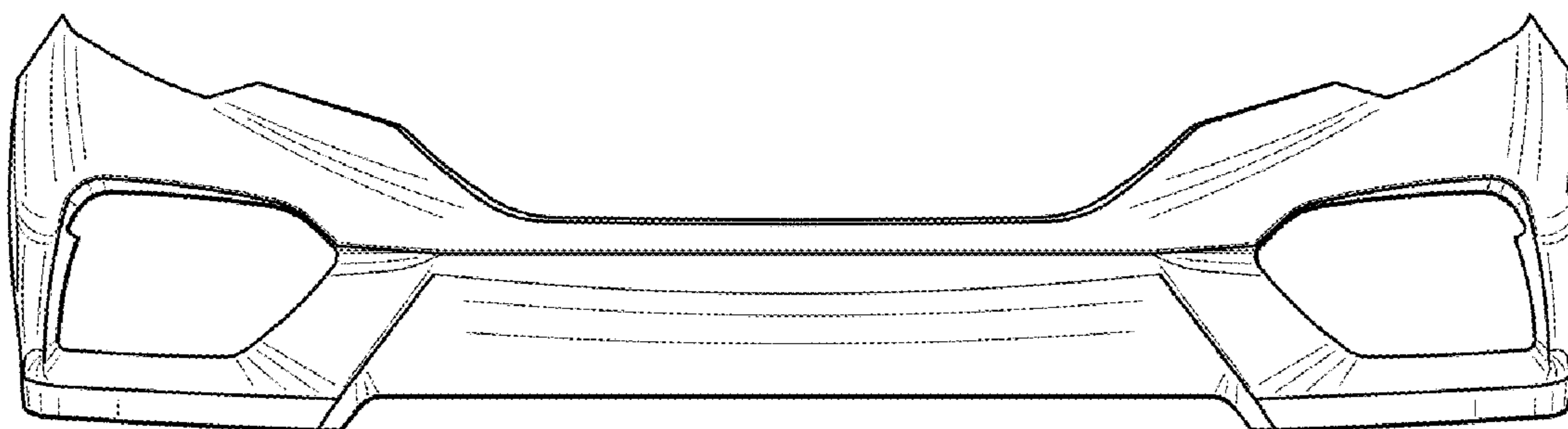
(57) **CLAIM**

The ornamental design for a front bumper, as shown and described.

DESCRIPTION

FIG. 1 is a perspective view of a front bumper showing our new design;
FIG. 2 is a front view thereof;
FIG. 3 is the right side view thereof, a left side view being a mirror image thereof; and,
FIG. 4 is a top view thereof.

1 Claim, 1 Drawing Sheet



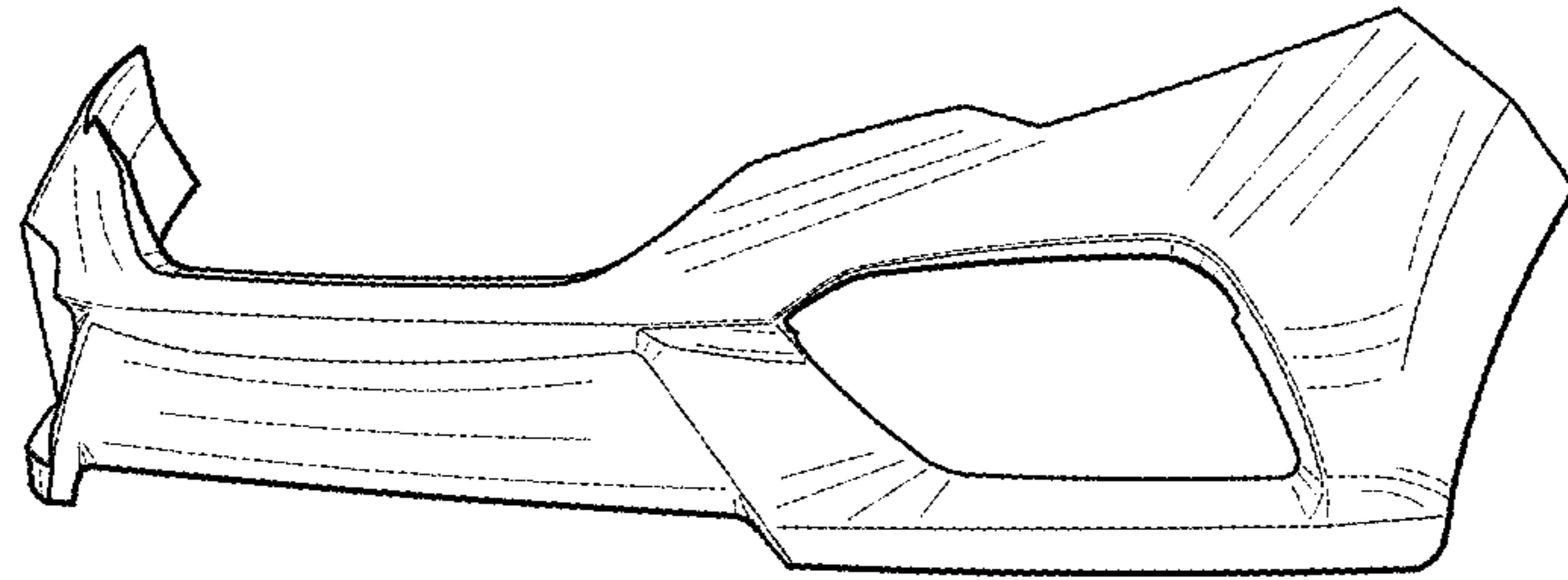


FIG. 1

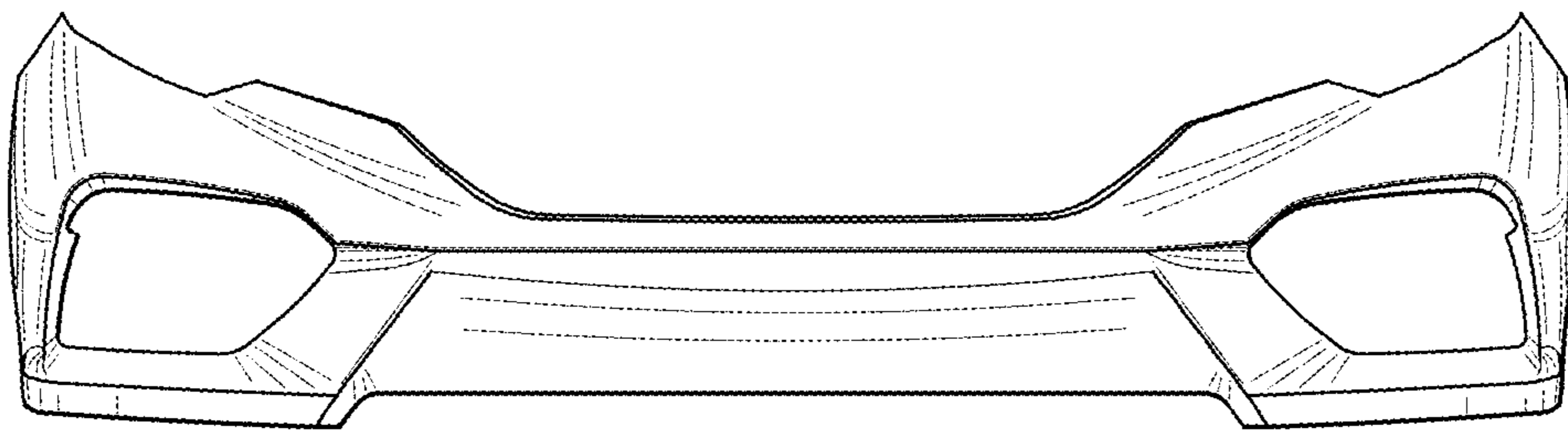


FIG. 2

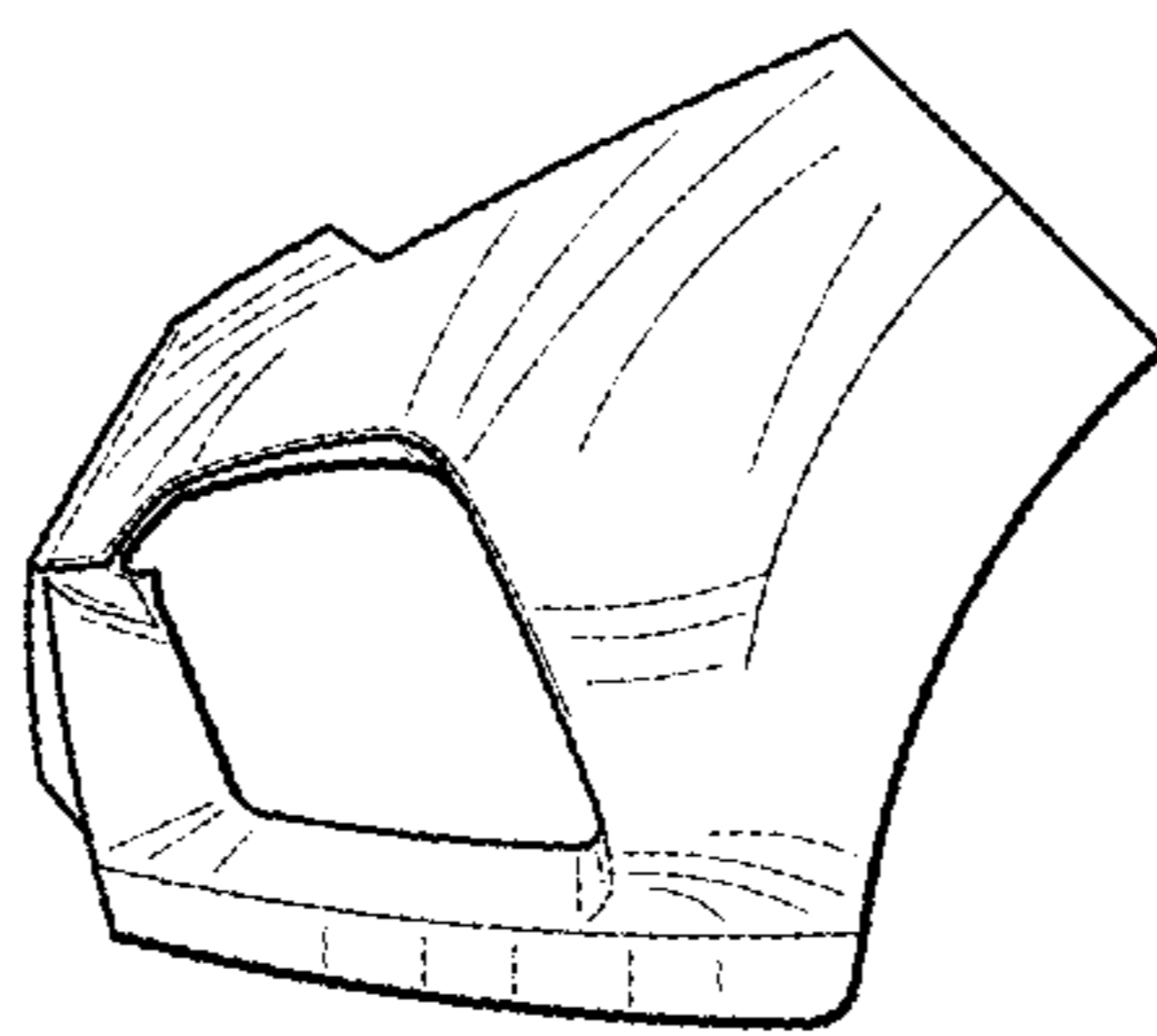


FIG. 3

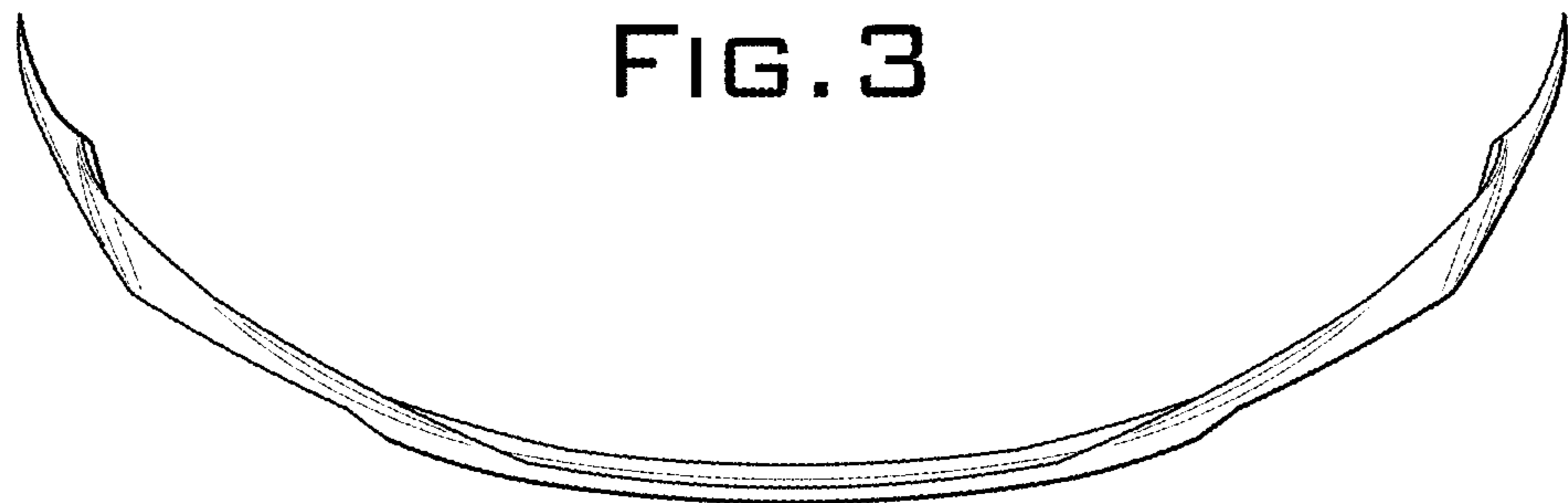


FIG. 4