



US00D772111S

(12) **United States Design Patent**  
**Jane Santamaria**

(10) **Patent No.:** **US D772,111 S**  
(45) **Date of Patent:** **\*\* Nov. 22, 2016**

- (54) **CHASSIS FOR AN INFANT CHAIR**
- (71) Applicant: **JANE, S.A.**, Palau Solita I Plegamans  
(Barcelona) (ES)
- (72) Inventor: **Manuel Jane Santamaria**, Palau Solita  
I Plegamans (ES)
- (73) Assignee: **JANE, S.A.**, Barcelona (ES)
- (\*\*) Term: **14 Years**
- (21) Appl. No.: **29/496,703**
- (22) Filed: **Jul. 16, 2014**

(30) **Foreign Application Priority Data**

Jan. 16, 2014 (EM) ..... 001399331

- (51) **LOC (10) Cl.** ..... **12-12**
- (52) **U.S. Cl.**  
USPC ..... **D12/129**
- (58) **Field of Classification Search**  
USPC ..... D12/128-129, 130  
CPC ..... B62B 7/00-7/04; B62B 9/00-9/28  
See application file for complete search history.

(56) **References Cited**

**U.S. PATENT DOCUMENTS**

- D375,707 S \* 11/1996 Yang ..... D12/129
- D519,422 S \* 4/2006 Huang ..... D12/129
- 7,267,359 B1 \* 9/2007 Yang ..... B62B 7/08  
280/47.34

- 7,364,171 B2 \* 4/2008 Hu ..... B60B 1/006  
280/47.38
- D578,044 S \* 10/2008 Chen ..... D12/129
- D596,996 S \* 7/2009 Yang ..... D12/129
- D621,306 S \* 8/2010 Liao ..... D12/129
- D643,343 S \* 8/2011 Song ..... D12/129
- D661,624 S \* 6/2012 Stopp ..... D12/129
- D672,692 S \* 12/2012 Jane Santamaria ..... D12/129
- D677,605 S \* 3/2013 Ide ..... D12/129

\* cited by examiner

*Primary Examiner* — Charles Hanson

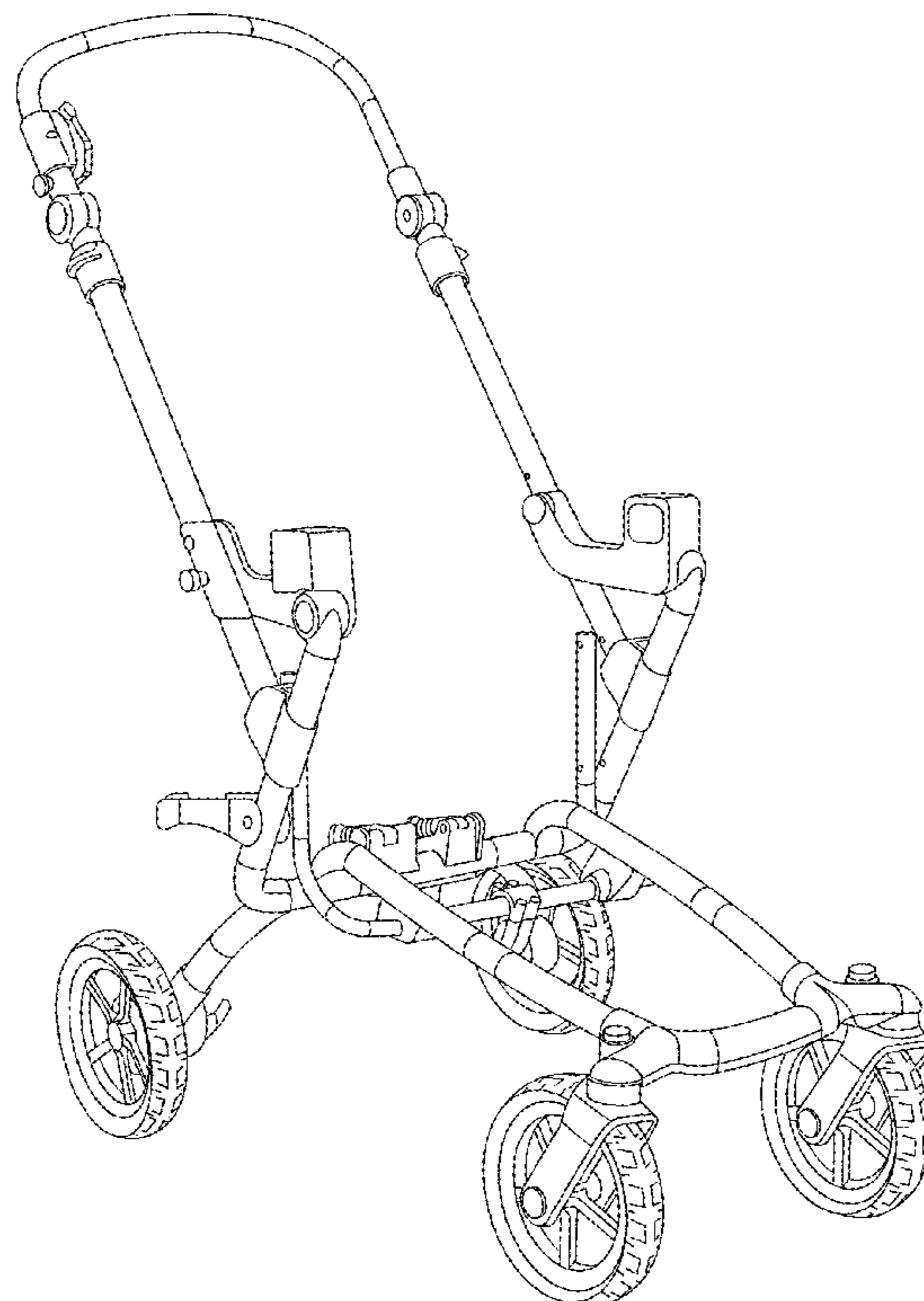
(57) **CLAIM**

The ornamental design for chassis for an infant chair, as shown and described.

**DESCRIPTION**

FIG. 1 is a front perspective view of the chassis for an infant chair showing the new design;  
 FIG. 2 is a right side view of the chassis of the infant chair of FIG. 1;  
 FIG. 3 is a left side view of the chassis of the infant chair of FIG. 1;  
 FIG. 4 is a front view of the chassis of the infant chair of FIG. 1;  
 FIG. 5 is a rear view of the chassis of the infant chair of FIG. 1;  
 FIG. 6 is a top view of the chassis of the infant chair of FIG. 1; and,  
 FIG. 7 is a bottom view of the chassis of the infant chair of FIG. 1.

**1 Claim, 7 Drawing Sheets**



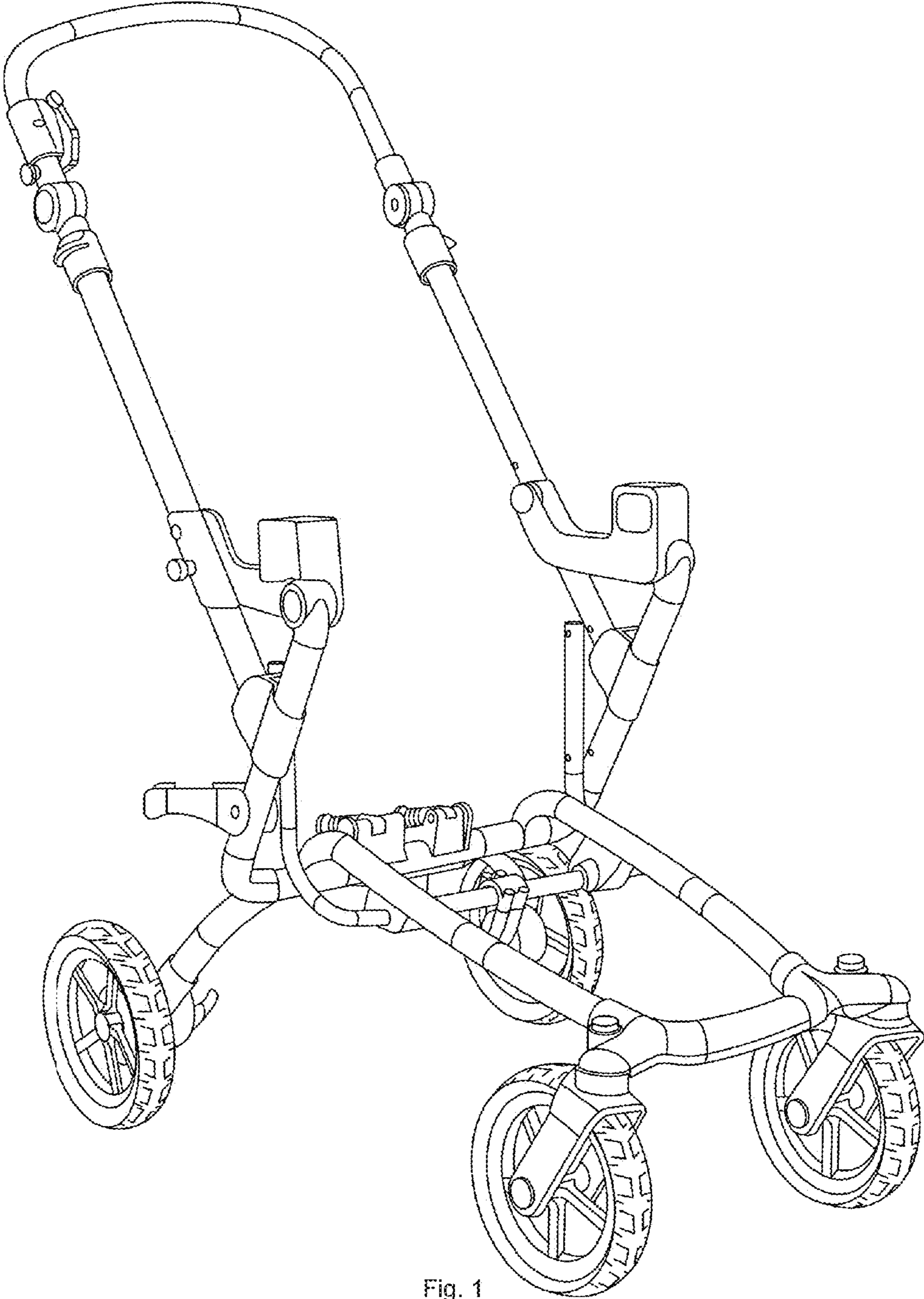


Fig. 1

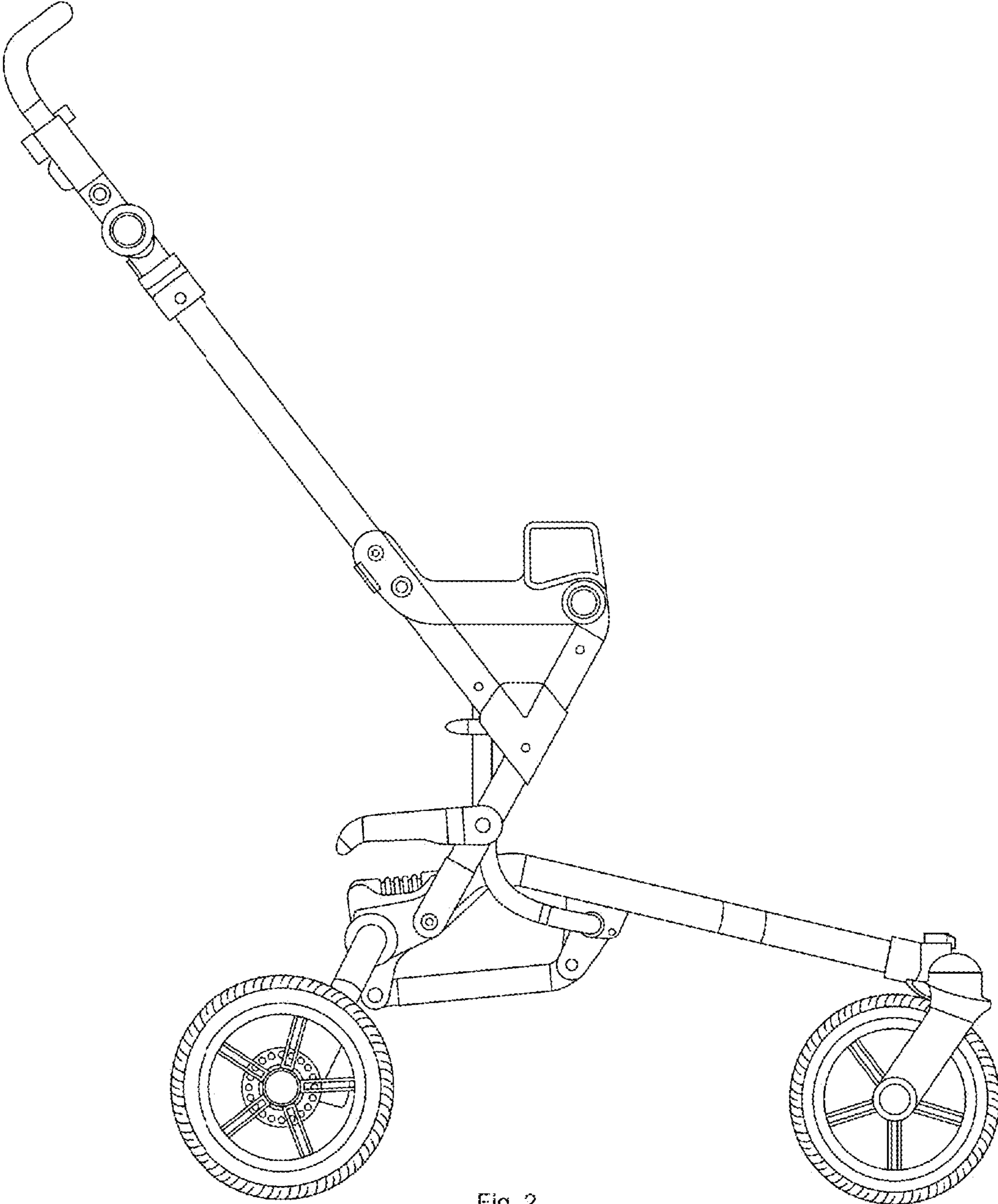


Fig. 2

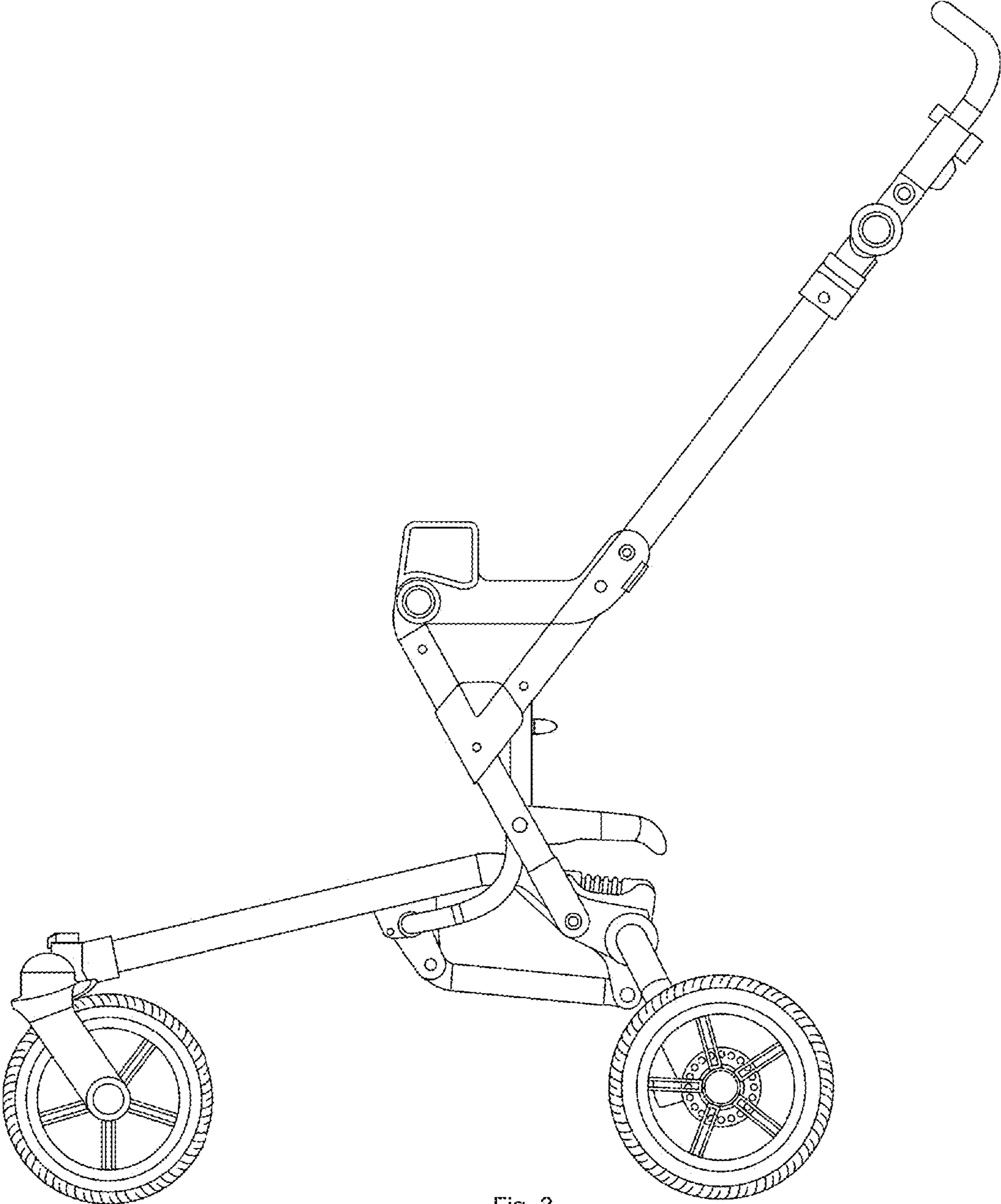


Fig. 3



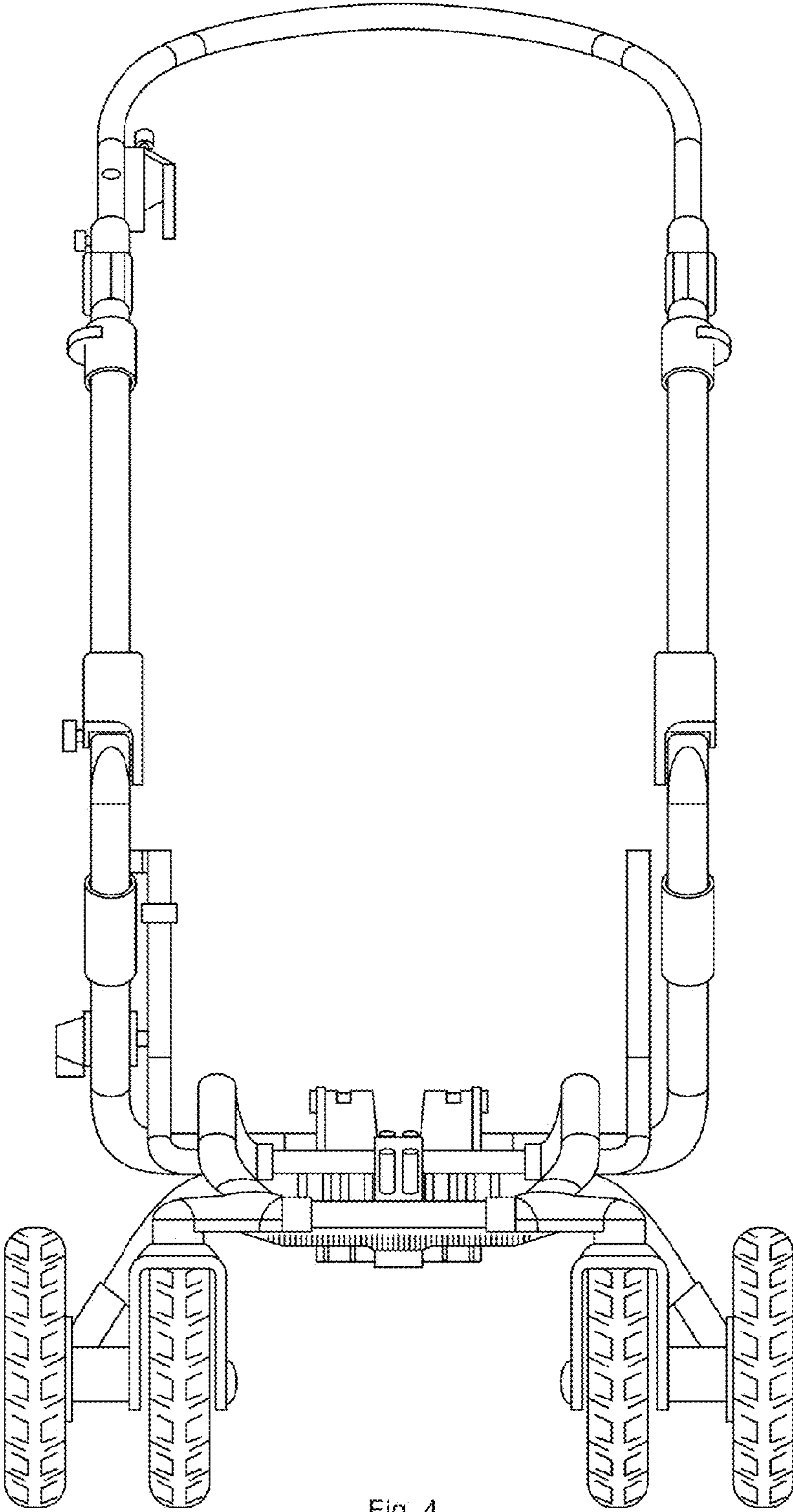


Fig. 4

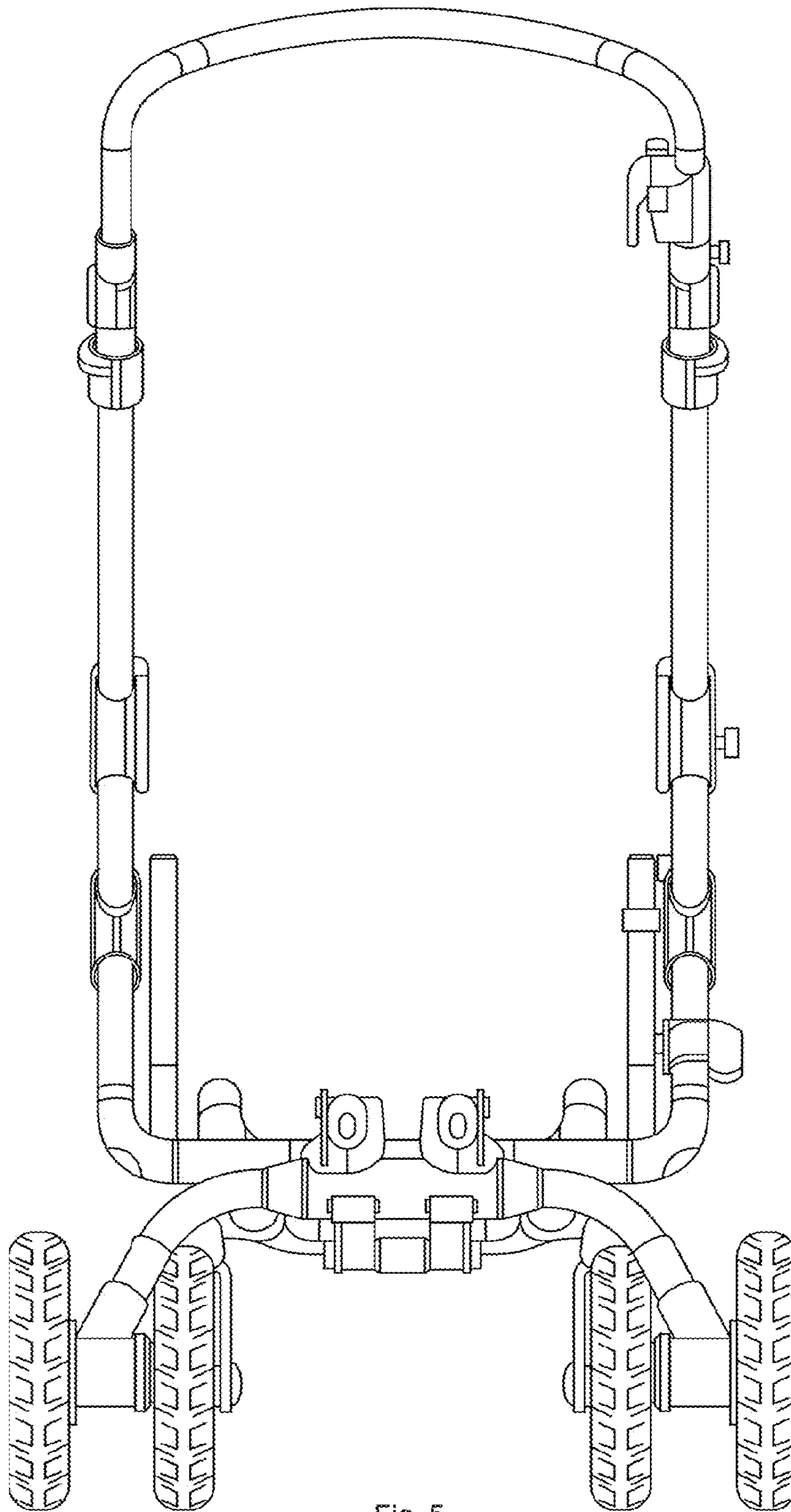


Fig. 5

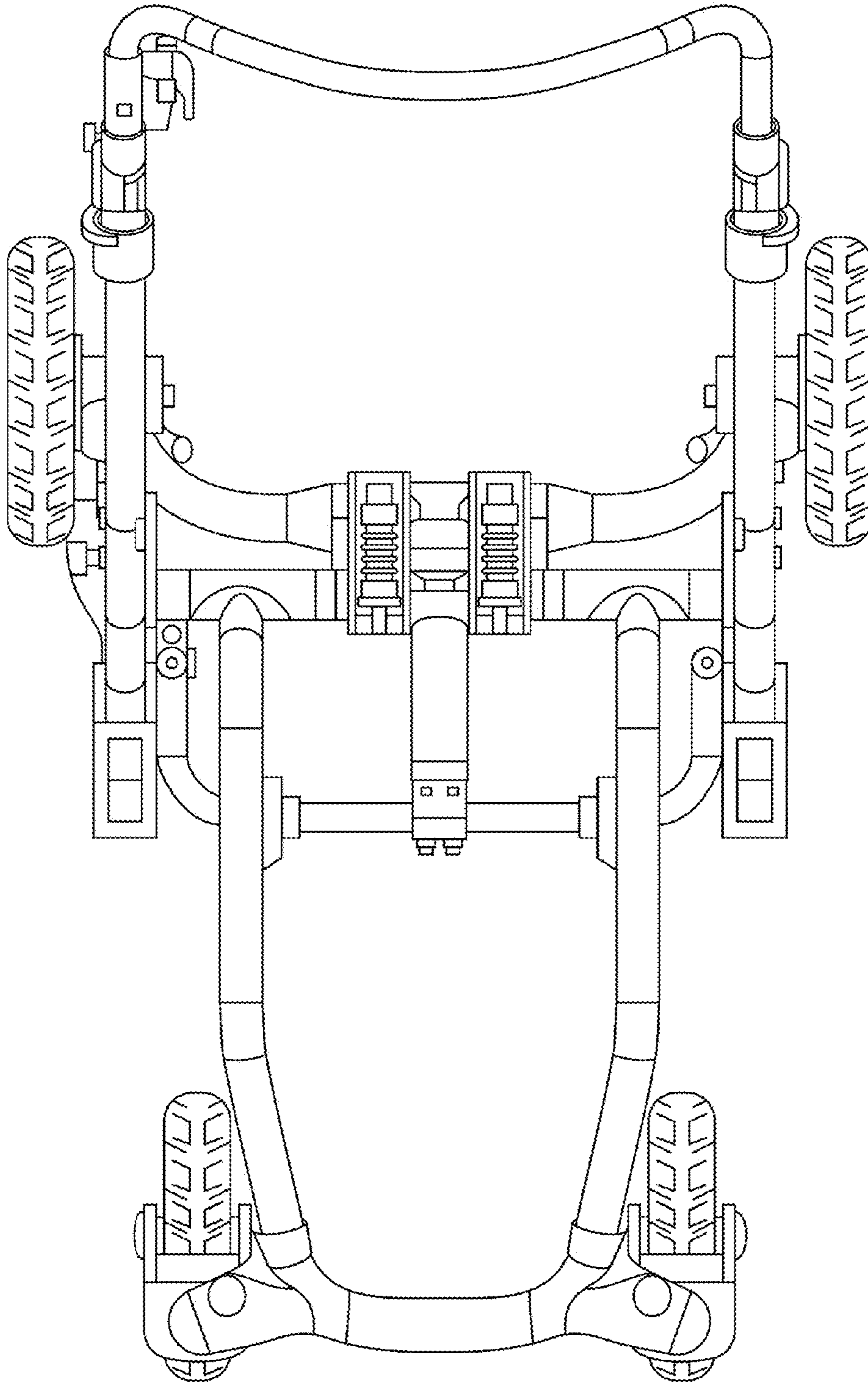


Fig. 6



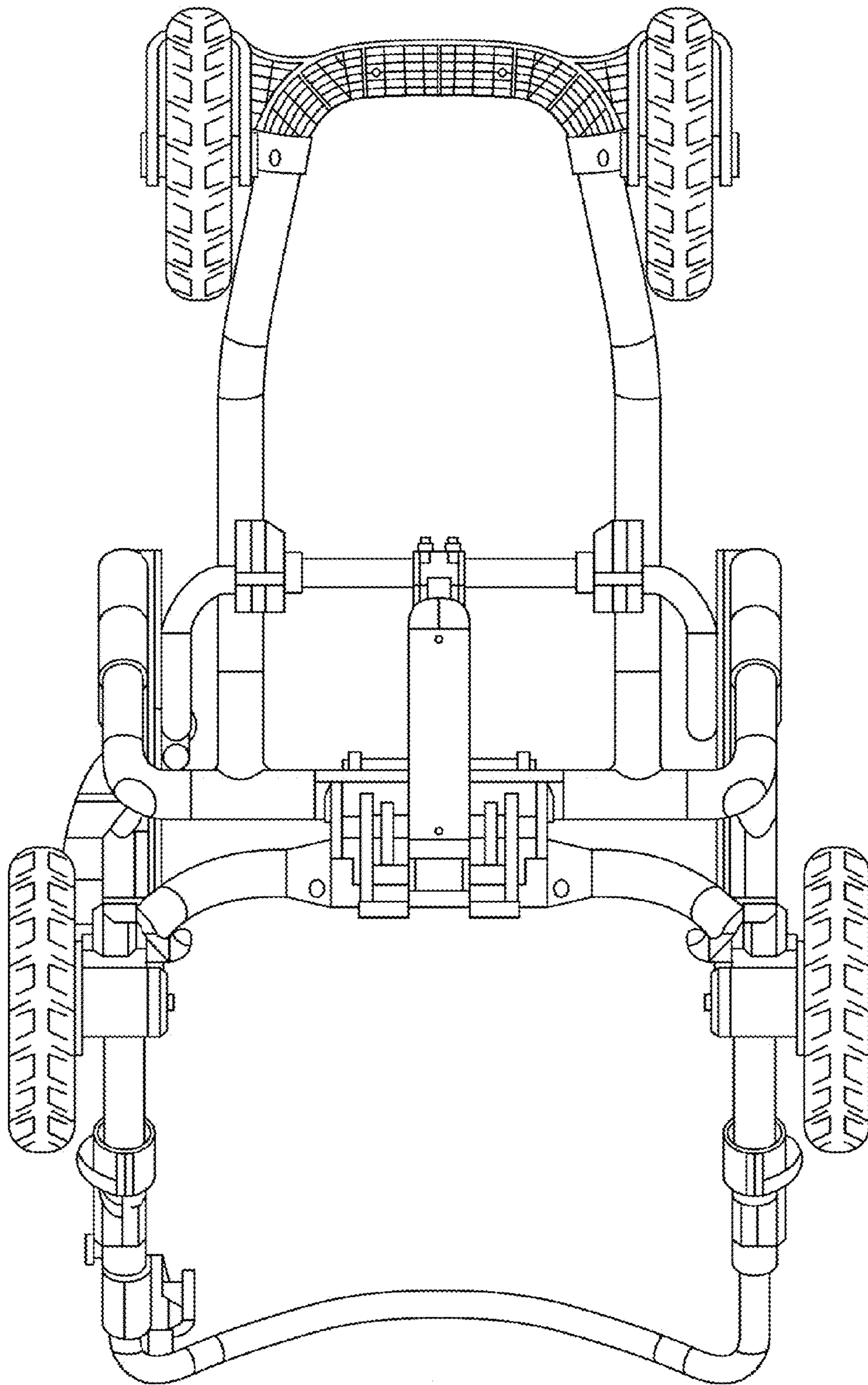


Fig. 7