



US00D772101S

(12) **United States Design Patent** (10) **Patent No.:** **US D772,101 S**  
**Mullis, Jr.** (45) **Date of Patent:** **\*\* Nov. 22, 2016**

(54) **HANGING PLANTER**  
(71) Applicant: **Rudolph C. Mullis, Jr.**, Siler City, NC (US)  
(72) Inventor: **Rudolph C. Mullis, Jr.**, Siler City, NC (US)  
(\*\*) Term: **15 Years**  
(21) Appl. No.: **29/547,739**  
(22) Filed: **Dec. 7, 2015**  
(51) **LOC (10) Cl.** ..... **11-02**  
(52) **U.S. Cl.**  
USPC ..... **D11/143**  
(58) **Field of Classification Search**  
USPC ..... D6/403–405, 556–558; D11/143–156, D11/164; D7/509, 523, 532  
CPC ..... A01G 9/02; A01G 9/021; A01G 9/023; A01G 9/024; A01G 9/04  
See application file for complete search history.

5,887,542 A \* 3/1999 Sladowski ..... A01K 39/0106  
119/51.03  
D436,383 S \* 1/2001 Chesler ..... D21/404  
6,922,943 B1 \* 8/2005 Paille ..... A01G 9/12  
47/44  
D550,071 S \* 9/2007 Powell ..... D8/387  
7,624,534 B1 \* 12/2009 Maeder ..... A01G 9/128  
248/157  
7,918,051 B2 \* 4/2011 Early ..... A01G 9/026  
211/118  
D637,891 S \* 5/2011 Chikiri ..... D8/356  
D649,709 S \* 11/2011 Loman ..... D27/183  
D657,159 S \* 4/2012 Rosaen ..... D6/403  
8,250,810 B2 \* 8/2012 Van Zijl ..... A01G 9/12  
47/44  
D698,097 S \* 1/2014 Muhr ..... D30/124  
D703,369 S \* 4/2014 Jones ..... D26/114

\* cited by examiner

*Primary Examiner* — Elizabeth Albert  
(74) *Attorney, Agent, or Firm* — Dunlap Bennett & Ludwig PLLC

(57) **CLAIM**  
The ornamental design for a hanging planter, as shown and described.

(56) **References Cited**

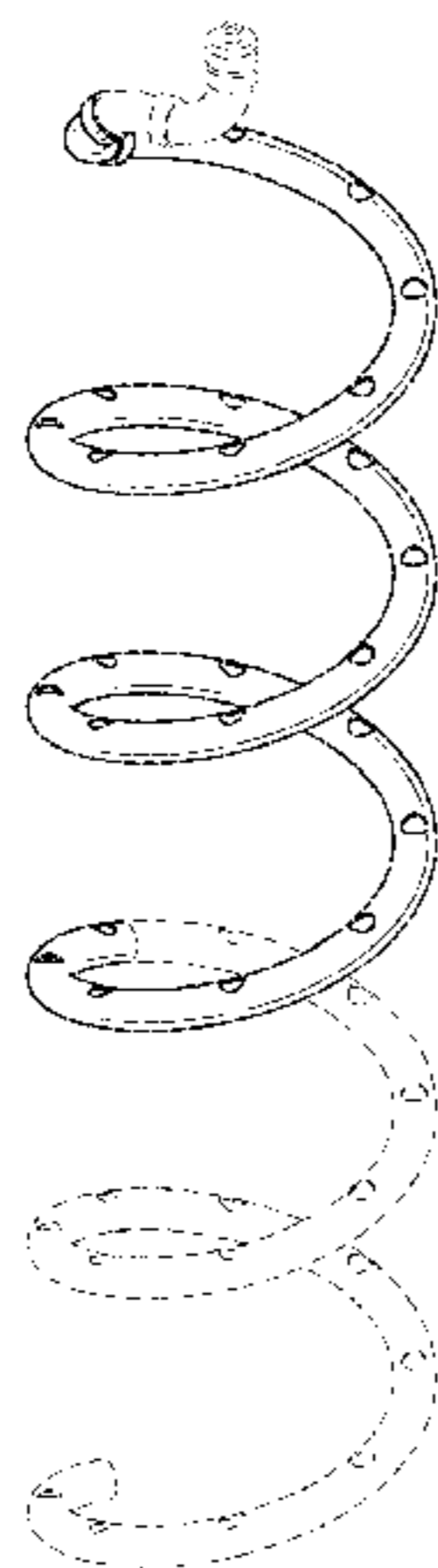
U.S. PATENT DOCUMENTS

664,837 A \* 1/1901 Davis, Jr. .... A01G 13/0243  
160/252  
2,000,911 A \* 5/1935 Balousek ..... A01G 9/12  
40/645  
2,083,526 A \* 6/1937 Rinker ..... A01G 9/122  
47/47  
2,520,818 A \* 8/1950 Terry ..... A45F 3/44  
248/153  
2,718,873 A \* 9/1955 Buckner ..... A63H 33/00  
119/711  
2,808,807 A \* 10/1957 Winton ..... A01K 31/12  
119/468  
D267,504 S \* 1/1983 Hamlin ..... D22/147  
D291,417 S \* 8/1987 Morgan ..... D10/46.1  
4,860,489 A \* 8/1989 Bork ..... A01G 9/12  
47/45  
D330,834 S \* 11/1992 Hooper ..... D8/1  
5,174,060 A \* 12/1992 Glamos ..... A01G 9/12  
47/45  
5,207,758 A \* 5/1993 Royalty ..... A01G 5/04  
428/10

**DESCRIPTION**

FIG. 1 is a perspective view of a hanging planter;  
FIG. 2 is a front elevation view thereof;  
FIG. 3 is a rear elevation view thereof;  
FIG. 4 is a left side elevation view thereof;  
FIG. 5 is a right side elevation view thereof;  
FIG. 6 is a top plan view thereof;  
FIG. 7 is a bottom plan view thereof; and,  
FIG. 8 is a perspective view of the hanging planter shown in use.  
The broken lines showing the plants of and supporting apparatus for the hanging planter in FIG. 8 depict environmental subject matter that forms no part of the claimed design, while the remaining broken lines shown in the drawings depict portions of the hanging planter that form no part of the claimed design.

**1 Claim, 4 Drawing Sheets**



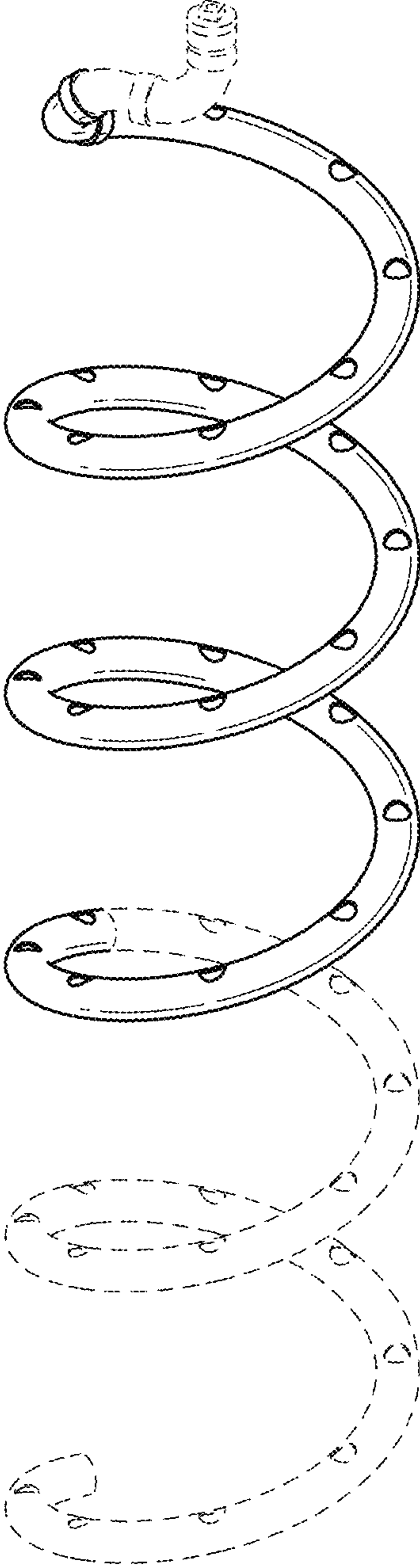


FIG. 1

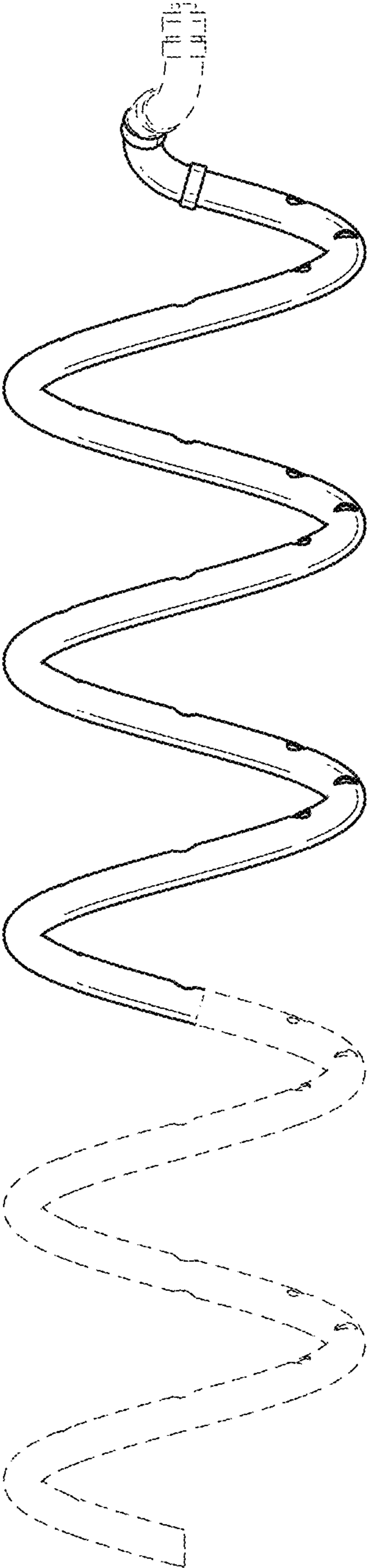


FIG. 2

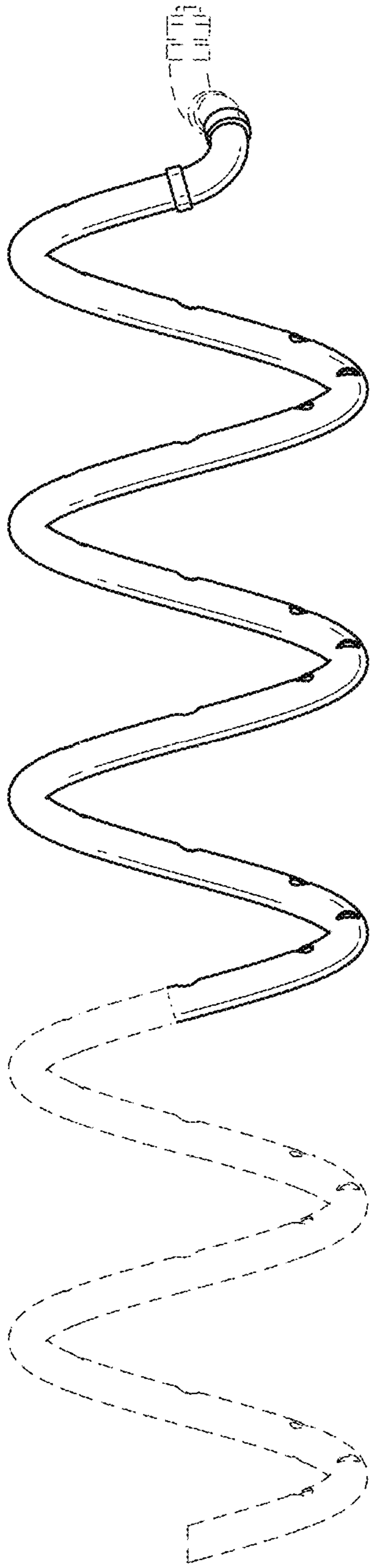


FIG. 3

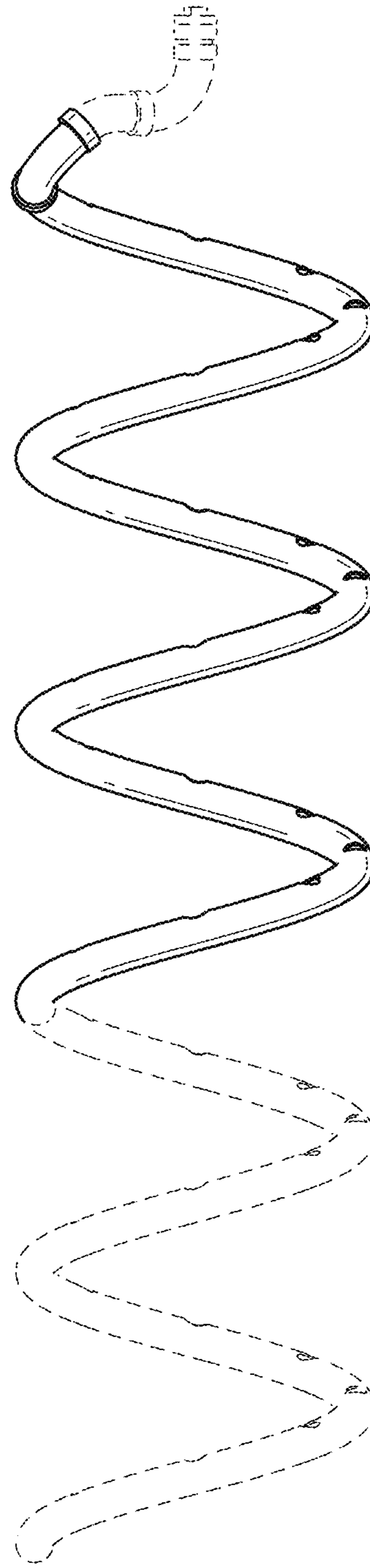


FIG. 4

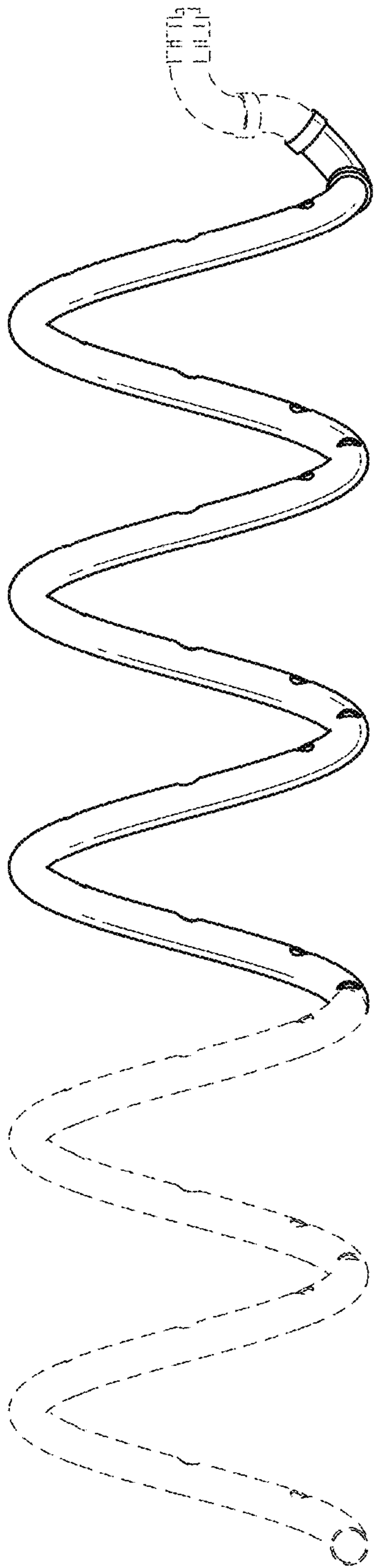


FIG. 5

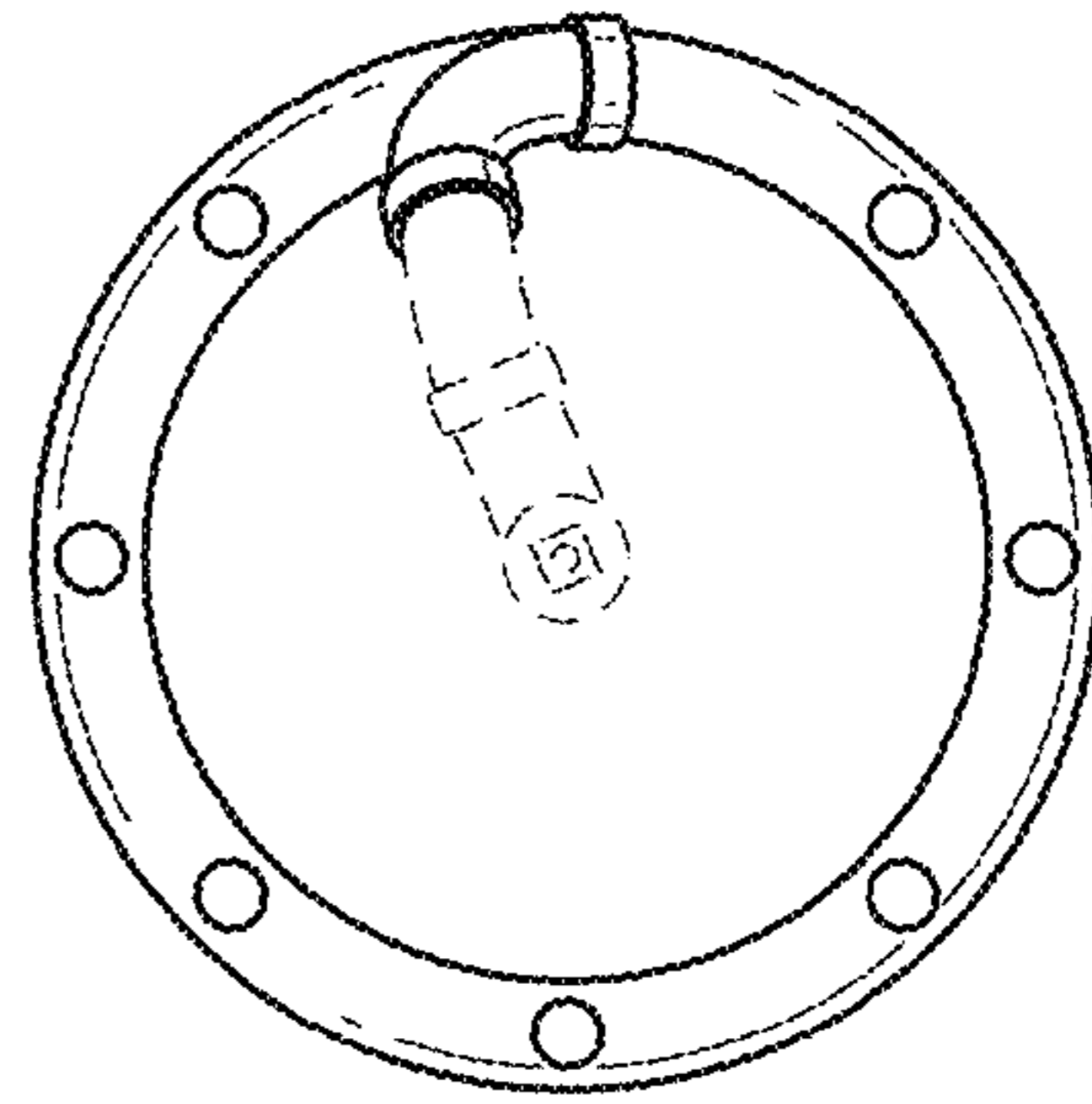


FIG. 6

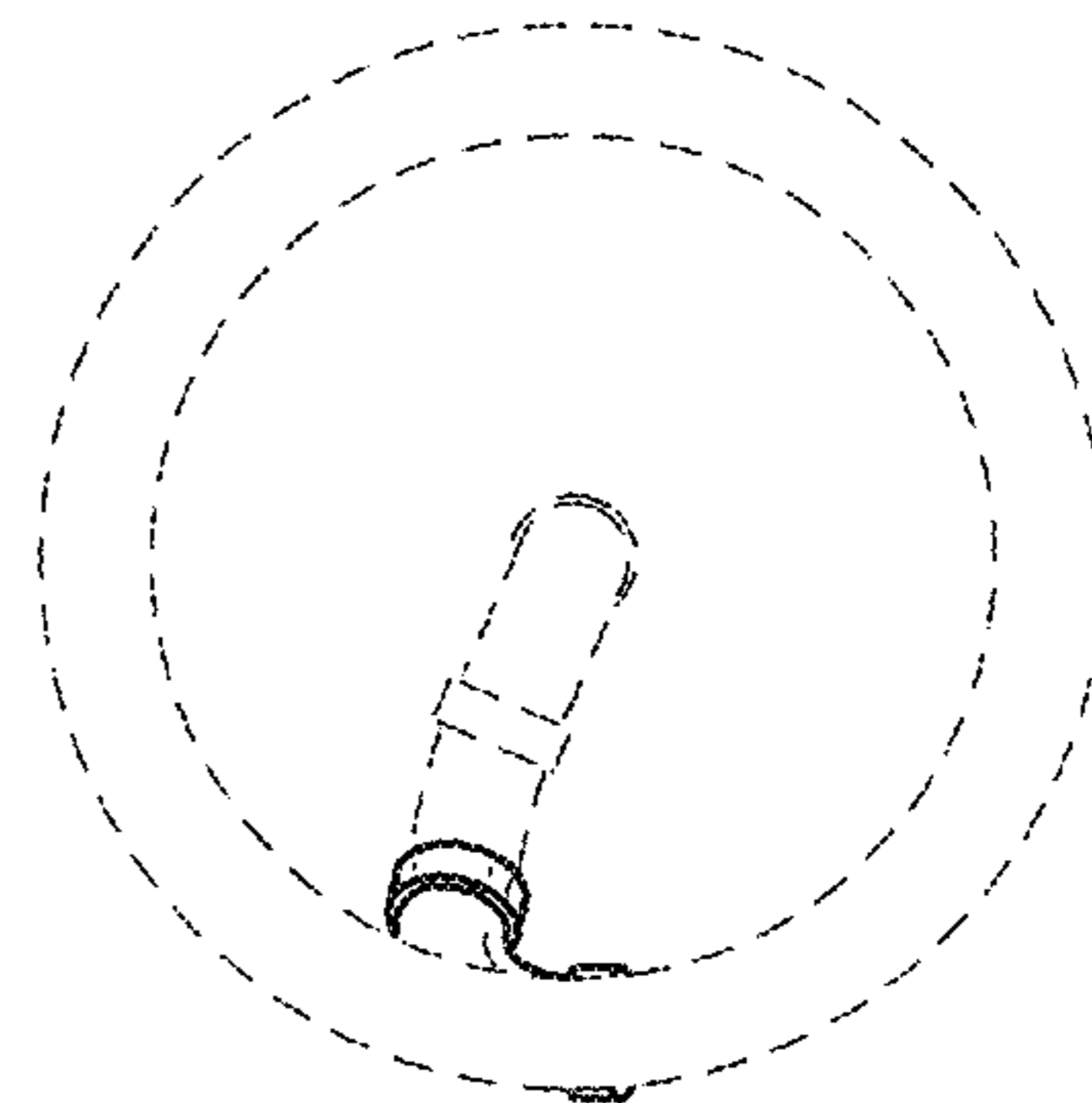


FIG. 7

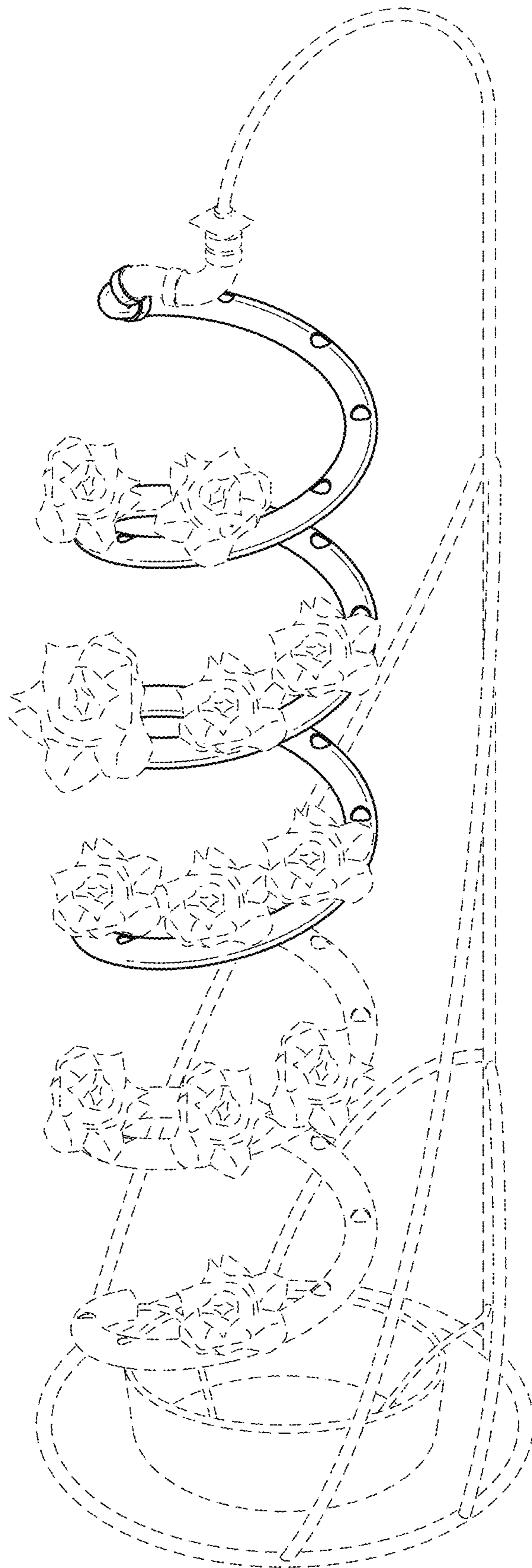


FIG. 8