



US00D772100S

(12) **United States Design Patent**  
**Shin**

(10) **Patent No.:** **US D772,100 S**

(45) **Date of Patent:** **\*\* Nov. 22, 2016**

(54) **FLOWERPOT STAND**  
(71) Applicants: **NANUMHOUSING CO., LTD.**, Seoul  
(KR); **NAMURANG CO., LTD.**,  
Gwacheon (KR)  
(72) Inventor: **Ok-Sup Shin**, Gunpo (KR)  
(73) Assignees: **NANUMHOUSING CO., LTD.**, Seoul  
(KR); **NAMURANG CO., LTD.**,  
Gwacheon-Si (KR)

D306,985 S \* 4/1990 Mason, Jr. .... D11/143  
D314,501 S \* 2/1991 Pagano ..... 248/183.1  
5,265,376 A \* 11/1993 Less ..... A01G 9/022  
47/83  
D344,672 S \* 3/1994 Current ..... D8/373  
D376,714 S \* 12/1996 Dallimore ..... D11/152  
D438,536 S \* 3/2001 Willison ..... D14/253  
6,615,542 B2 \* 9/2003 Ware ..... A01G 31/02  
47/83  
7,055,282 B2 \* 6/2006 Bryan, III ..... A01G 31/06  
47/62 R  
D716,179 S \* 10/2014 King ..... D11/143  
9,131,646 B2 \* 9/2015 Sung ..... A01G 9/025  
9,271,452 B2 \* 3/2016 Sung ..... A01G 9/025

(\*\*) Term: **15 Years**

\* cited by examiner

(21) Appl. No.: **29/528,039**

*Primary Examiner* — Elizabeth Albert

(22) Filed: **May 26, 2015**

(74) *Attorney, Agent, or Firm* — Lex IP Meister, PLLC

(30) **Foreign Application Priority Data**

Dec. 4, 2014 (KR) ..... 30-2014-0059013

(51) **LOC (10) Cl.** ..... **11-02**

(52) **U.S. Cl.**  
USPC ..... **D11/143**

(58) **Field of Classification Search**  
USPC ..... D6/403–405, 556–558; D11/143–156,  
D11/164; 47/67

CPC ..... A01G 9/02; A01G 9/021; A01G 9/023;  
A01G 9/024; A01G 9/028; A01G 9/04;  
A01G 9/042; A01G 9/14; A01G 9/025

See application file for complete search history.

(56) **References Cited**

**U.S. PATENT DOCUMENTS**

262,335 A \* 8/1882 Wagner ..... A01G 9/022  
47/83  
4,622,777 A \* 11/1986 Greene, Jr. .... A01G 9/022  
47/67

(57) **CLAIM**

The ornamental design for a flowerpot stand, as shown and described.

**DESCRIPTION**

FIG. 1 is a perspective view of a flowerpot stand showing my new design;  
FIG. 2 is a front elevational view thereof;  
FIG. 3 is a rear elevational view thereof;  
FIG. 4 is a left side elevational view thereof;  
FIG. 5 is a right side elevational view thereof;  
FIG. 6 is a top plan view thereof; and,  
FIG. 7 is a bottom plan view thereof.

**1 Claim, 7 Drawing Sheets**

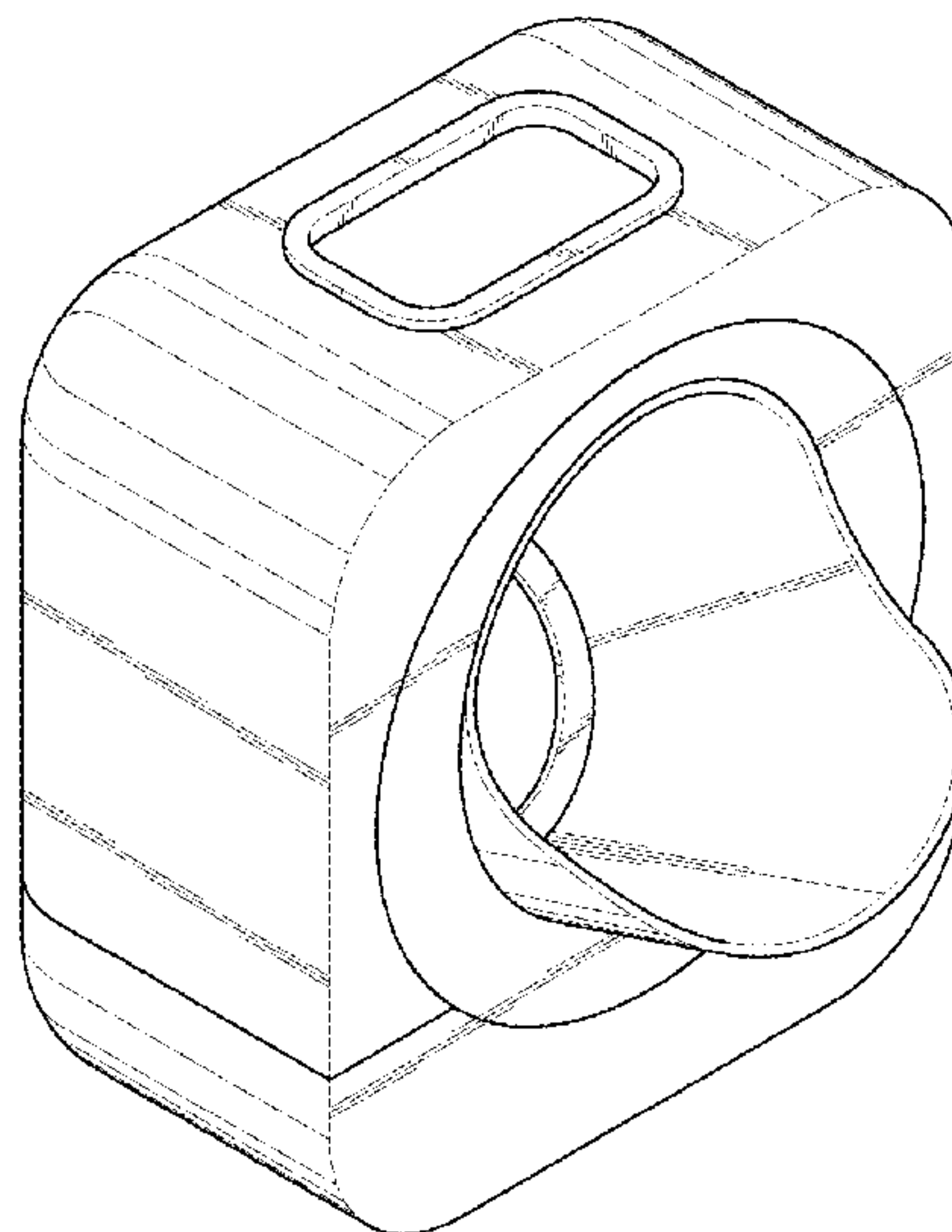


FIG. 1

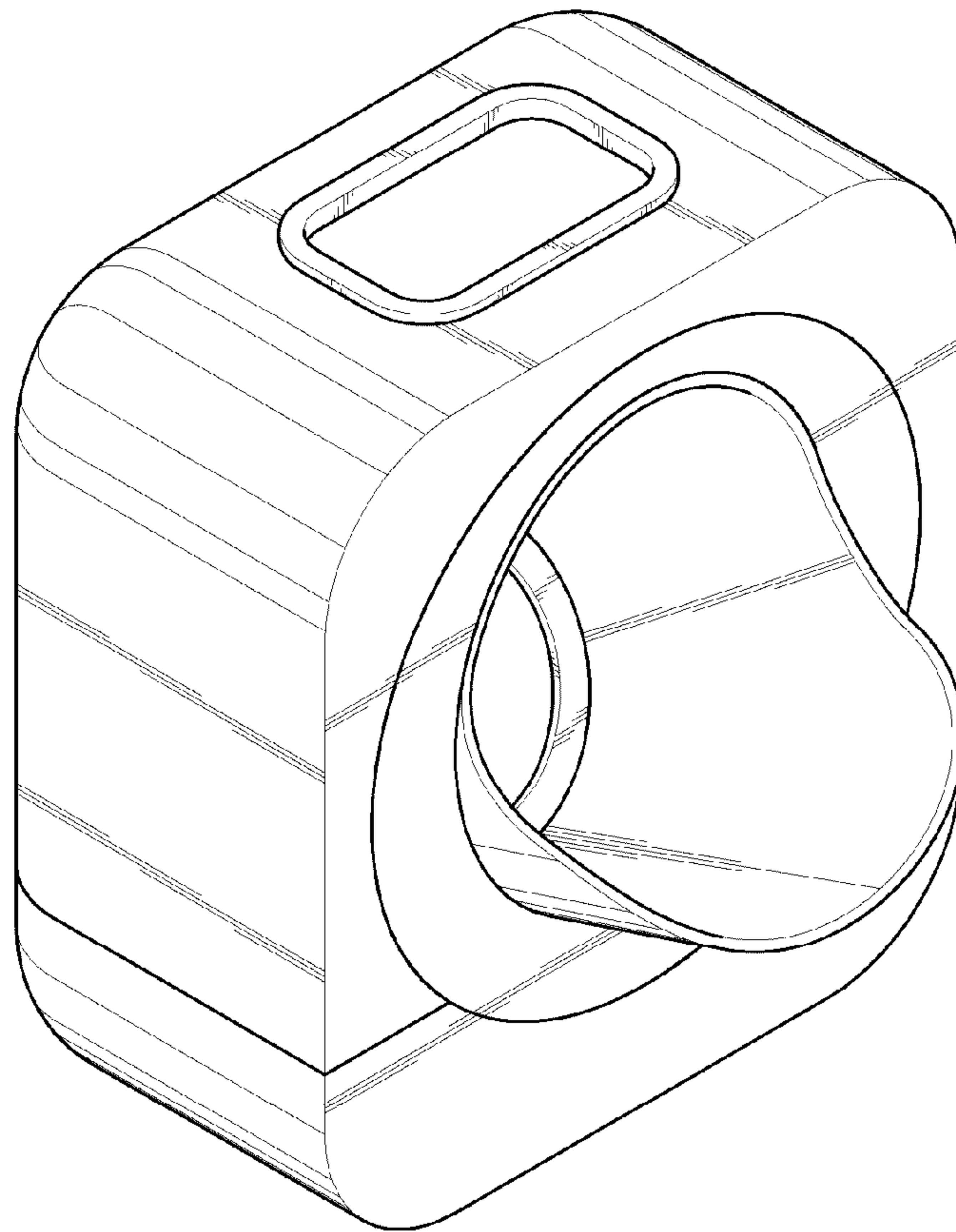


FIG. 2

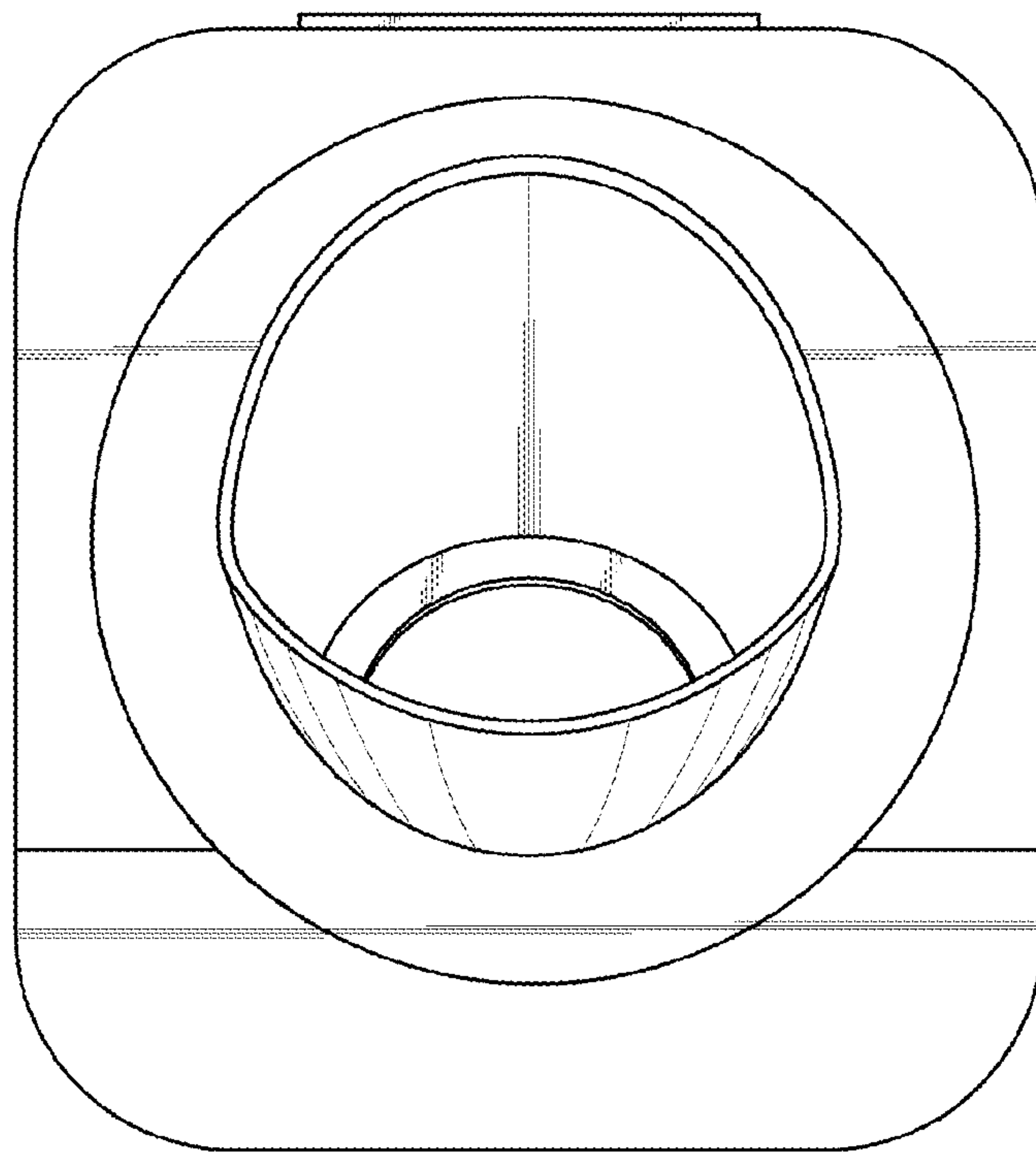


FIG. 3

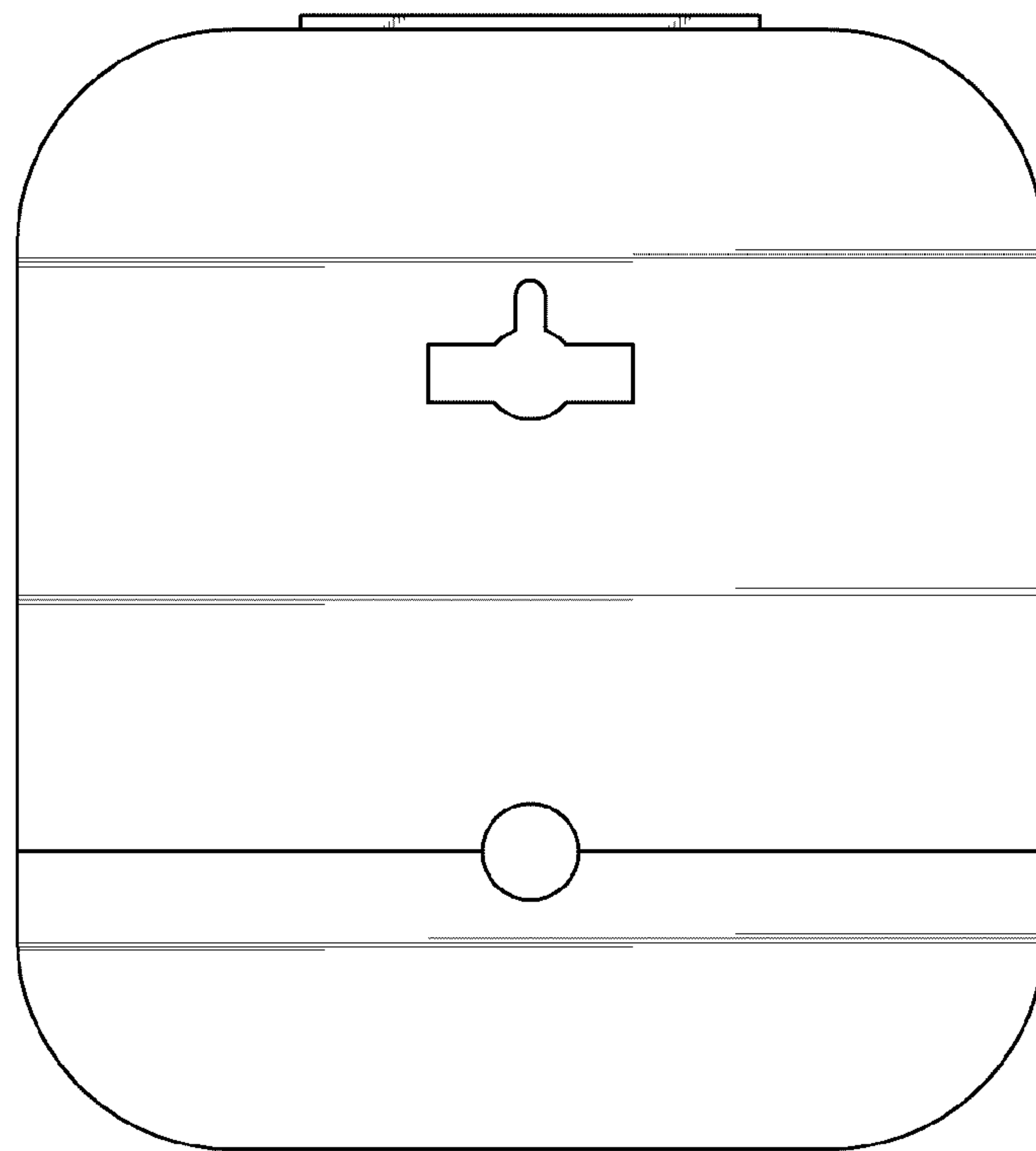


FIG. 4

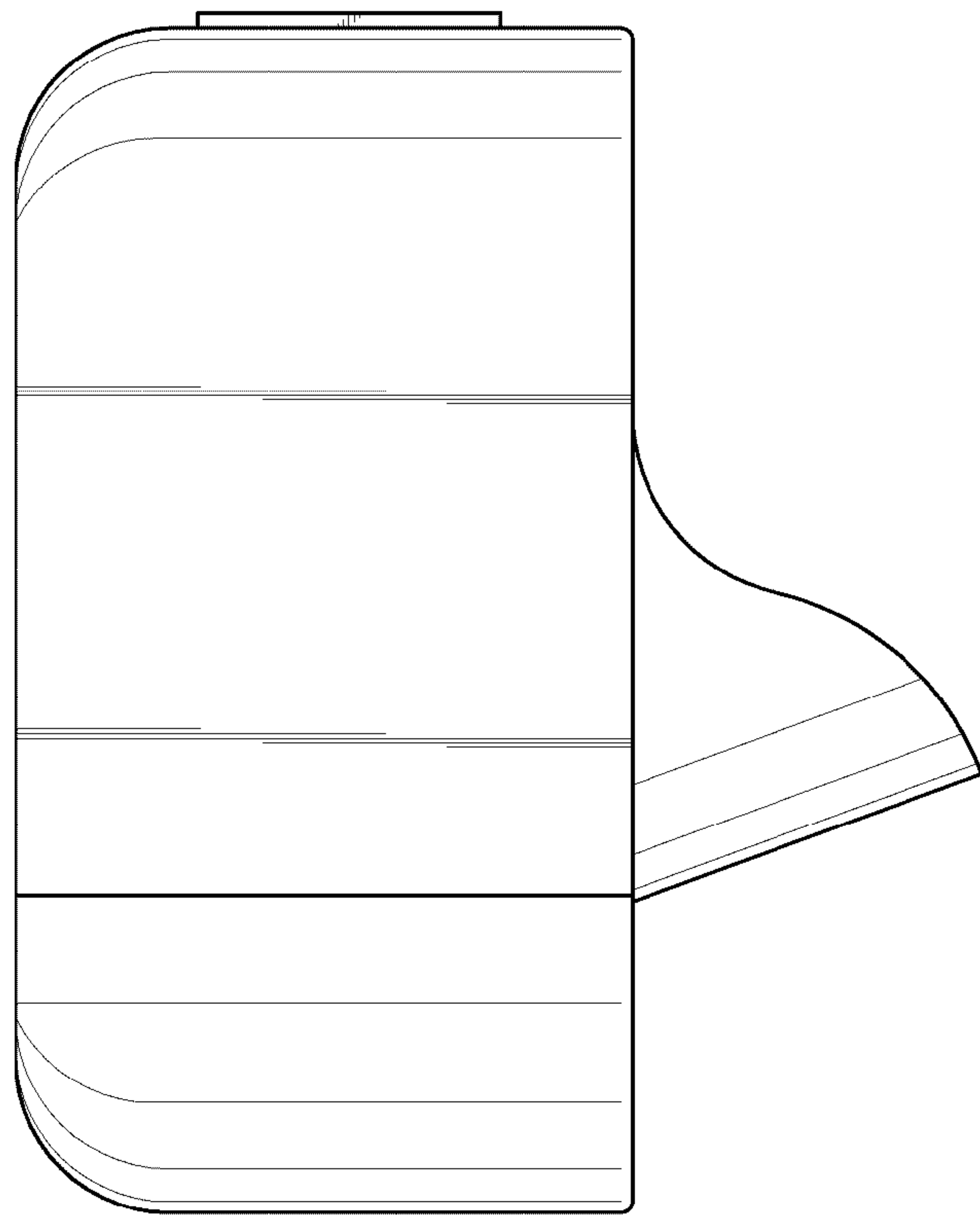


FIG. 5

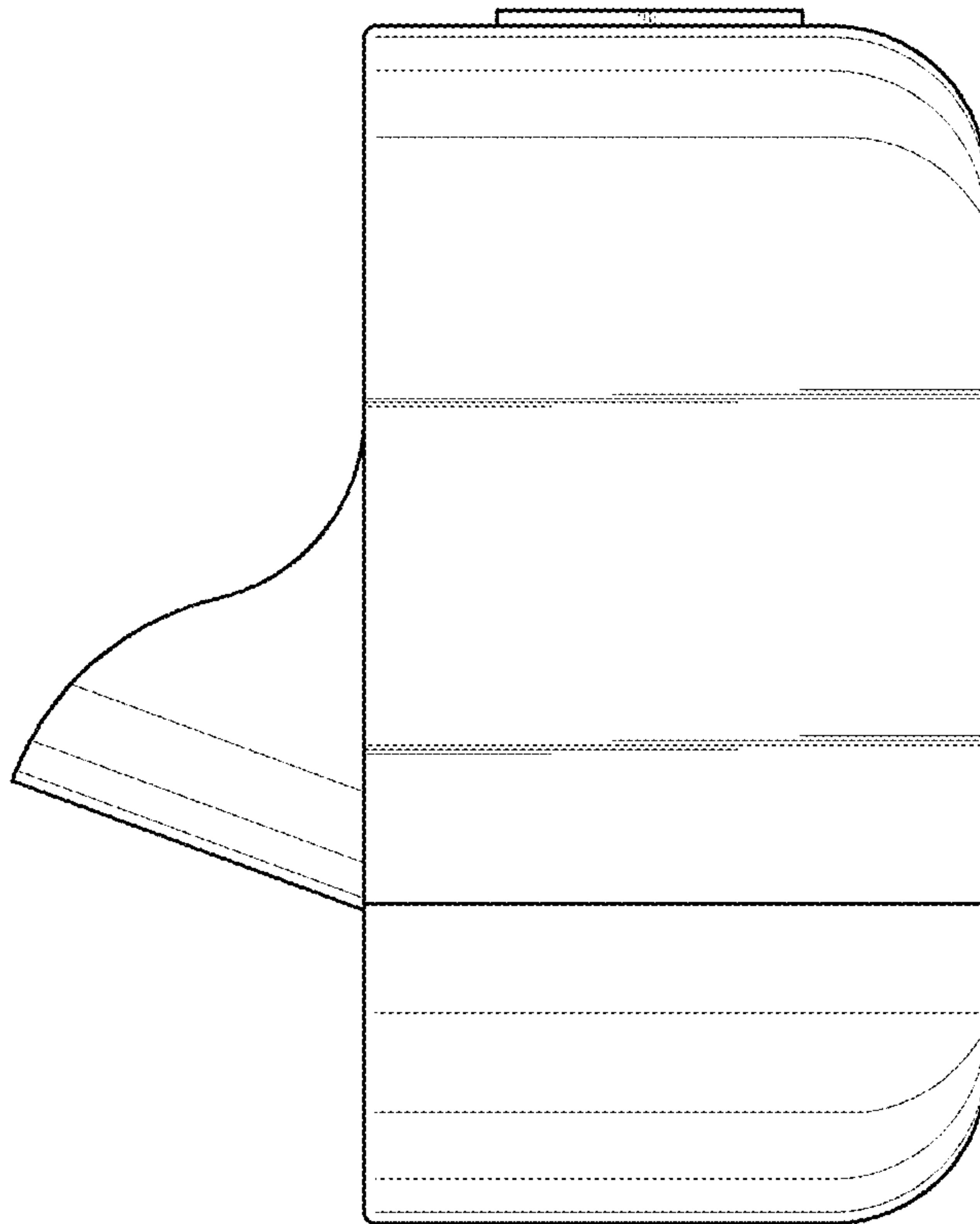


FIG. 6

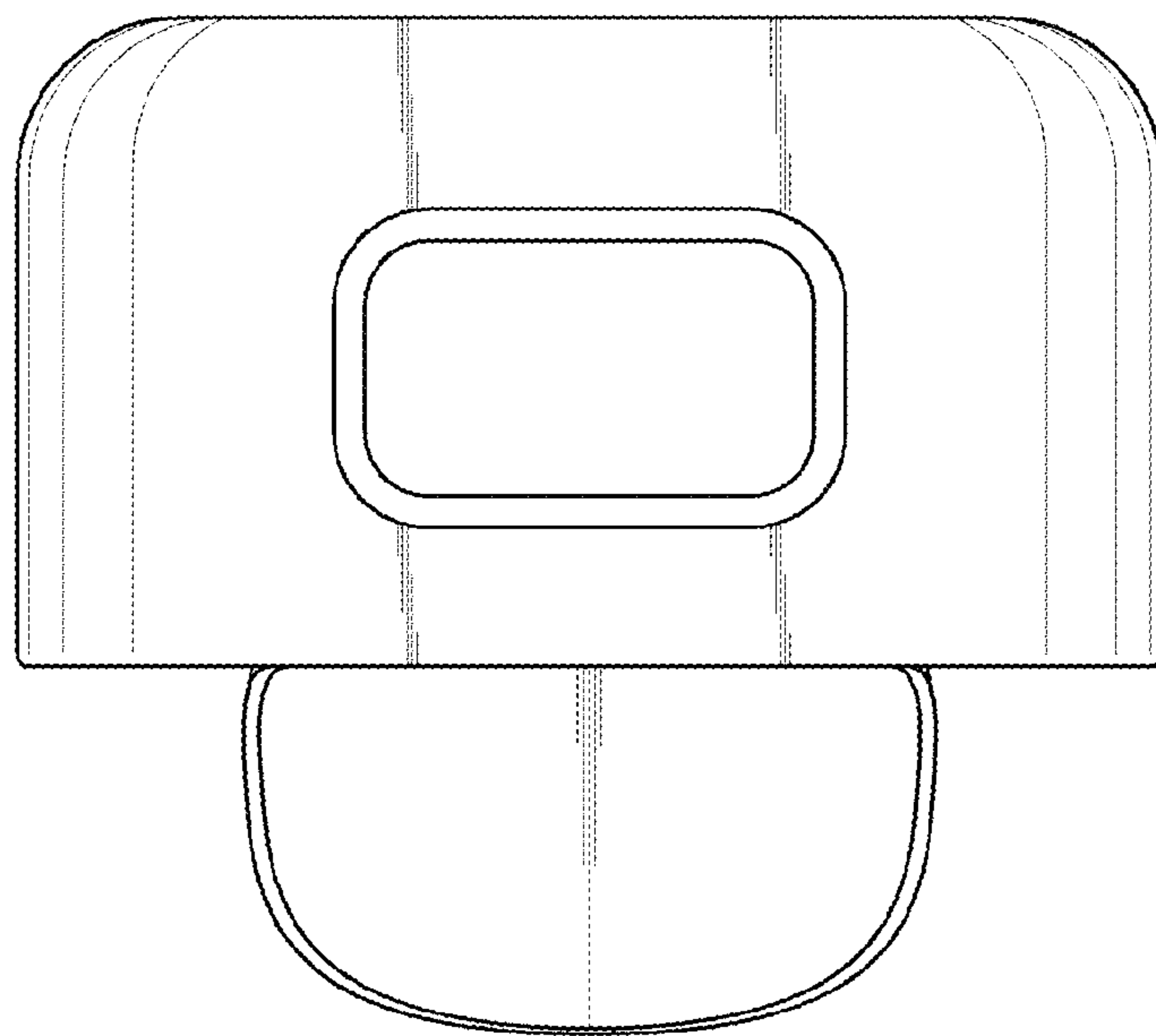


FIG. 7

