



US00D772097S

(12) **United States Design Patent** (10) **Patent No.:** **US D772,097 S**
Silvestri (45) **Date of Patent:** **** Nov. 22, 2016**

(54) **PENDANT**
(71) Applicant: **Bulgari S.p.A.**, Rome (IT)
(72) Inventor: **Lucia Silvestri**, Rome (IT)
(73) Assignee: **BULGARI S.P.A.**, Rome (IT)
(**) Term: **15 Years**
(21) Appl. No.: **29/535,066**
(22) Filed: **Aug. 3, 2015**

D397,638 S * 9/1998 Shenhav D11/81
D506,407 S * 6/2005 Gruosi-Scheufele D11/54
D507,985 S * 8/2005 Sandberg D11/43
D518,750 S * 4/2006 Lawlor D11/103
D553,539 S * 10/2007 Arasheben D11/83
D575,667 S * 8/2008 Mudrick D11/103
D606,450 S * 12/2009 Aletto D11/103
D628,934 S * 12/2010 Fernandez Rives D11/56
D636,693 S * 4/2011 Hegi D11/1
8,047,019 B1 * 11/2011 Tillery A44C 1/00
63/1.17
D690,617 S * 10/2013 Lawlor D11/103
D711,278 S * 8/2014 Kadri D11/56
D712,301 S * 9/2014 Tipp D11/56

(30) **Foreign Application Priority Data**

Feb. 4, 2015 (WO) DM/085566

(51) **LOC (10) Cl.** **11-01**

(52) **U.S. Cl.**
USPC **D11/81; D11/56**

(58) **Field of Classification Search**
USPC D11/1, 2, 7, 8, 26, 40, 41, 42, 43, 44,
D11/56, 79-86, 91, 92, 103, 133
CPC A44C 5/00; A44C 1/00; A44C 7/002;
A44C 11/00; A44C 11/007; A44C 23/00;
A44C 25/00; A44C 25/001; A44C 25/007;
A44C 17/02; A44C 17/0241; A44C 17/0266;
A44C 17/0275

See application file for complete search history.

(56) **References Cited**

U.S. PATENT DOCUMENTS

2,450,620 A * 10/1948 Speicher A44C 17/006
29/10
D263,813 S * 4/1982 Buschmann D11/56
D304,697 S * 11/1989 Crews D11/56
D390,149 S * 2/1998 Shenhav D11/56
D397,307 S * 8/1998 Shenhav D11/79
D397,308 S * 8/1998 Shenhav D11/79
D397,309 S * 8/1998 Shenhav D11/81

OTHER PUBLICATIONS

[Online] http://www.bulgari.com/media/alpencms/cms_block_image_3560_1024x402.jpg. Retrieved Apr. 11, 2016.*

* cited by examiner

Primary Examiner — Garth Rademaker
Assistant Examiner — Melanie Pellegrini
(74) *Attorney, Agent, or Firm* — Stephen Kenny; Peter Sullivan; Foley Hoag LLP

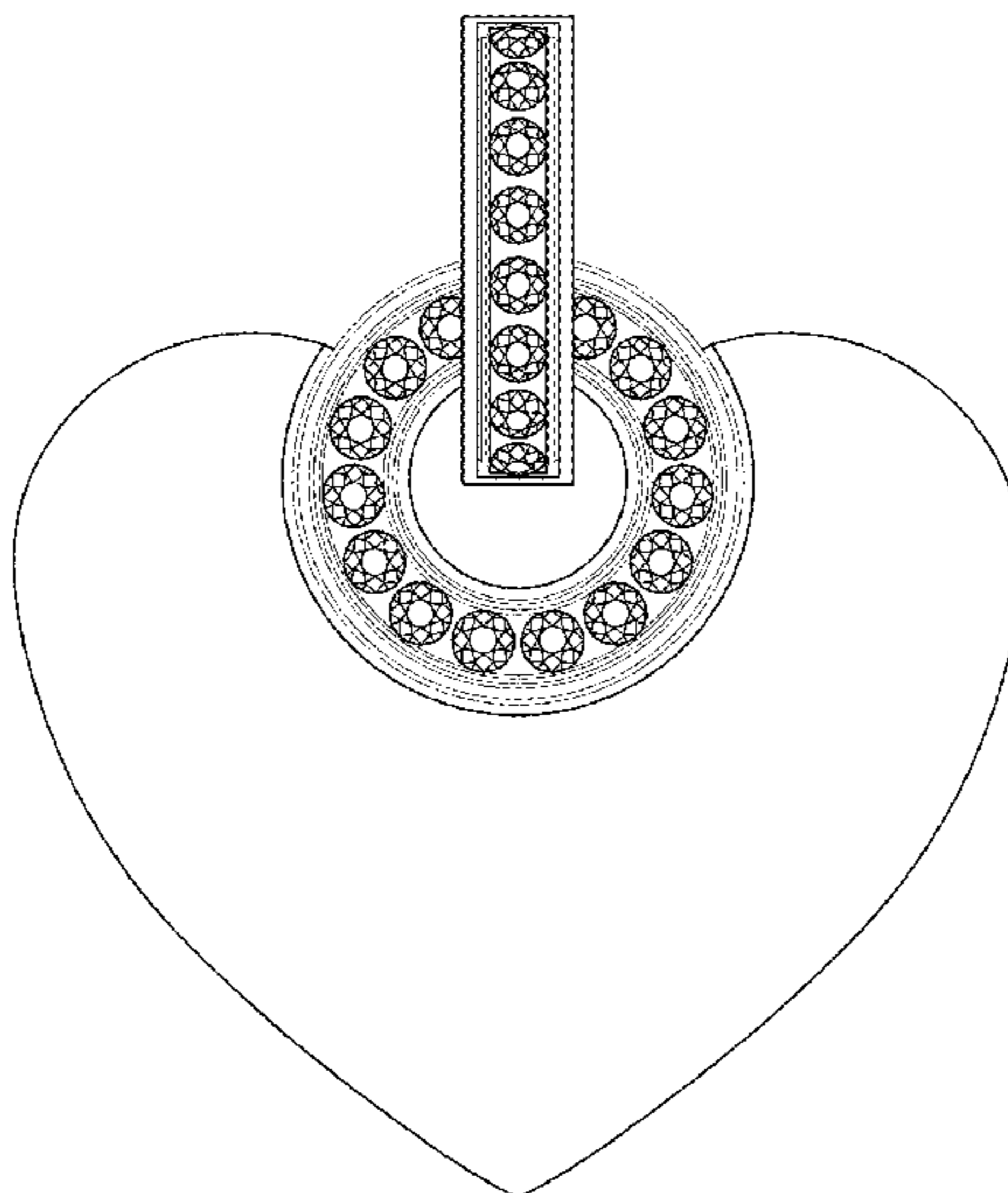
(57) **CLAIM**

The ornamental design for a pendant, as shown and described.

DESCRIPTION

FIG. 1 is a front view of a pendant;
FIG. 2 is a back view thereof;
FIG. 3 is a left side view thereof;
FIG. 4 is a right side view thereof;
FIG. 5 is a top view thereof;
FIG. 6 is a bottom thereof; and,
FIG. 7 is a back perspective view thereof.

1 Claim, 7 Drawing Sheets



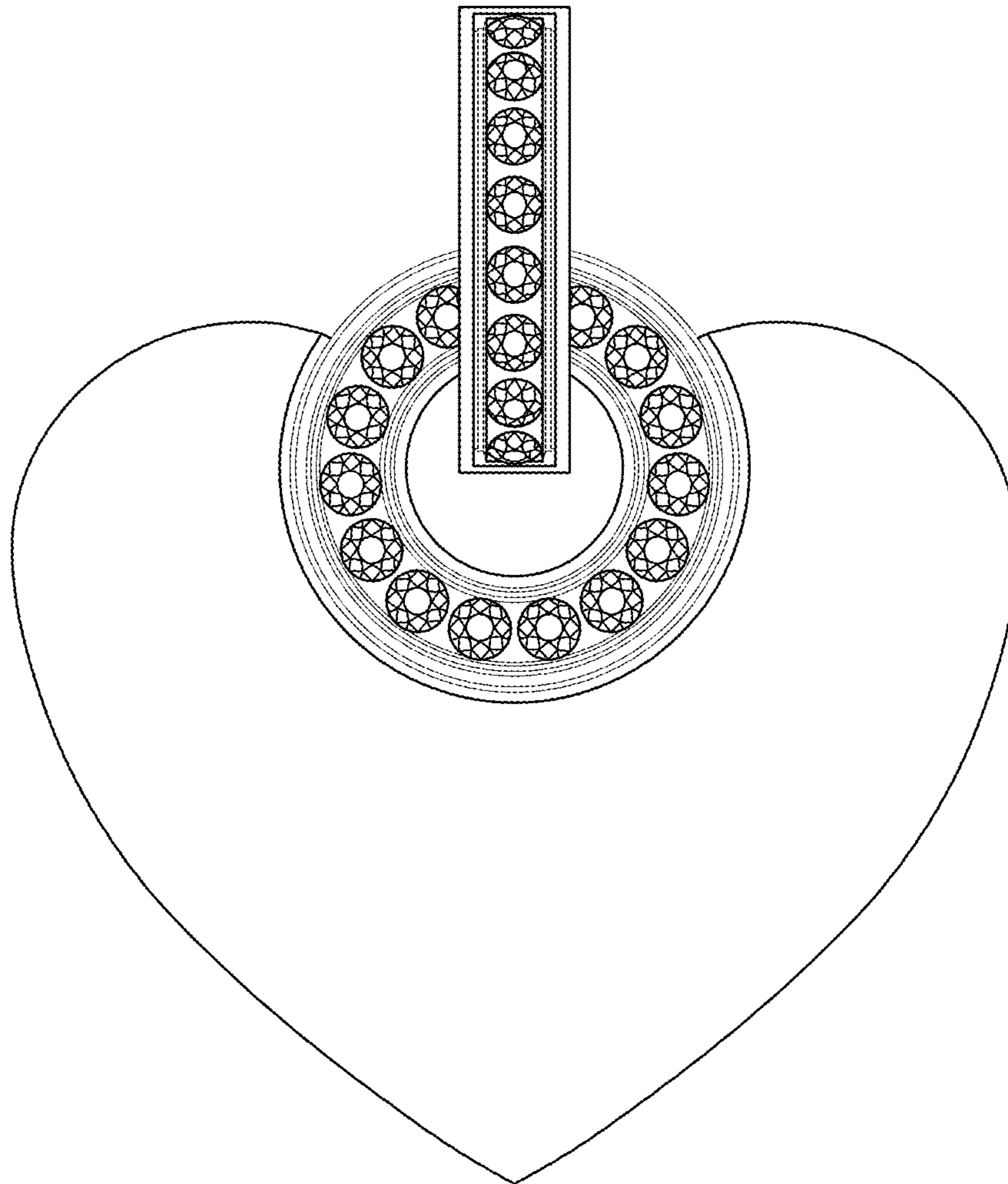


FIG. 1

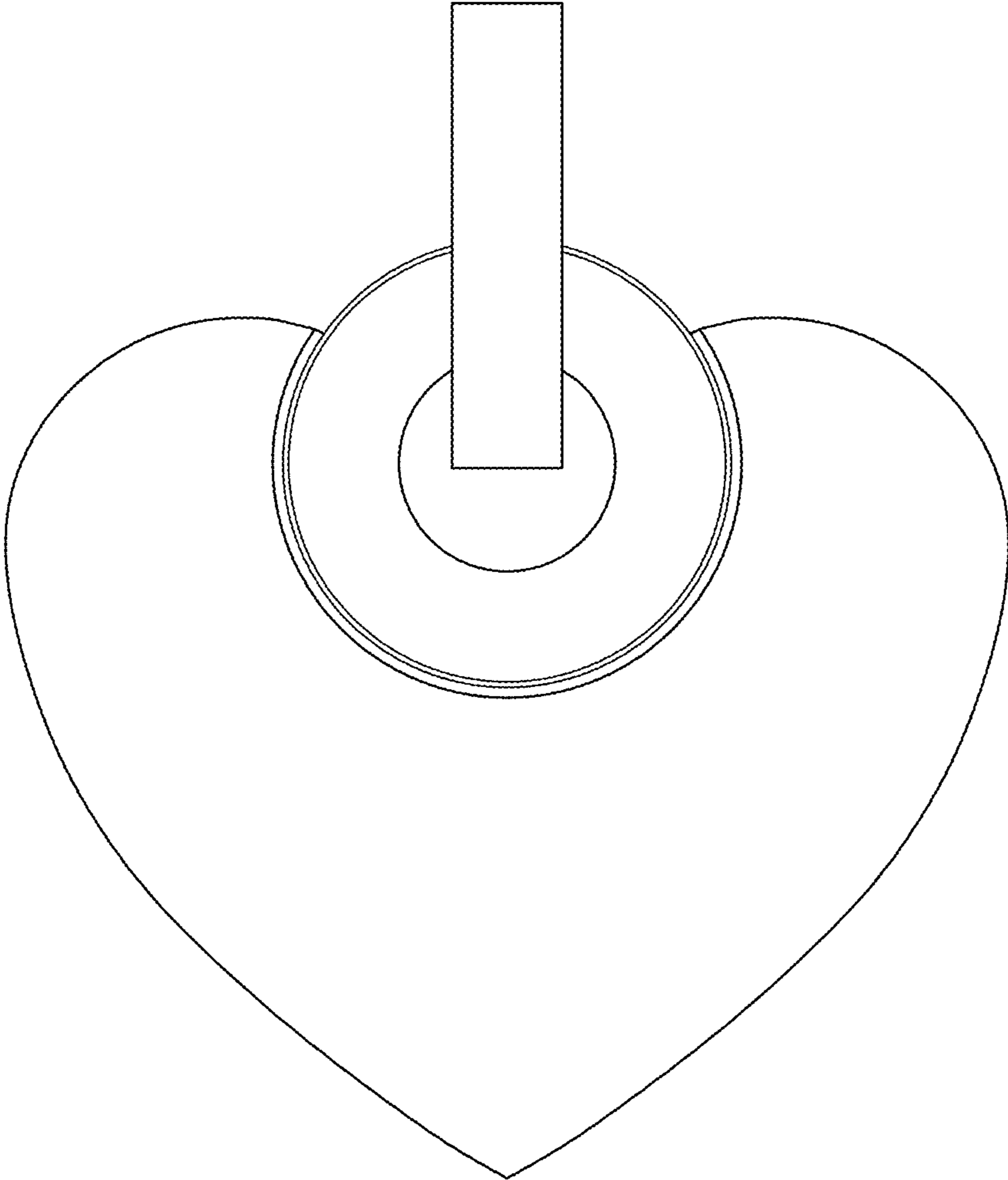


FIG.2

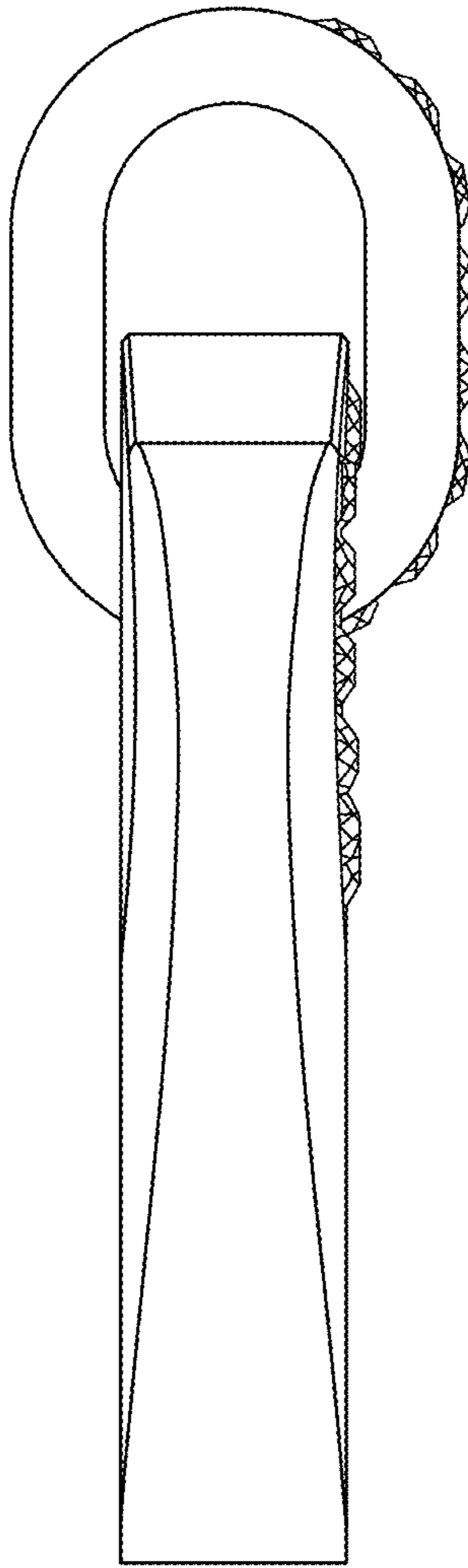


FIG.3

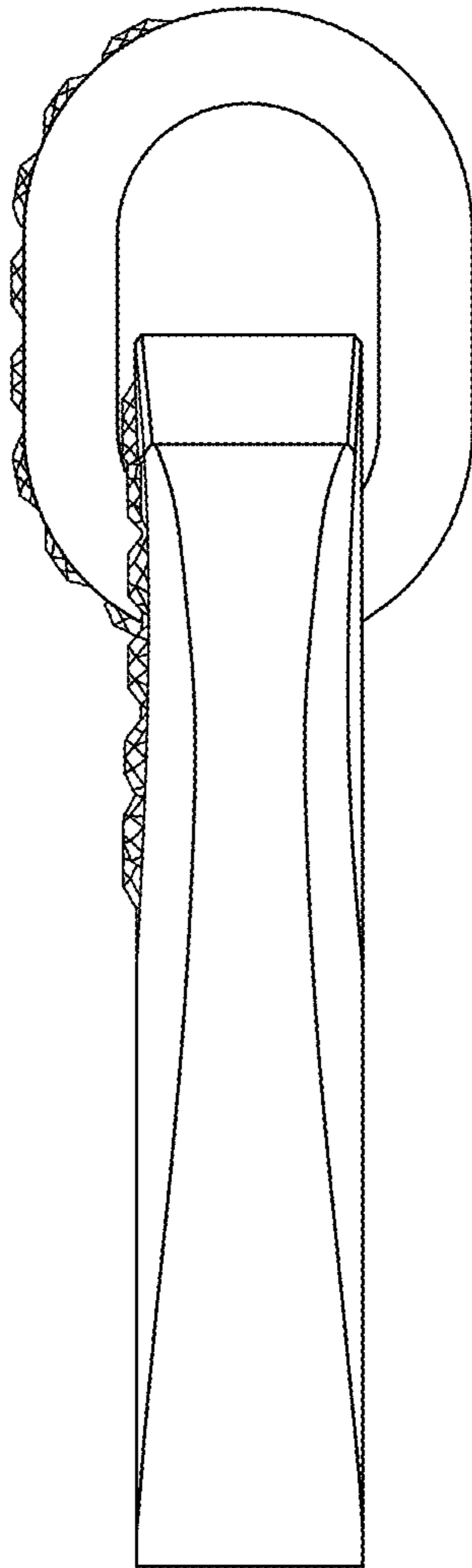


FIG.4

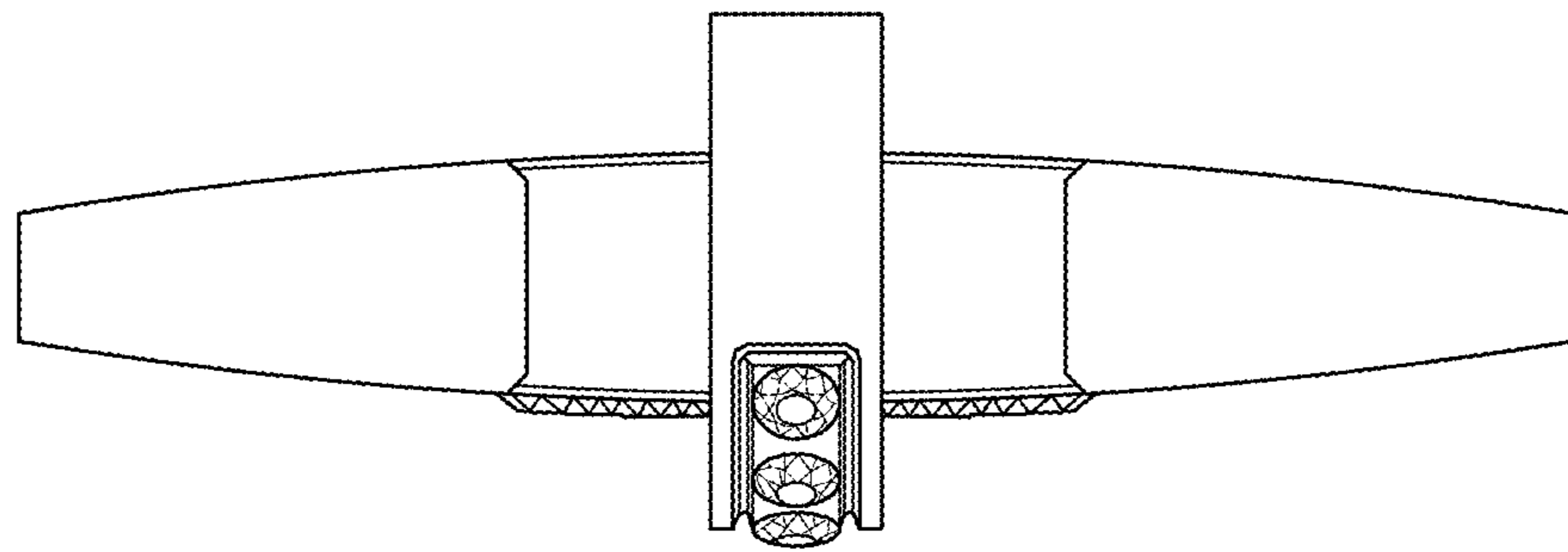


FIG. 5

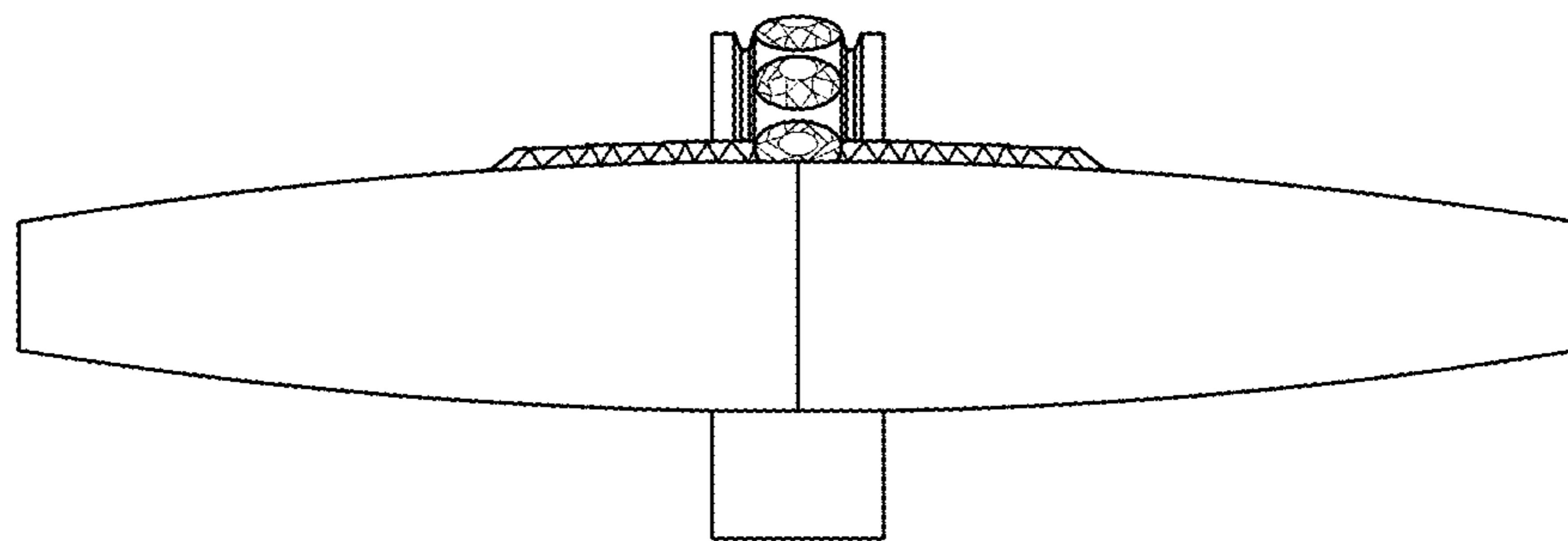


FIG. 6

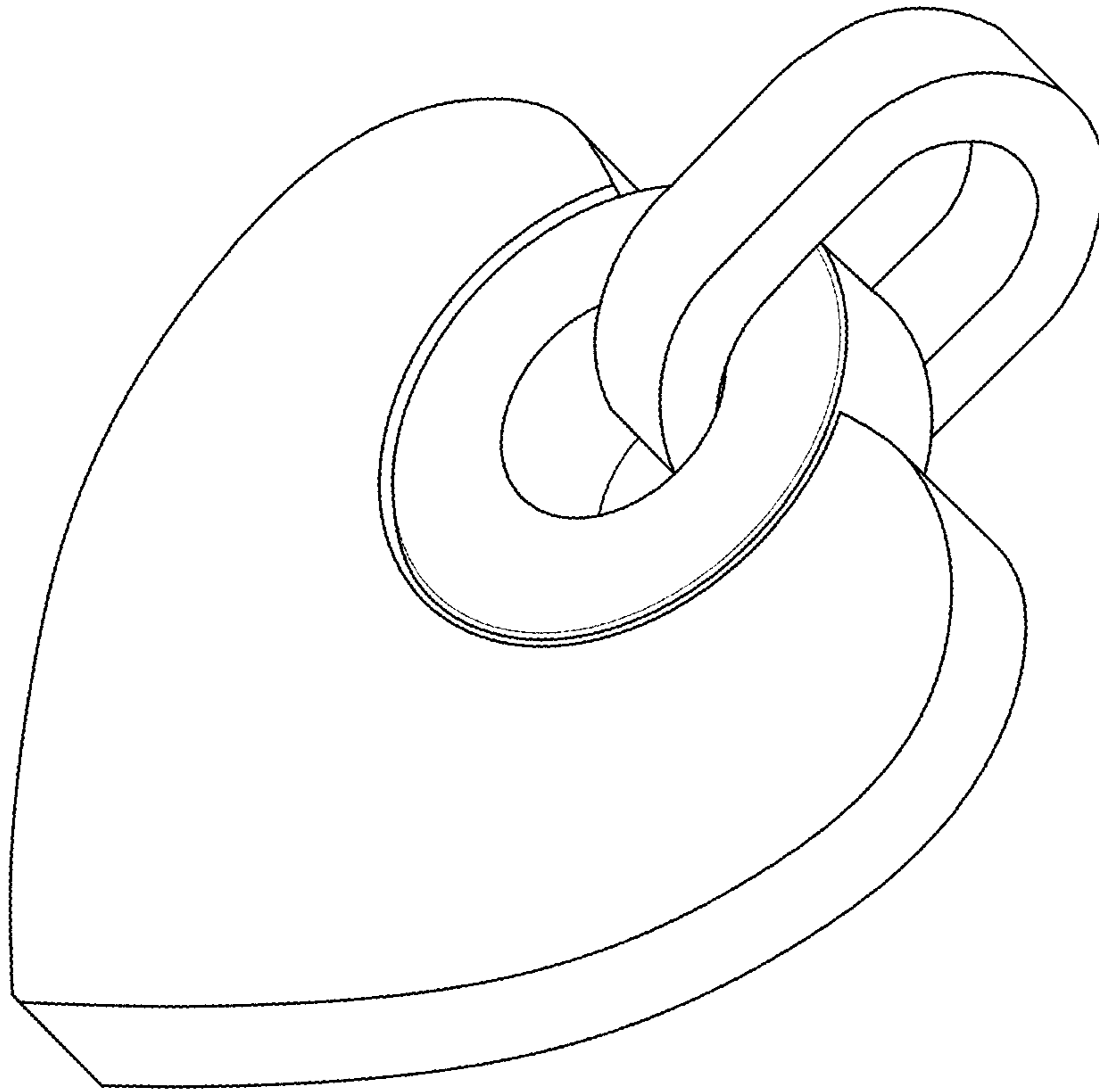


FIG.7