



US00D772095S

(12) **United States Design Patent** (10) **Patent No.:** **US D772,095 S**  
**Kummer et al.** (45) **Date of Patent:** **\*\* Nov. 22, 2016**

(54) **OSCILLATING WEIGHT**  
(71) Applicant: **Richemont International SA,**  
Villars-sur-Glâne (CH)  
(72) Inventors: **Matthias Kummer,** Schaffhausen (CH);  
**Gerd Thomas Rudolf Plange,**  
Beringen (CH)  
(73) Assignee: **Richemont International SA,**  
Villars-sur-Glâne (CH)

7,547,136	B2 *	6/2009	Bravo et al. ....	368/152
D606,133	S *	12/2009	Lien .....	D21/681
D624,840	S *	10/2010	Behling .....	D10/129
D640,582	S *	6/2011	Behling .....	D10/128
D650,302	S *	12/2011	Greubel et al. ....	D10/128
D650,303	S *	12/2011	Greubel et al. ....	D10/128
8,342,740	B2 *	1/2013	Beccia et al. ....	368/208
D700,535	S *	3/2014	Graf .....	D10/129
8,882,340	B2 *	11/2014	Kaelin et al. ....	368/148
D725,530	S *	3/2015	Graff .....	D10/129
9,004,749	B2 *	4/2015	Poffet et al. ....	368/208
D730,764	S *	6/2015	Graf .....	D10/129
9,104,179	B2 *	8/2015	Jamin et al. ....	
2006/0050617	A1 *	3/2006	Papi .....	368/203

(\*\*) Term: **14 Years**

\* cited by examiner

(21) Appl. No.: **29/514,208**

*Primary Examiner* — Patricia Palasik

(22) Filed: **Jan. 9, 2015**

(74) *Attorney, Agent, or Firm* — Taft Stettinius & Hollister LLP

(30) **Foreign Application Priority Data**  
Jul. 16, 2014 (WO) ..... 826877201

(51) **LOC (10) Cl.** ..... **10-07**

(52) **U.S. Cl.**  
USPC ..... **D10/128**

(58) **Field of Classification Search**  
USPC ..... D10/46, 122–132  
CPC ..... G04B 5/165  
See application file for complete search history.

(56) **References Cited**

**U.S. PATENT DOCUMENTS**

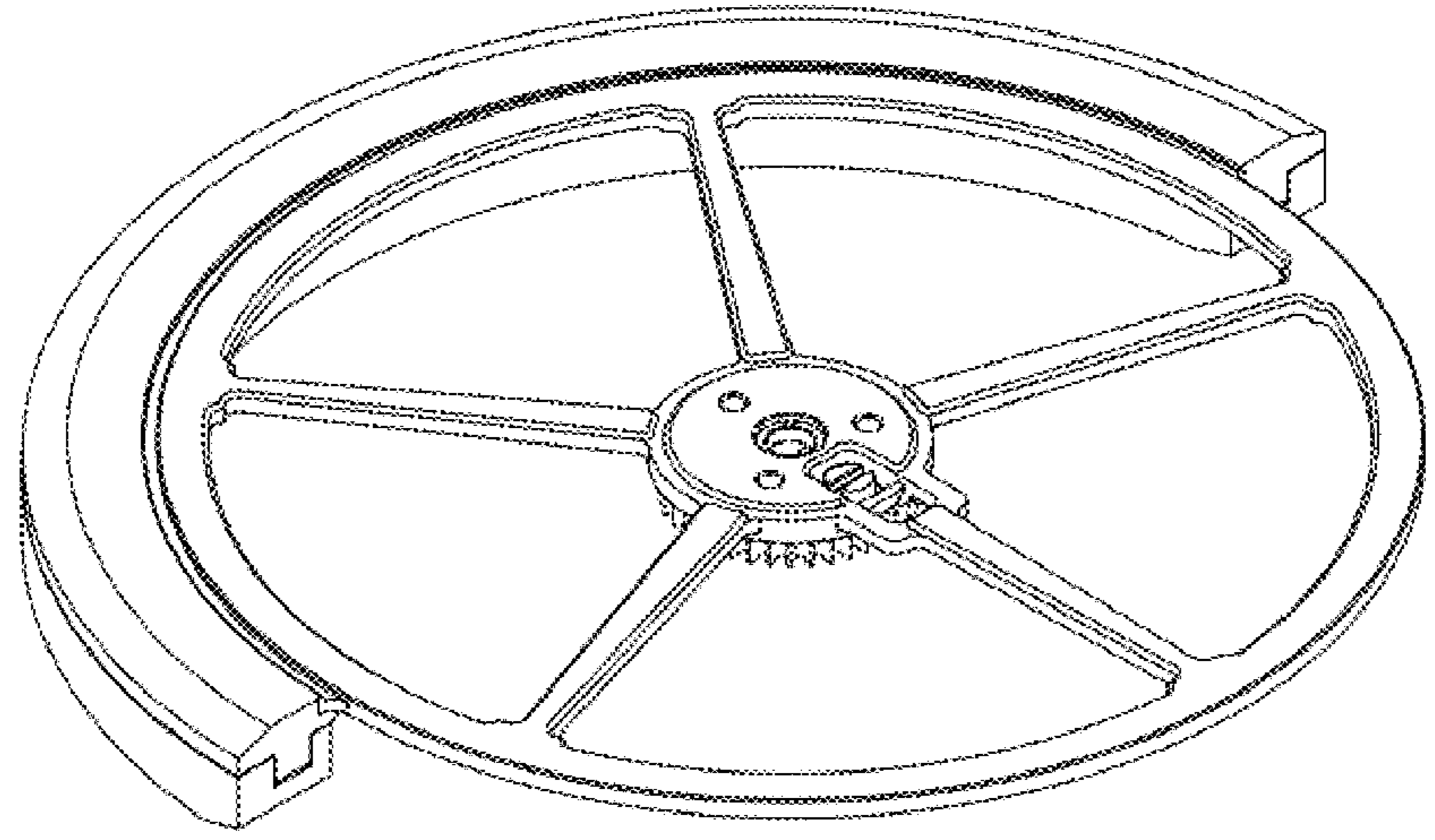
D480,979	S *	10/2003	Filiberti .....	D10/128
D481,323	S *	10/2003	Filiberti .....	D10/128
D481,324	S *	10/2003	Filiberti .....	D10/128
D481,644	S *	11/2003	Filiberti .....	D10/128
D539,182	S *	3/2007	Perret .....	D10/128
7,217,030	B2 *	5/2007	Papi .....	368/150

(57) **CLAIM**  
The ornamental design for an oscillating weight, as shown and described.

**DESCRIPTION**

FIG. 1 is a front view of a oscillating weight of the present invention.  
FIG. 2 is a rear view of the oscillating weight of FIG. 1.  
FIG. 3 is a bottom view of the oscillating weight of FIG. 1.  
FIG. 4 is a top view of the oscillating weight of FIG. 1.  
FIG. 5 is a left side view of the oscillating weight of FIG. 1.  
FIG. 6 is a right side view of the oscillating weight of FIG. 1; and,  
FIG. 7 is a right side perspective view of the oscillating weight of FIG. 1.  
The broken lines in the drawings depict unclaimed environmental subject matter.

**1 Claim, 1 Drawing Sheet**



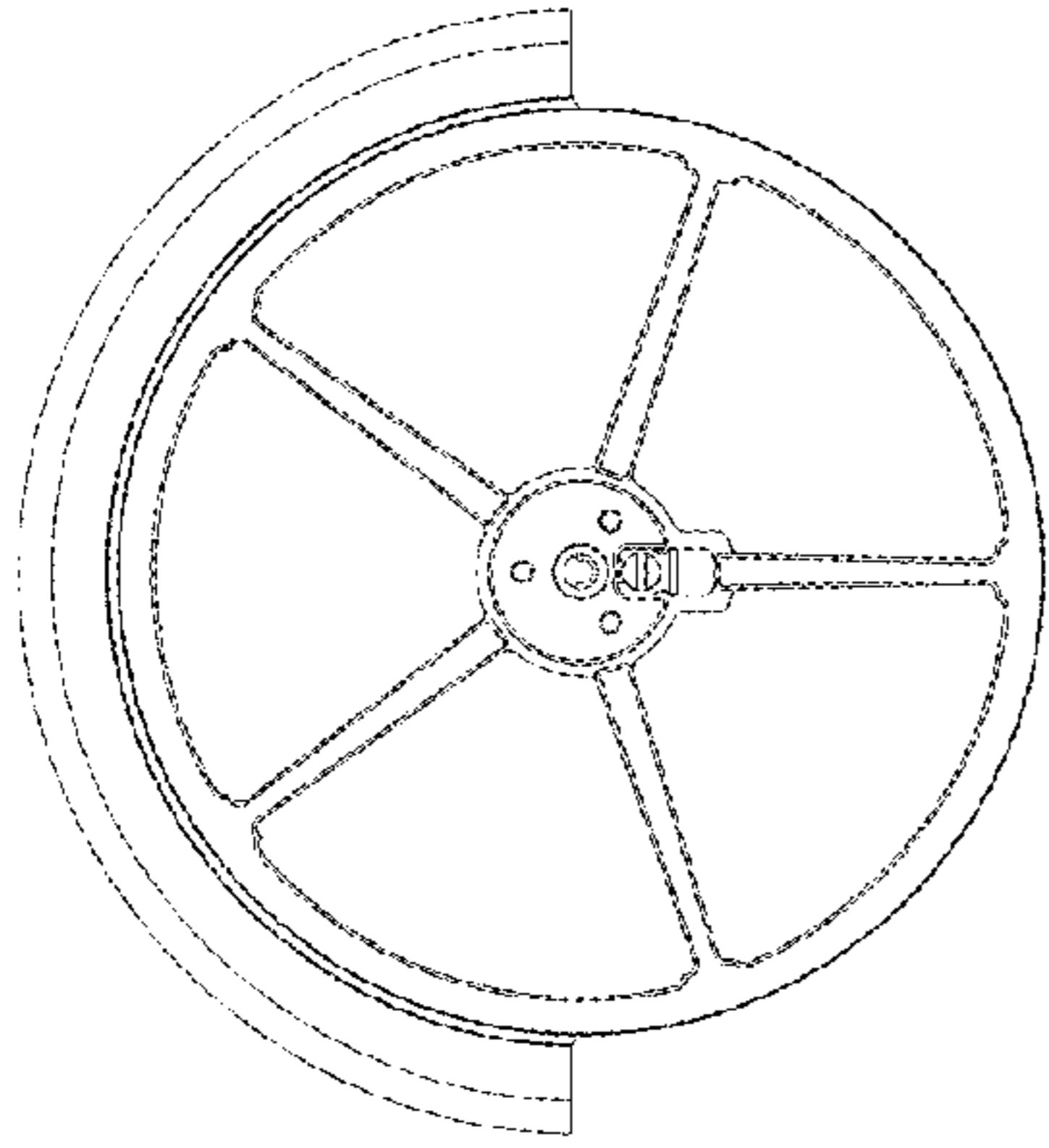


Fig. 1

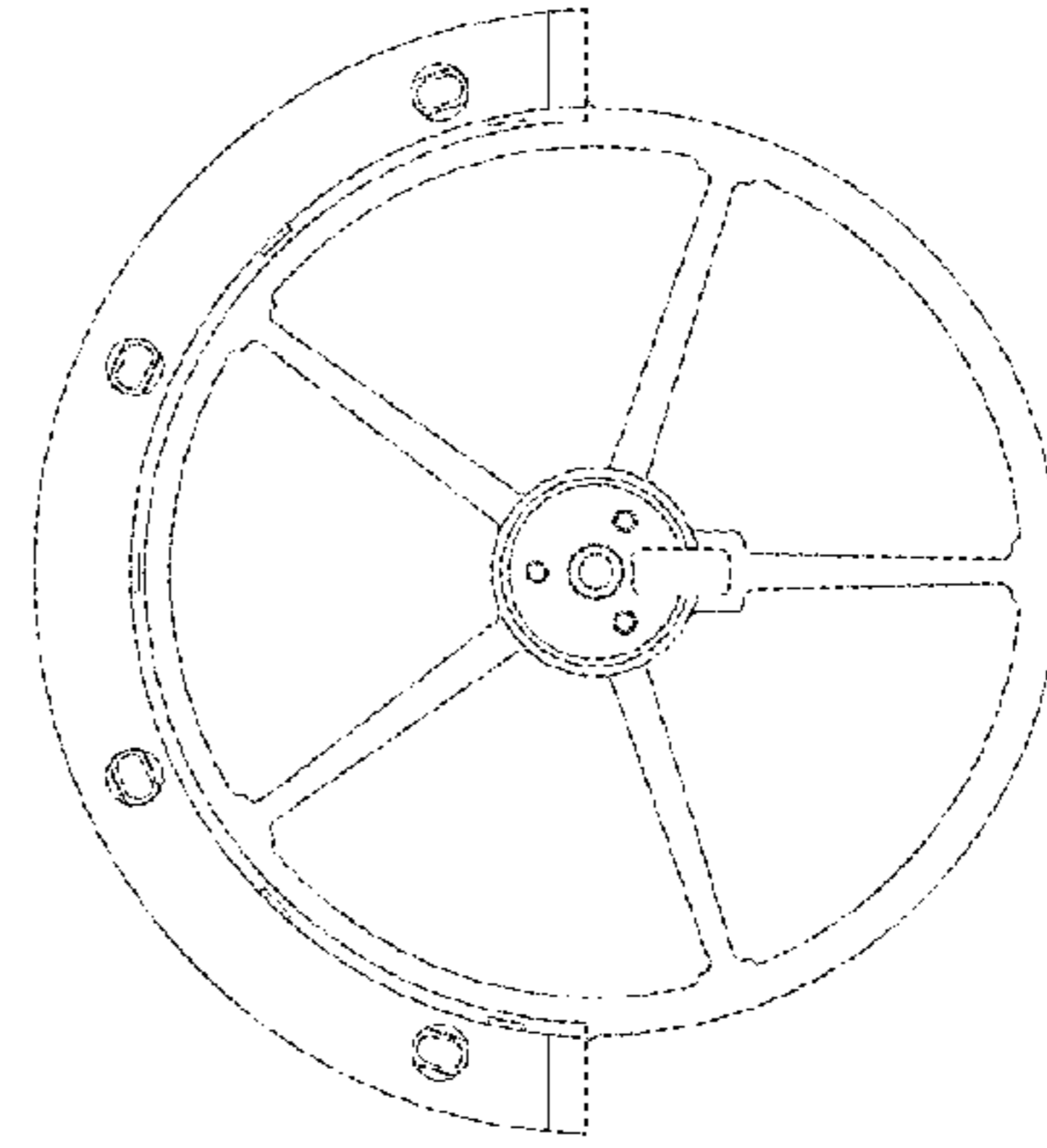


Fig. 2



Fig. 3

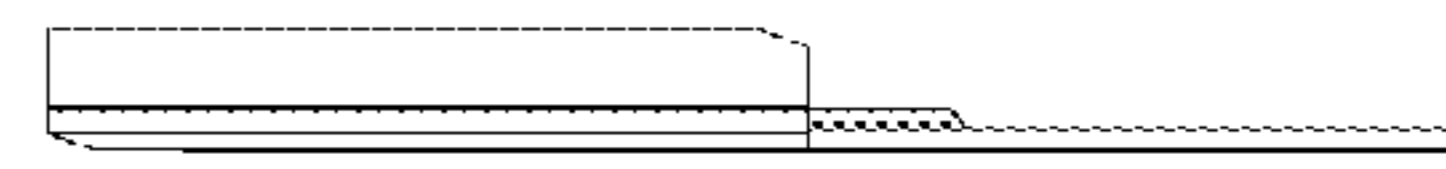


Fig. 4

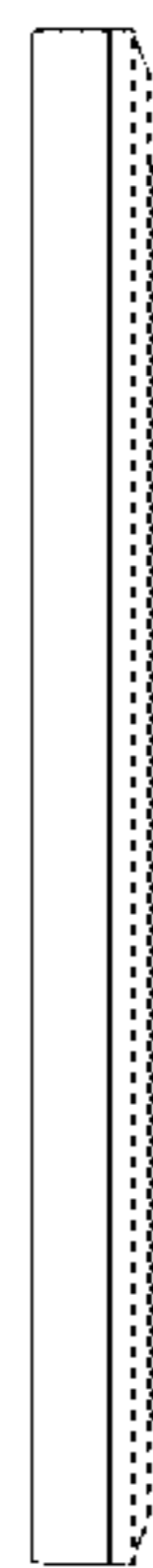


Fig. 5

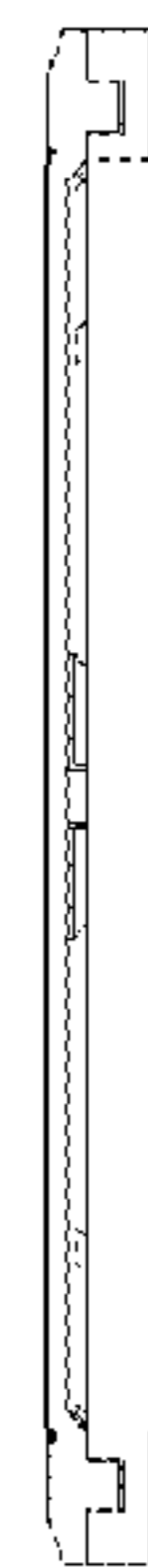


Fig. 6

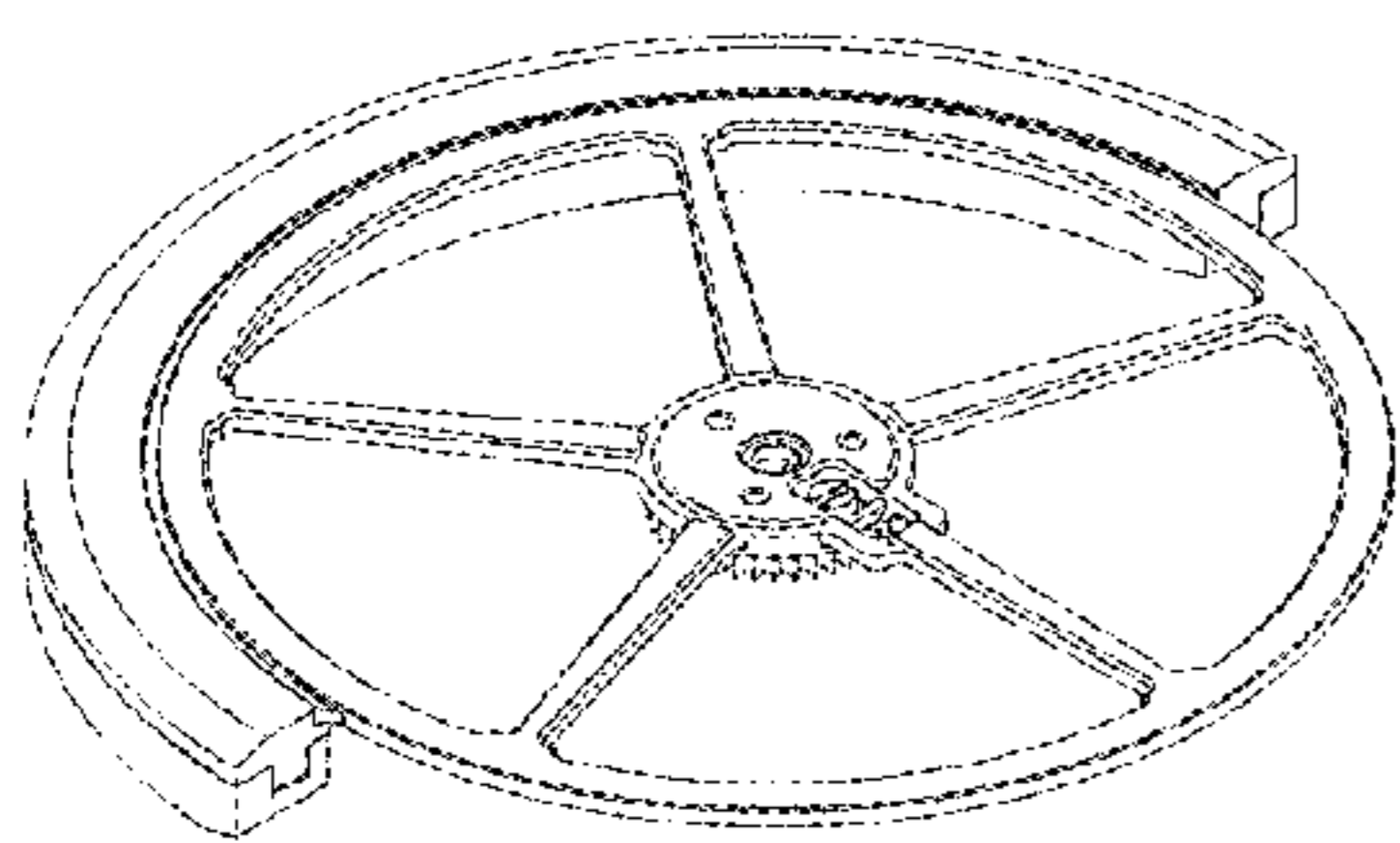


Fig. 7