



US00D772094S

(12) **United States Design Patent** (10) **Patent No.:** **US D772,094 S**  
**Kruska et al.** (45) **Date of Patent:** **\*\* Nov. 22, 2016**

(54) **ELECTRONIC ANIMAL CALL**  
(71) Applicant: **Hunters Specialties, Inc.**, Cedar Rapids, IA (US)  
(72) Inventors: **Jesse S Kruska**, Wallingford, CT (US); **Scott H. Smith**, Hartford, CT (US); **James Sener**, Glastonbury, CT (US)  
(73) Assignee: **Hunters Specialties, Inc.**, Cedar Rapids, IA (US)

D568,294 S \* 5/2008 Sawhney ..... D14/214  
D568,872 S \* 5/2008 Gonzalez ..... D14/214  
D570,827 S \* 6/2008 Azumi ..... D14/214  
D580,952 S \* 11/2008 Liu ..... D14/496  
D653,238 S \* 1/2012 Cheng ..... D14/214  
D715,766 S \* 10/2014 Osborn ..... D14/210  
D758,336 S \* 6/2016 Kelly ..... D14/204  
D761,230 S \* 7/2016 Si ..... D14/214  
2012/0321119 A1\* 12/2012 Cheng ..... H04R 1/02  
381/386  
2015/0096828 A1\* 4/2015 Fathollahi ..... H04R 1/023  
181/156  
2016/0198247 A1\* 7/2016 Cheney ..... H04R 1/02  
381/334

(\*\*) Term: **15 Years**

\* cited by examiner

(21) Appl. No.: **29/547,404**

*Primary Examiner* — George D Kirschbaum

(22) Filed: **Dec. 3, 2015**

*Assistant Examiner* — Joseph Kukella

(51) **LOC (10) Cl.** ..... **10-05**

(74) *Attorney, Agent, or Firm* — Nyemaster Goode, P.C.

(52) **U.S. Cl.**  
USPC ..... **D10/119.1**

(57) **CLAIM**

(58) **Field of Classification Search**  
USPC ..... D10/119.1, 119.2; D22/199; D14/204,  
D14/214; 446/202–209, 416  
CPC ..... A01M 31/004; A63H 5/00; G10D 9/00;  
H04R 1/02; H04R 1/021  
See application file for complete search history.

The ornamental design for an electronic animal call, as shown and described.

**DESCRIPTION**

(56) **References Cited**

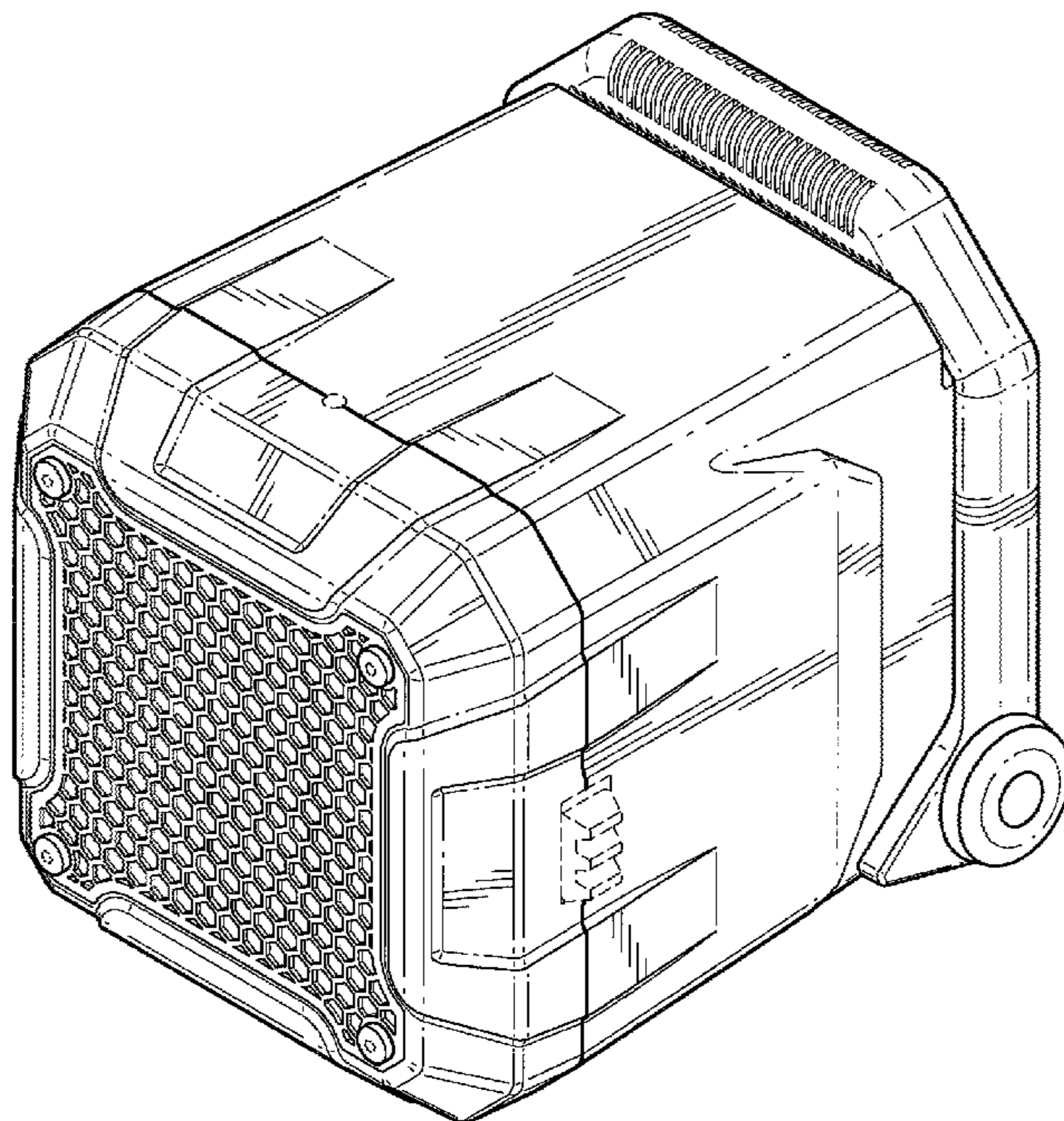
U.S. PATENT DOCUMENTS

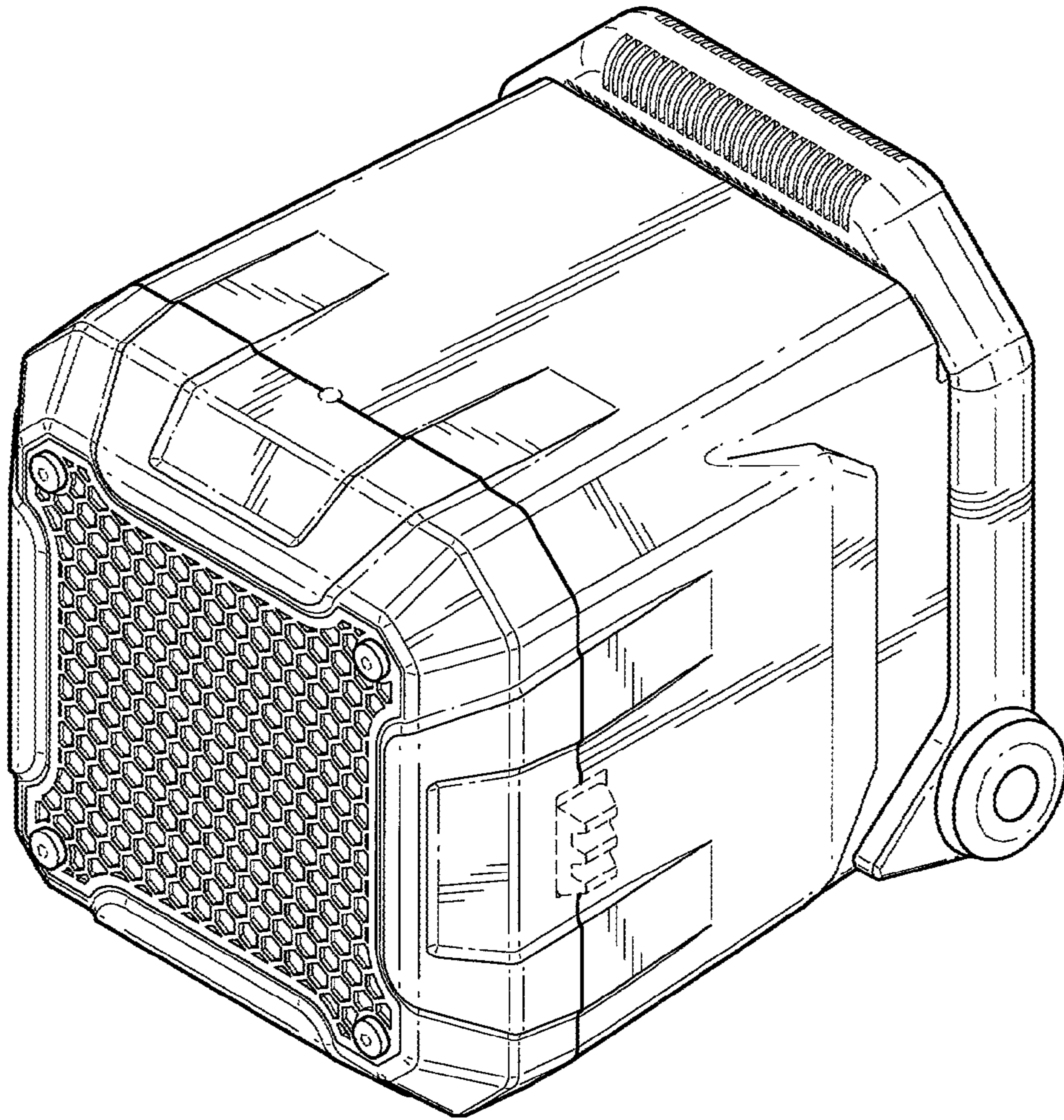
D387,764 S \* 12/1997 Ross, Sr. .... D14/214  
D470,127 S \* 2/2003 Inoue ..... D14/214  
D486,816 S \* 2/2004 Nakajima ..... D14/169  
D552,127 S \* 10/2007 Song ..... D14/496  
D557,256 S \* 12/2007 Joseph ..... D14/214  
D566,690 S \* 4/2008 Ching ..... D14/214

FIG. 1 is a perspective view of the electronic animal call; FIG. 2 is a front view of the electronic animal call; FIG. 3 is a rear view of the electronic animal call; FIG. 4 is a first side view of the electronic animal call; FIG. 5 is a second side view of the electronic animal call; FIG. 6 is a top view of the electronic animal call; and, FIG. 7 is a bottom view of the electronic animal call.

The broken lines in the drawings depict portions of the electronic animal call that form no part of the claimed design.

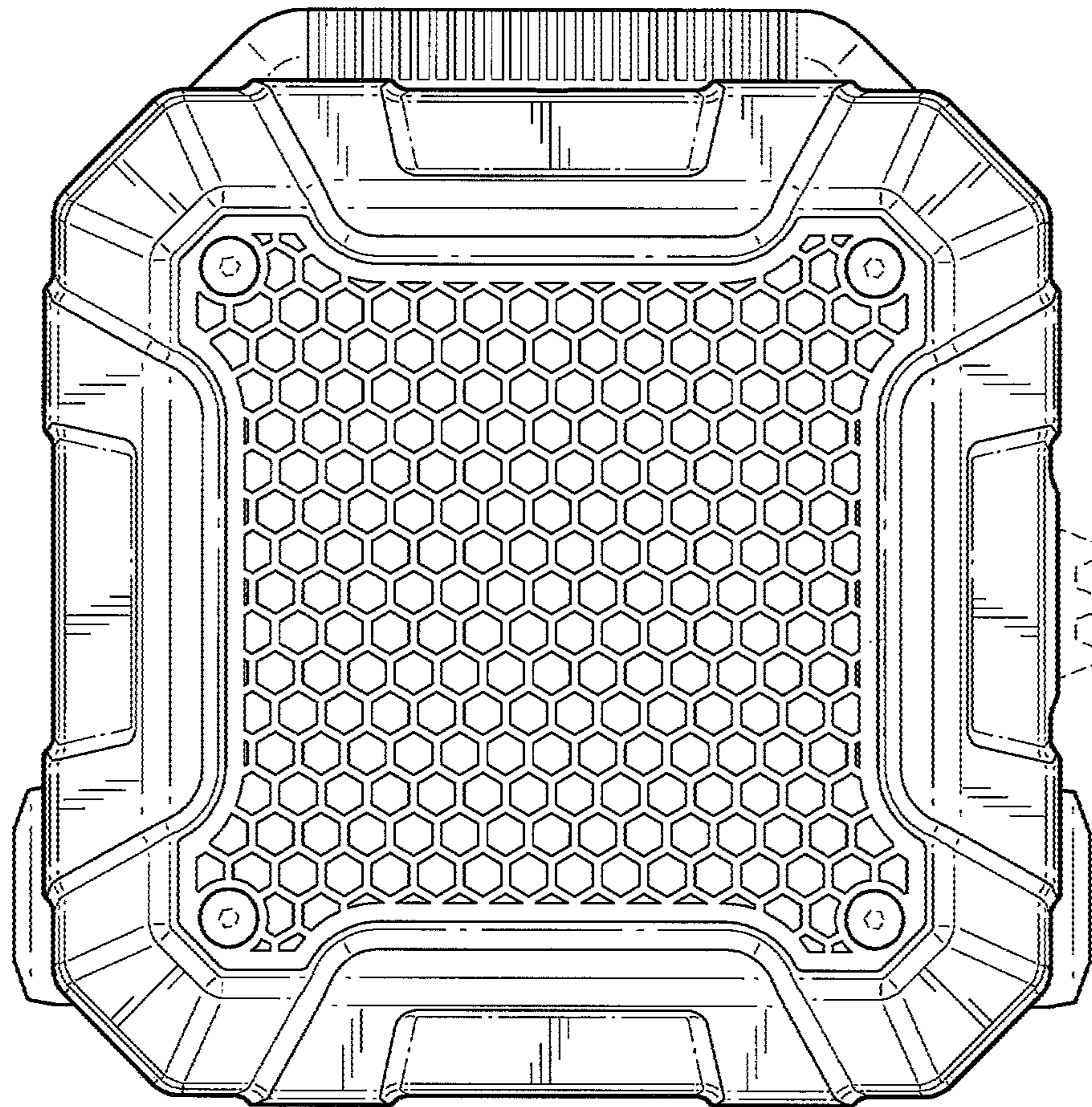
**1 Claim, 7 Drawing Sheets**



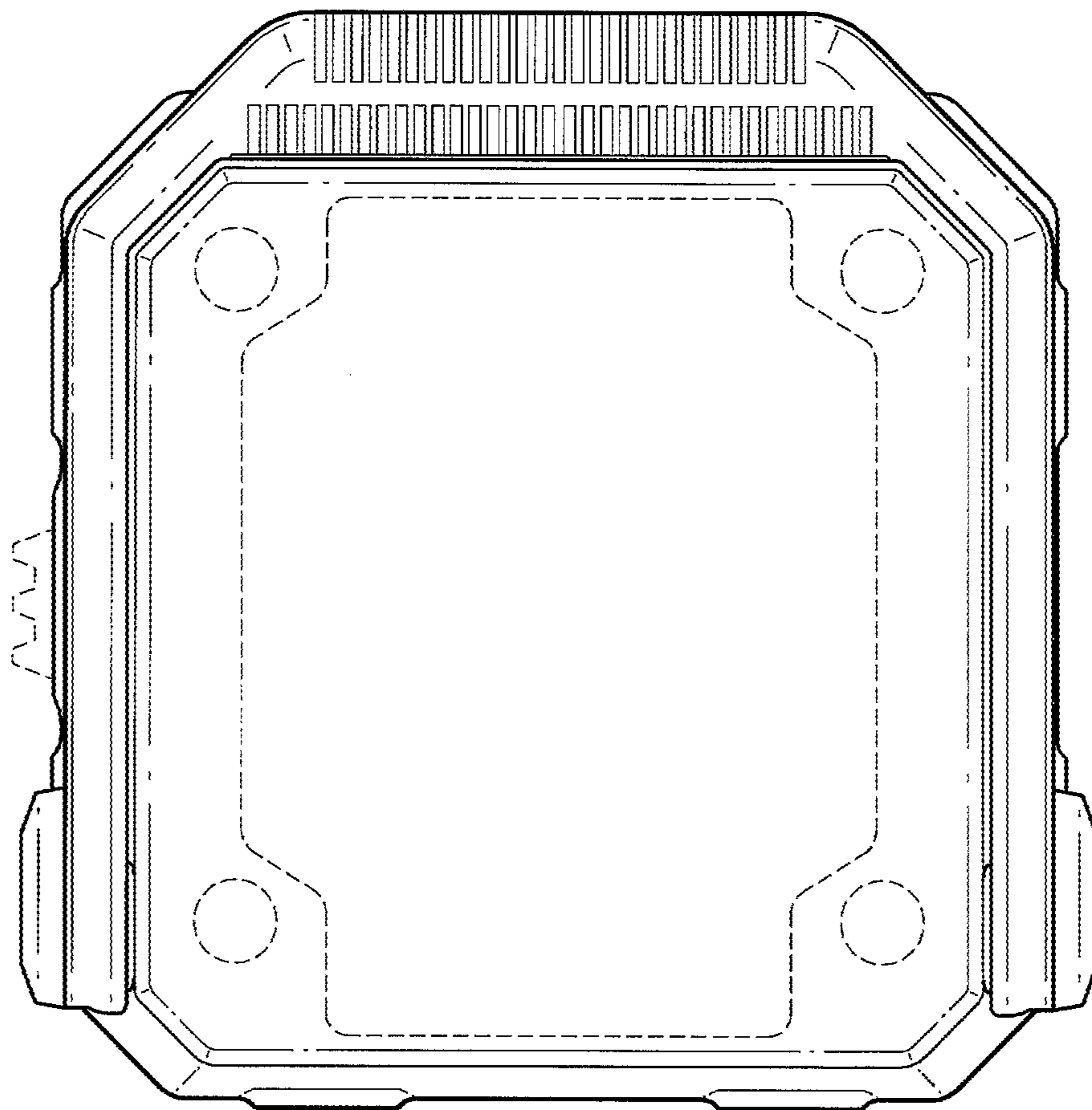


**FIG. 1**

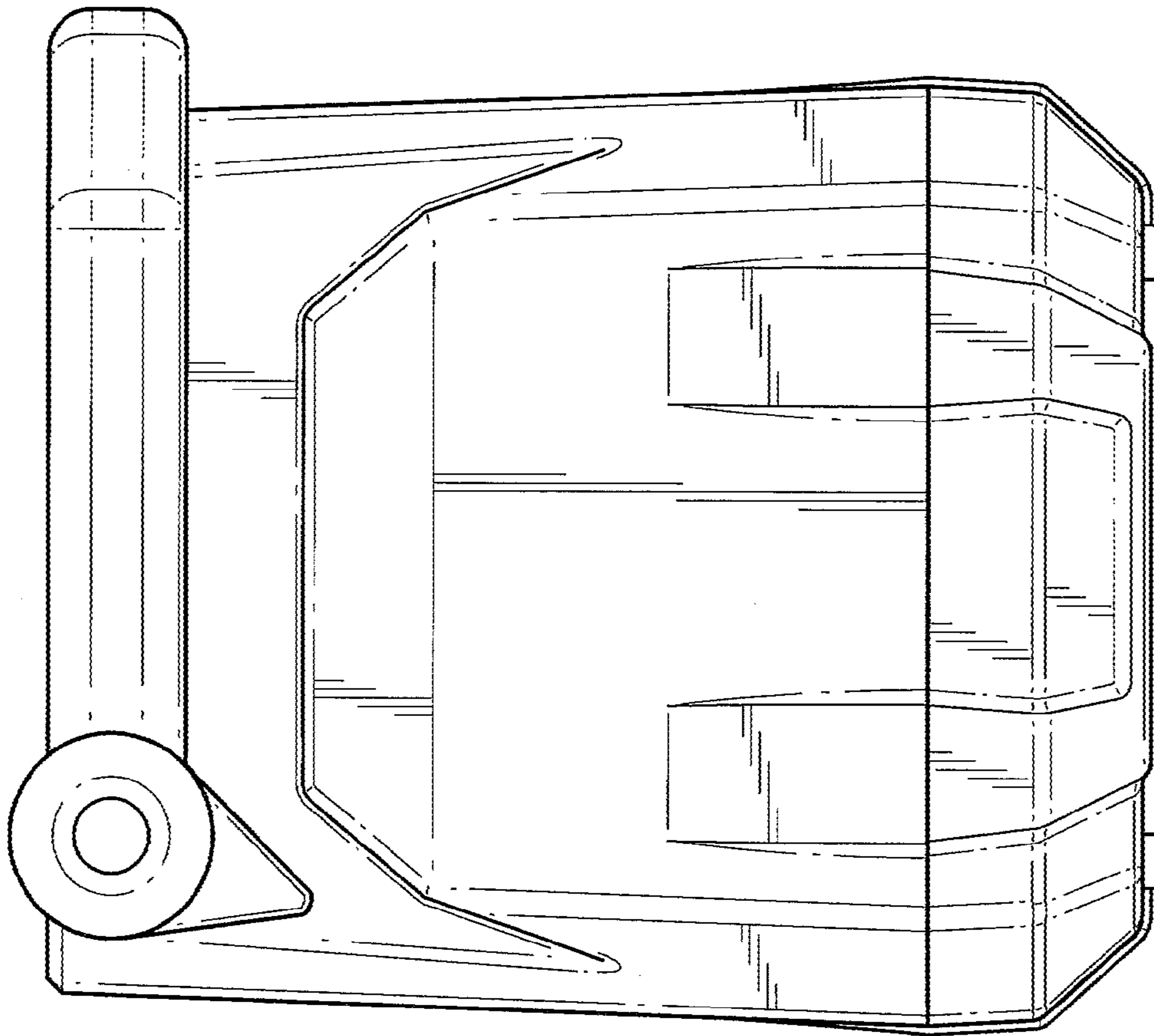




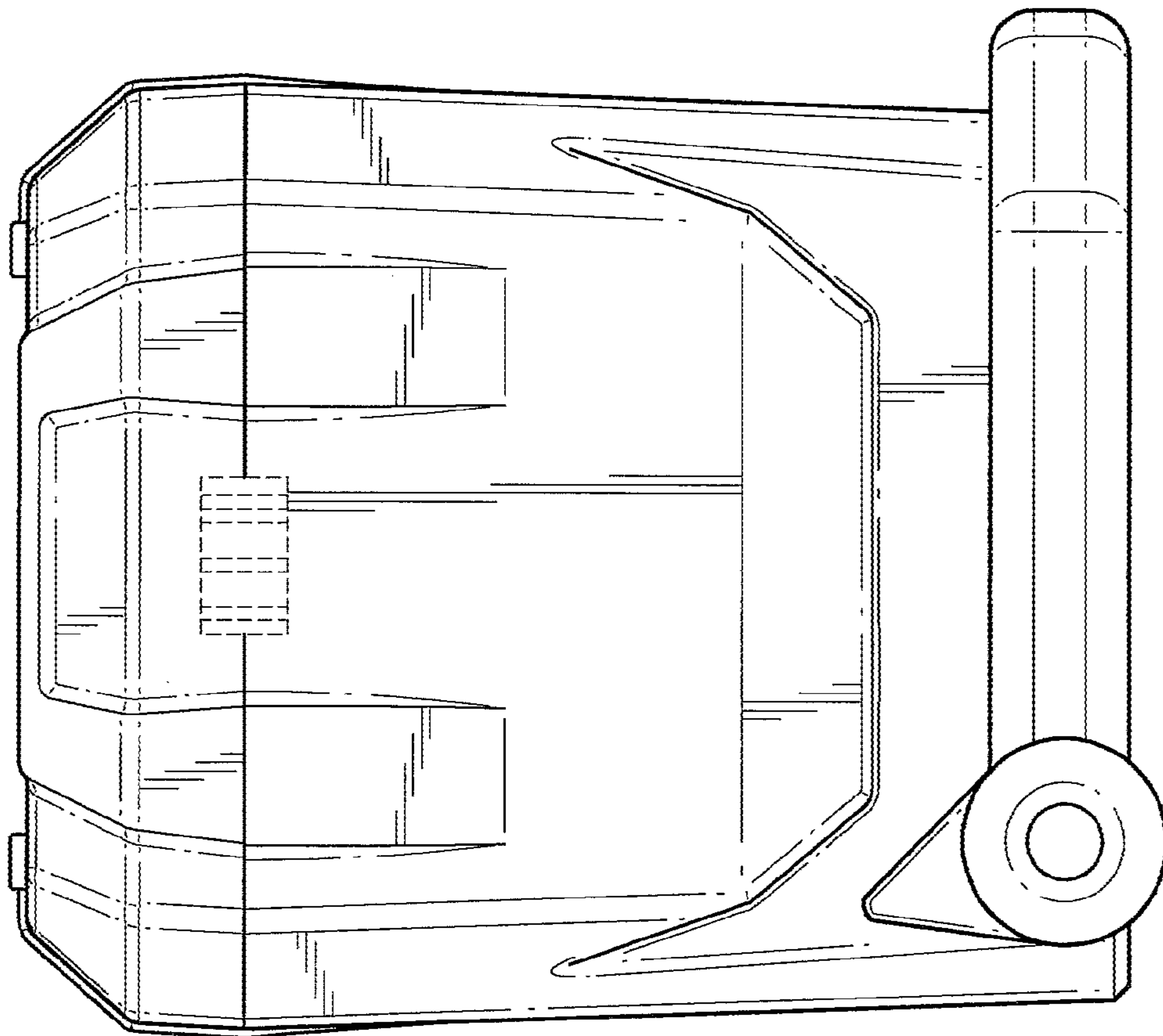
**FIG. 2**



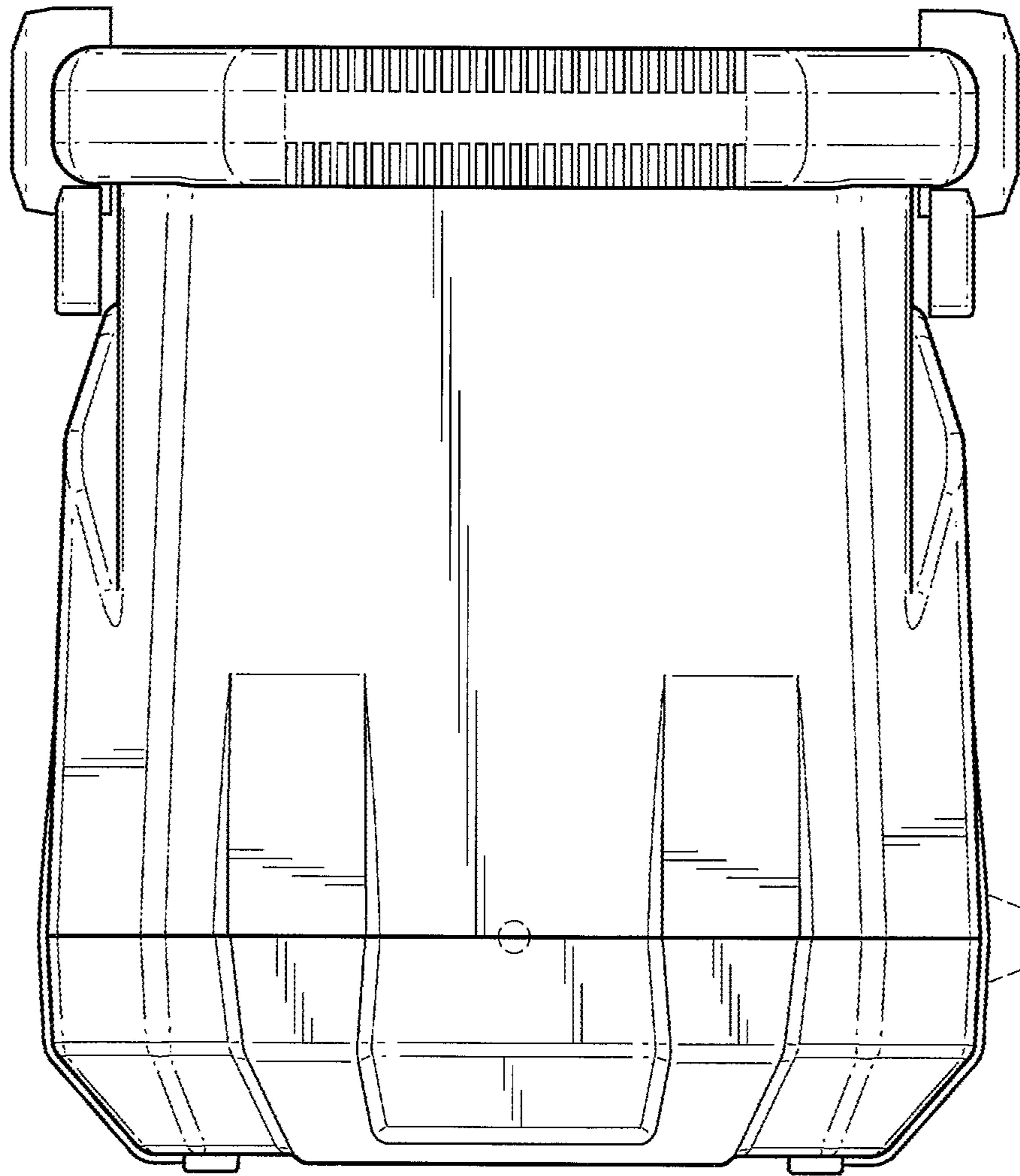
**FIG. 3**



**FIG. 4**

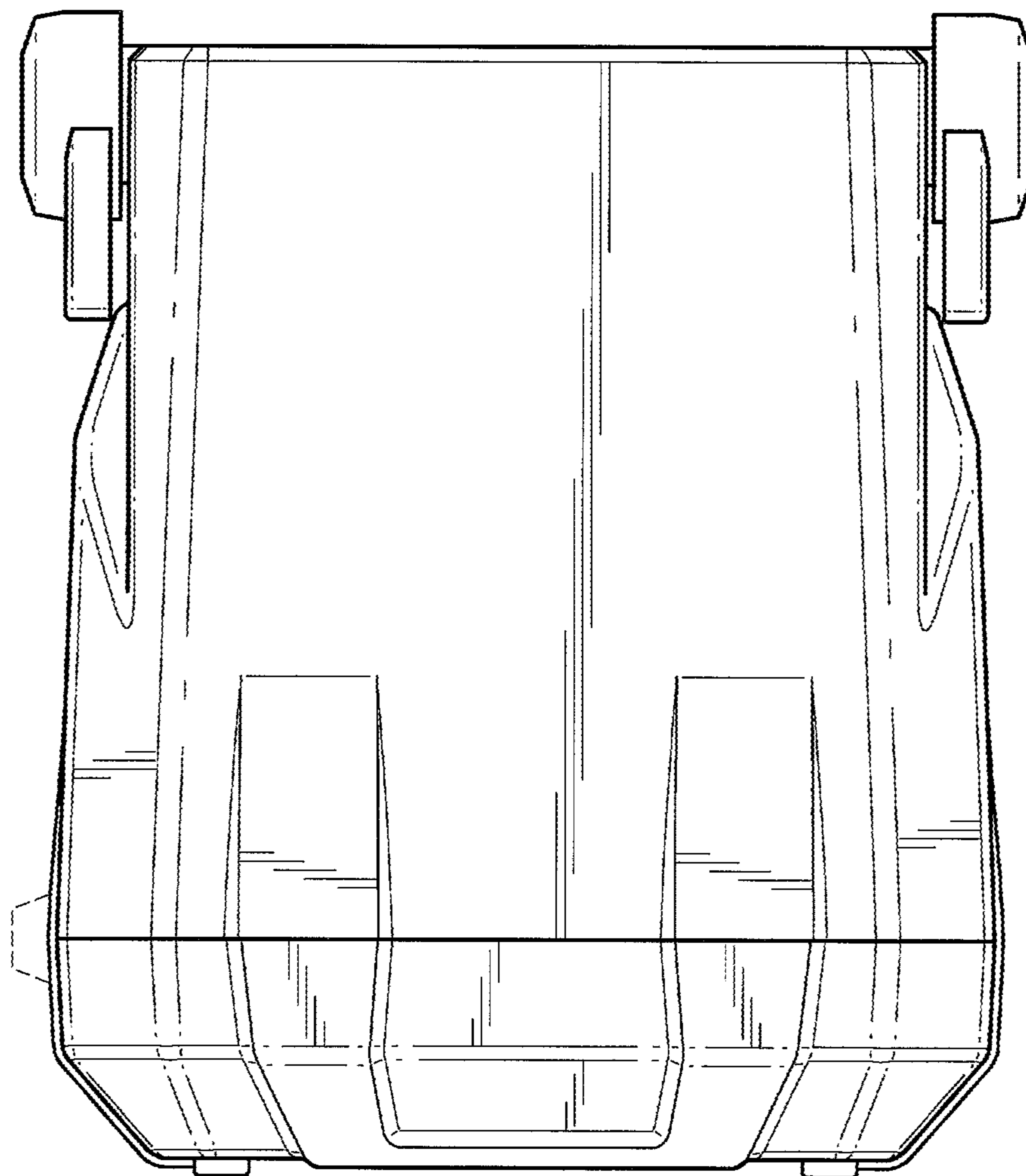


**FIG. 5**



**FIG. 6**





**FIG. 7**