

US00D772093S

(12) **United States Design Patent**
Kruska et al.

(10) **Patent No.:** **US D772,093 S**

(45) **Date of Patent:** **** Nov. 22, 2016**

(54) **ELECTRONIC ANIMAL CALL**

(71) Applicant: **Hunters Specialties, Inc.**, Cedar Rapids, IA (US)

(72) Inventors: **Jesse S. Kruska**, Wallingford, CT (US);
Scott H. Smith, Hartford, CT (US);
James Sener, Glastonbury, CT (US);
Christopher D. Hageman, Glastonbury, CT (US)

(73) Assignee: **Hunters Specialties, Inc.**, Cedar Rapids, IA (US)

(**) Term: **15 Years**

(21) Appl. No.: **29/546,630**

(22) Filed: **Nov. 24, 2015**

(51) **LOC (10) Cl.** **10-05**

(52) **U.S. Cl.**
USPC **D10/119.1**

(58) **Field of Classification Search**
USPC D10/119.1, 116.1; D14/214, 204
CPC G10K 9/04
See application file for complete search history.

(56) **References Cited**

U.S. PATENT DOCUMENTS

5,964,054 A * 10/1999 Galfidi, Jr. G10K 9/04
42/90
D630,539 S * 1/2011 Barley D10/119.1

D636,759 S * 4/2011 Chen D14/214
D641,273 S * 7/2011 Barley D10/119.1
D641,275 S * 7/2011 Barley D10/119.1
D700,099 S * 2/2014 Barley D10/119.1
D753,093 S * 4/2016 Garfio D14/214

* cited by examiner

Primary Examiner — George D Kirschbaum

(74) *Attorney, Agent, or Firm* — Nyemaster Goode, P.C.

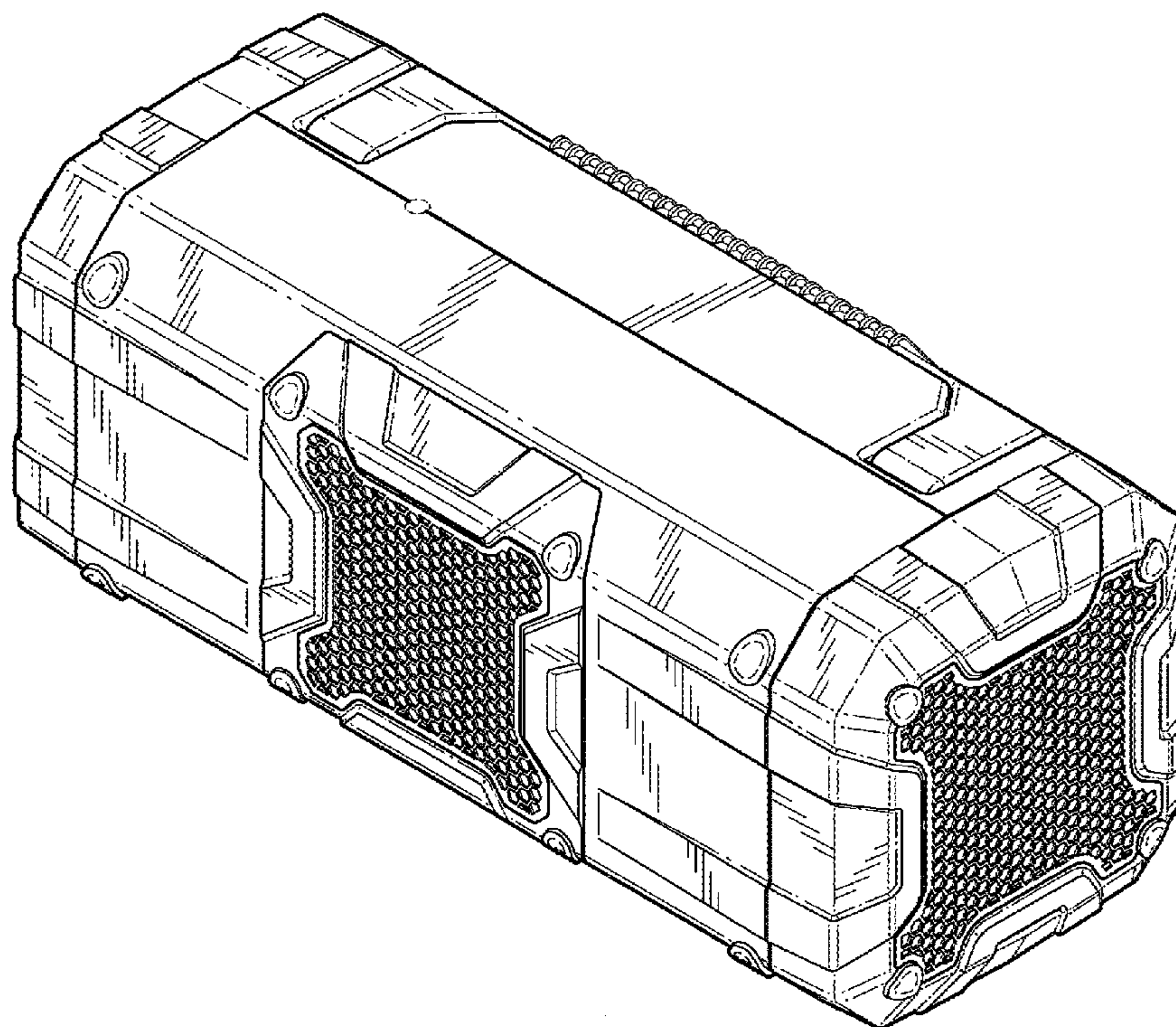
(57) **CLAIM**

The ornamental design for an electronic animal call, as shown and described.

DESCRIPTION

FIG. 1 is a front perspective view of the electronic animal call;
FIG. 2 is a rear perspective view of the electronic animal call;
FIG. 3 is a front view of the electronic animal call;
FIG. 4 is a top view of the electronic animal call;
FIG. 5 is a rear view of the electronic animal call;
FIG. 6 is a bottom view of the electronic animal call; and,
FIG. 7 is a side view of the electronic animal call.
The broken lines in the drawings depict portions of the electronic animal call that form no part of the claimed design.

1 Claim, 7 Drawing Sheets



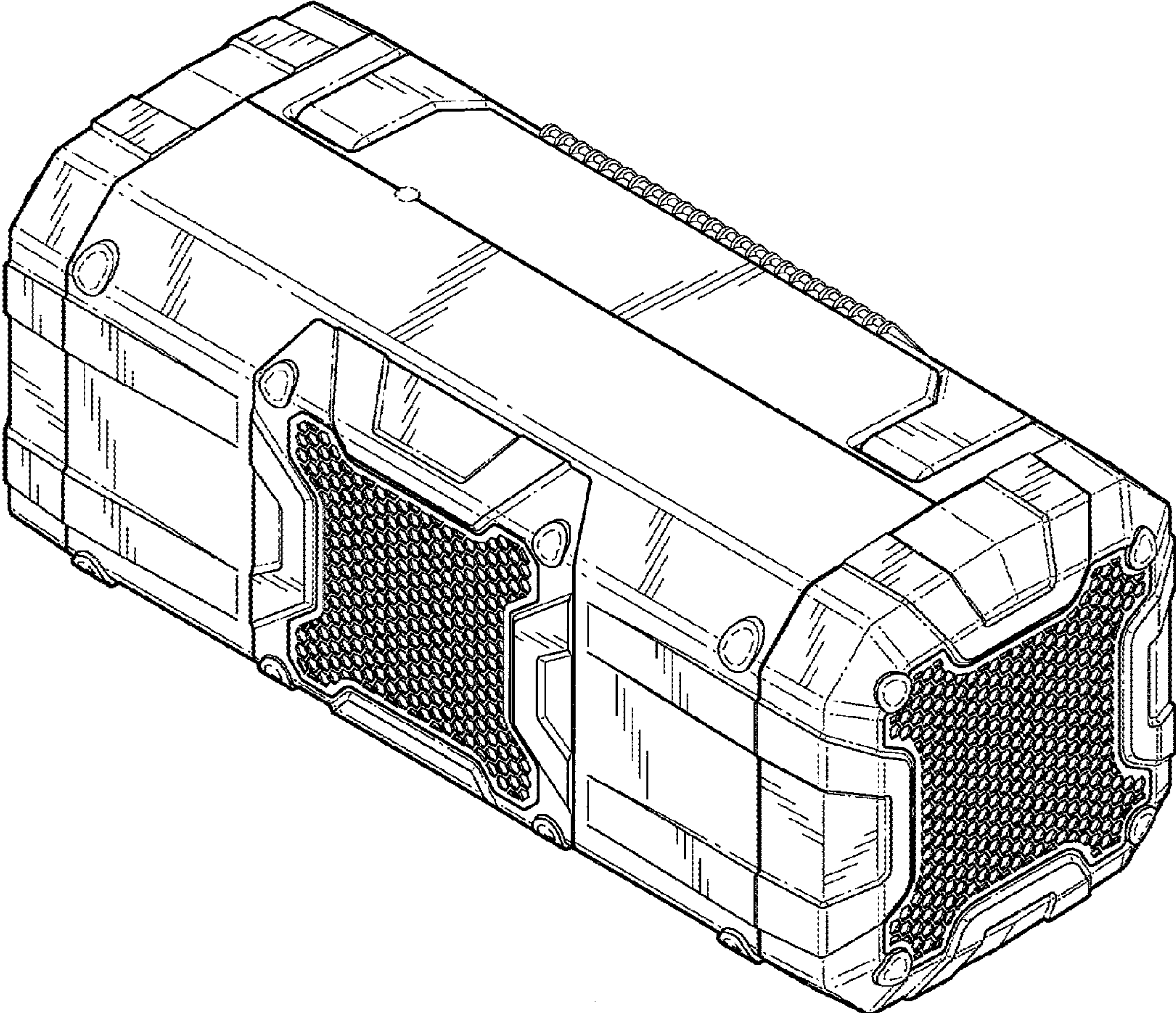


FIG. 1

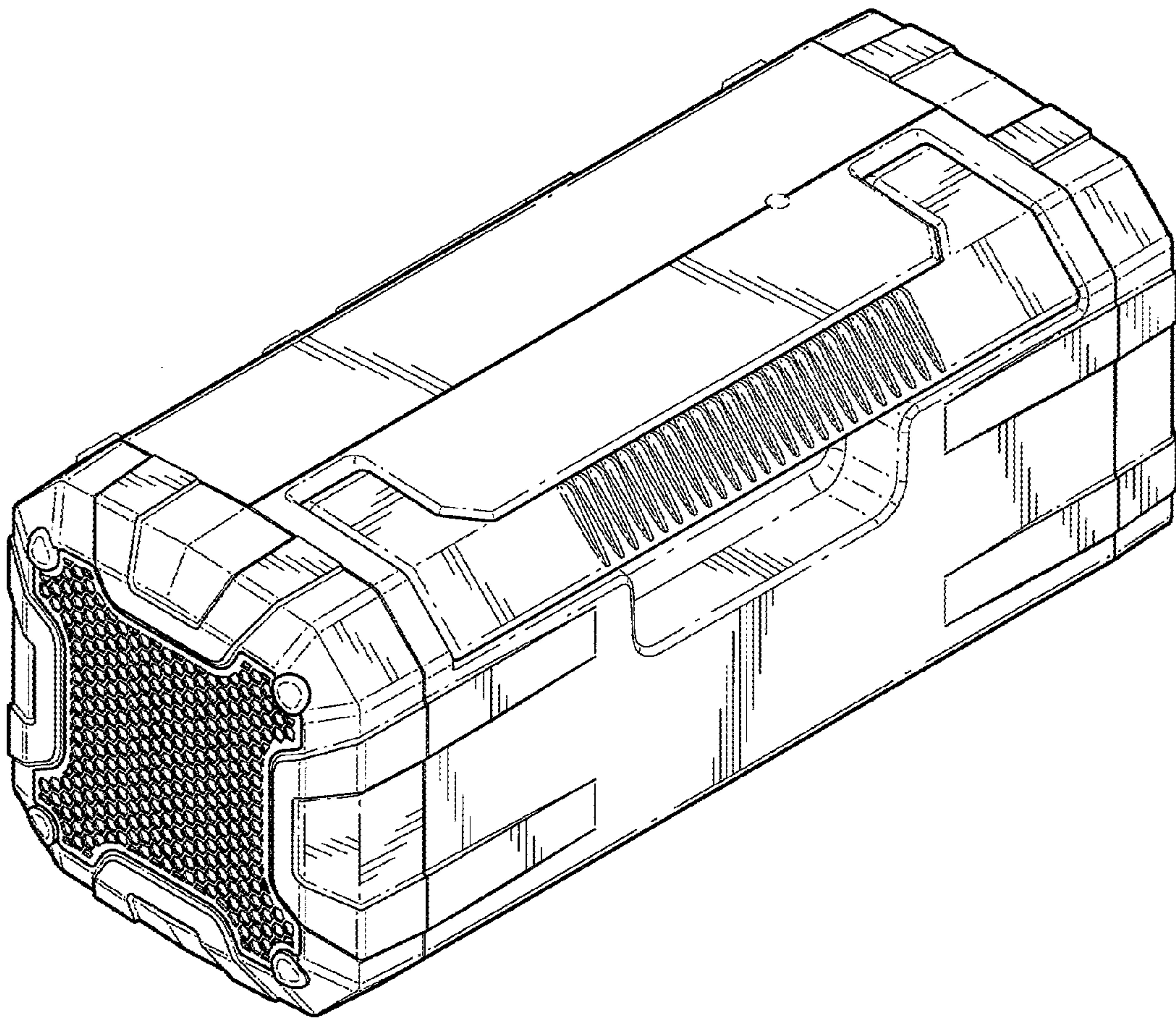


FIG. 2

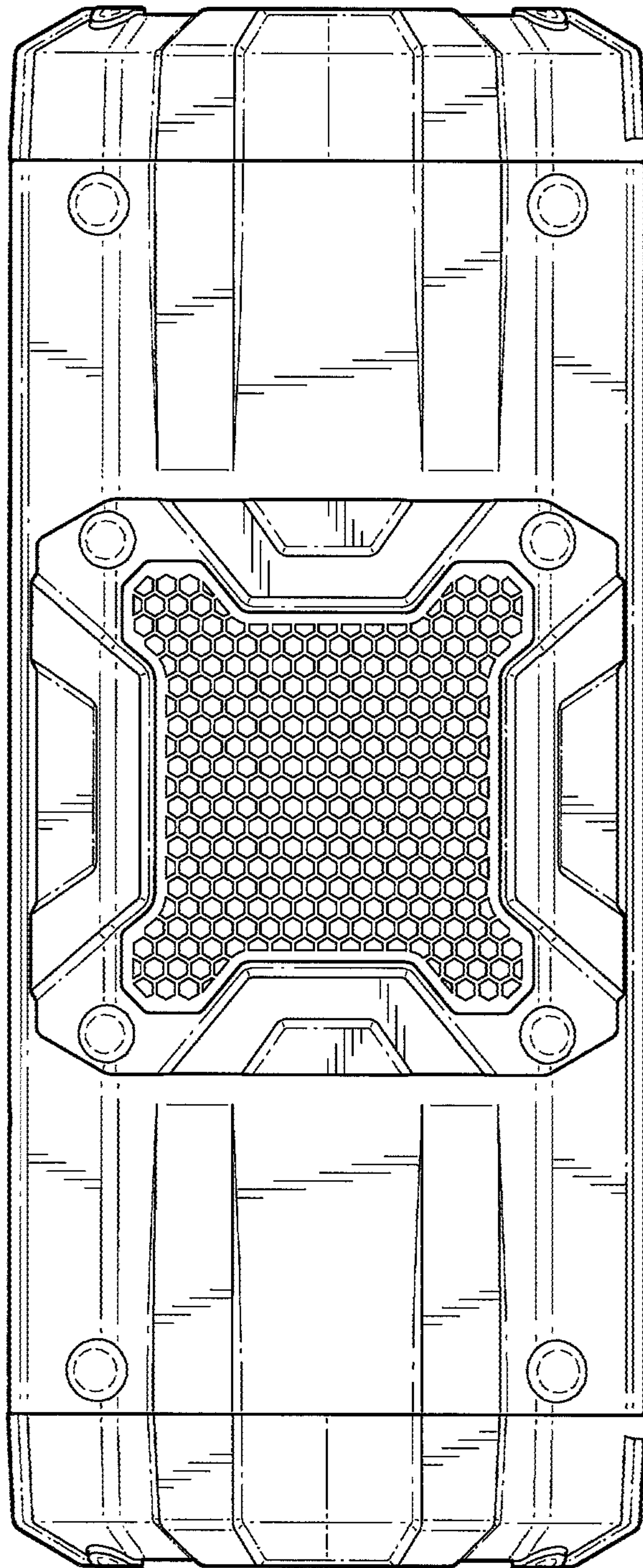


FIG. 3

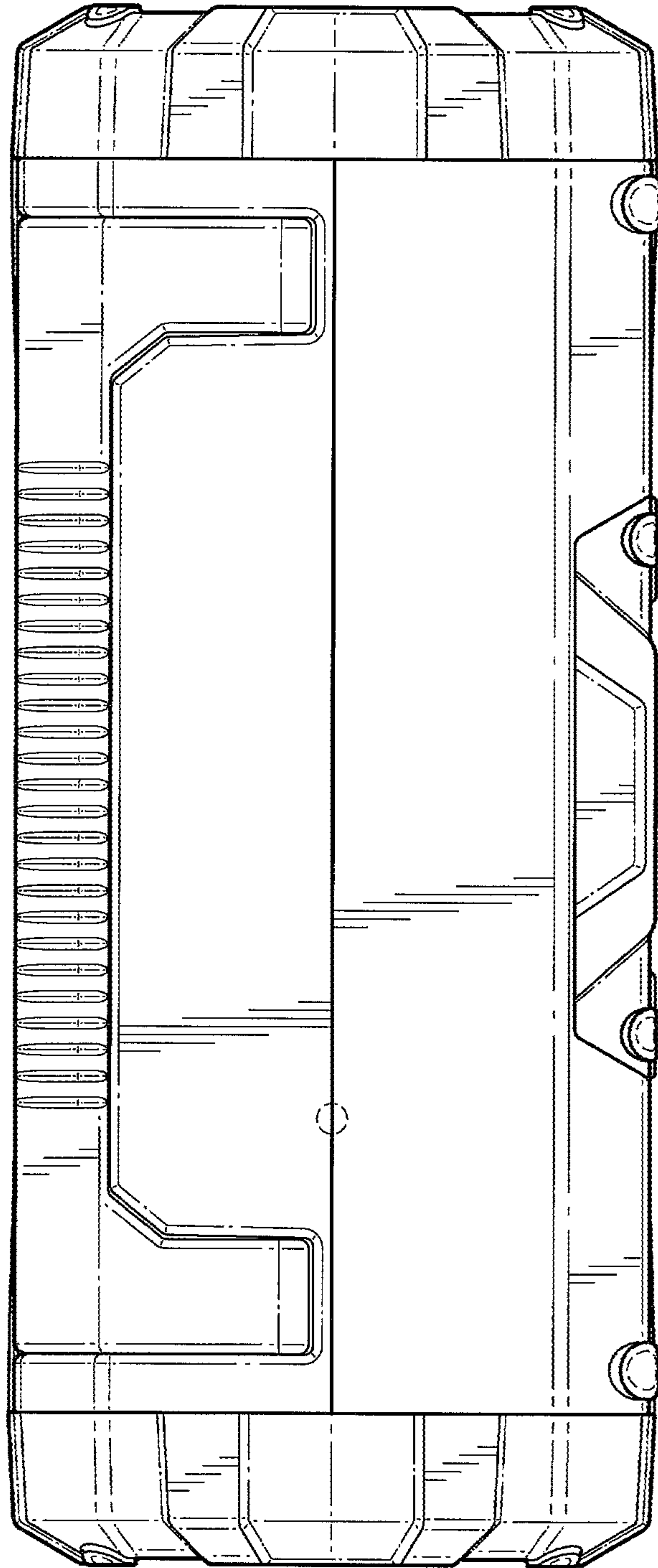


FIG. 4

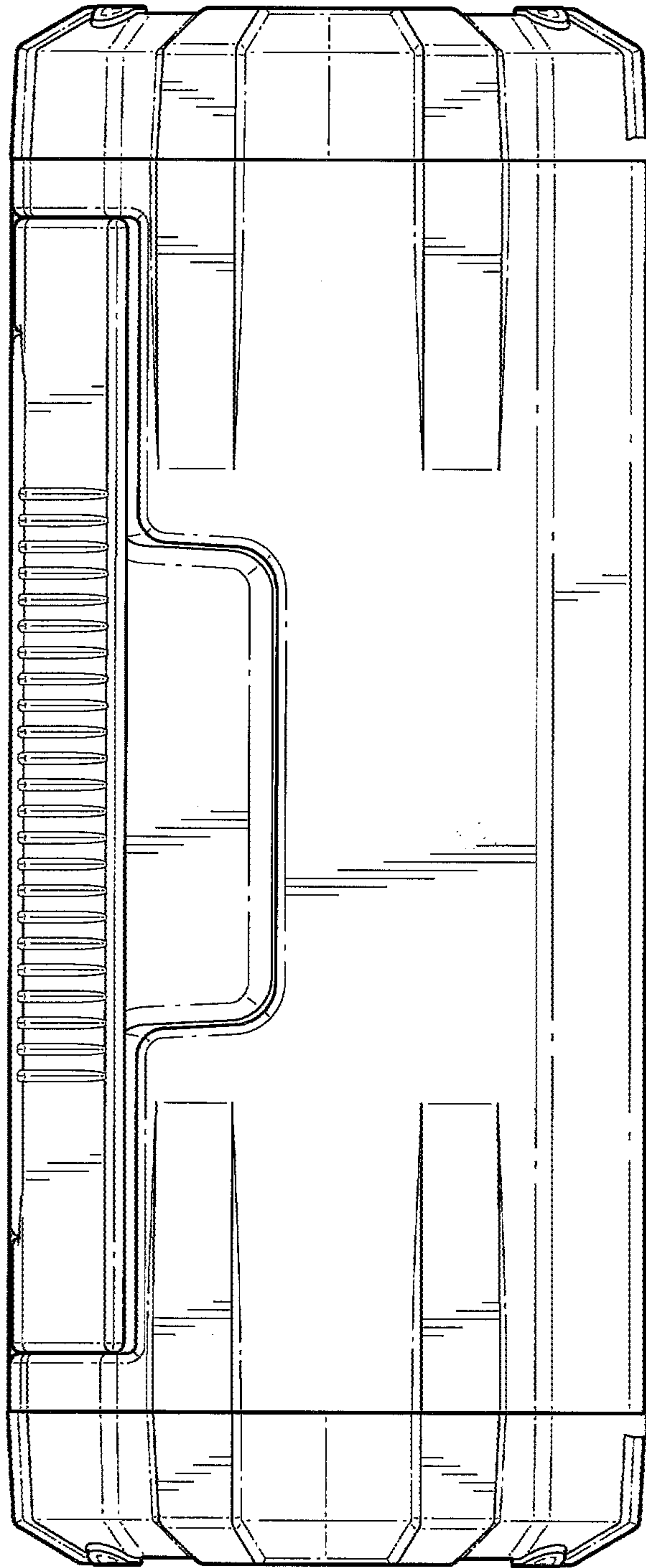


FIG. 5

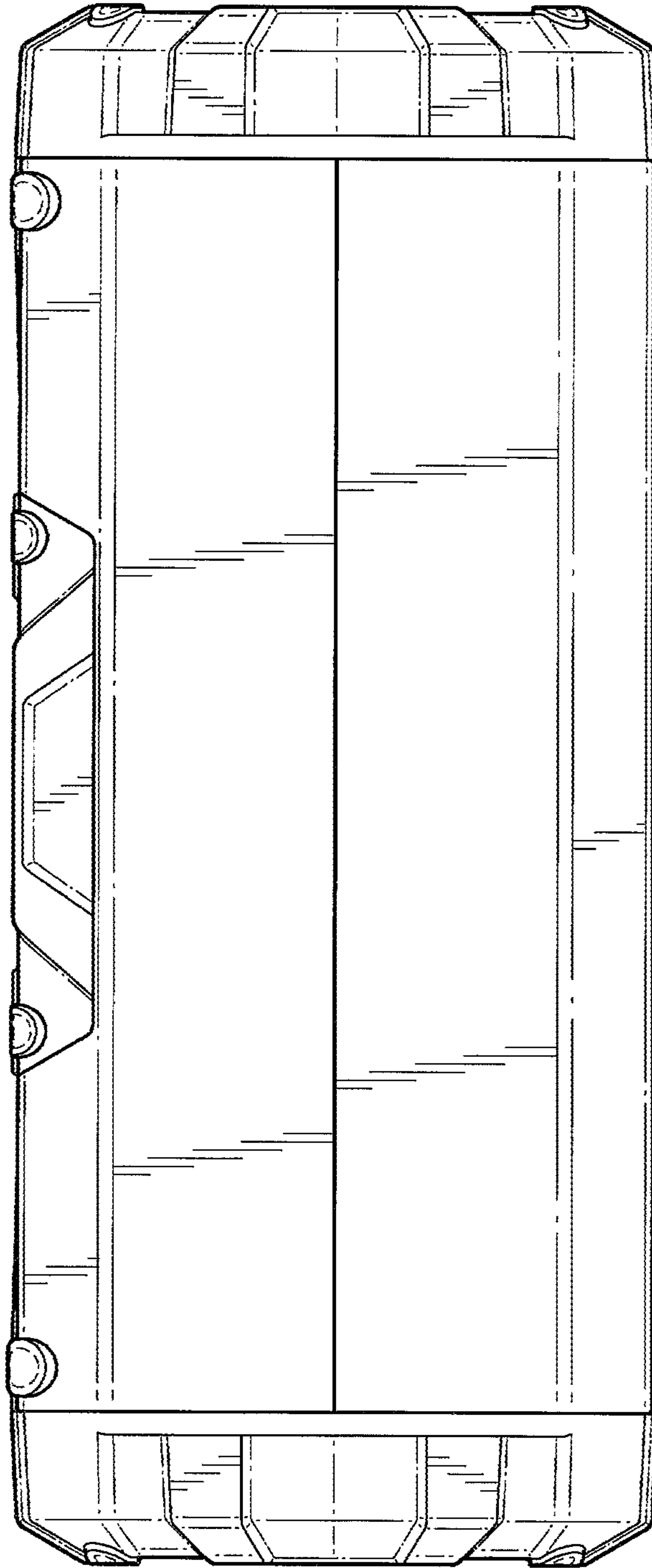


FIG. 6

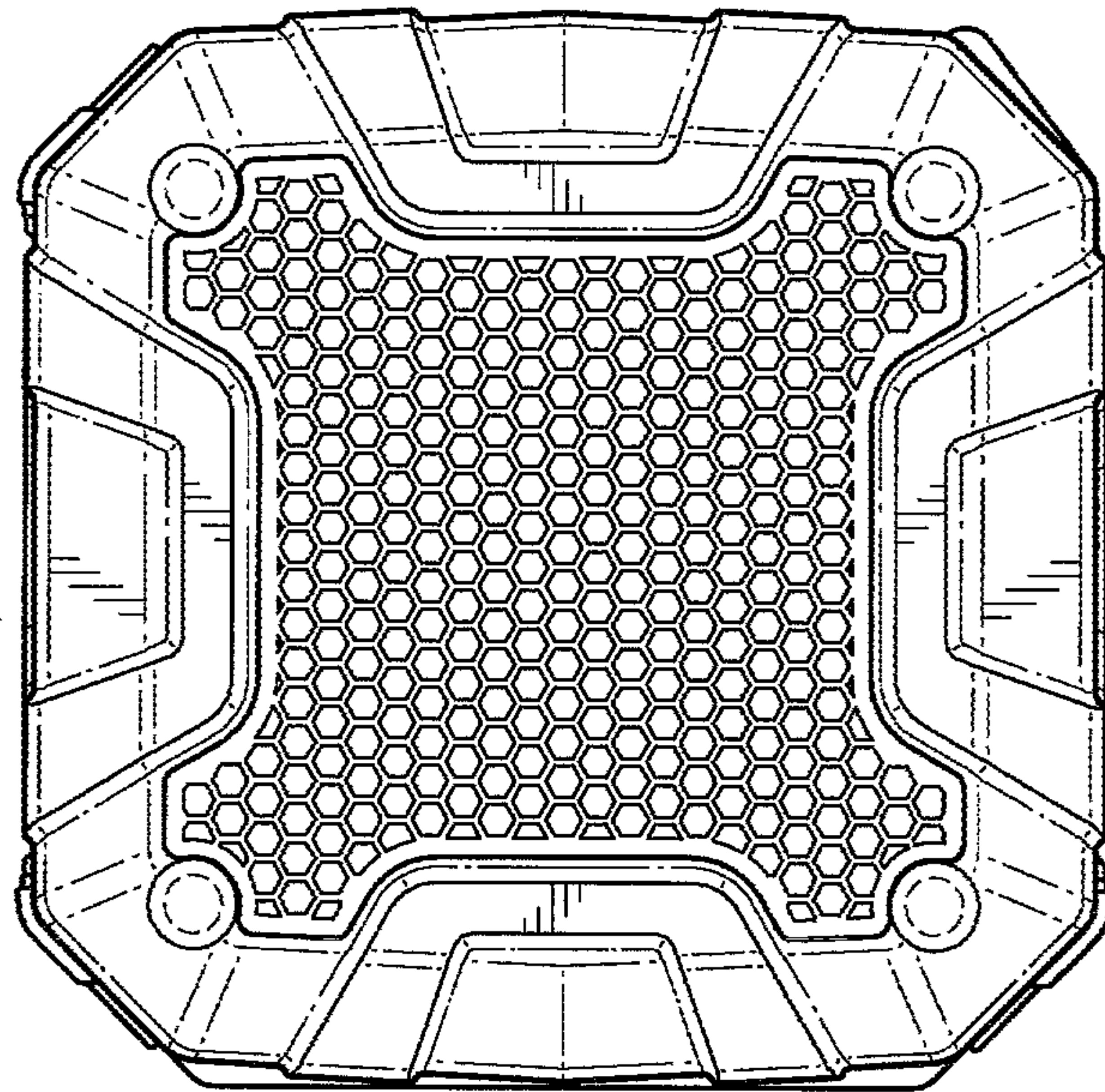


FIG. 7