



US00D772092S

(12) **United States Design Patent**
Hageman et al.

(10) **Patent No.:** **US D772,092 S**

(45) **Date of Patent:** **** Nov. 22, 2016**

(54) **ELECTRONIC ANIMAL CALL**

(71) Applicant: **Hunters Specialties, Inc.**, Cedar Rapids, IA (US)

(72) Inventors: **Christopher D. Hageman**, Glastonbury, CT (US); **Scott H. Smith**, Hartford, CT (US); **James Sener**, Glastonbury, CT (US)

(73) Assignee: **Hunters Specialties, Inc.**, Cedar Rapids, IA (US)

(**) Term: **15 Years**

(21) Appl. No.: **29/546,620**

(22) Filed: **Nov. 24, 2015**

(51) **LOC (10) Cl.** **10-05**

(52) **U.S. Cl.**
USPC **D10/119.1**

(58) **Field of Classification Search**
USPC D10/119.1, 116.1; D14/214, 204
CPC G10K 9/04
See application file for complete search history.

(56) **References Cited**

U.S. PATENT DOCUMENTS

- 5,964,054 A * 10/1999 Galfidi, Jr. G10K 9/04 42/90
- D630,539 S * 1/2011 Barley D10/119.1

- D641,273 S * 7/2011 Barley D10/119.1
- D641,275 S * 7/2011 Barley D10/119.1
- D695,710 S * 12/2013 Szymanski D14/214
- D700,099 S * 2/2014 Barley D10/119.1
- D753,094 S * 4/2016 Holzer D14/214
- D758,336 S * 6/2016 Kelly D14/204
- D763,819 S * 8/2016 Silvera D14/204

* cited by examiner

Primary Examiner — George D Kirschbaum

(74) *Attorney, Agent, or Firm* — Nyemaster Goode, P.C.

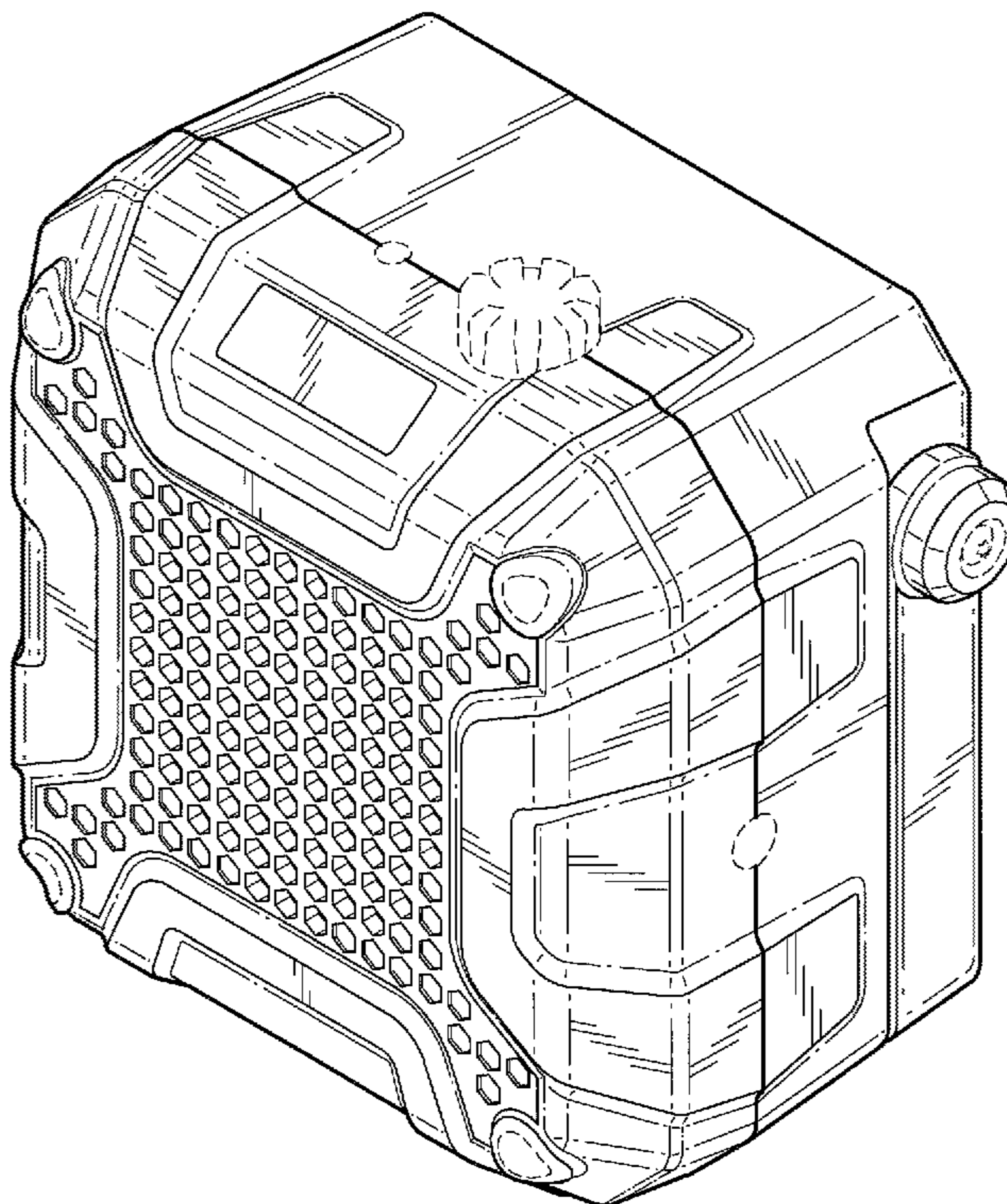
(57) **CLAIM**

The ornamental design for an electronic animal call, as shown and described.

DESCRIPTION

FIG. 1 is a perspective view of the electronic animal call; FIG. 2 is a front view of the electronic animal call; FIG. 3 is a back view of the electronic animal call; FIG. 4 is a side view of the electronic animal call; FIG. 5 is a top view of the electronic animal call; and, FIG. 6 is a bottom view of the electronic animal call. The broken lines in the drawings depict portions of the electronic animal call that form no part of the claimed design.

1 Claim, 5 Drawing Sheets



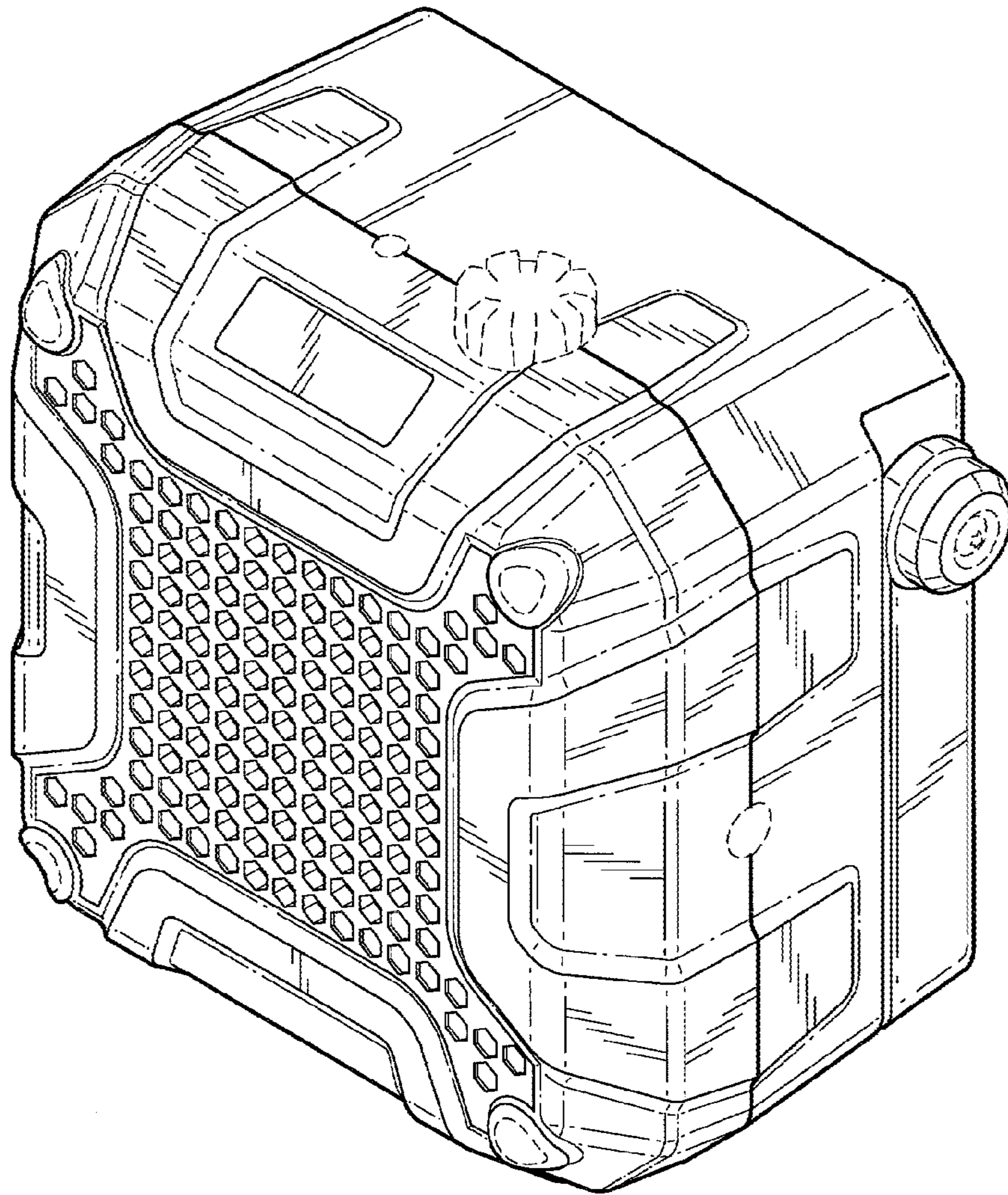


FIG. 1

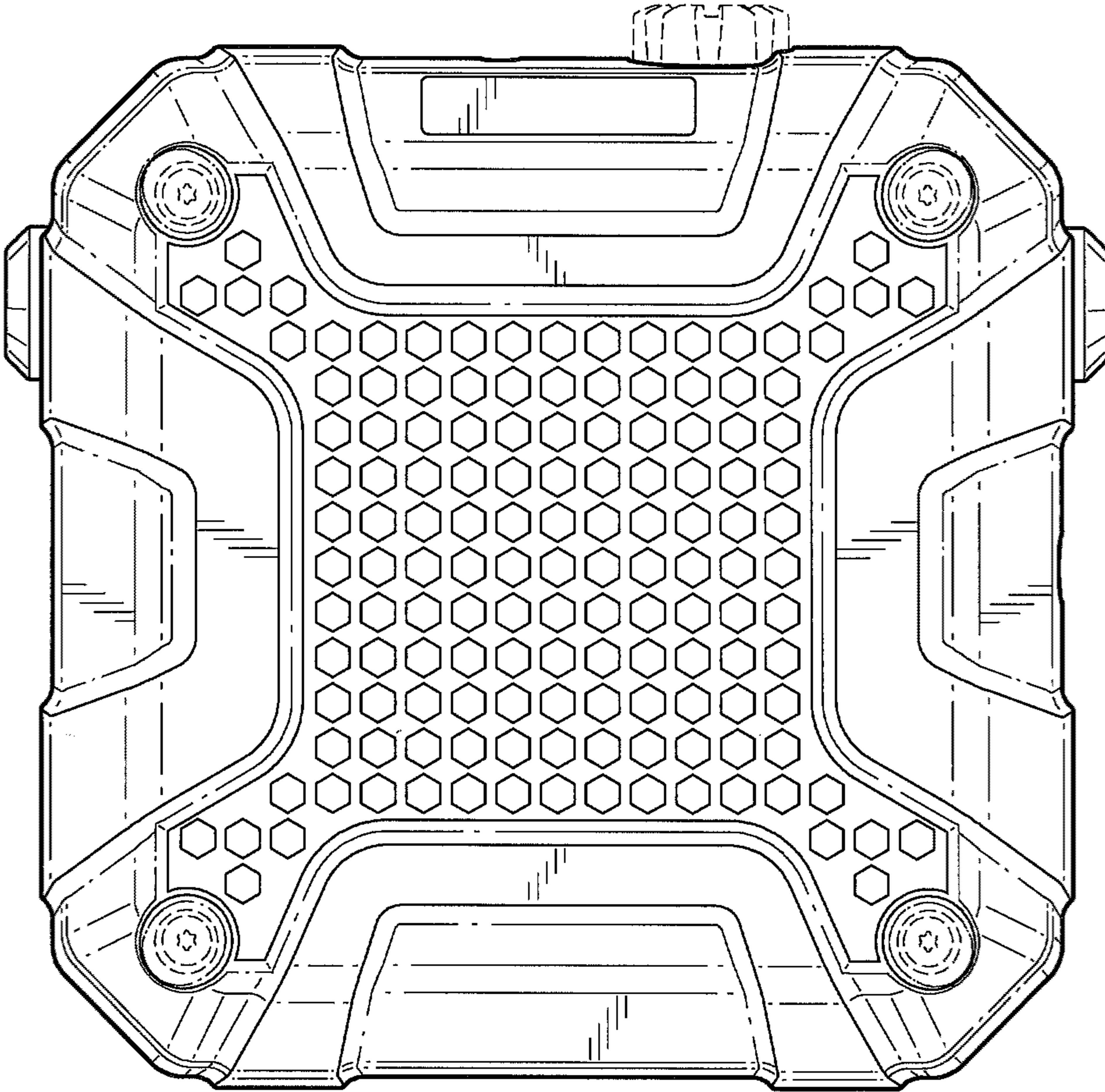


FIG. 2

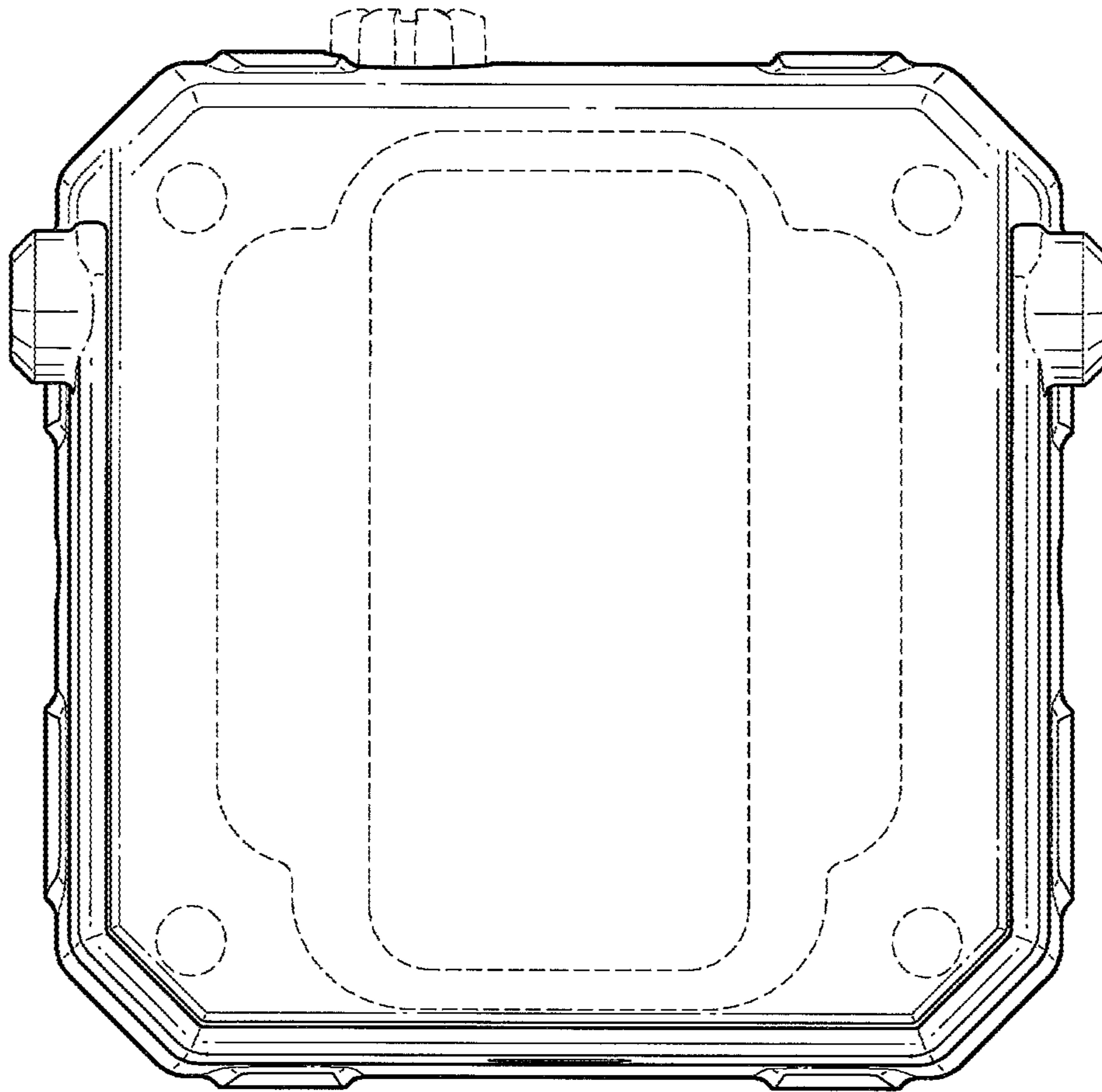


FIG. 3

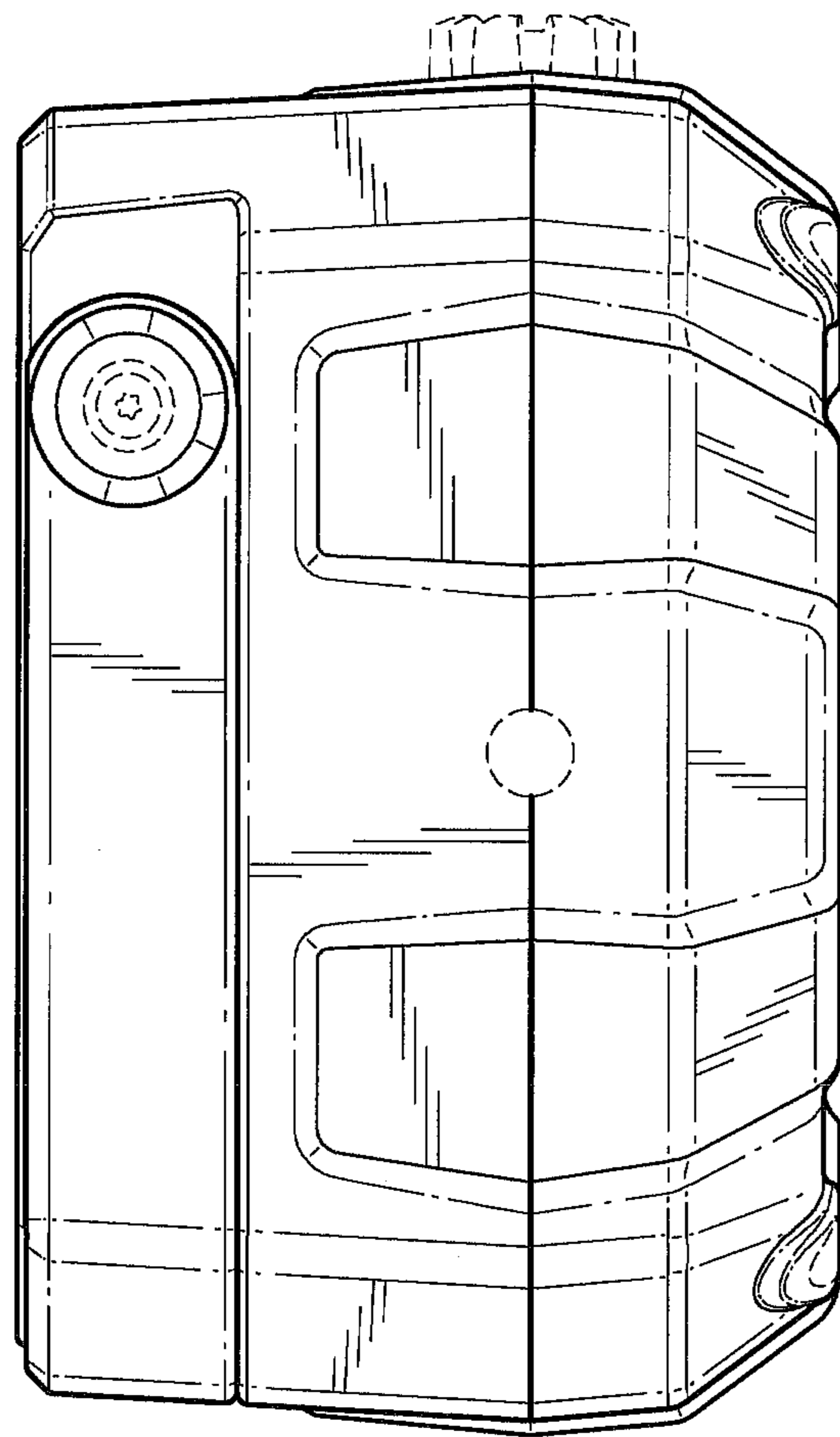


FIG. 4

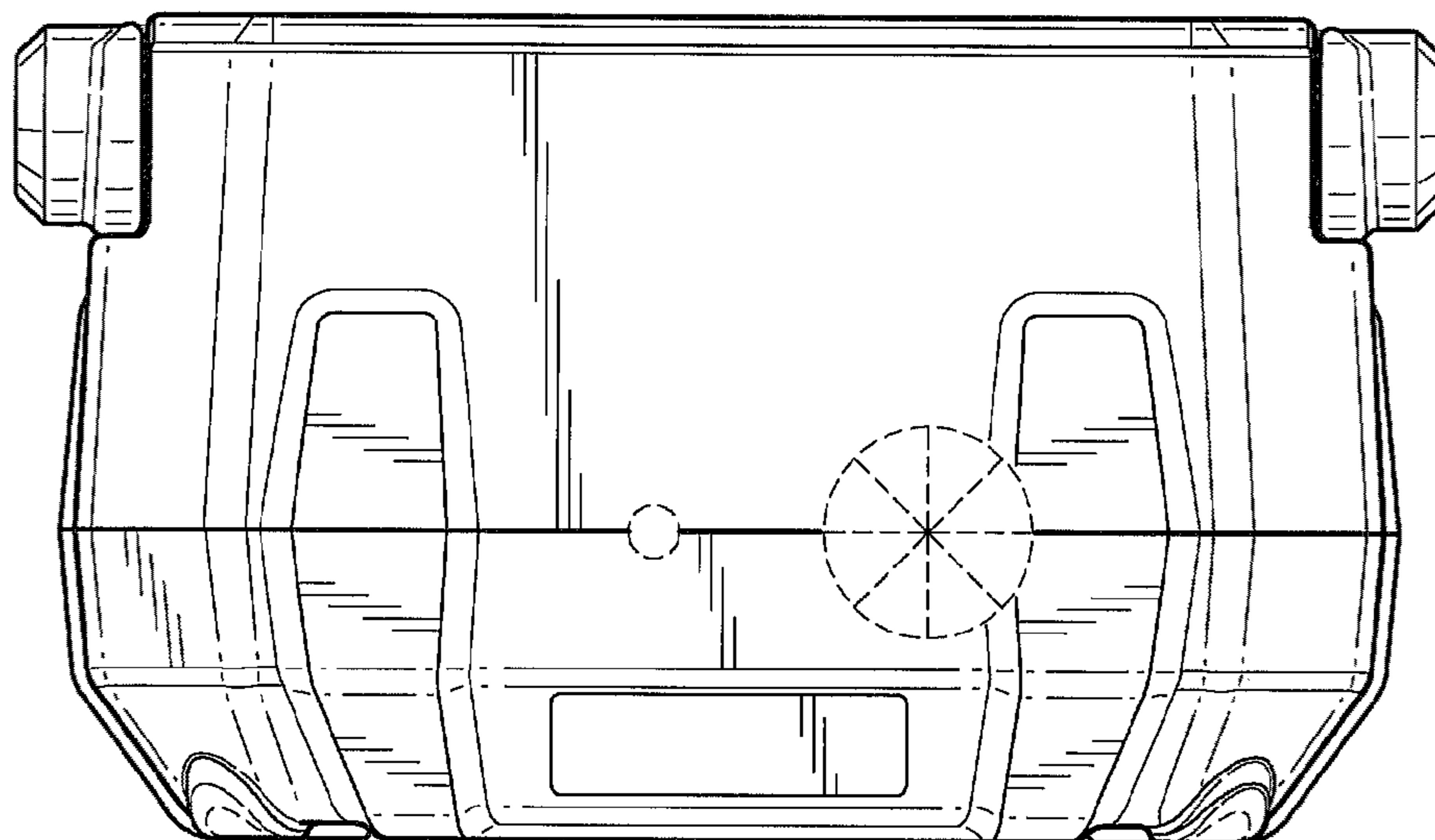


FIG. 5

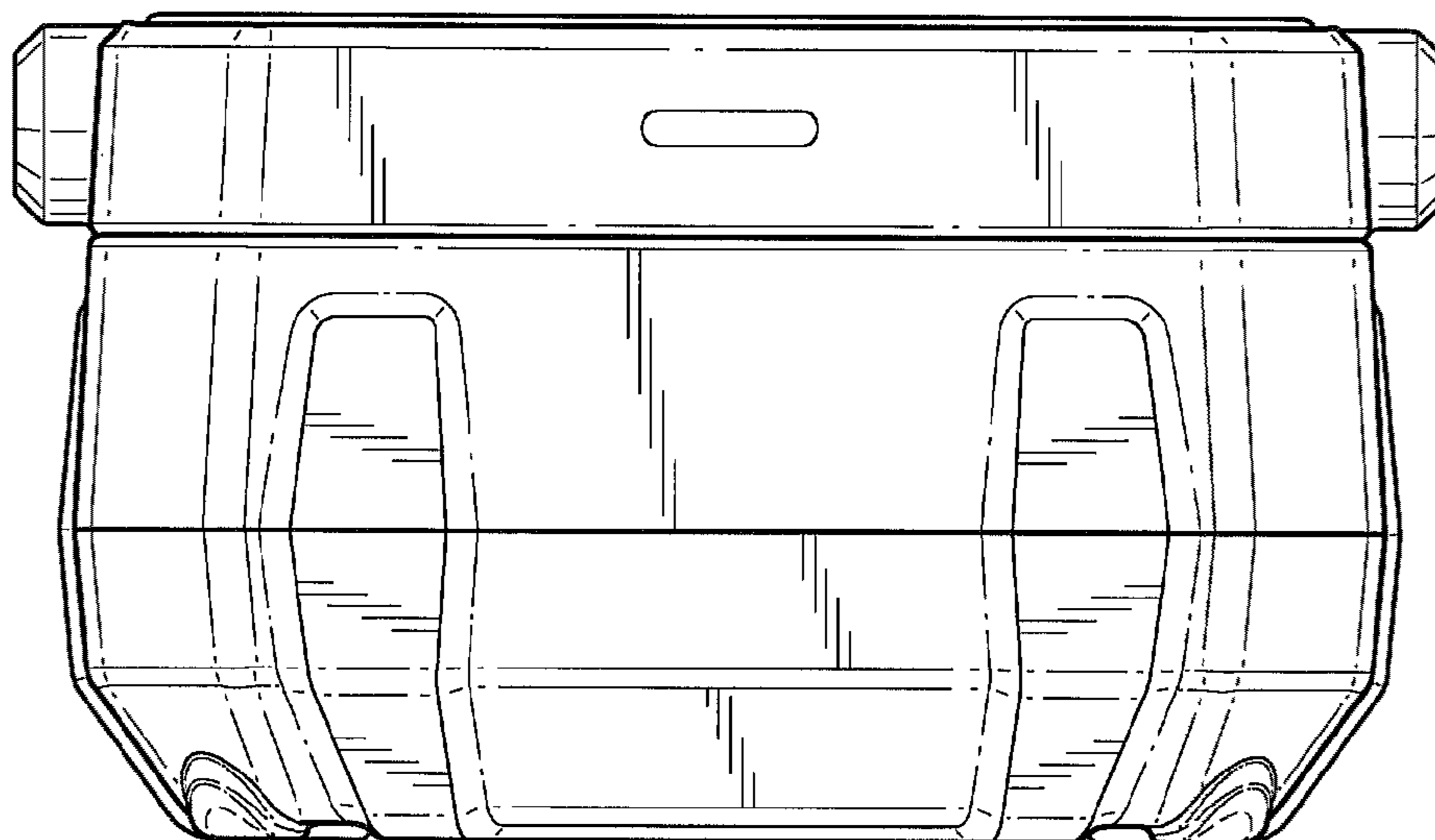


FIG. 6