



US00D772091S

(12) **United States Design Patent**
Kruska et al.

(10) **Patent No.:** **US D772,091 S**

(45) **Date of Patent:** **** Nov. 22, 2016**

(54) **BOX RATTLE CALL FOR DEER**

D669,808 S * 10/2012 Castner D10/119.1
D705,109 S * 5/2014 Burcham D10/119.1
2002/0058457 A1* 5/2002 Butler A01M 31/004
446/200

(71) Applicant: **Hunters Specialties, Inc.**, Cedar Rapids, IA (US)

(72) Inventors: **Jesse S Kruska**, Wallingford, CT (US);
Scott H. Smith, Hartford, CT (US)

(73) Assignee: **Hunters Specialties, Inc.**, Cedar Rapids, IA (US)

(**) Term: **15 Years**

(21) Appl. No.: **29/540,921**

(22) Filed: **Sep. 29, 2015**

(51) **LOC (10) Cl.** **10-05**

(52) **U.S. Cl.**
USPC **D10/119.1**

(58) **Field of Classification Search**
USPC D10/119.1, 116.1
CPC A01M 31/004
See application file for complete search history.

(56) **References Cited**

U.S. PATENT DOCUMENTS

D418,772 S * 1/2000 Eubanks D10/119.1
6,328,626 B1 * 12/2001 Eubanks A01M 31/004
446/213

* cited by examiner

Primary Examiner — George D Kirschbaum

(74) *Attorney, Agent, or Firm* — Nyemaster Goode, P.C.

(57) **CLAIM**

The ornamental design for a box rattle call for deer, as shown and described.

DESCRIPTION

FIG. 1 is a top perspective view of the box rattle call for deer;

FIG. 2 is a bottom perspective view of the box rattle call for deer;

FIG. 3 is a top view of the box rattle call for deer;

FIG. 4 is a side view of the box rattle call for deer;

FIG. 5 is a first end view of the box rattle call for deer;

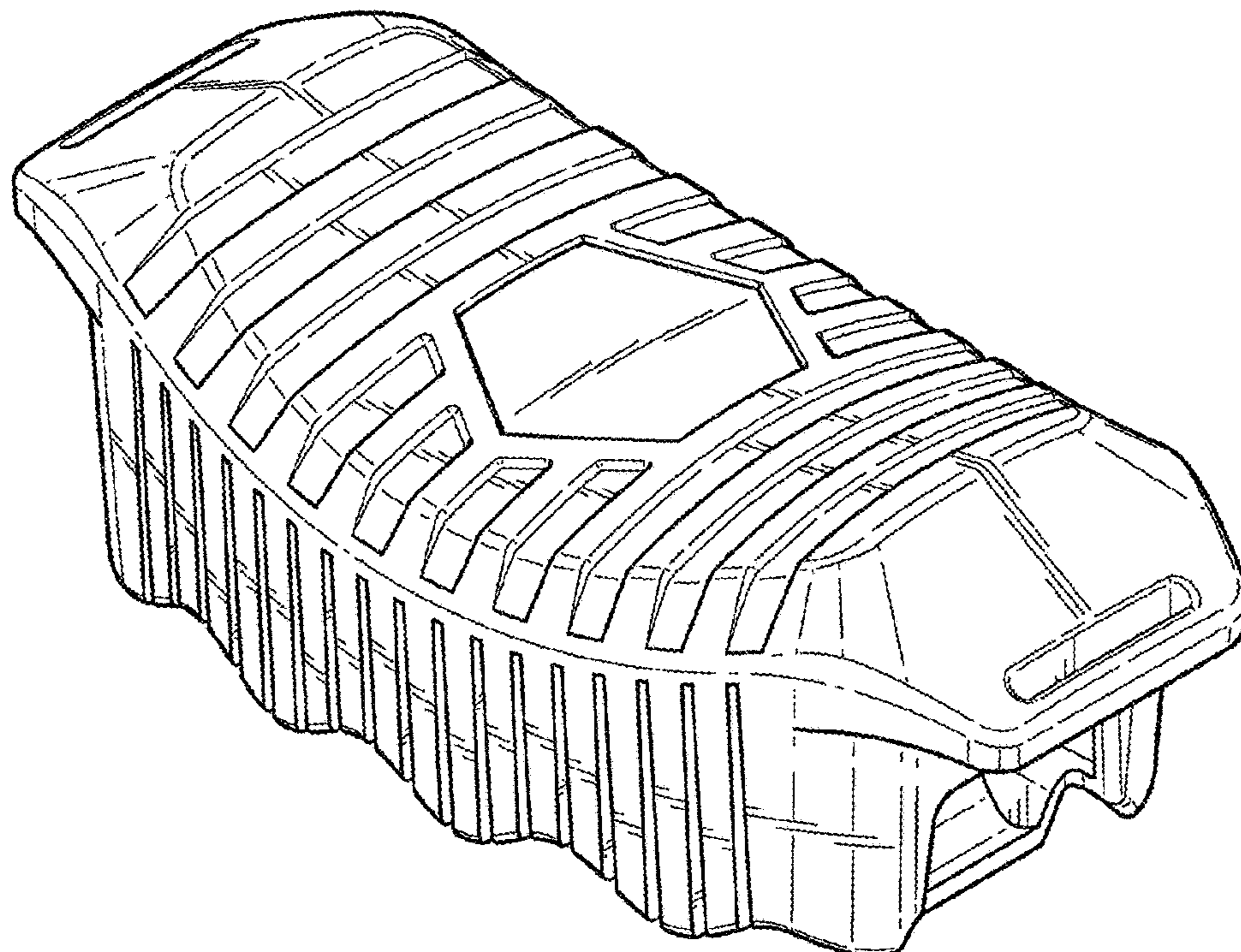
FIG. 6 is a second end view of the box rattle call for deer;

FIG. 7 is a bottom view of the box rattle call for deer; and,

FIG. 8 is a perspective view of the box rattle call for deer mated with another box rattle call for deer.

The broken lines in the drawings depict portions of the box rattle call for deer that form no part of the claimed design.

1 Claim, 6 Drawing Sheets



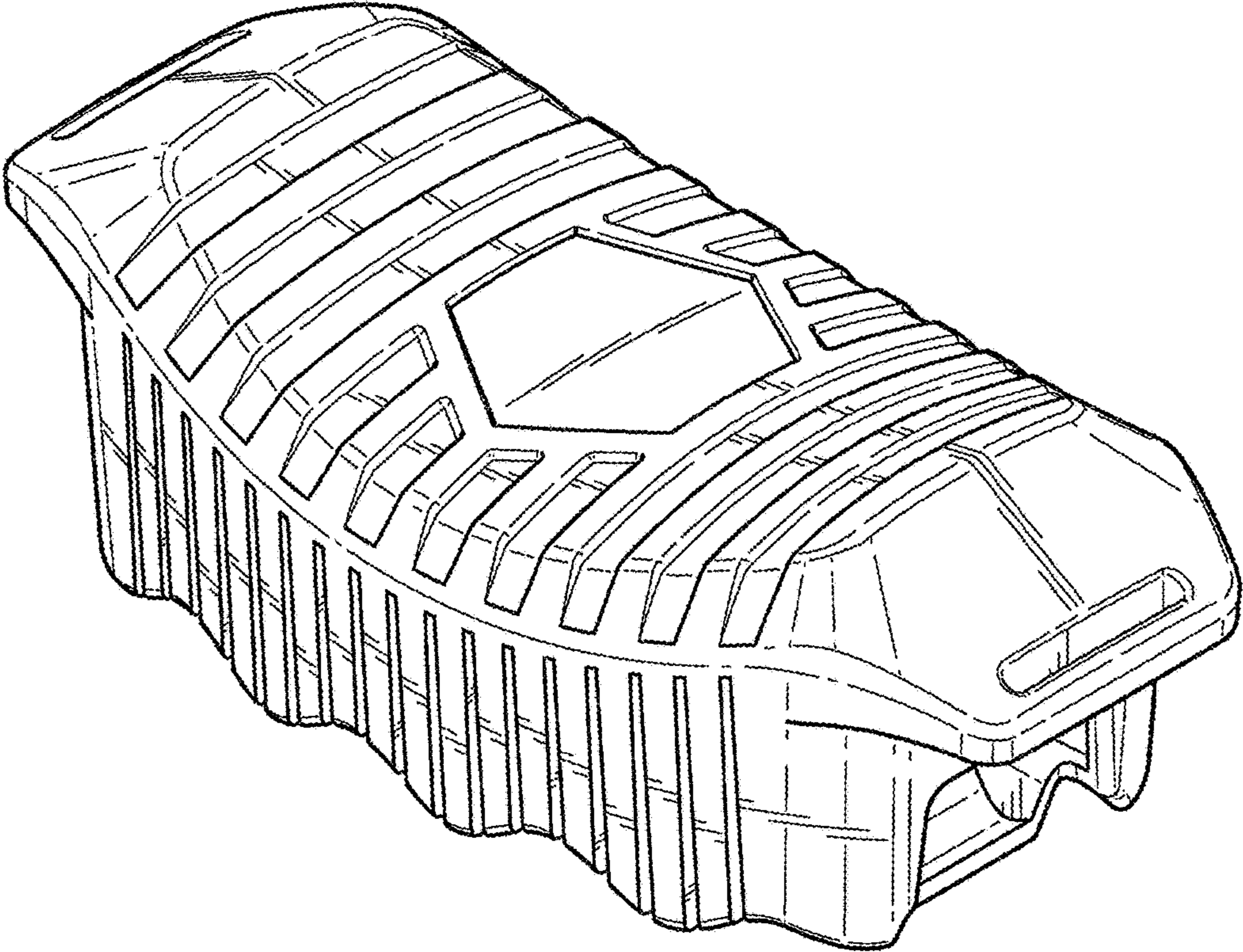


FIG. 1

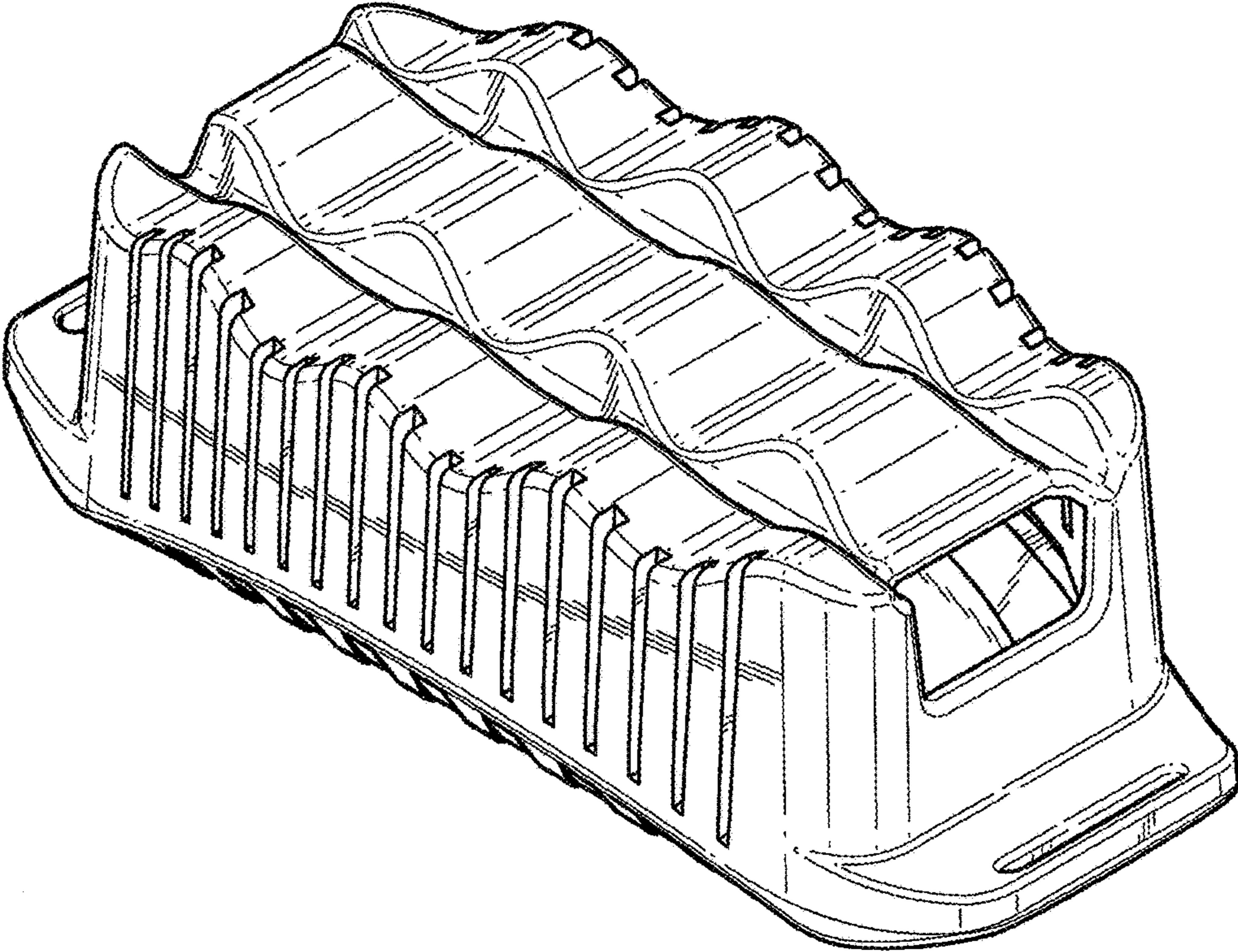


FIG. 2

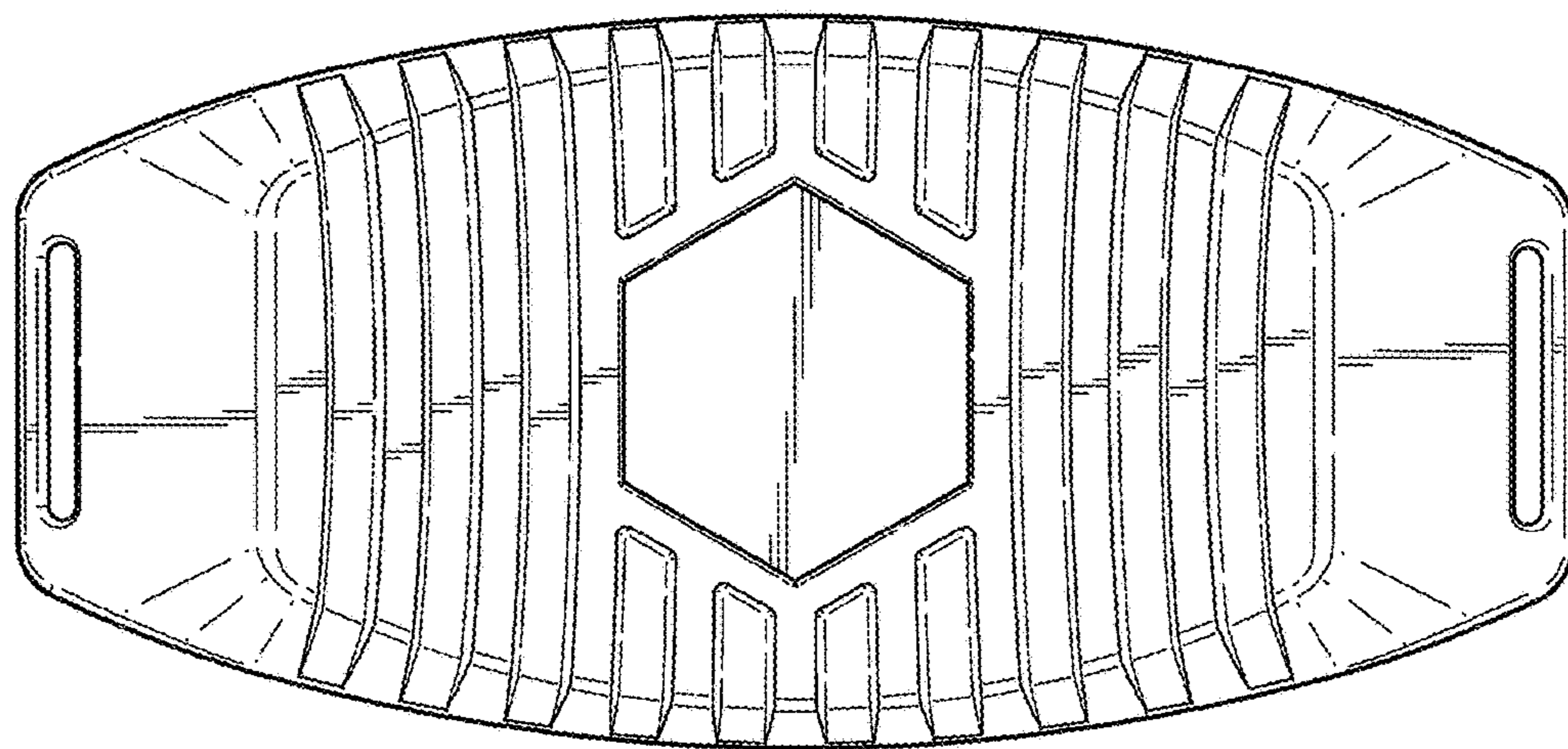


FIG. 3

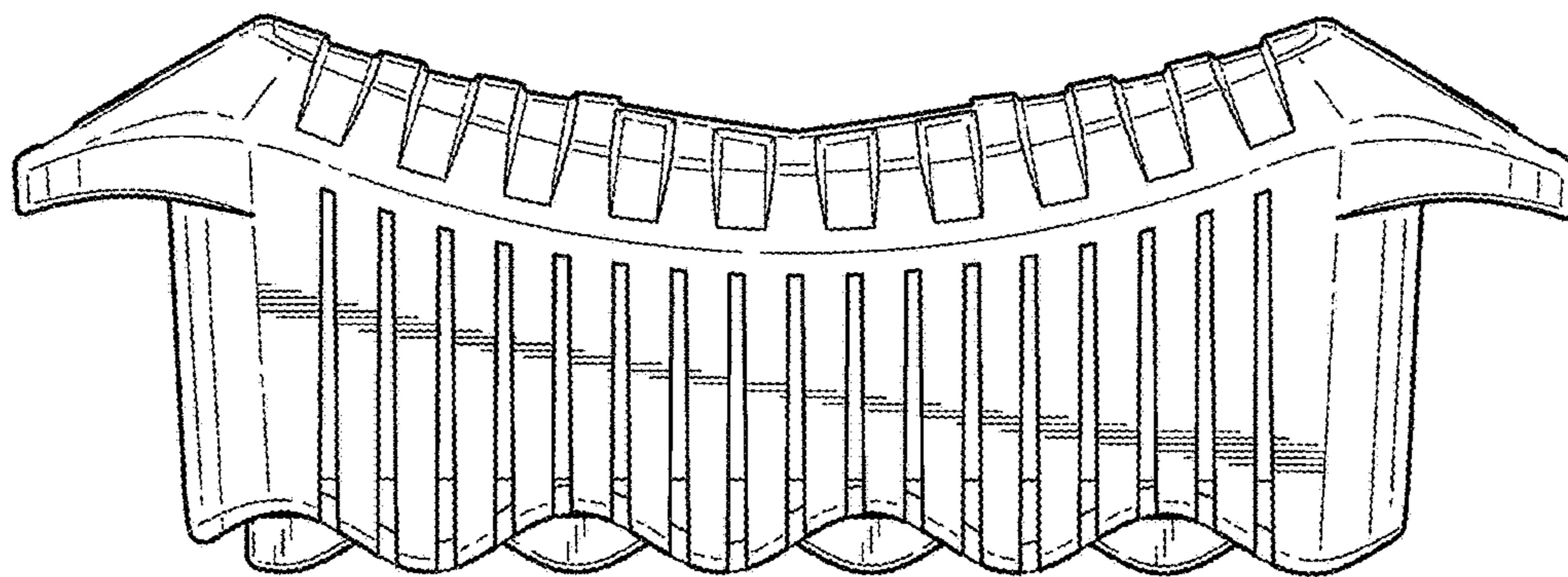


FIG. 4

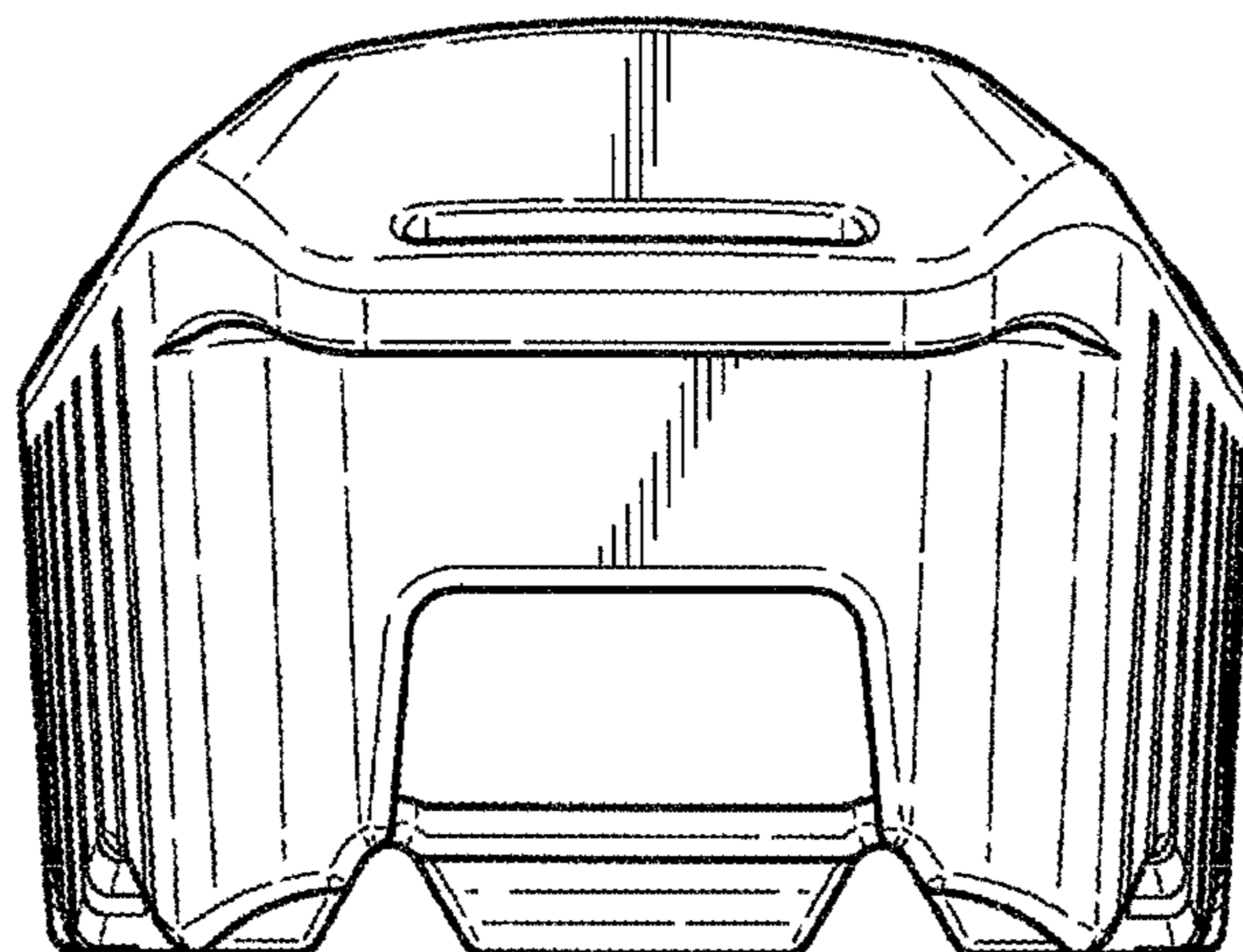


FIG. 5

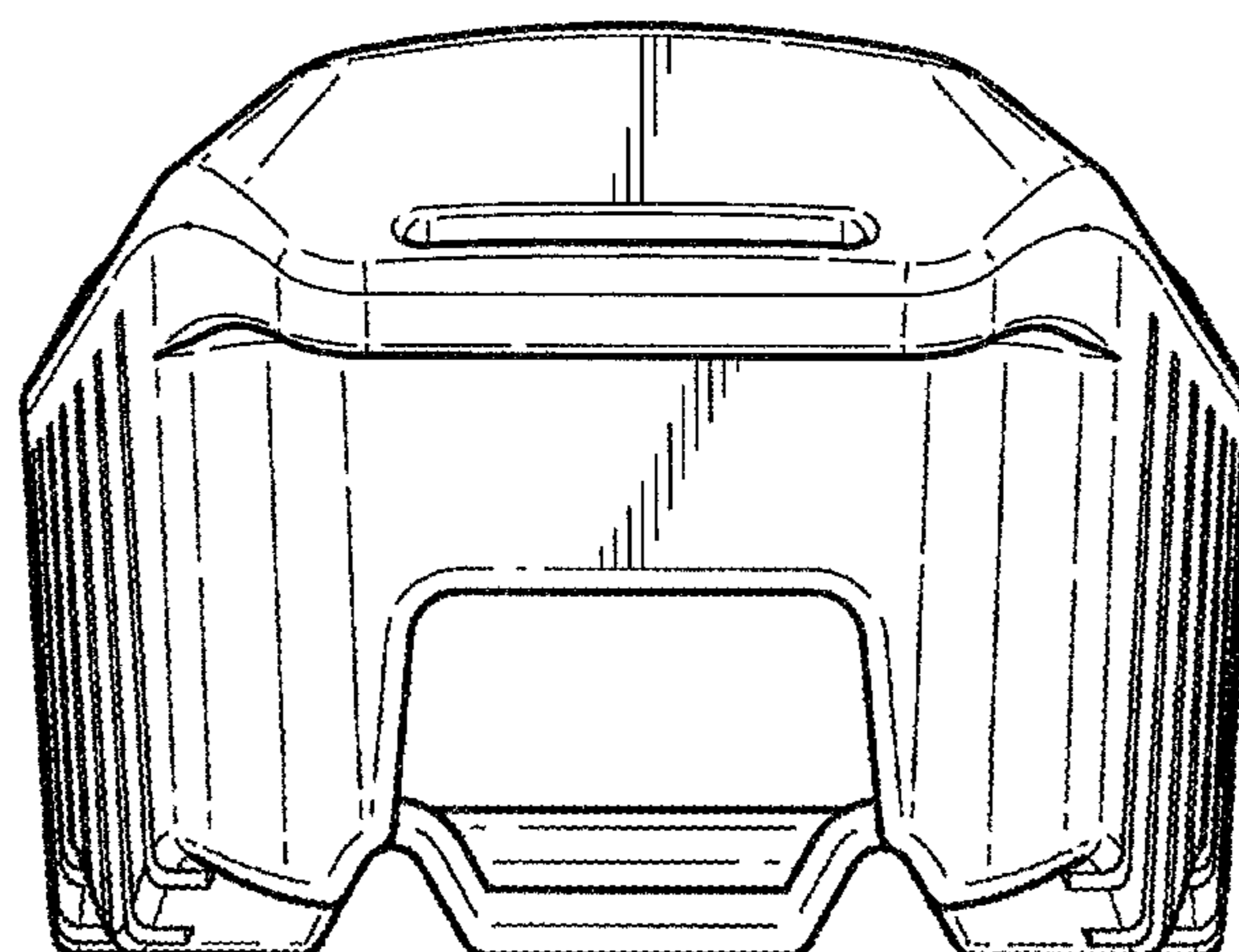


FIG. 6

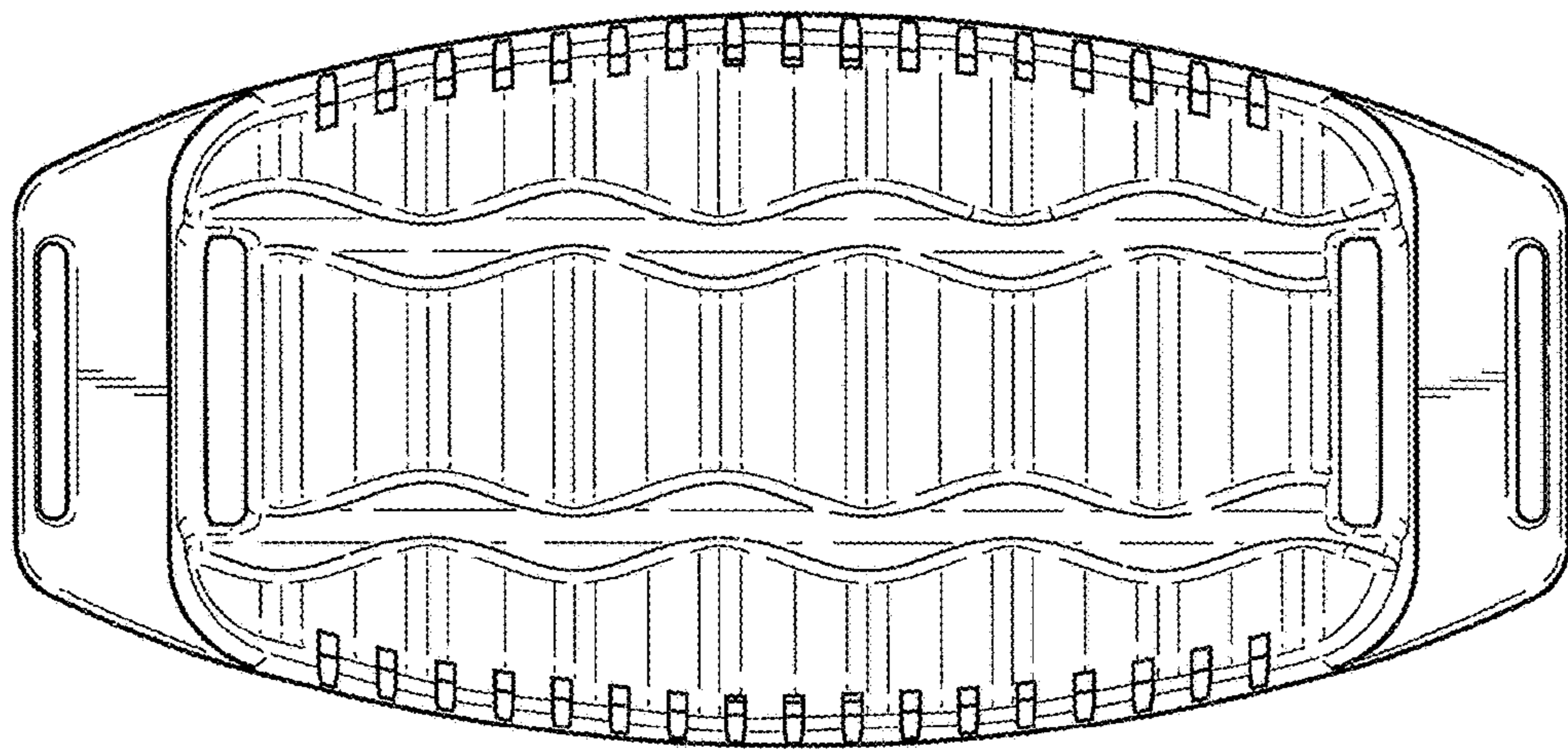


FIG. 7

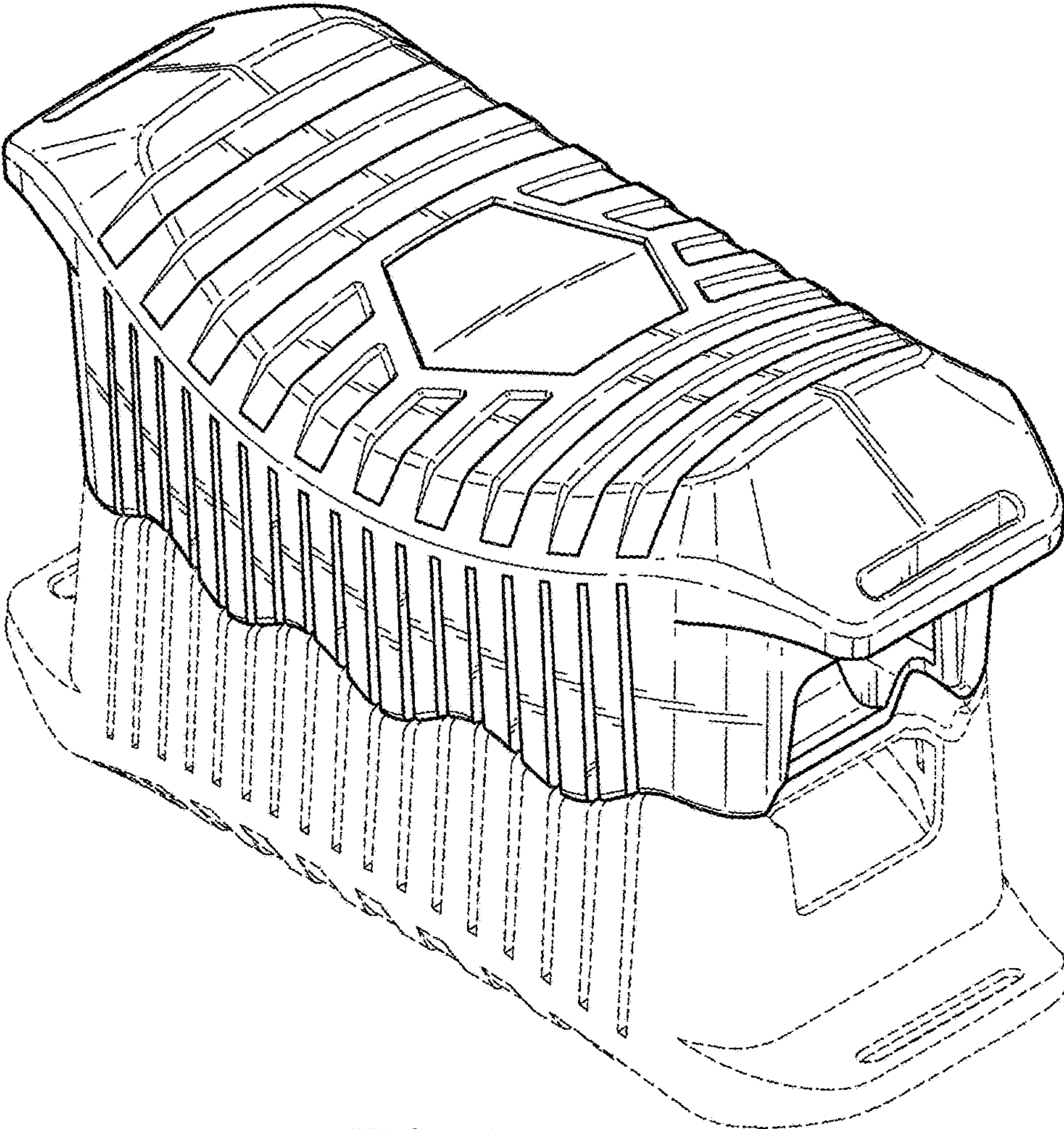


FIG. 8