



US00D772088S

(12) **United States Design Patent** (10) **Patent No.:** **US D772,088 S**
Kono et al. (45) **Date of Patent:** **** Nov. 22, 2016**

(54) **ENERGY METER**

(71) Applicant: **PANASONIC INDUSTRIAL DEVICES SUNX TATSUNO CO., LTD.**, Tatsuno-shi, Hyogo (JP)

(72) Inventors: **Yoshio Kono**, Tatsuno (JP); **Yuto Mimura**, Tatsuno (JP); **Atsushi Taguchi**, Tatsuno (JP)

(73) Assignee: **PANASONIC INDUSTRIAL DEVICES SUNX TATSUNO CO., LTD.**, Tatsuno-shi, Hyogo (JP)

(**) Term: **15 Years**

(21) Appl. No.: **29/533,450**

(22) Filed: **Jul. 17, 2015**

(30) **Foreign Application Priority Data**

Feb. 20, 2015 (JP) 2015-003462

(51) **LOC (10) Cl.** **10-04**

(52) **U.S. Cl.**
USPC **D10/100**

(58) **Field of Classification Search**
USPC D10/99, 100
CPC G01R 21/00; G01R 21/06; G01R 21/133;
G01R 22/00; G01R 22/06; G01R 21/065;
G06F 17/40; G06F 19/00; G01D 4/006;
G01D 11/245; G06Q 50/06; F25D 29/00;
F25D 21/08; F25B 2600/23; H02J 3/04;
H02J 13/0086

See application file for complete search history.

(56) **References Cited**

U.S. PATENT DOCUMENTS

D528,030 S * 9/2006 Chen D10/99
7,147,733 B2 * 12/2006 Barnes C06B 29/22
149/42
D605,962 S * 12/2009 Tsou D10/100
D703,078 S * 4/2014 Hong D10/100
9,197,213 B1 * 11/2015 Lin H03K 3/356113

* cited by examiner

Primary Examiner — Antoine D Davis

(74) *Attorney, Agent, or Firm* — Banner & Witcoff, Ltd.

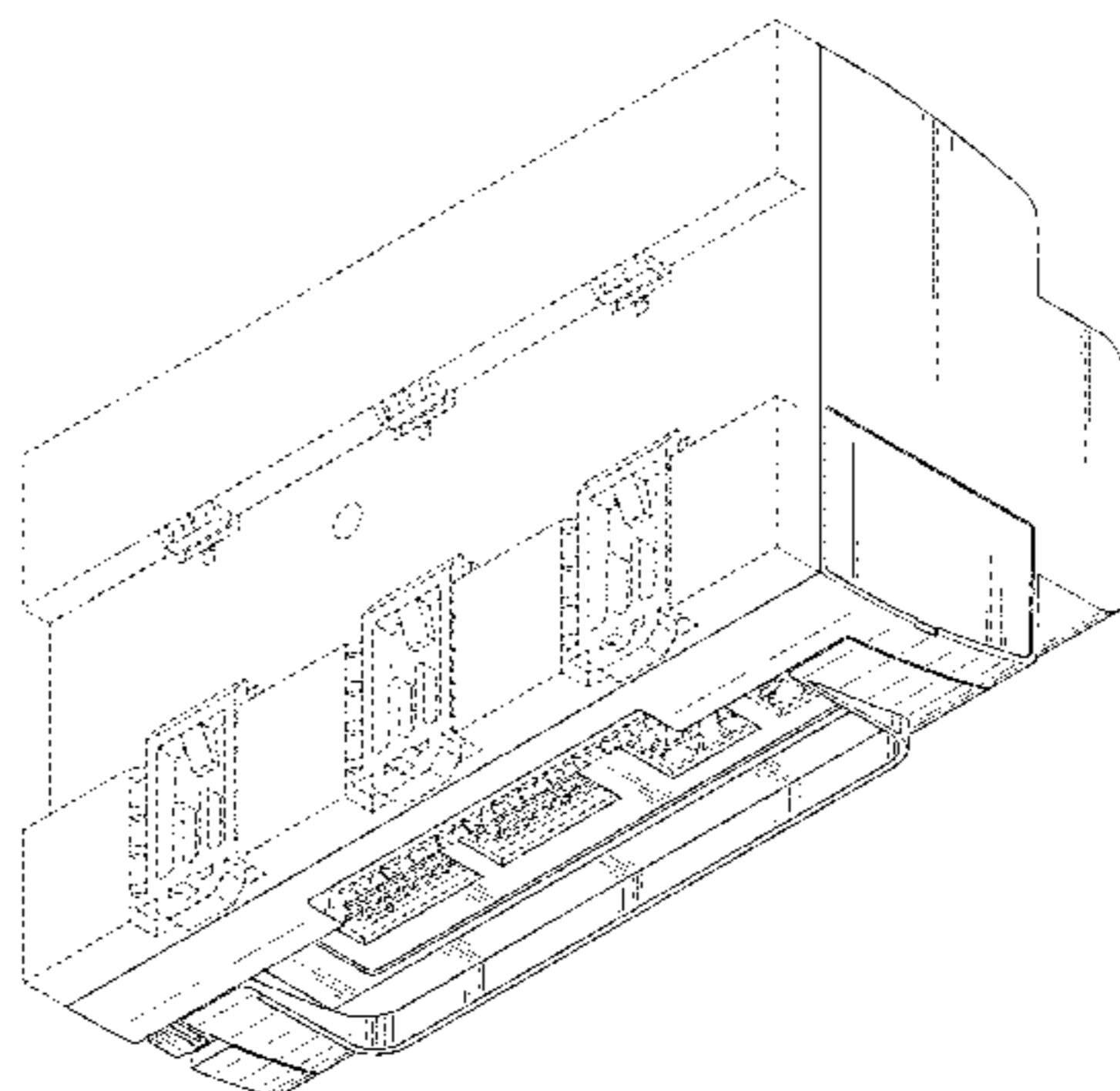
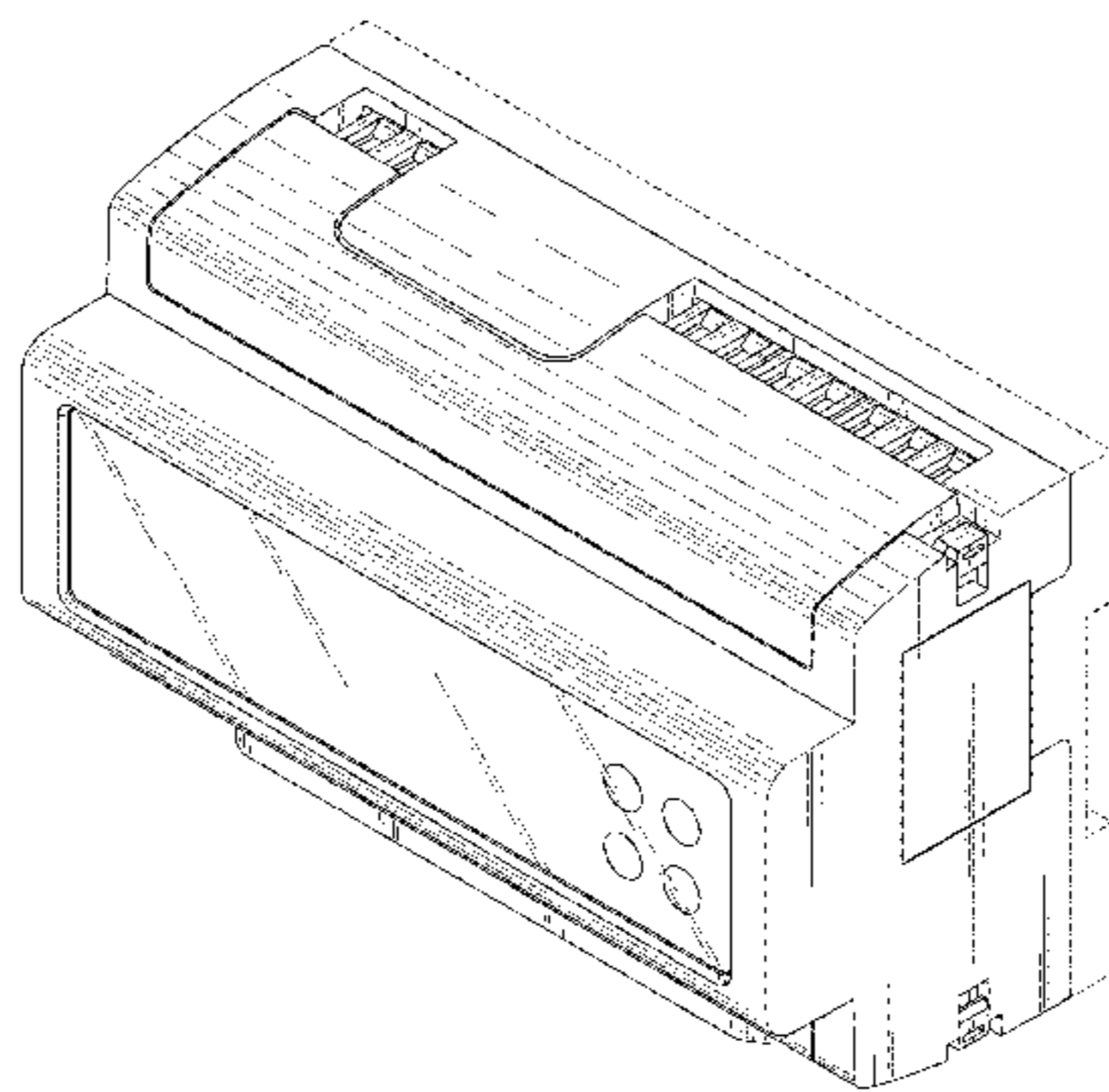
(57) **CLAIM**

The ornamental design for an energy meter, as shown and described.

DESCRIPTION

FIG. 1 is a perspective view of front, top and right side of the energy meter showing our new design;
FIG. 2 is a perspective view of rear, bottom and left thereof;
FIG. 3 is a front view thereof;
FIG. 4 is a rear view thereof;
FIG. 5 is a left side view thereof;
FIG. 6 is a right side view thereof;
FIG. 7 is a top view thereof; and,
FIG. 8 is a bottom view thereof.
The broken lines shown are included for the purpose of illustrating the unclaimed portions of the energy meter and form no part of the claimed design.

1 Claim, 6 Drawing Sheets



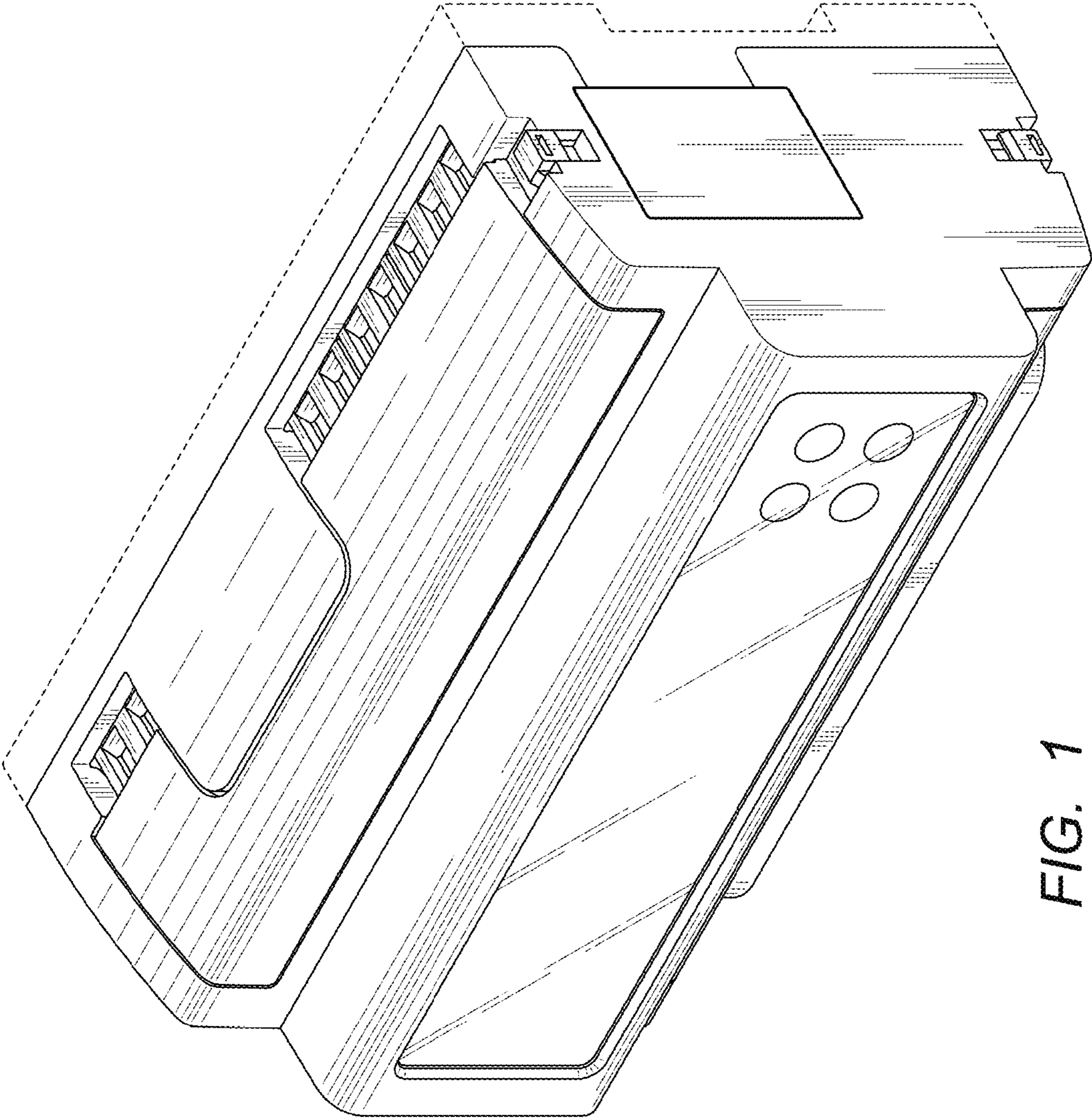


FIG. 1

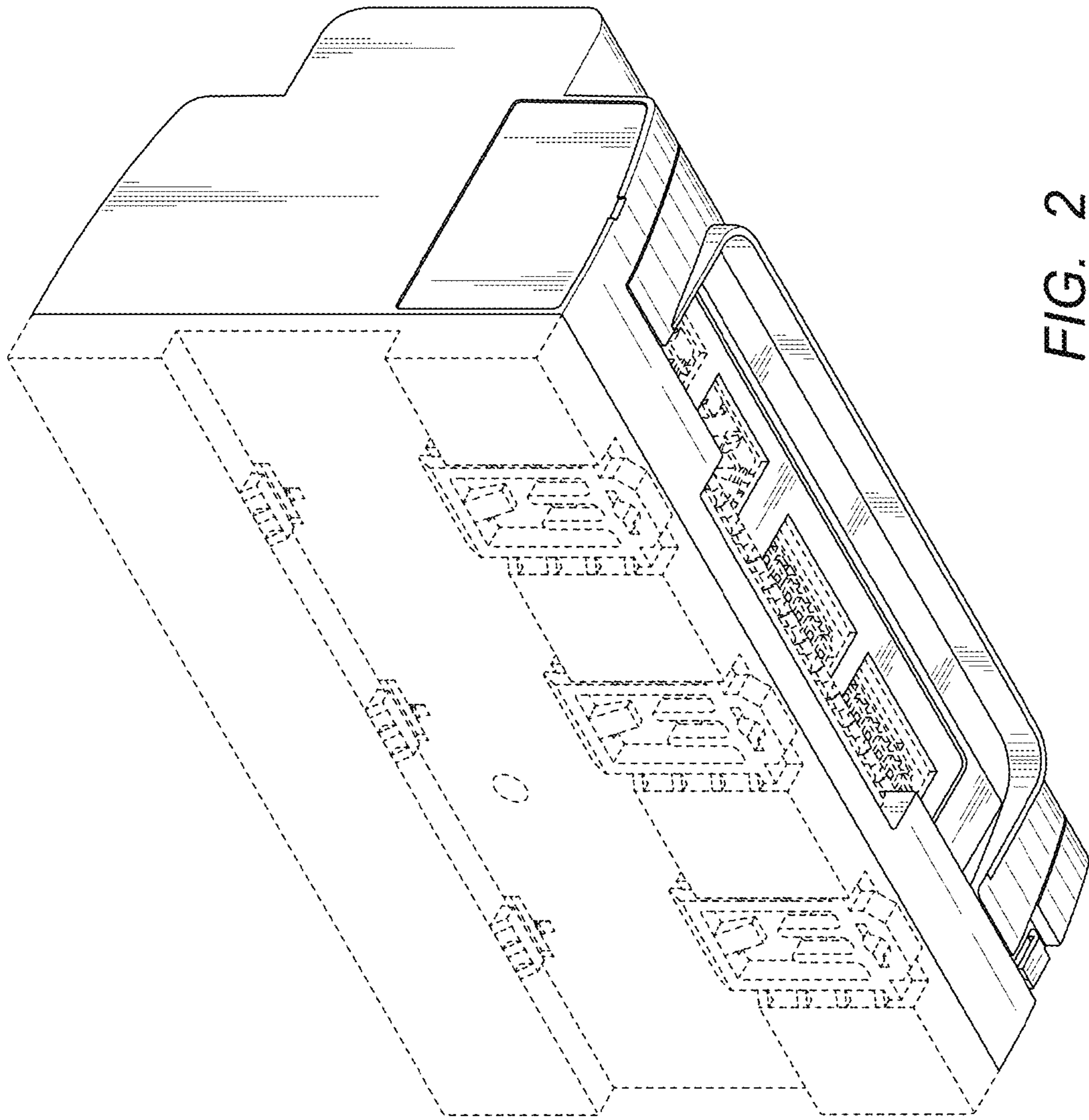


FIG. 2

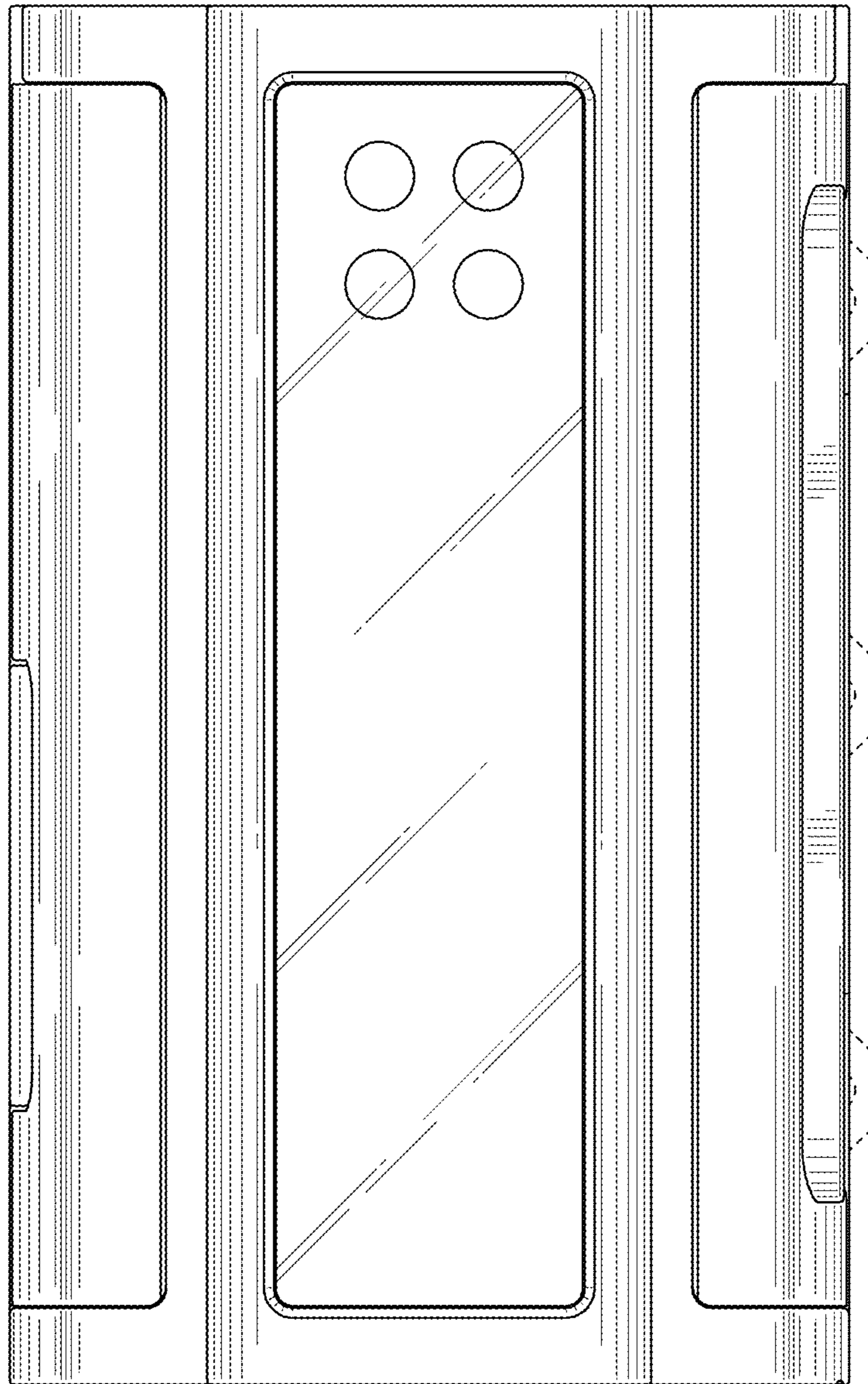


FIG. 3

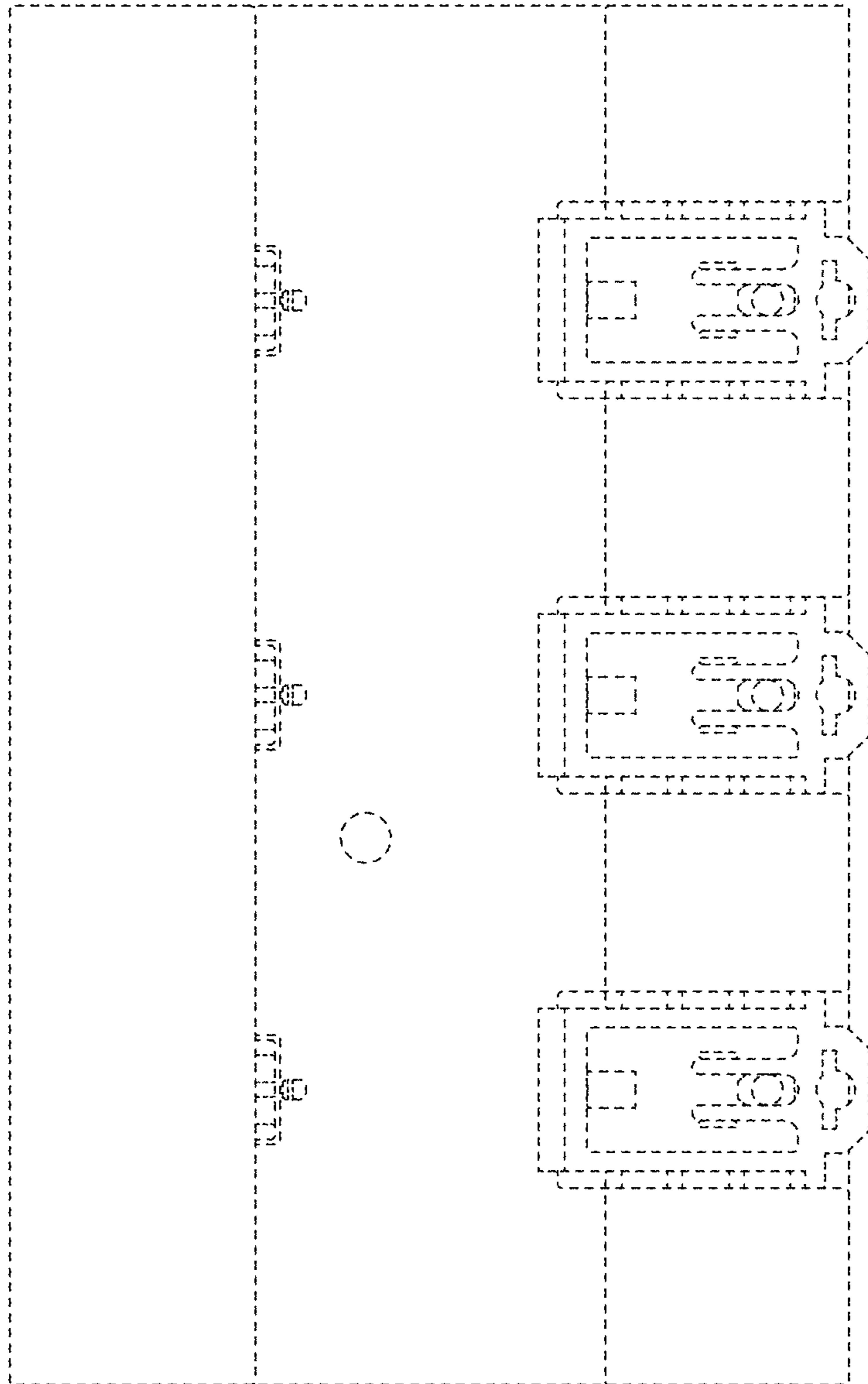


FIG. 4

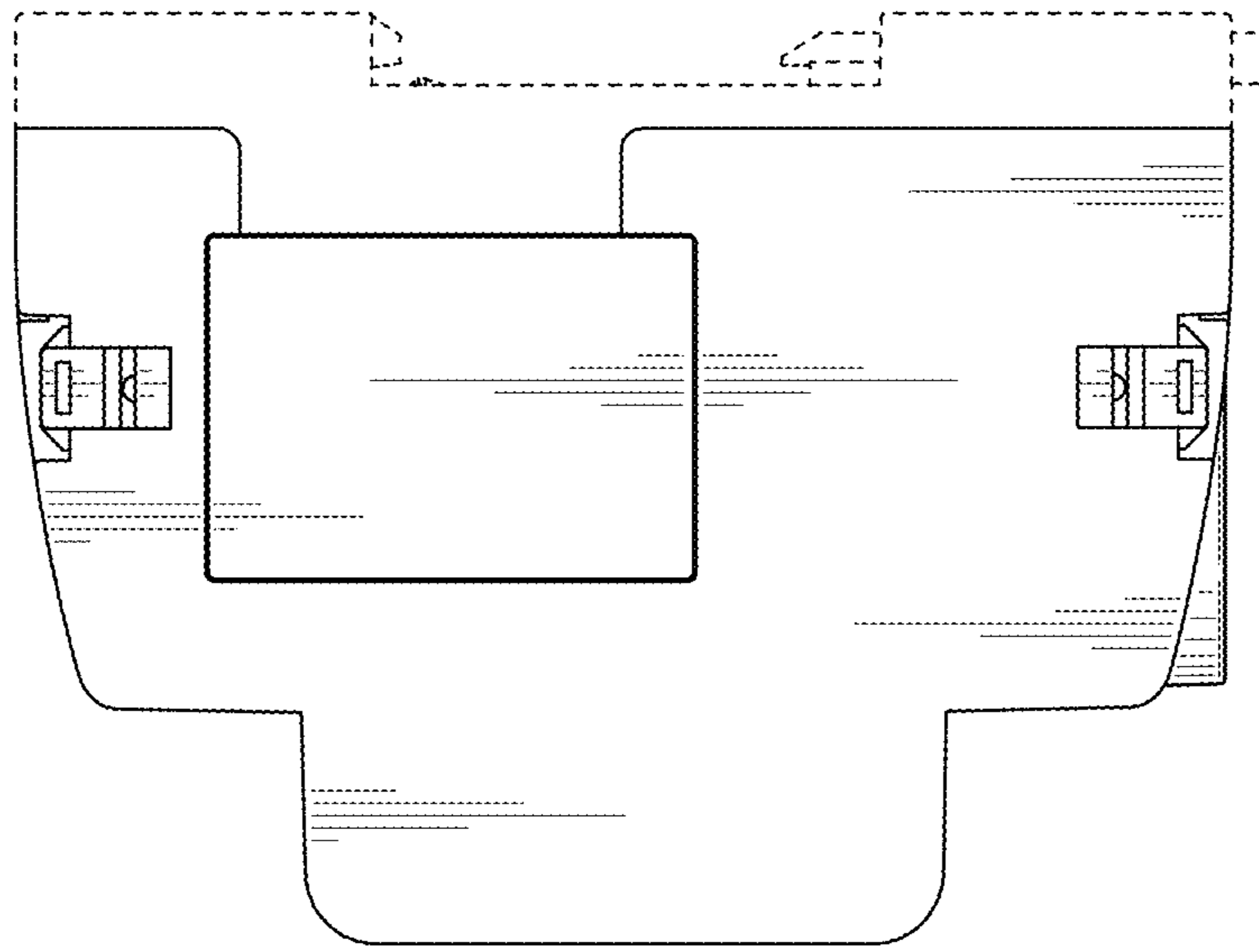


FIG. 5

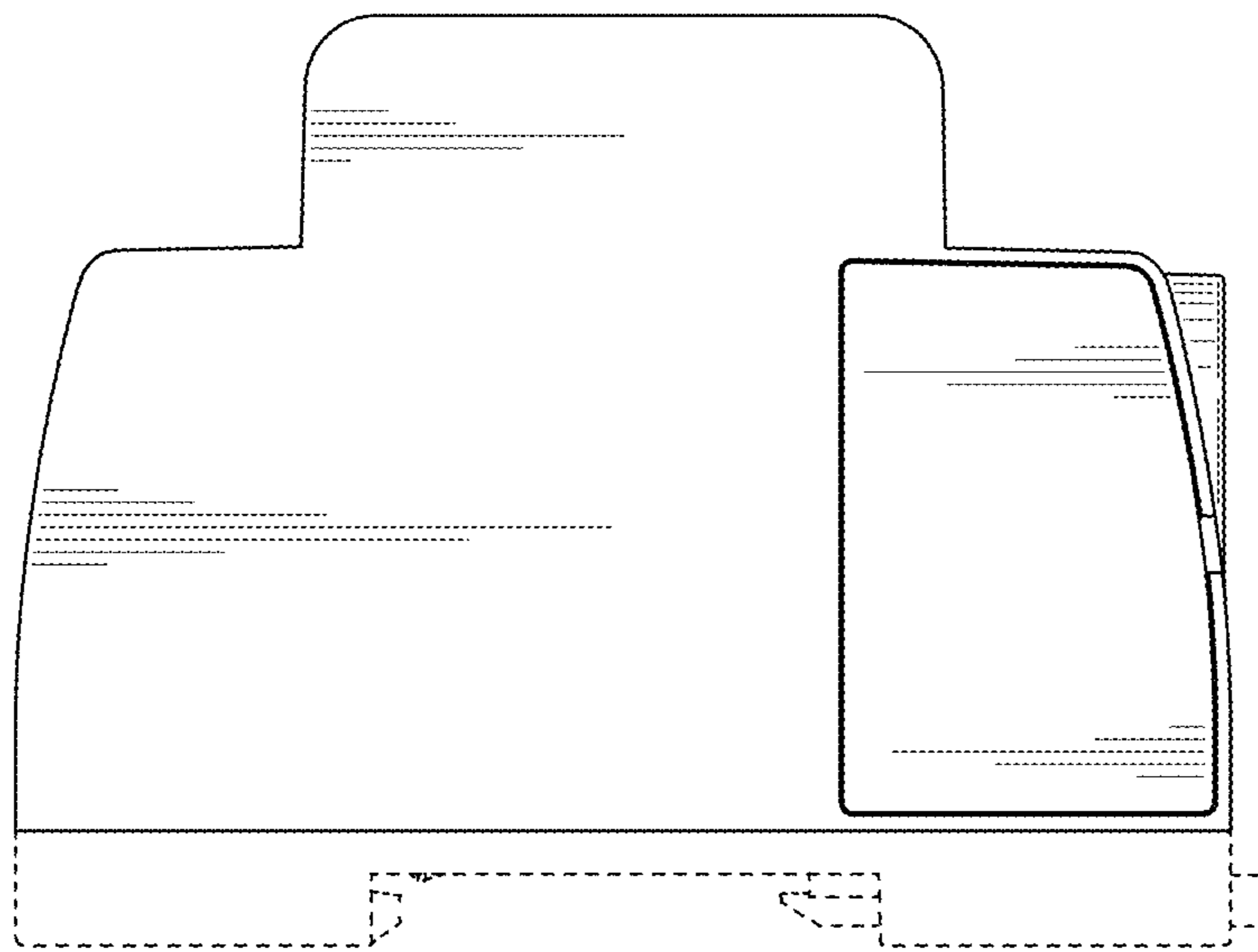


FIG. 6

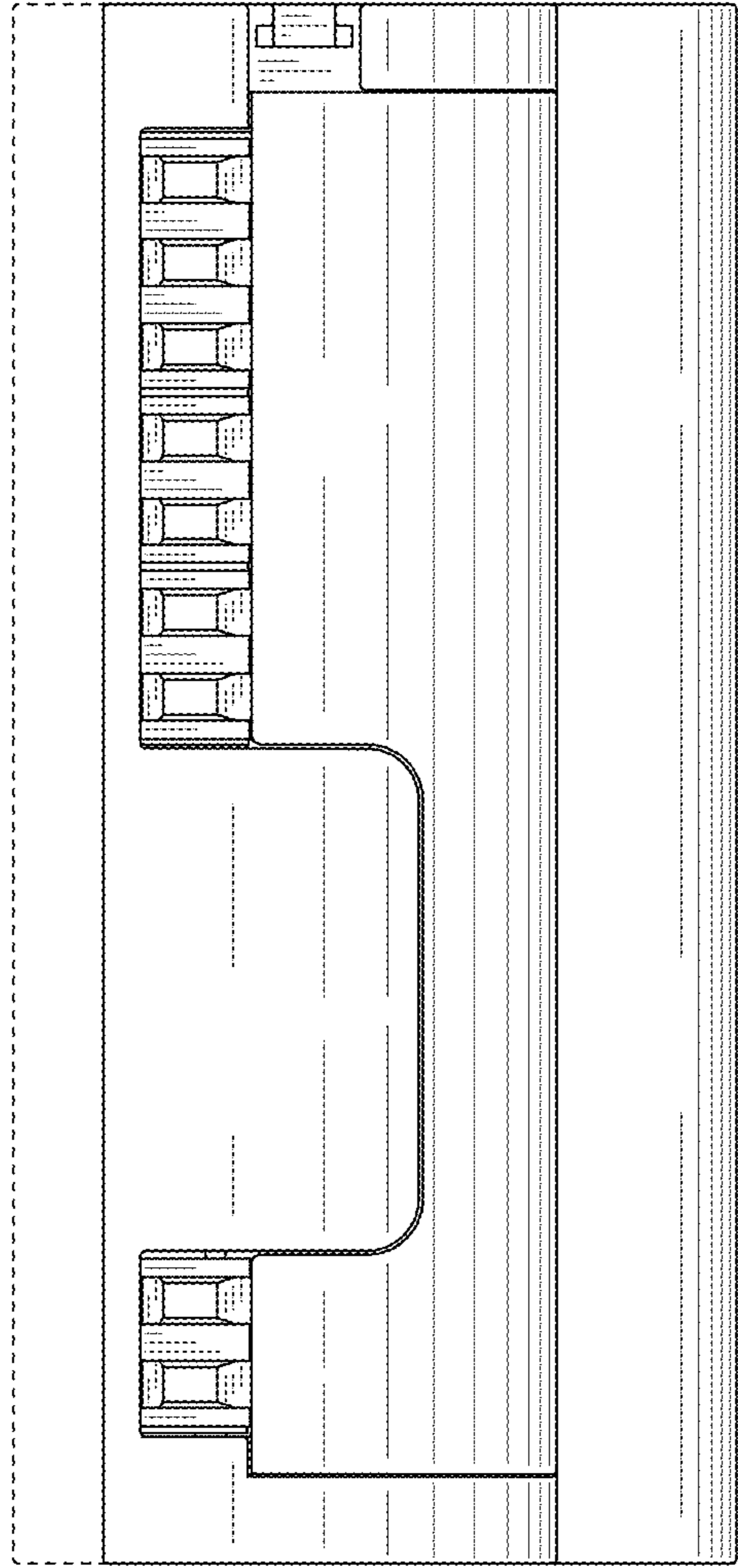


FIG. 7

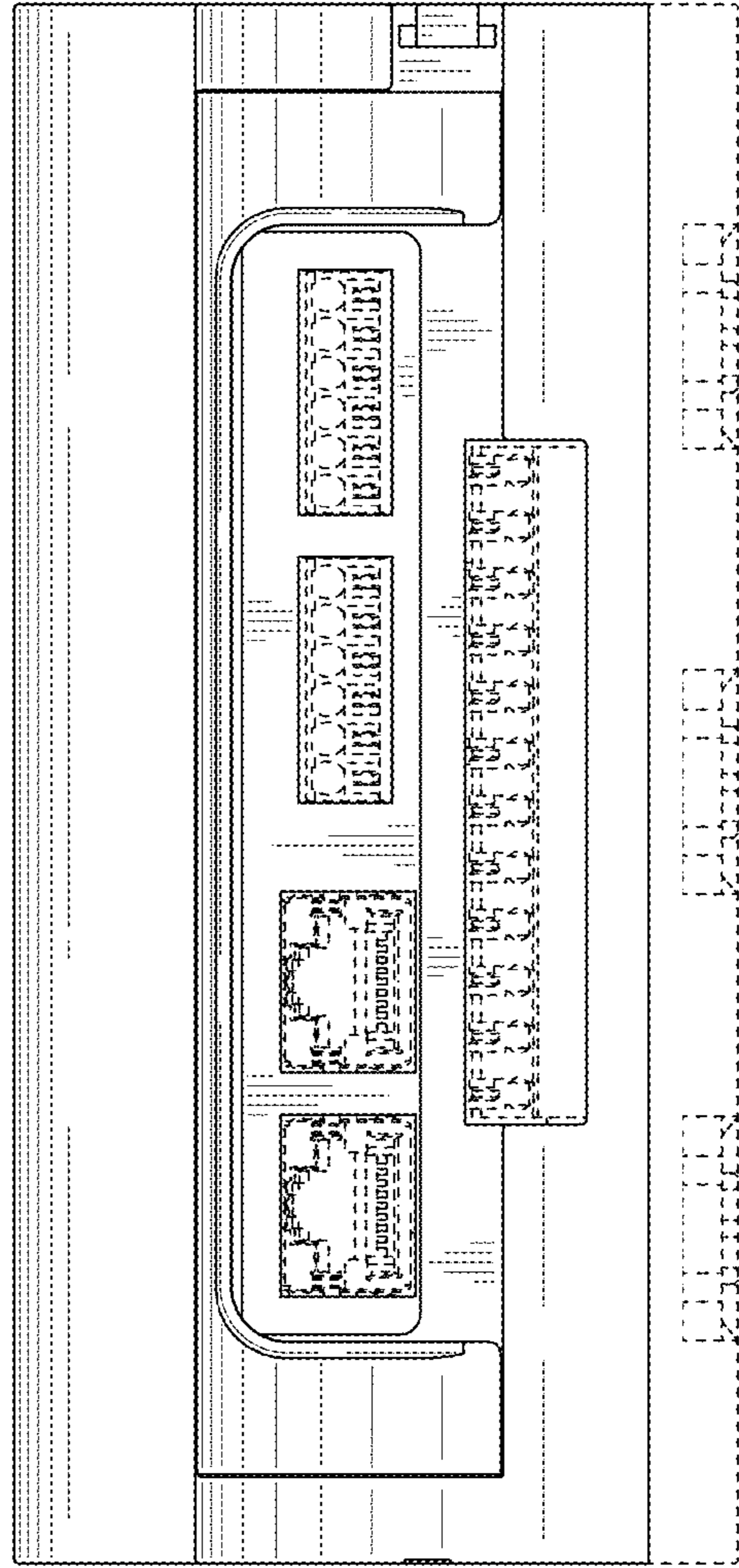


FIG. 8