



US00D772087S

(12) **United States Design Patent** (10) **Patent No.:** **US D772,087 S**
Usman et al. (45) **Date of Patent:** **** Nov. 22, 2016**

(54) **ALCOHOL SENSING BRACELET**

(**) **Term:** **15 Years**

(71) Applicants: **Keane Hasnar Cabanos Usman**, Palmdale, CA (US); **Jonathan Nguyen Hernandez**, Lancaster, CA (US); **Kendrick Lee Short**, Lancaster, CA (US); **Walter Scott Marquez**, Palmdale, CA (US); **Mery Alaberkyan**, Palmdale, CA (US); **Anahit Ana Topchyan**, Palmdale, CA (US); **Michael He Huang**, West Sacramento, CA (US); **Deandrea Dolberry**, Lancaster, CA (US); **Faisal Atanante**, Palmdale, CA (US); **Fanta Sinayoko**, Palmdale, CA (US); **Andrew DeShields**, Palmdale, CA (US); **Daniel Peters**, Palmdale, CA (US); **Branden Cameron Eshrati**, Palmdale, CA (US); **Rachel Kathleen Makamae Thibault**, Palmdale, CA (US); **Michael Peters**, Palmdale, CA (US); **Andrea Charice Buckner**, Lancaster, CA (US); **Ani Alaberkyan**, Palmdale, CA (US)

(21) **Appl. No.:** **29/530,874**

(22) **Filed:** **Jun. 19, 2015**

(51) **LOC (10) Cl.** **10-04**

(52) **U.S. Cl.**
USPC **D10/81**; D10/78

(58) **Field of Classification Search**
USPC D10/30-39, 65, 70, 78, 81, 97, 98;
D11/3; D14/138 R, 203.5, 203.6, 341,
D14/344, 347; D24/167, 168, 186
CPC A61B 5/083; A61B 5/087; A61B 5/0833;
A61B 5/091; A61B 5/222; A61B 5/0002;
A61B 5/02438; A61B 5/08; G01N 33/497;
G01N 33/4972; G01N 33/483; G01N 33/98;
G10L 17/00; Y10S 436/90

See application file for complete search history.

(56) **References Cited**

U.S. PATENT DOCUMENTS

D507,550	S	*	7/2005	Kim	D10/31
D508,031	S	*	8/2005	Kim	D10/31
D604,187	S	*	11/2009	Dacko	D10/70
D693,251	S	*	11/2013	Anderssen	D10/97
D717,678	S	*	11/2014	Anderssen	D10/70
9,155,505	B2	*	10/2015	Caduff	A61B 5/01
9,332,912	B2	*	5/2016	Tokko	A61B 5/02116

OTHER PUBLICATIONS

Fitbit Store: Buy Surge, Charge HR, Charge, Flex, One, Zip & Aria at <https://www.fitbit.com/store>; last accessed Jun. 17, 2015.

* cited by examiner

Primary Examiner — Antoine D Davis

(74) *Attorney, Agent, or Firm* — Adam R. Stephenson, Ltd.

(57) **CLAIM**

The ornamental design for an alcohol sensing bracelet, as shown and described.

DESCRIPTION

FIG. 1 is a front perspective view of an alcohol sensing bracelet embodiment;

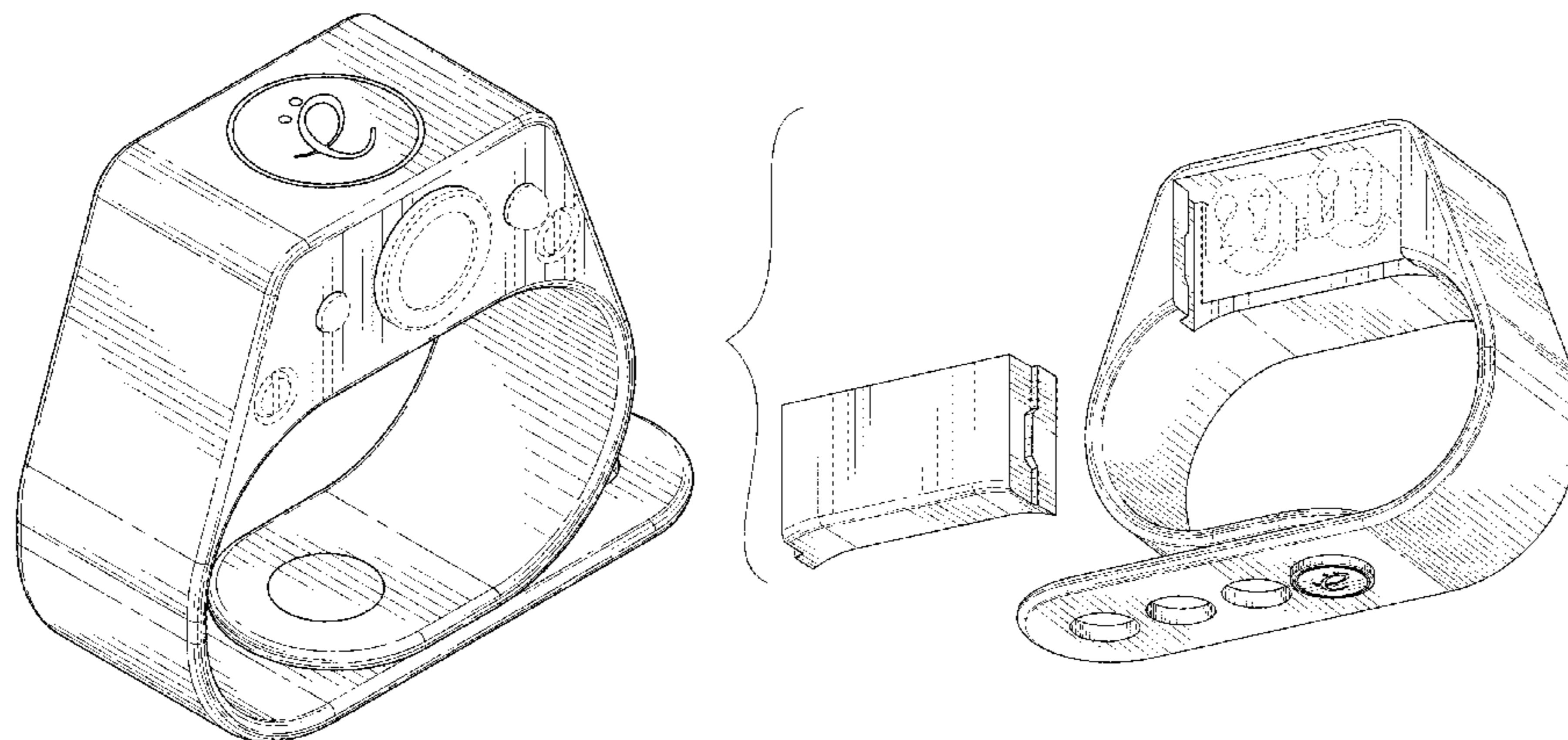


FIG. 2 is a front view thereof;
FIG. 3 is a rear view thereof with a door coupled into the bracelet;
FIG. 4 is a left view thereof;
FIG. 5 is a right view thereof;
FIG. 6 is top view;
FIG. 7 is a bottom view;
FIG. 8 is back perspective view with the door in an exploded position;
FIG. 9 is a front perspective view of another alcohol sensing bracelet embodiment;

FIG. 10 is a front view thereof;
FIG. 11 is a rear view thereof with a door coupled into the bracelet;
FIG. 12 is a left view thereof;
FIG. 13 is a right view thereof;
FIG. 14 is a top view thereof; and,
FIG. 15 is a bottom view thereof.
All broken lines represent unclaimed features of the article to which the design is applied. All surfaces not shown form no part of the claimed design.

1 Claim, 11 Drawing Sheets

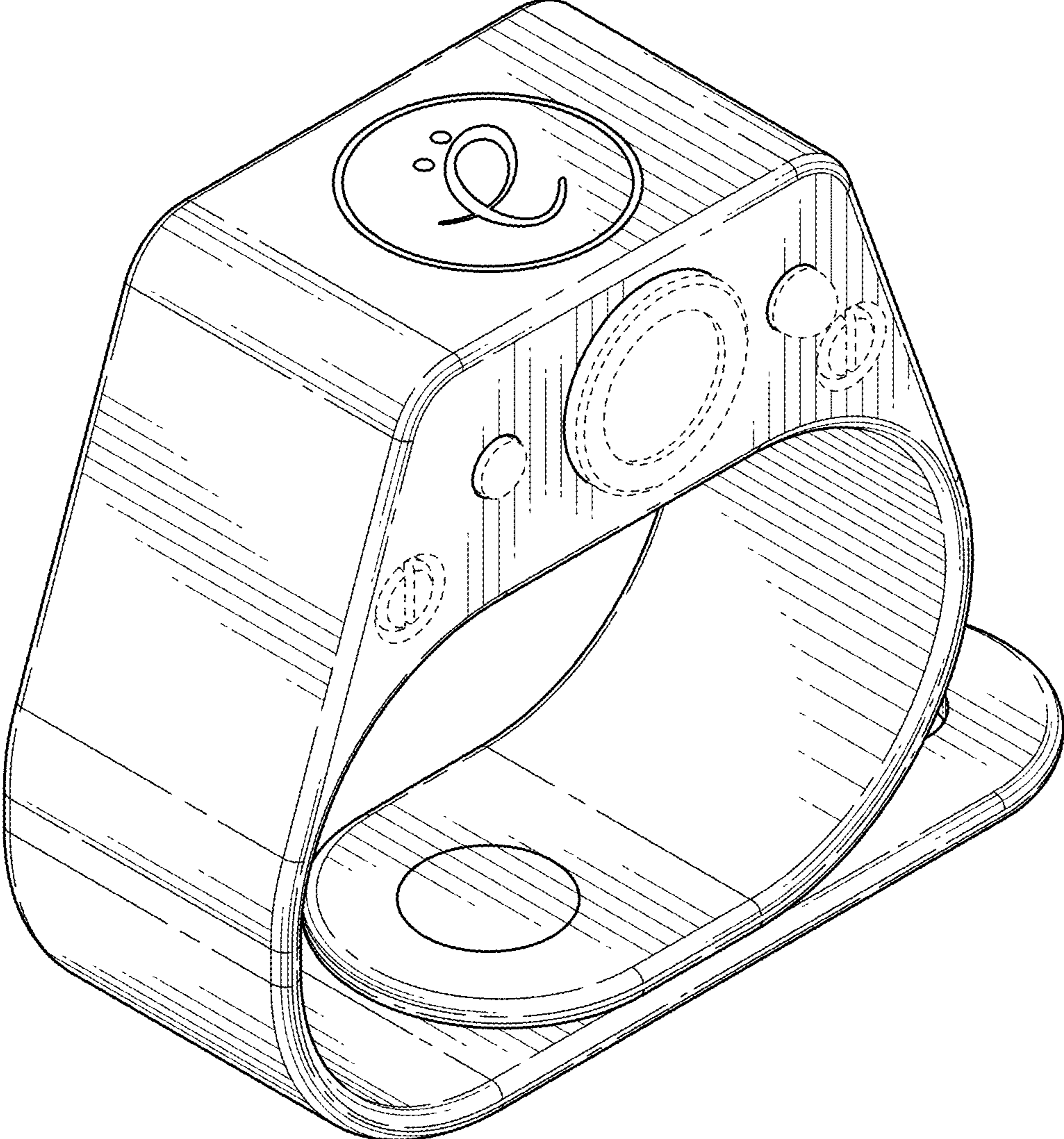


FIG. 1

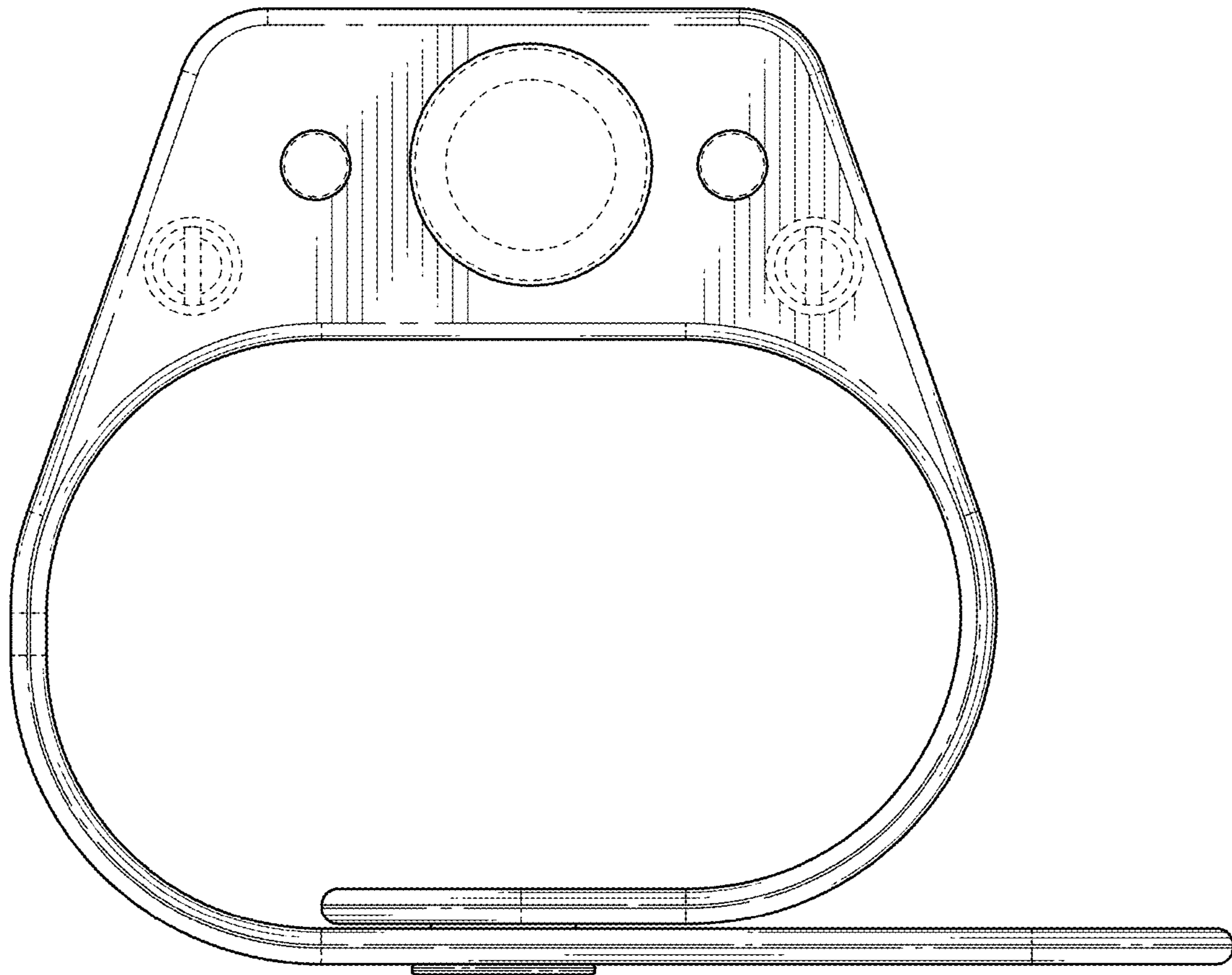


FIG. 2

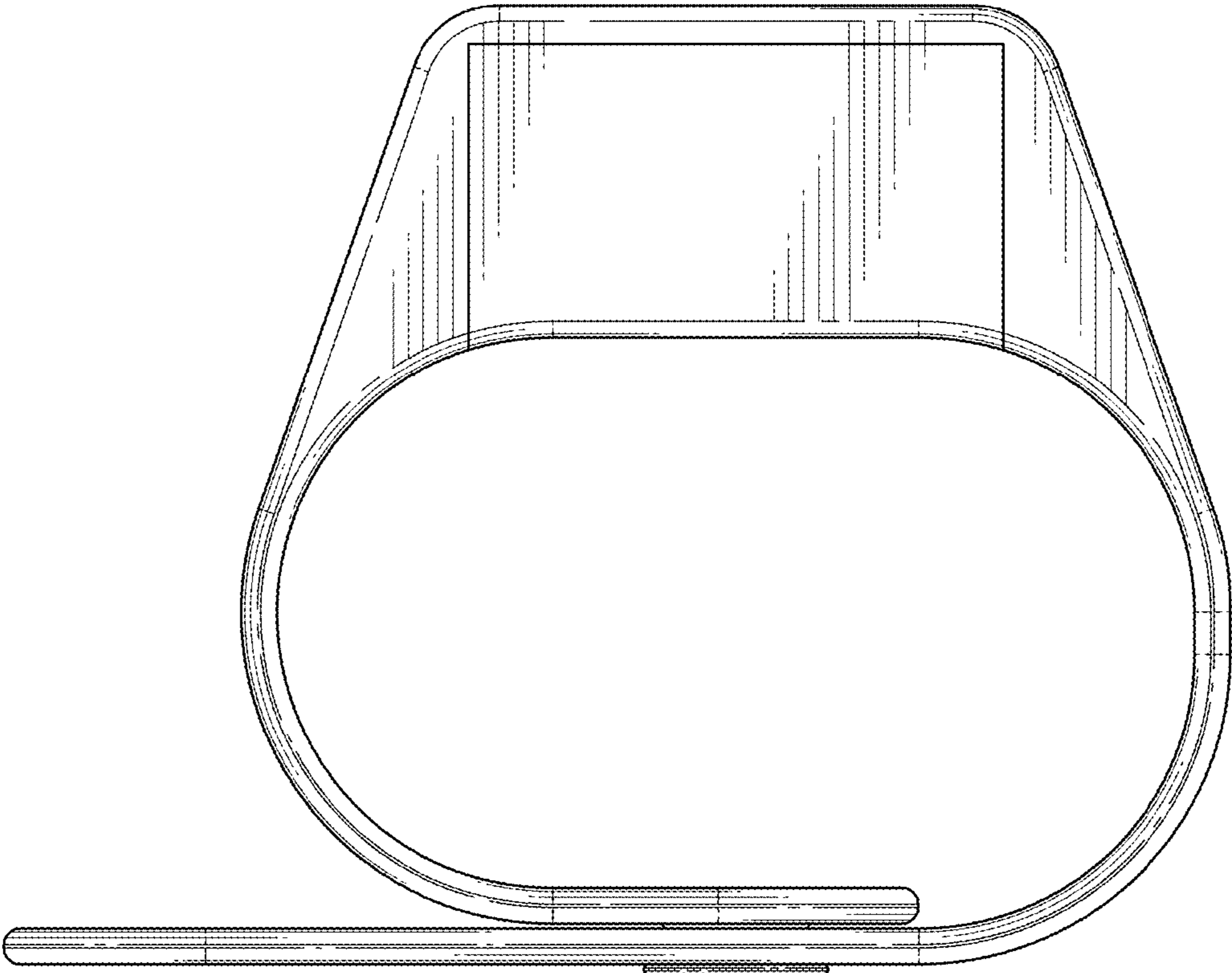


FIG. 3

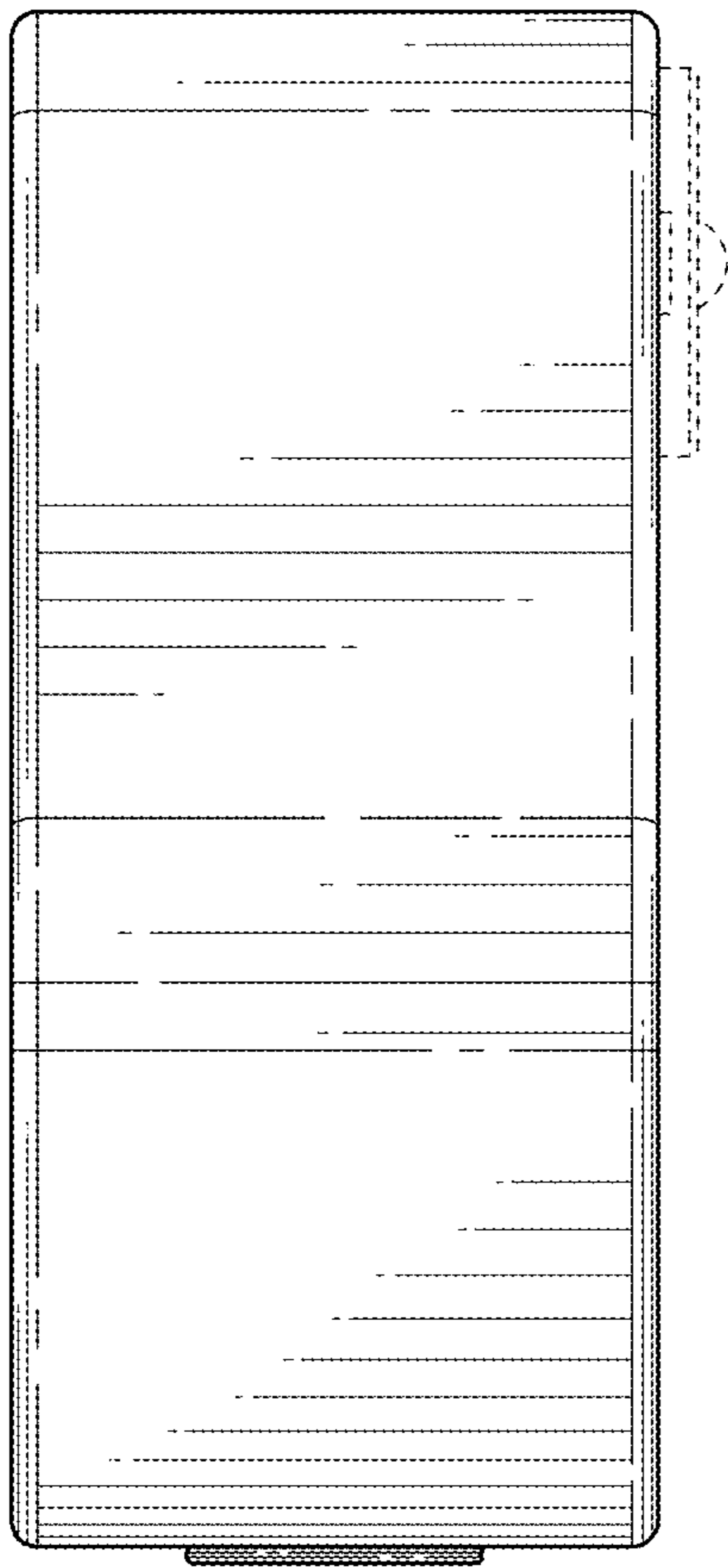


FIG. 4

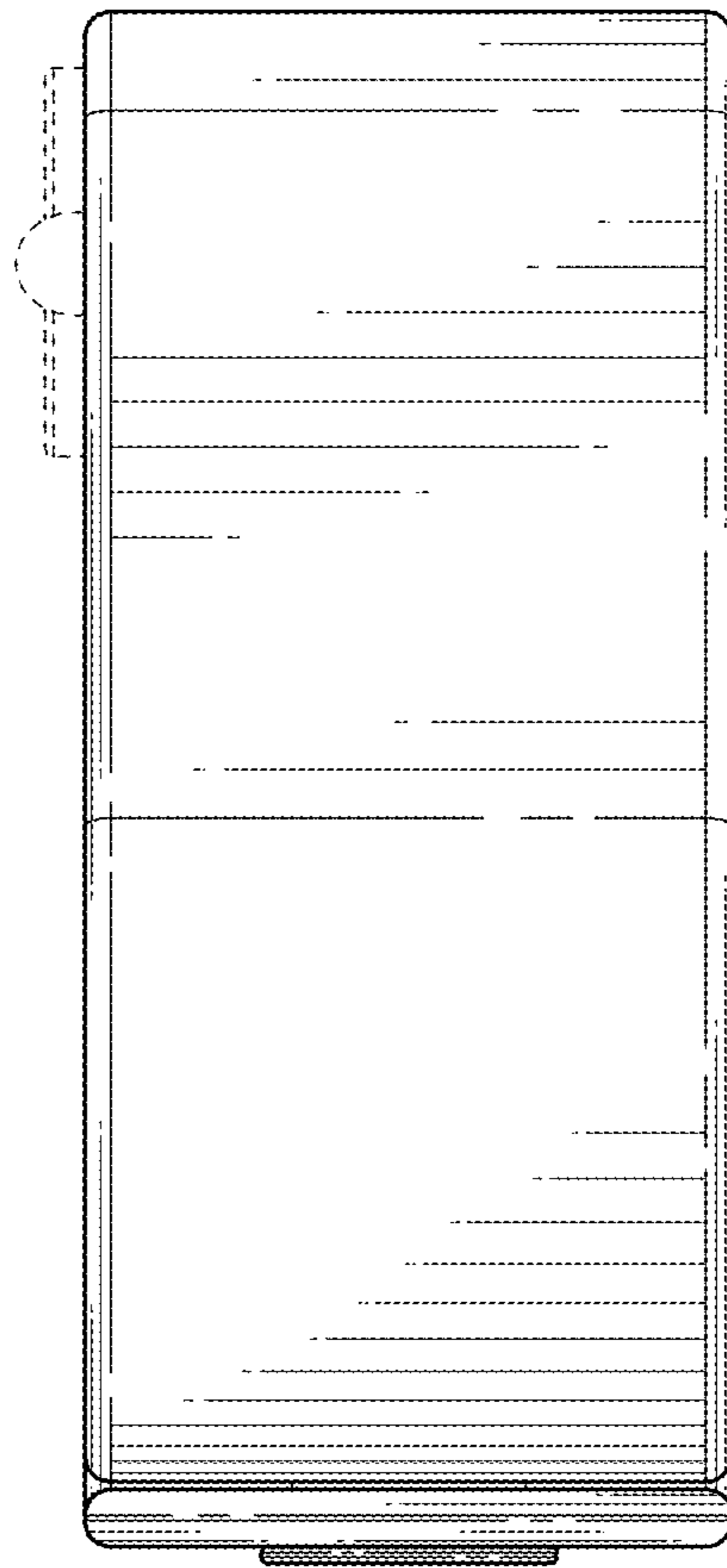


FIG. 5

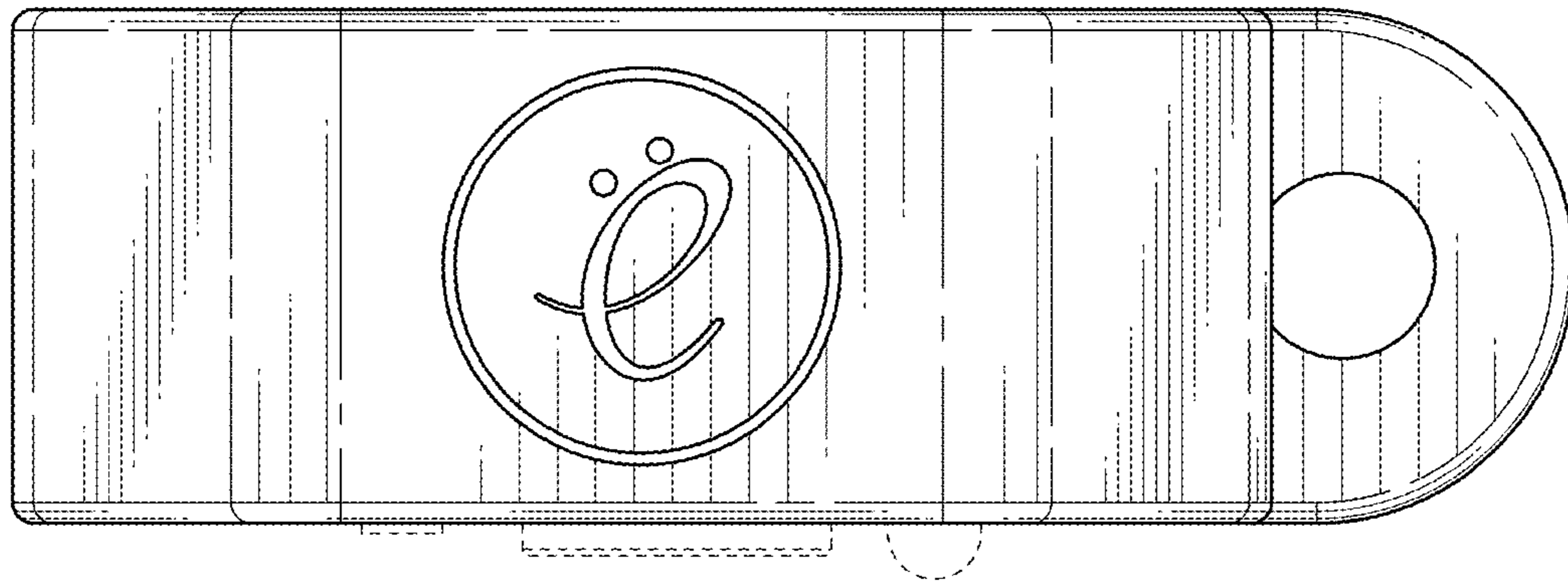


FIG. 6

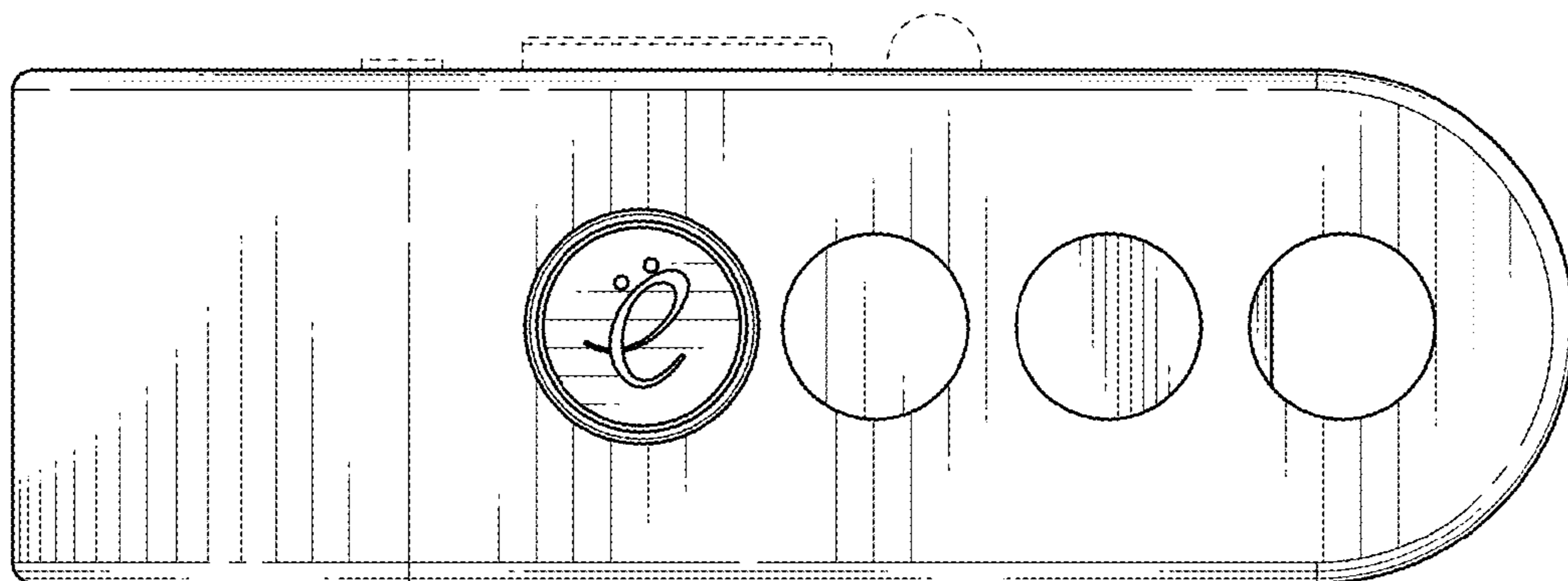


FIG. 7

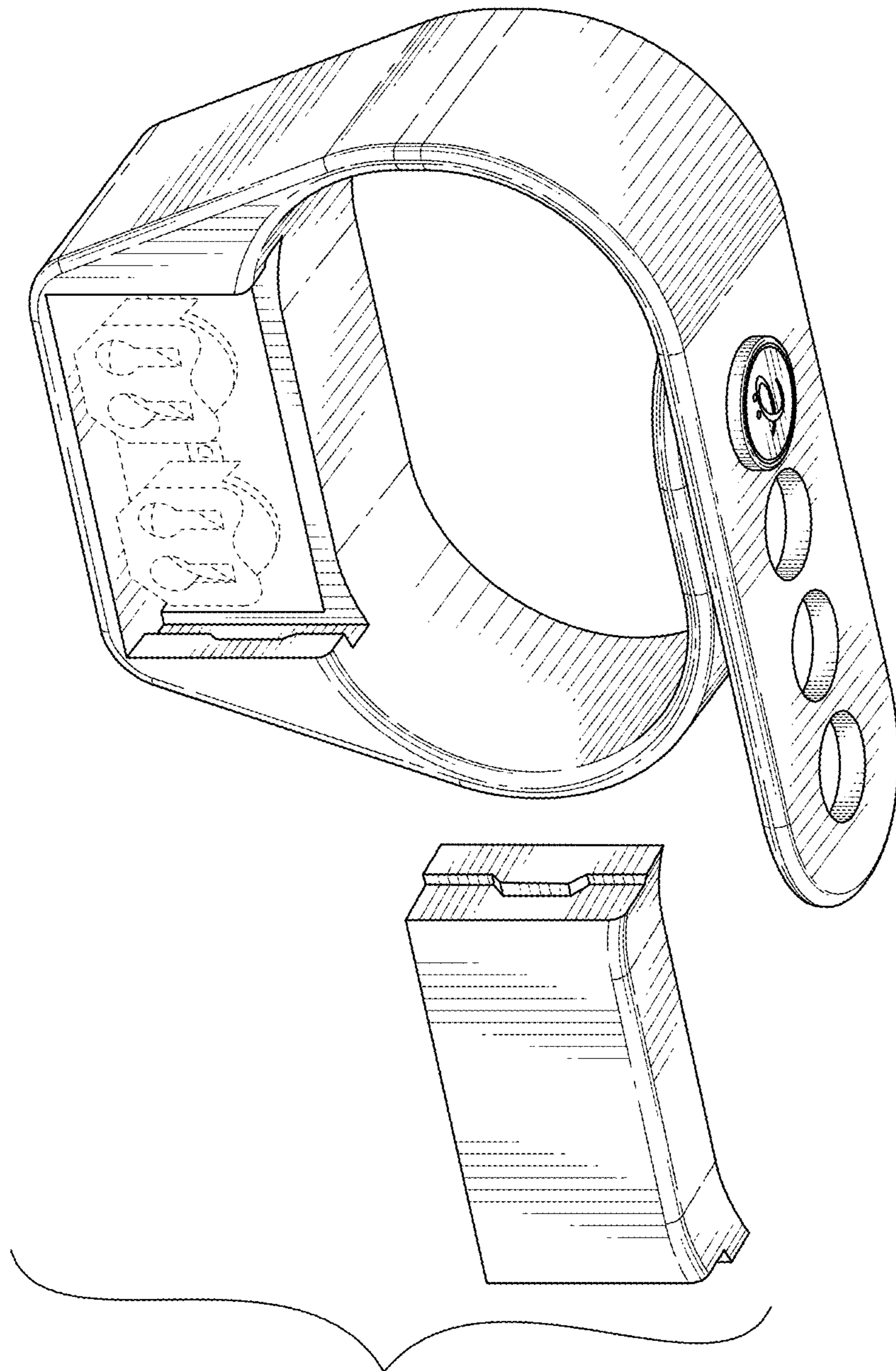


FIG. 8

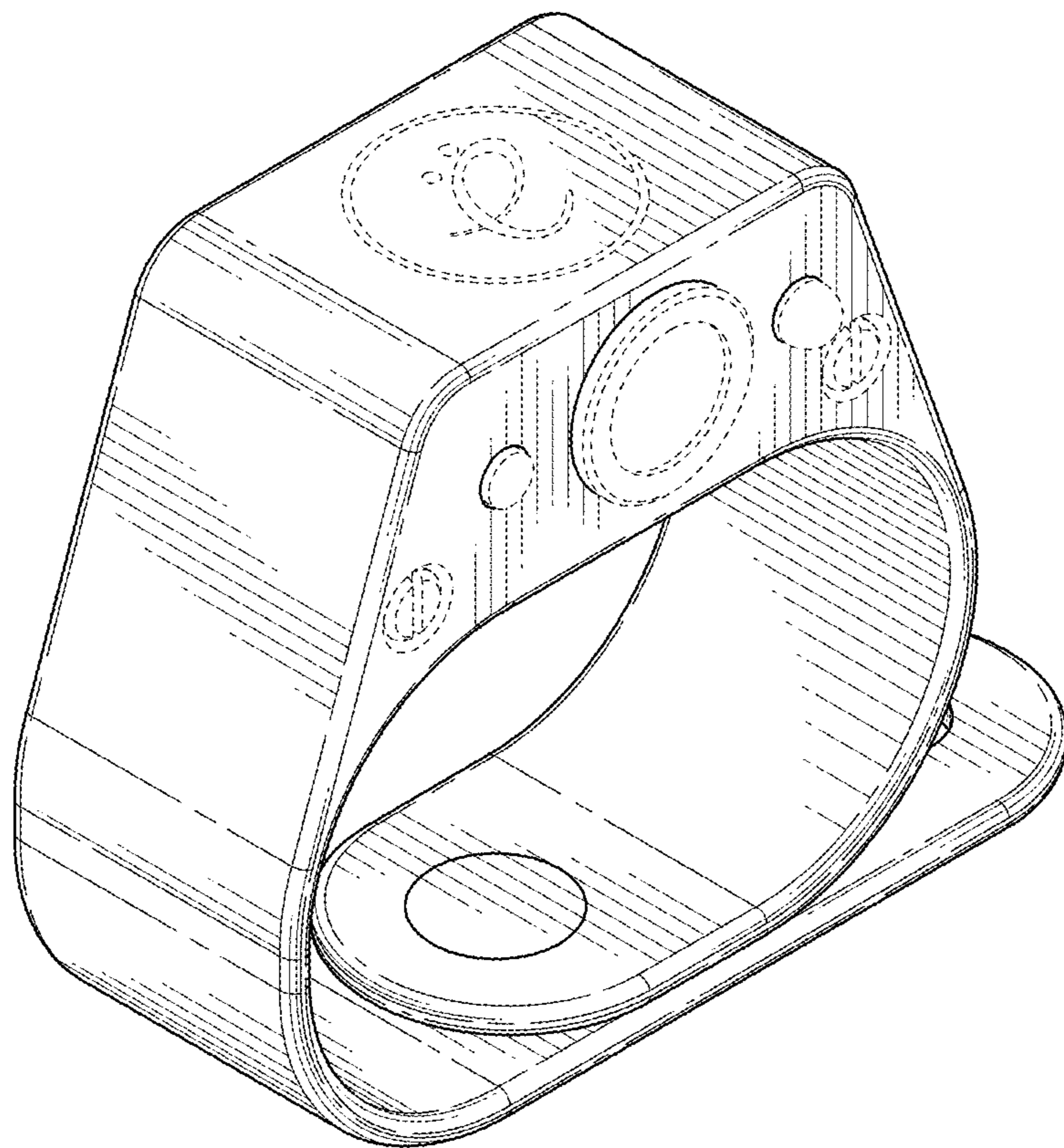


FIG. 9

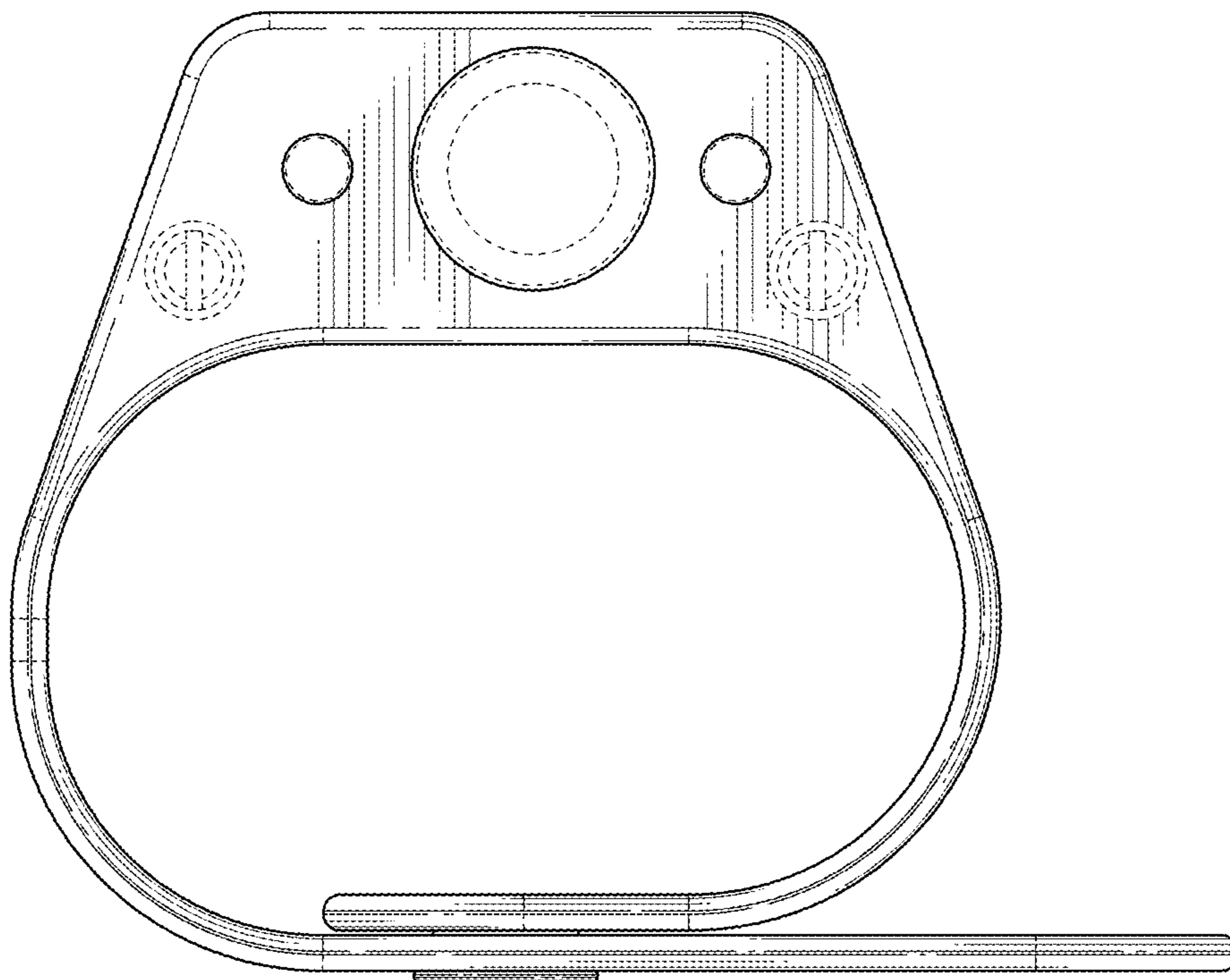


FIG. 10

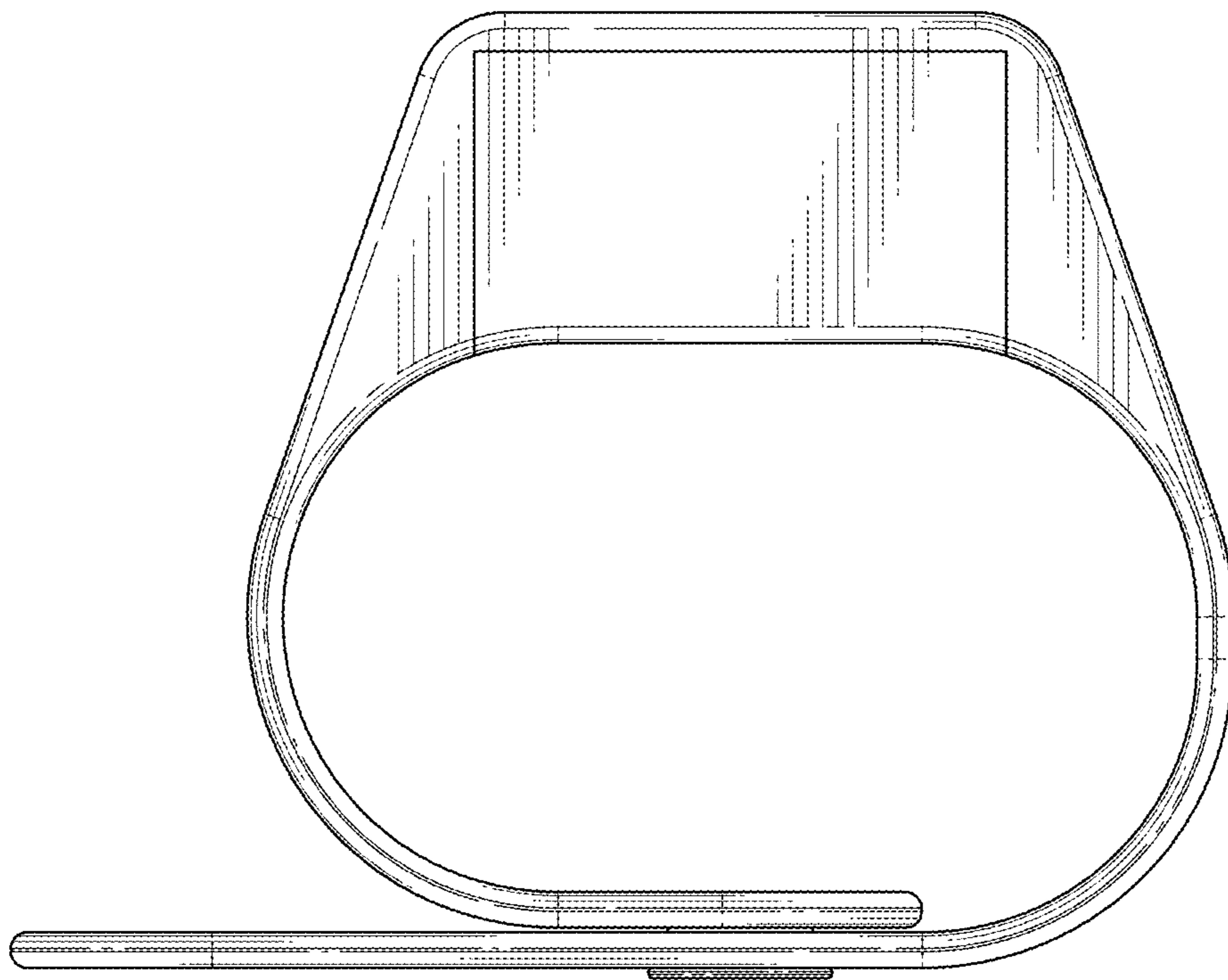


FIG. 11

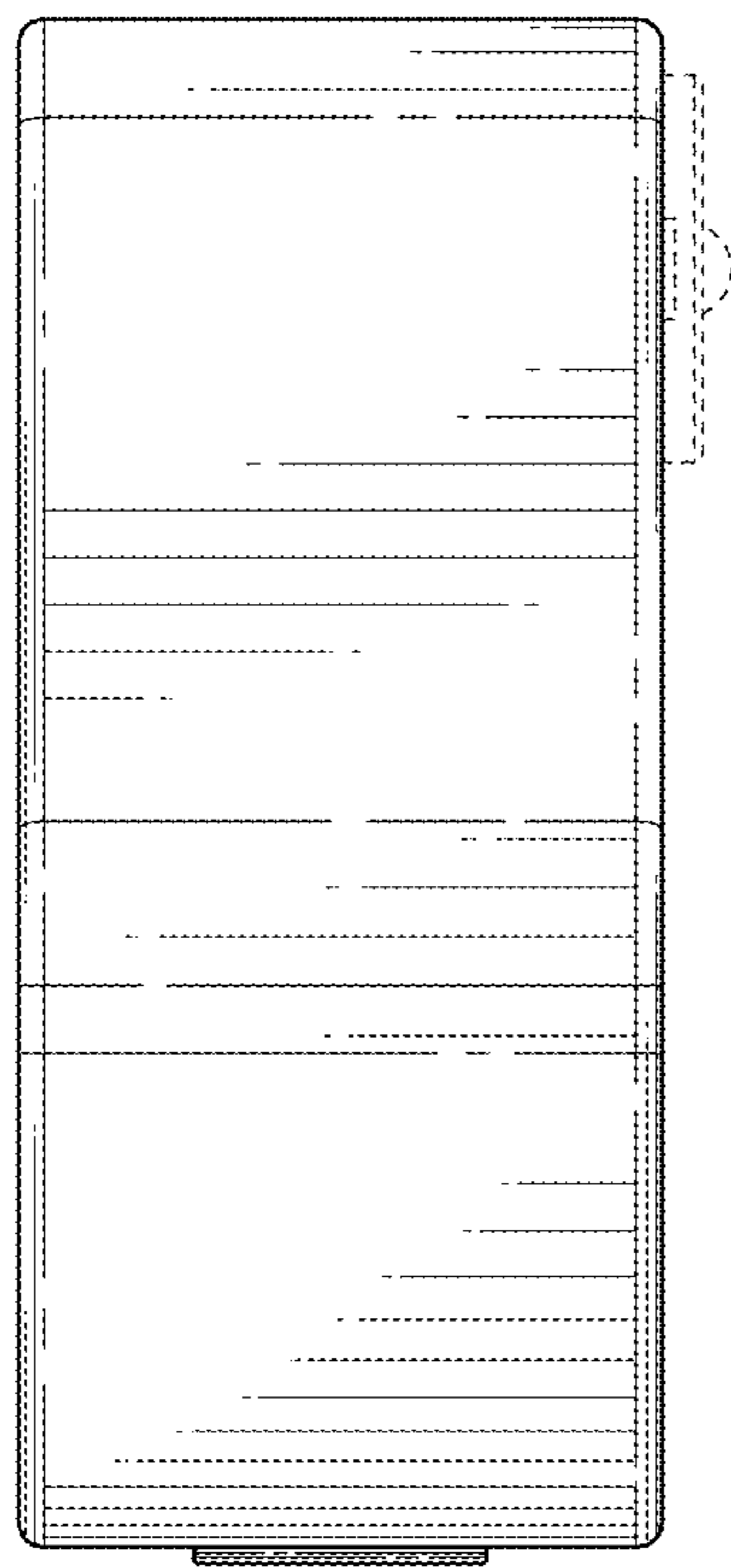


FIG. 12

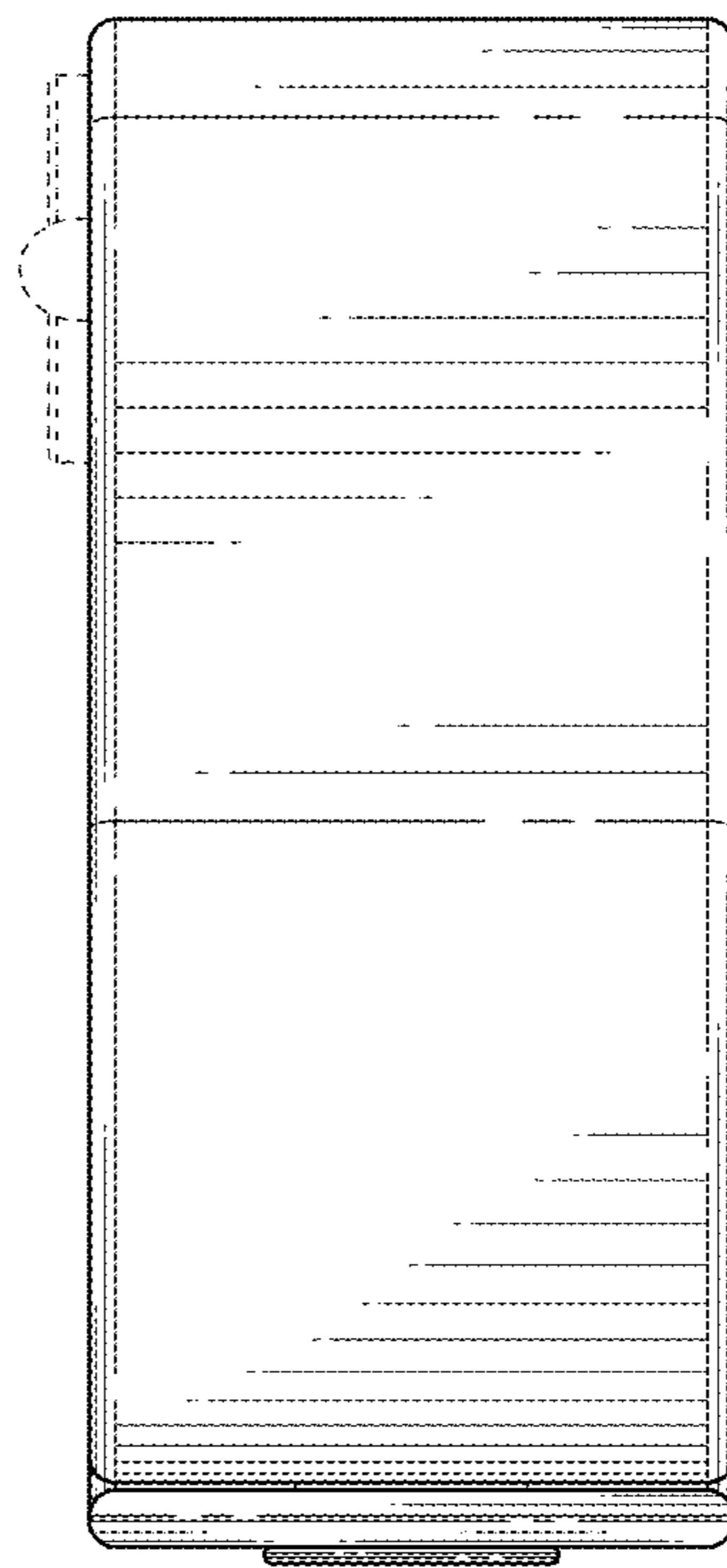


FIG. 13

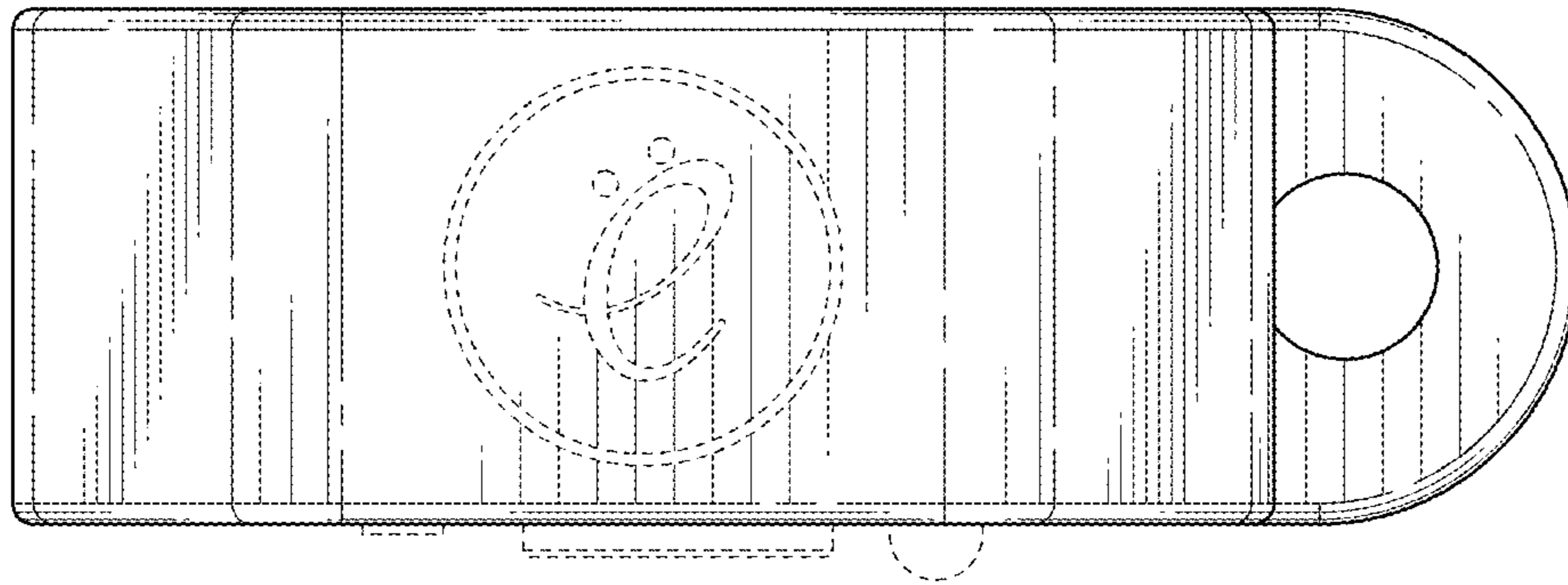


FIG. 14

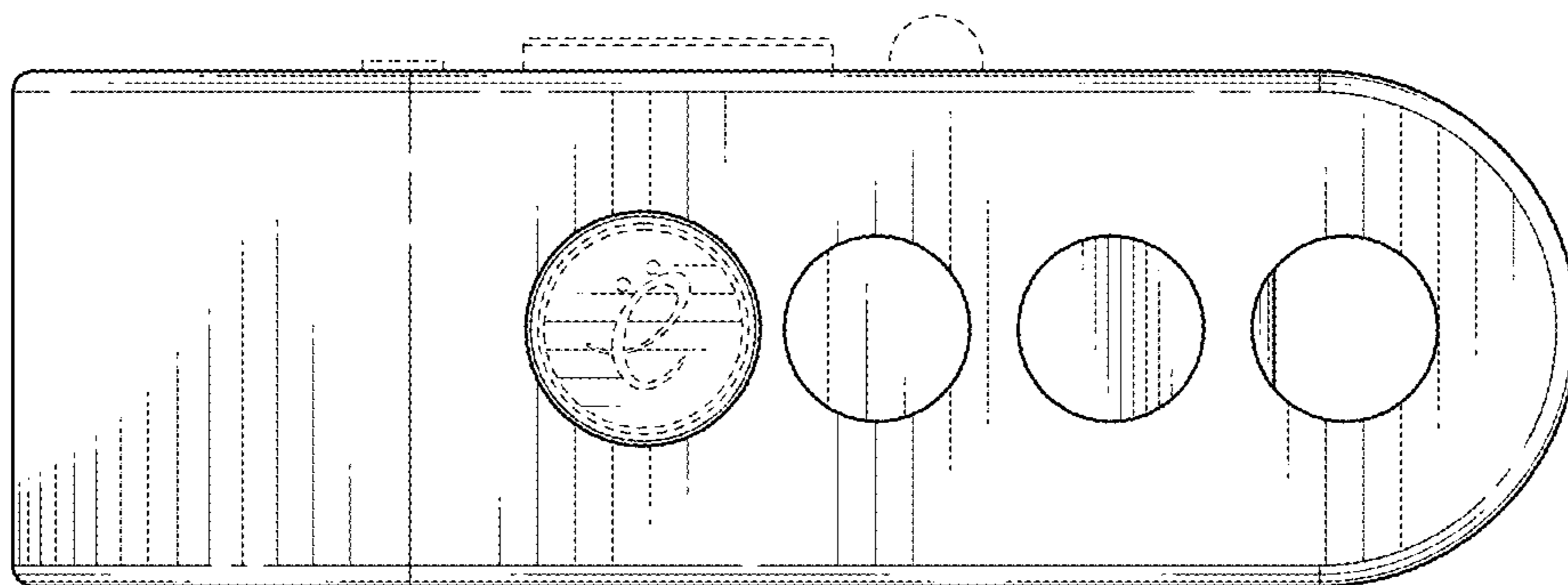


FIG. 15