



US00D772082S

(12) **United States Design Patent**
Perret et al.

(10) **Patent No.:** **US D772,082 S**

(45) **Date of Patent:** **** Nov. 22, 2016**

- (54) **WATCH**
- (71) Applicant: **HYT SA**, Neuchatel (CH)
- (72) Inventors: **Sebastien Perret**, Montmollin (CH);
Xavier Casals, Ville-d'Avray (FR)
- (73) Assignee: **HYT SA**, Neuchatel (CH)
- (**) Term: **15 Years**
- (21) Appl. No.: **29/535,983**
- (22) Filed: **Aug. 12, 2015**
- (30) **Foreign Application Priority Data**
Feb. 13, 2015 (CH) 141282
- (51) **LOC (10) Cl.** **10-02**
- (52) **U.S. Cl.**
USPC **D10/30**
- (58) **Field of Classification Search**
USPC 368/10, 15-18, 21, 28, 37, 80, 223,
368/228, 232, 276, 277, 281, 282, 285, 294,
368/295, 308, 319; D10/30-39, 1-29,
D10/122-132
CPC G04B 17/00; G04B 17/02; G04B 17/005;
G04B 17/285; G04B 37/00; G04B 37/0008;
G04B 37/0058; G04B 45/00; G04B 45/038;
G04B 45/0069; G04B 45/0076; G04B 45/02;
G04B 29/00
See application file for complete search history.

- 3,721,086 A * 3/1973 Flumm G04C 17/0075
235/91 R
- 4,086,753 A * 5/1978 Tsuchiya G04B 29/00
310/40 MM
- 4,465,378 A * 8/1984 Maurer G04B 13/00
368/80
- D562,155 S * 2/2008 Giroud D10/31
- D592,979 S * 5/2009 Arabo D10/38
- D616,311 S * 5/2010 Buchanan D10/33
- D631,375 S * 1/2011 Wilbur D10/38
- D640,572 S * 6/2011 Calce D10/32
- D660,184 S * 5/2012 Calce D10/32
- 8,355,297 B2 * 1/2013 Wilbur G04B 19/207
368/223
- D742,255 S * 11/2015 Miodrag D10/124
- 2011/0103195 A1 * 5/2011 Wilbur G04B 19/207
368/76

* cited by examiner

Primary Examiner — Susan Bennett Hattan

Assistant Examiner — Jennifer Wright

(74) *Attorney, Agent, or Firm* — Taft Stettinius &
Hollister LLP

(57) **CLAIM**

The ornamental design for a watch, as shown and described.

DESCRIPTION

FIG. 1 is a front, right side perspective view of a watch of the present invention.

FIG. 2 is a back, left side perspective view of the watch of FIG. 1.

FIG. 3 is a front side view of the watch of FIG. 1.

FIG. 4 is a back side view of the watch of FIG. 1.

FIG. 5 is a right side view of the watch of FIG. 1.

FIG. 6 is a left side view of the watch of FIG. 1.

FIG. 7 is a top side view of the watch of FIG. 1; and,

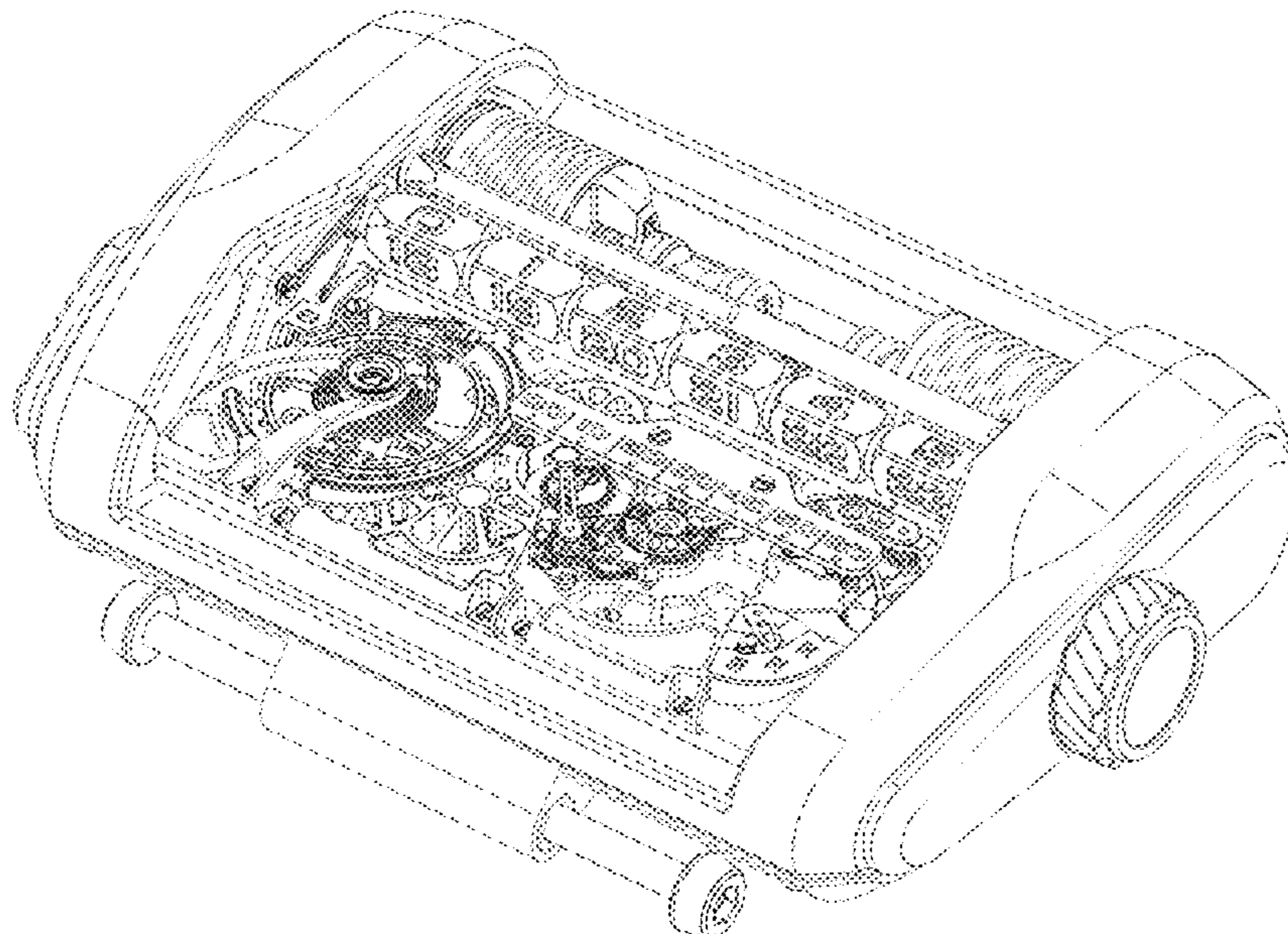
FIG. 8 is a bottom side view of the watch of FIG. 1.

1 Claim, 8 Drawing Sheets

(56) **References Cited**

U.S. PATENT DOCUMENTS

- 1,998,763 A * 4/1935 Janson G04B 19/207
368/78
- 3,690,063 A * 9/1972 Strachan G04C 17/0075
368/222



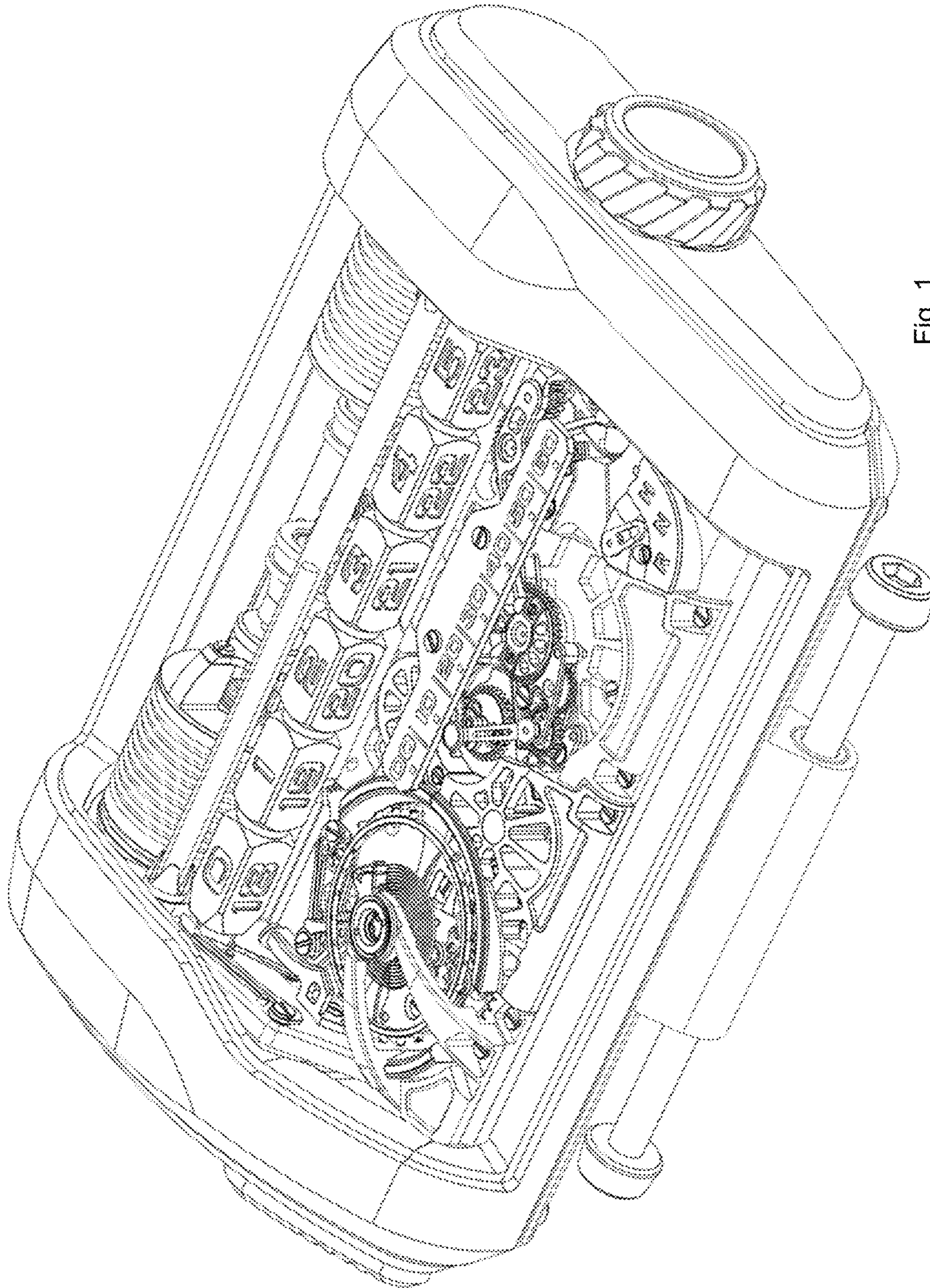


Fig. 1

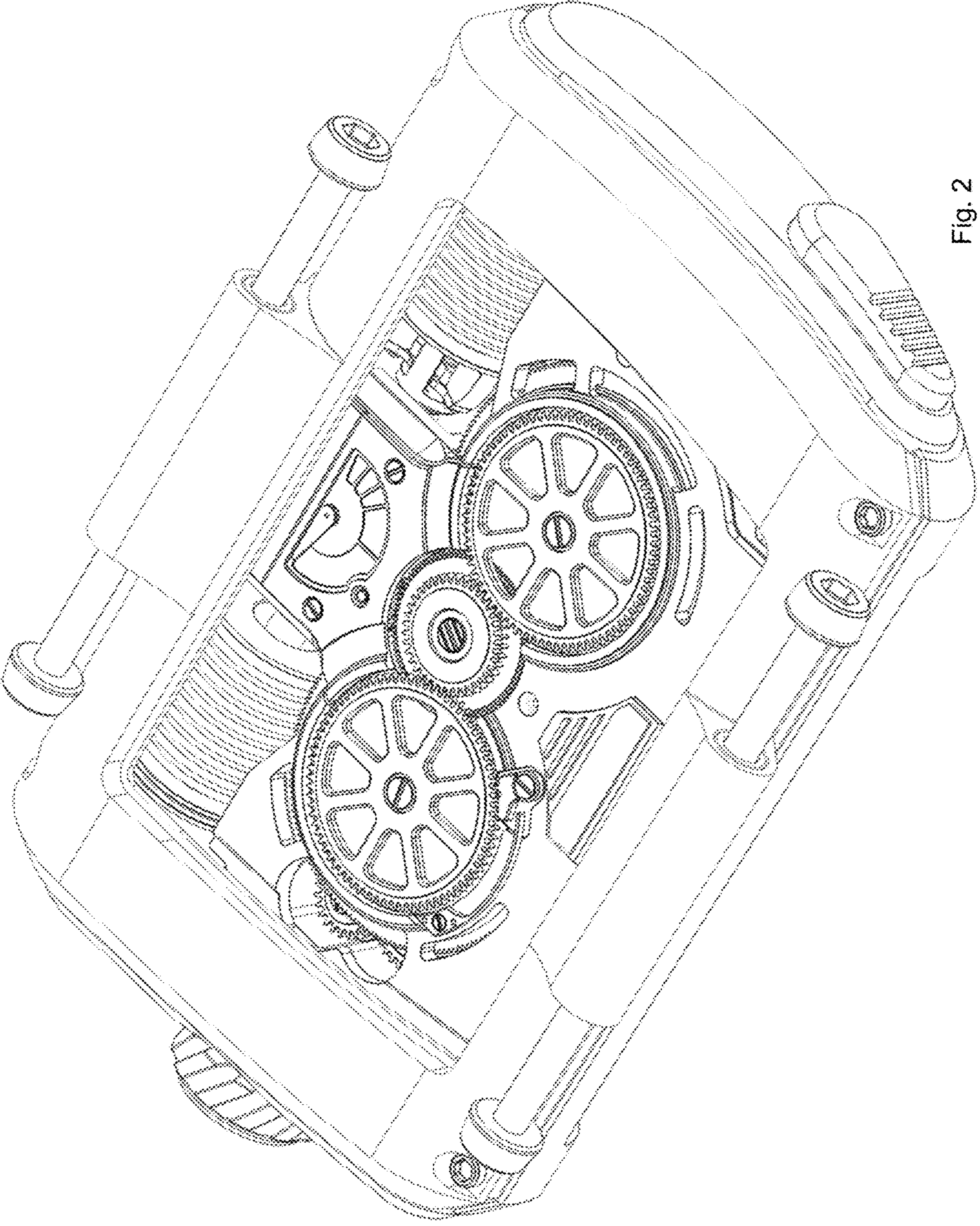


Fig. 2

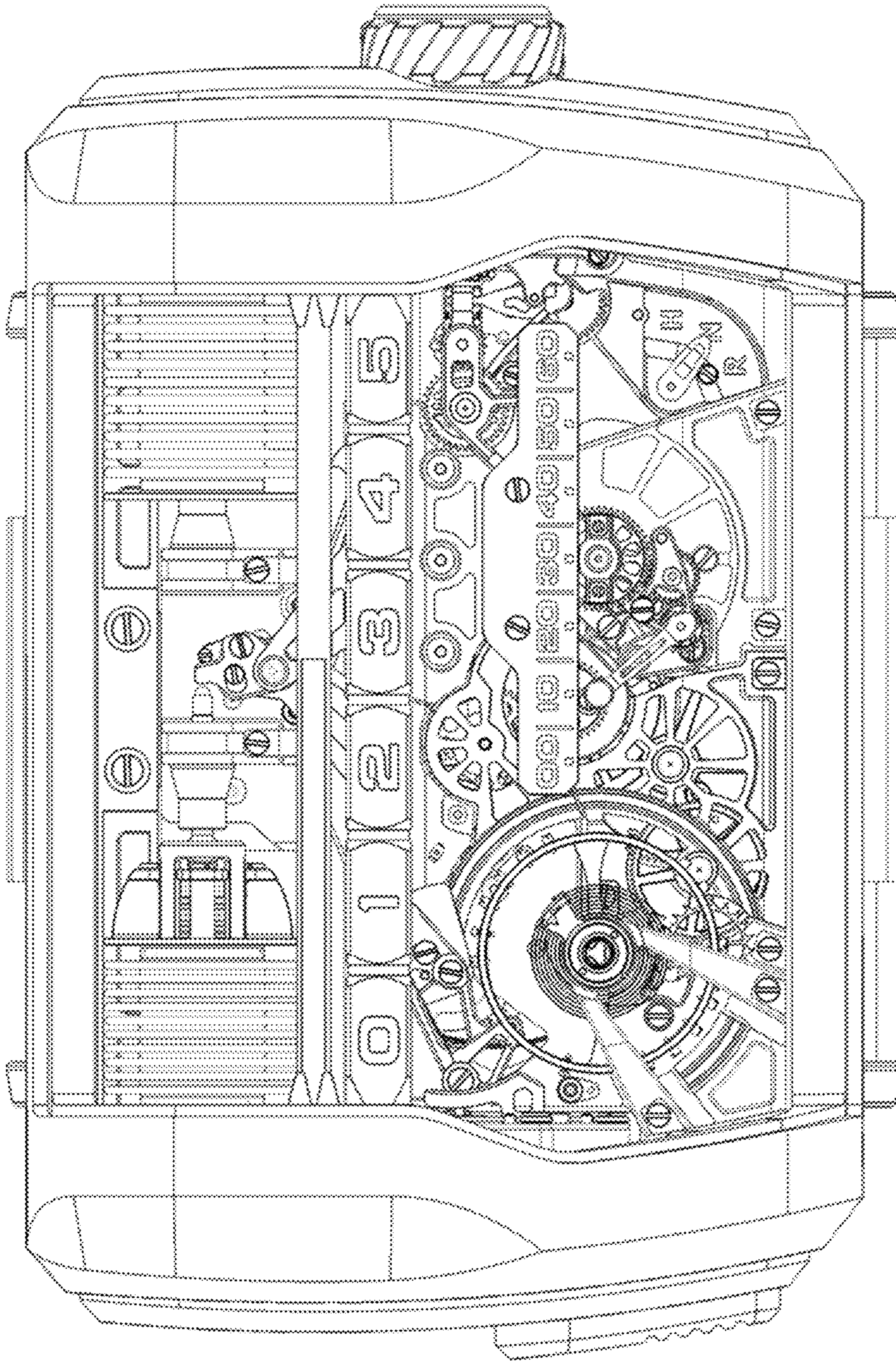


Fig. 3

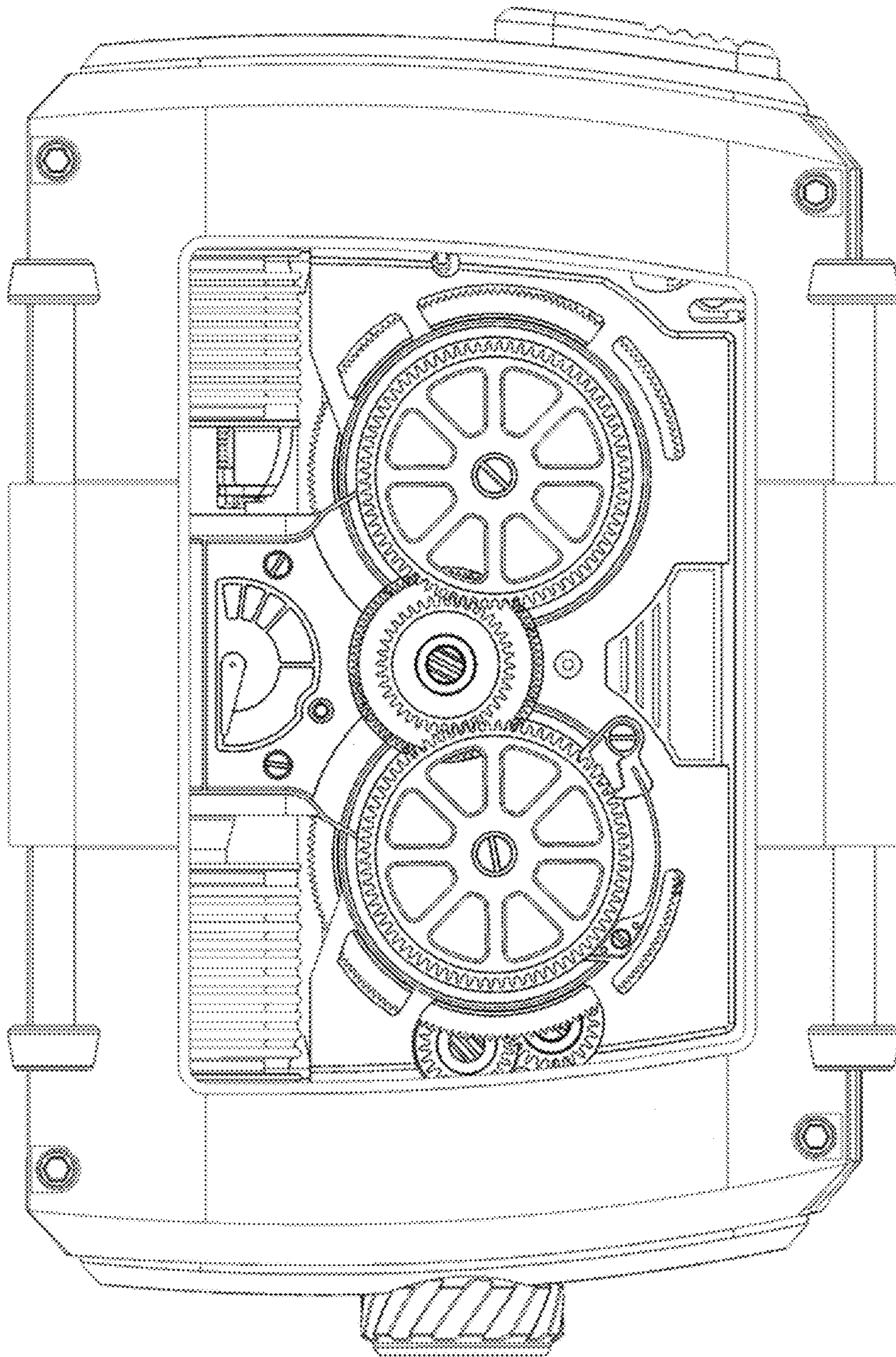


Fig. 4

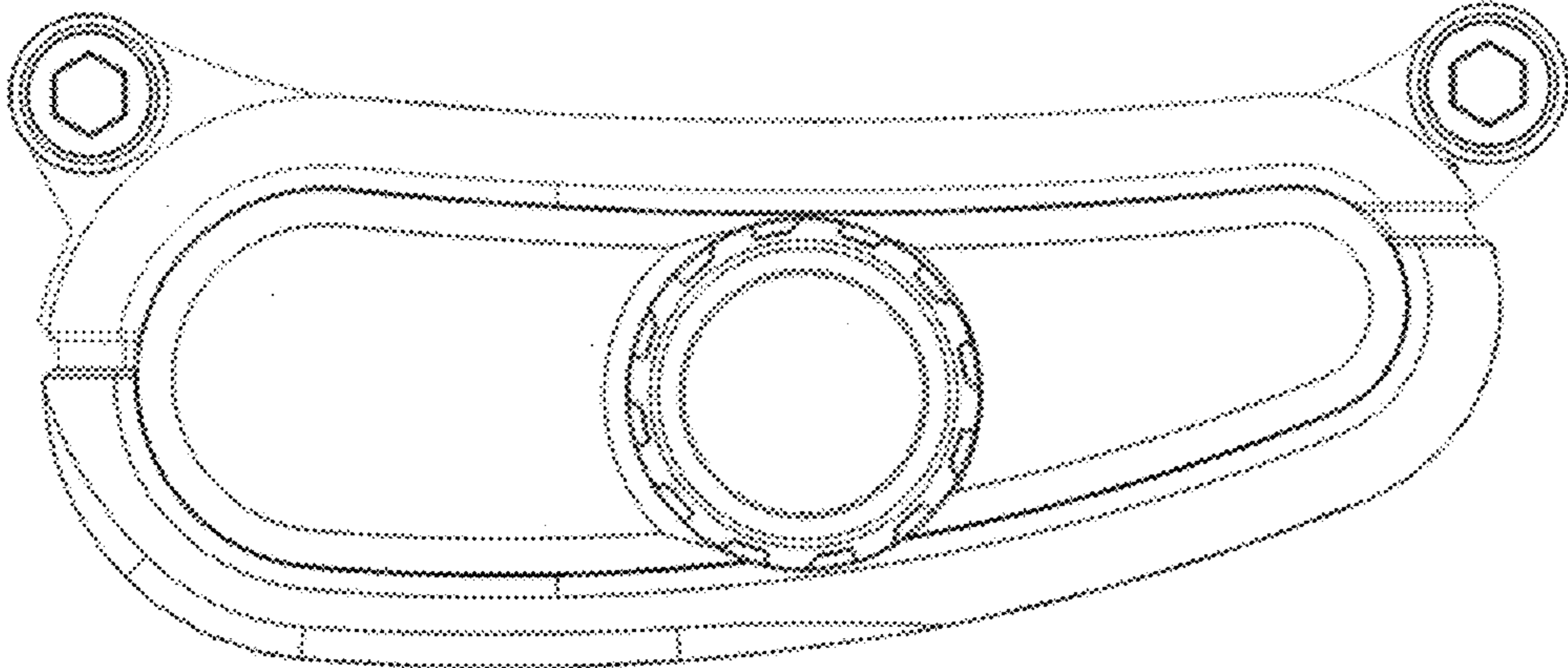


Fig. 5

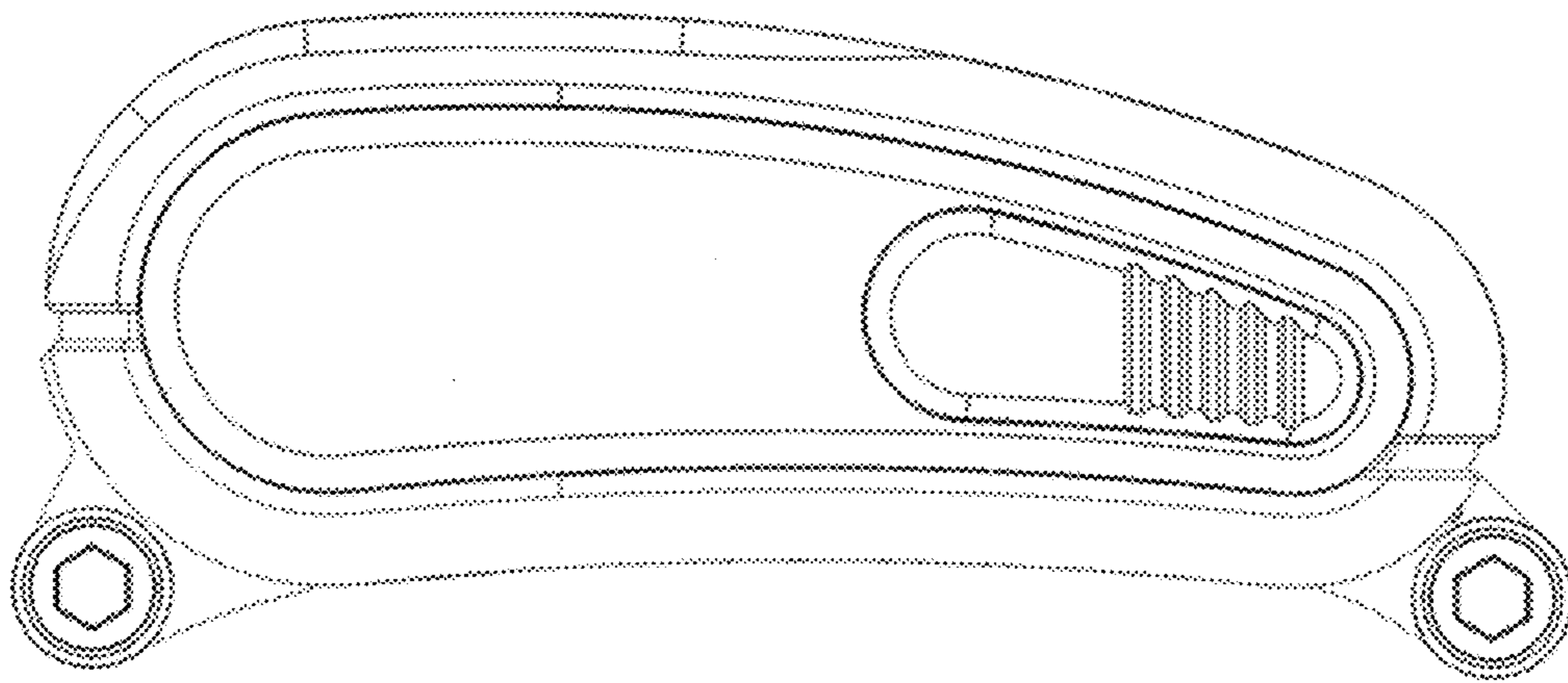


Fig. 6

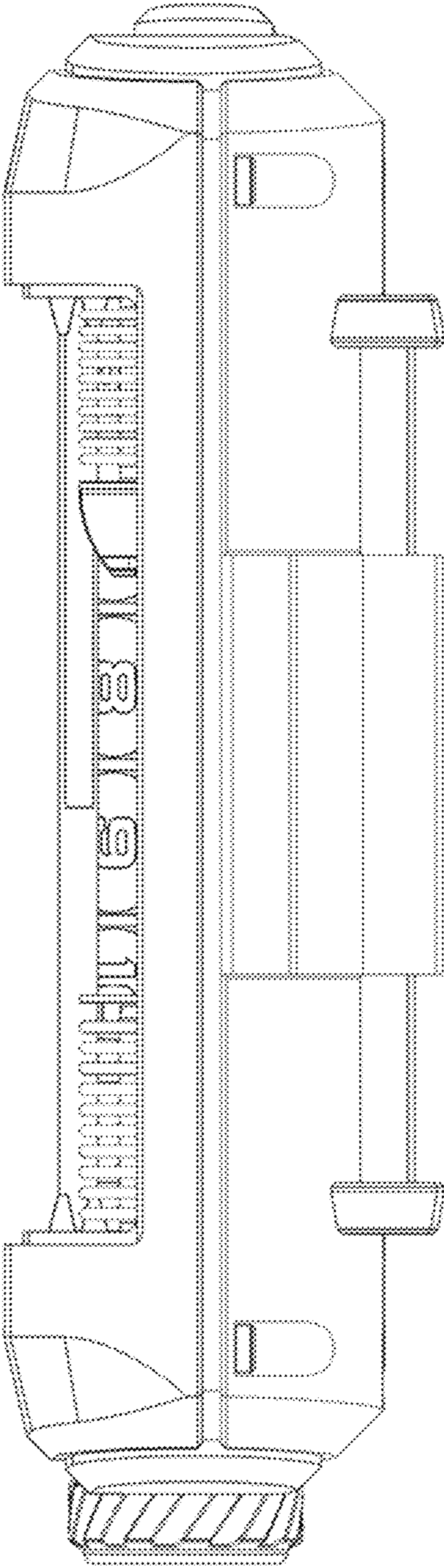


Fig. 7

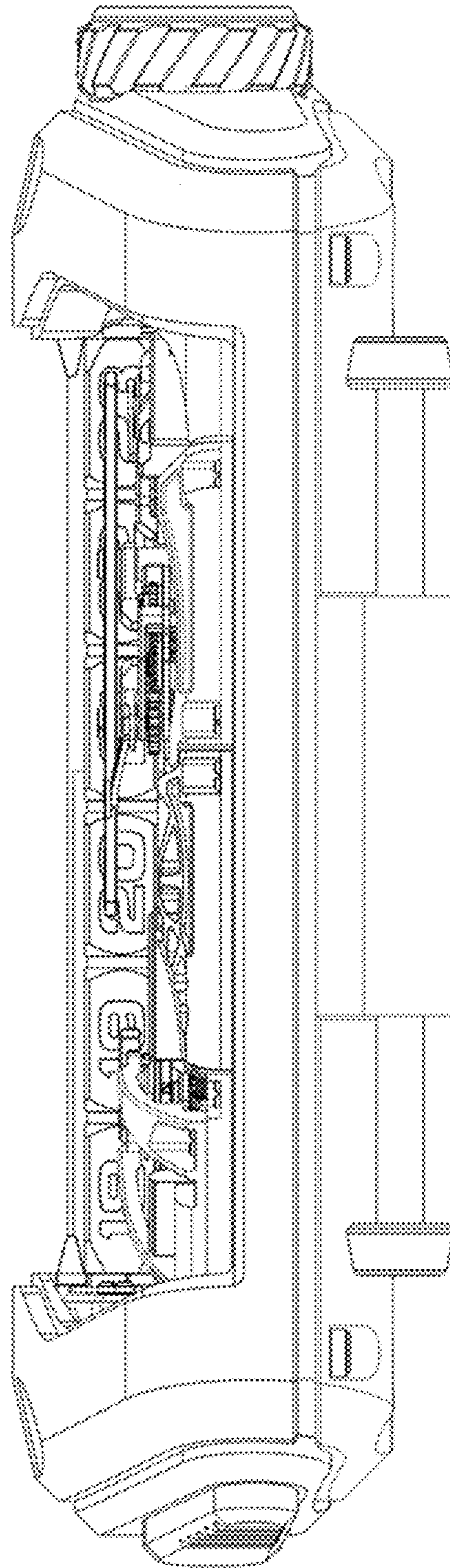


Fig. 8