



US00D772081S

(12) **United States Design Patent** (10) **Patent No.:** **US D772,081 S**
Lee et al. (45) **Date of Patent:** **** Nov. 22, 2016**

(54) **WATCH DEVICE**
(71) Applicant: **Garmin Switzerland GmbH**,
Schaffhausen (CH)
(72) Inventors: **Juhee Lee**, Olathe, KS (US); **Surajit**
Bhaduri, Overland Park, KS (US);
Aaron X. Molina, Kansas City, MO
(US); **Scott H. Wrenick**, Merriam, KS
(US)

D645,360 S * 9/2011 Kiser D10/32
D672,255 S * 12/2012 Zanella D10/32
D693,251 S * 11/2013 Anderssen D10/65
D719,123 S * 12/2014 Park D10/38
D725,497 S * 3/2015 Henne D10/38
D739,768 S * 9/2015 Hanshew D10/30
D741,726 S * 10/2015 Akana D10/30
D742,254 S * 11/2015 Greusel D10/30
D742,761 S * 11/2015 Grazian D10/30
D743,278 S * 11/2015 Solomon D10/38
D743,393 S * 11/2015 Lim D10/38

(Continued)

(73) Assignee: **Garmin Switzerland GmbH** (CH)

(**) Term: **15 Years**

(21) Appl. No.: **29/532,173**

(22) Filed: **Jul. 2, 2015**

(51) **LOC (10) Cl.** **10-02**

(52) **U.S. Cl.**
USPC **D10/30; D10/38**

(58) **Field of Classification Search**
USPC D10/30-39, 1-29, 122-132; 368/10,
368/15-18, 21, 28, 37, 80, 223, 228, 232,
368/276, 277, 281, 282, 285, 294, 295, 308,
368/319

CPC G04B 17/00; G04B 17/02; G04B 17/005;
G04B 17/285; G04B 37/00; G04B 37/0008;
G04B 37/0058; G04B 45/00; G04B 45/0038;
G04B 45/0069; G04B 45/0076; G04B 45/02;
G04B 29/00

See application file for complete search history.

(56) **References Cited**

U.S. PATENT DOCUMENTS

D305,422 S * 1/1990 Steer D14/244
D366,036 S * 1/1996 Houlihan D10/30
D528,441 S * 9/2006 Burton D10/38
D528,928 S * 9/2006 Burton D10/38
D535,205 S * 1/2007 Frederick D10/104.1

OTHER PUBLICATIONS

Garmin Forerunner® 10 Owner's Manual, published Aug. 2012.

(Continued)

Primary Examiner — Susan Bennett Hattan

Assistant Examiner — Jennifer Wright

(74) *Attorney, Agent, or Firm* — Samuel M. Korte; Max
M. Ali

(57) **CLAIM**

The ornamental design for a watch device, as shown and
described.

DESCRIPTION

FIG. 1 is a front perspective view of a watch device
according to the present invention;

FIG. 2 is a rear perspective view of the watch device;

FIG. 4 is a front view of the watch device;

FIG. 5 is a bottom view of the watch device;

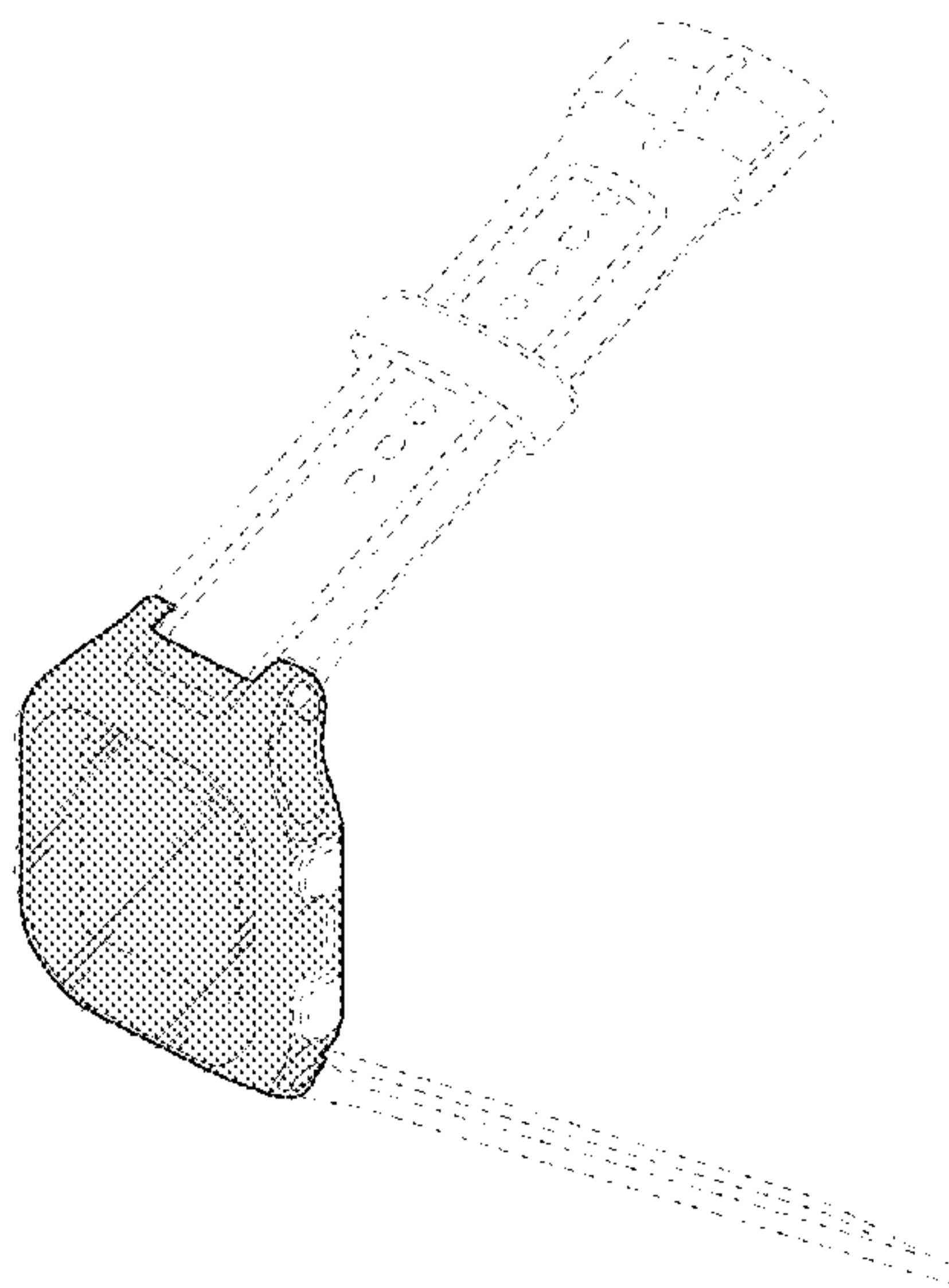
FIG. 6 is a rear view of the watch device;

FIG. 7 is a left side view of the watch device; and,

FIG. 8 is a right side view of the watch device.

The broken lines shown in FIGS. 1 through 8 represent
portions of the electronic device that form no part of the
claimed design.

1 Claim, 4 Drawing Sheets



(56)

References Cited

U.S. PATENT DOCUMENTS

D743,820	S	*	11/2015	Song	D10/30
D745,005	S	*	12/2015	Kim	D10/38
D745,421	S	*	12/2015	Akana	D10/32
D746,702	S	*	1/2016	Galli	D10/30
D746,707	S	*	1/2016	Akana	D10/39
D747,978	S	*	1/2016	Babcock	D10/30
D751,067	S	*	3/2016	Nousiainen	D10/38
D751,550	S	*	3/2016	Solomon	D10/38
D751,928	S	*	3/2016	Shaanan	D10/38
D756,357	S	*	5/2016	Akana	D10/30
D756,824	S	*	5/2016	Akana	D10/103

OTHER PUBLICATIONS

Garmin Edge® 20/25 Owner's Manual, published Jun. 2015.
Printout from [www.theaaronloy.com/wp-content/uploads/2013/07/Casio-MT-G G-Shock-Watch.jpg](http://www.theaaronloy.com/wp-content/uploads/2013/07/Casio-MT-G-G-Shock-Watch.jpg) published prior to Jul. 2, 2015.
Printout from <http://www.casio.com/products/Watches/Classic/W800H-1AV/> published prior to Jul. 2, 2015.
Printout from <http://www.casio.com/products/Watches/Sports/SDB100-4A/>.
Printout from <http://www.casio.com/products/archive/Watches/G-Shock/DW5000SL-1/>.

* cited by examiner

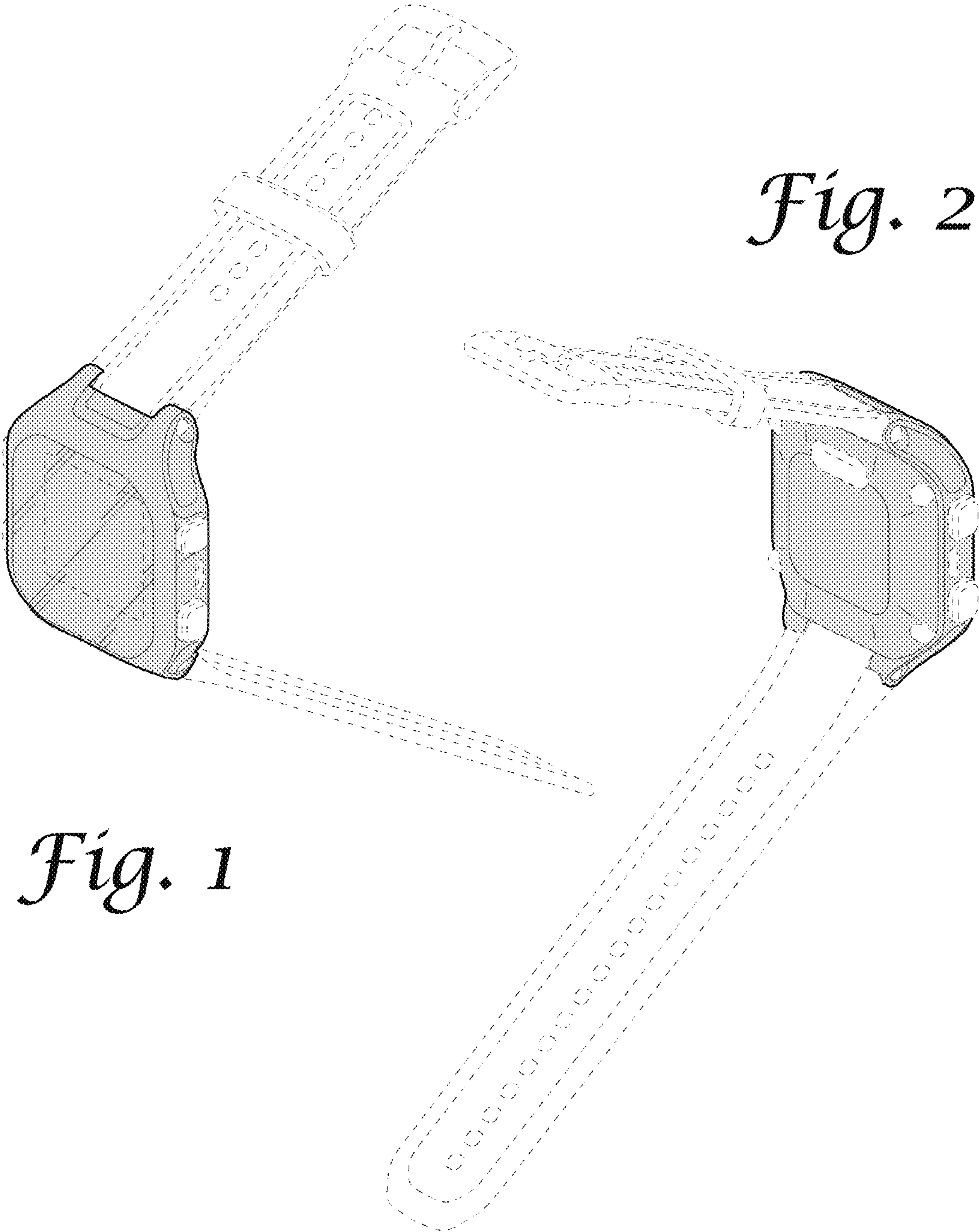


Fig. 3

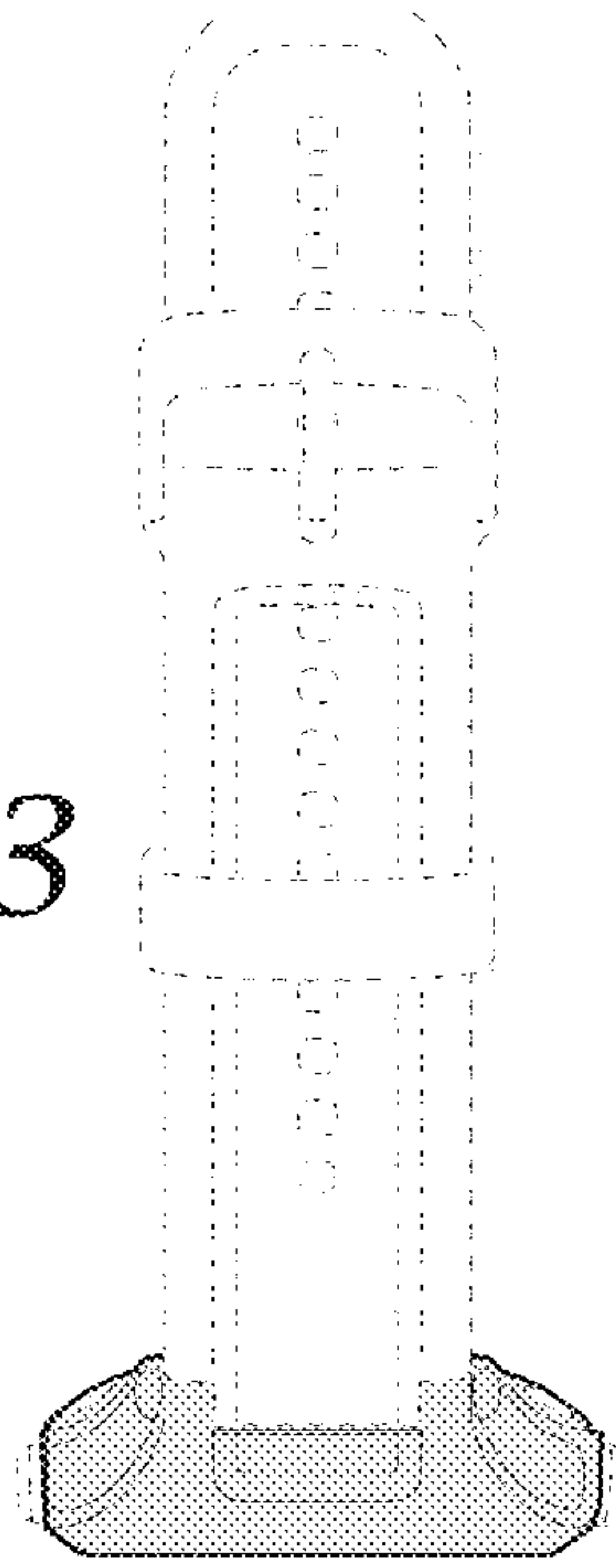


Fig. 4

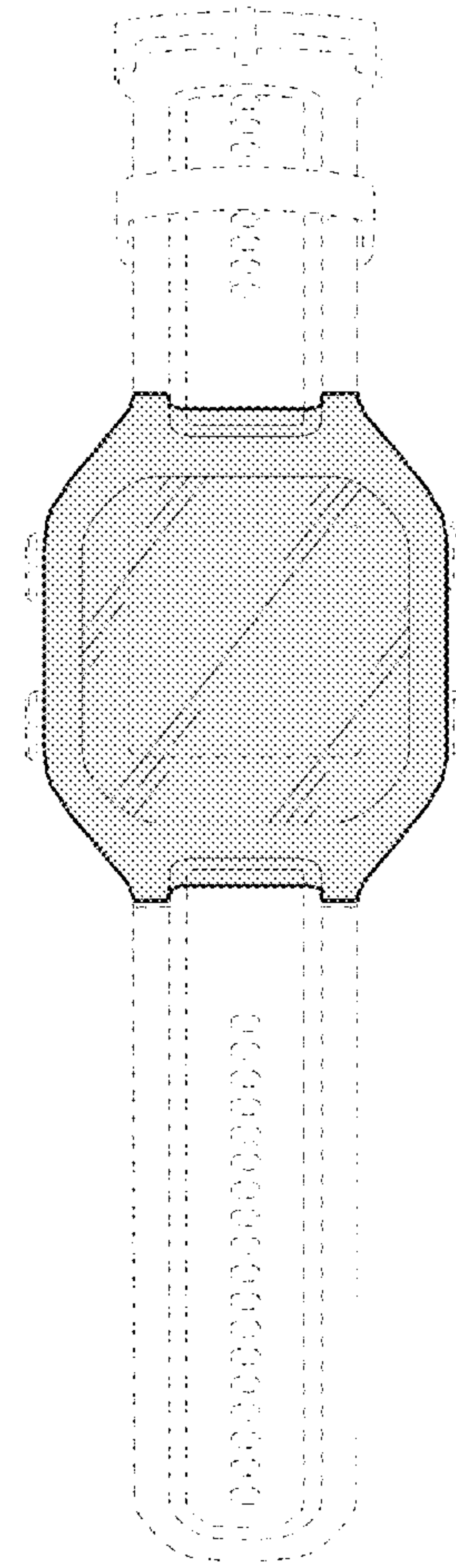
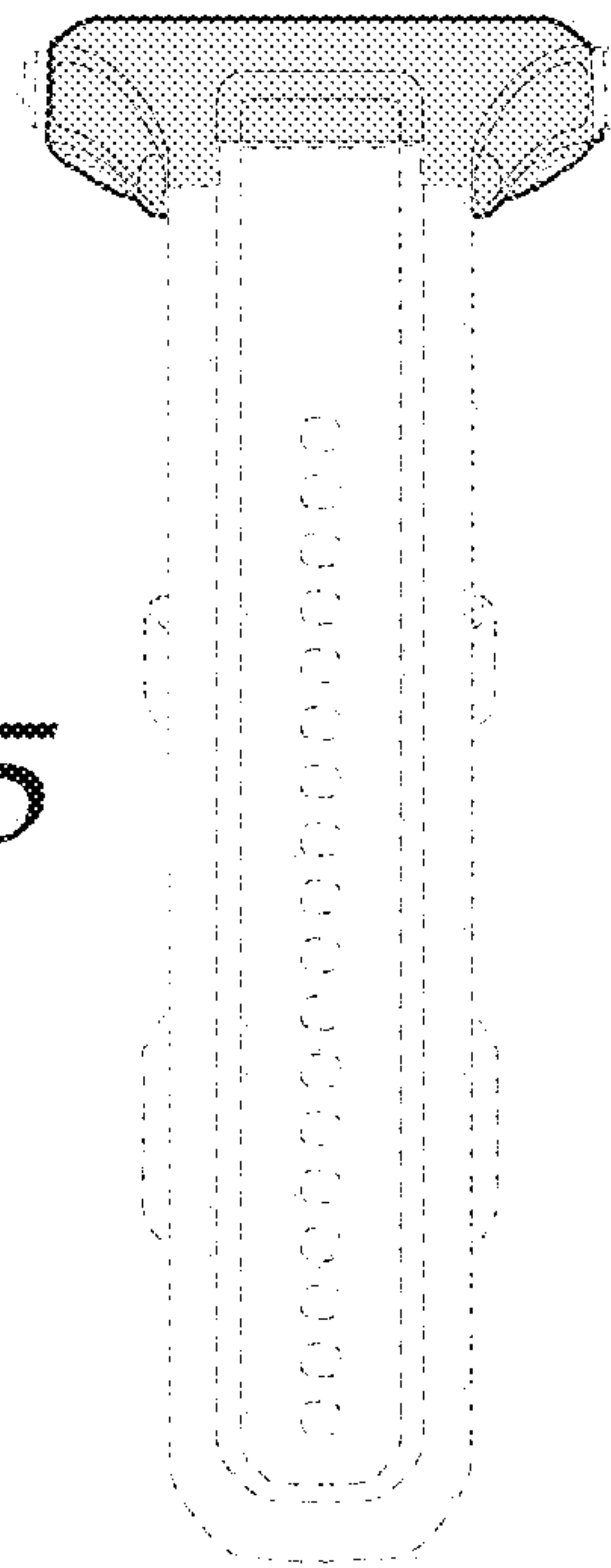


Fig. 5



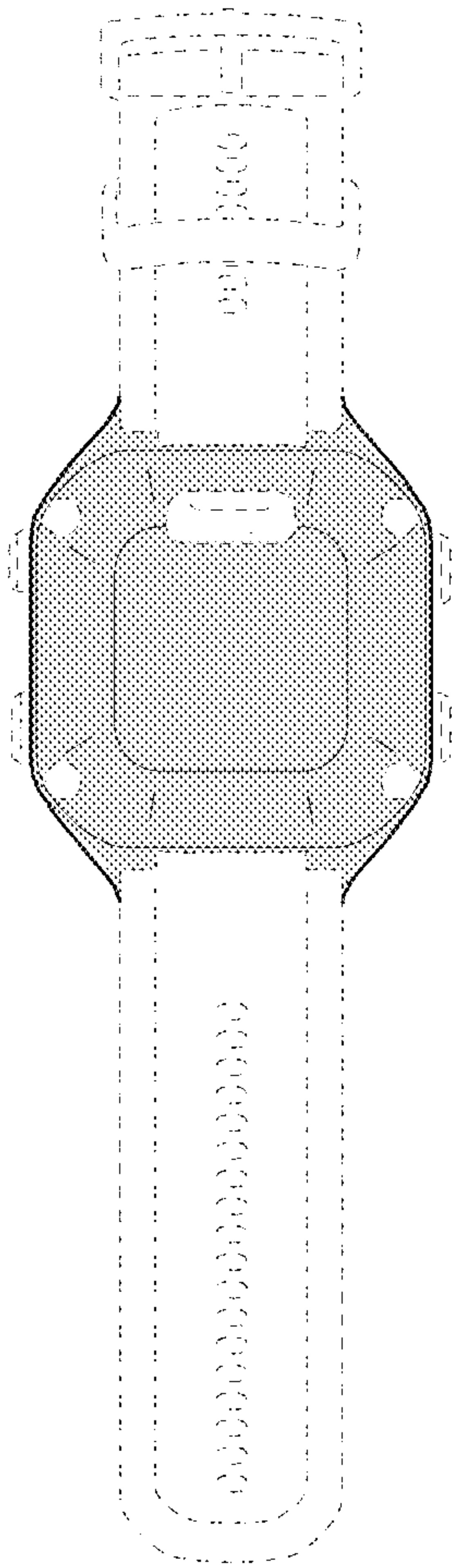


Fig. 6

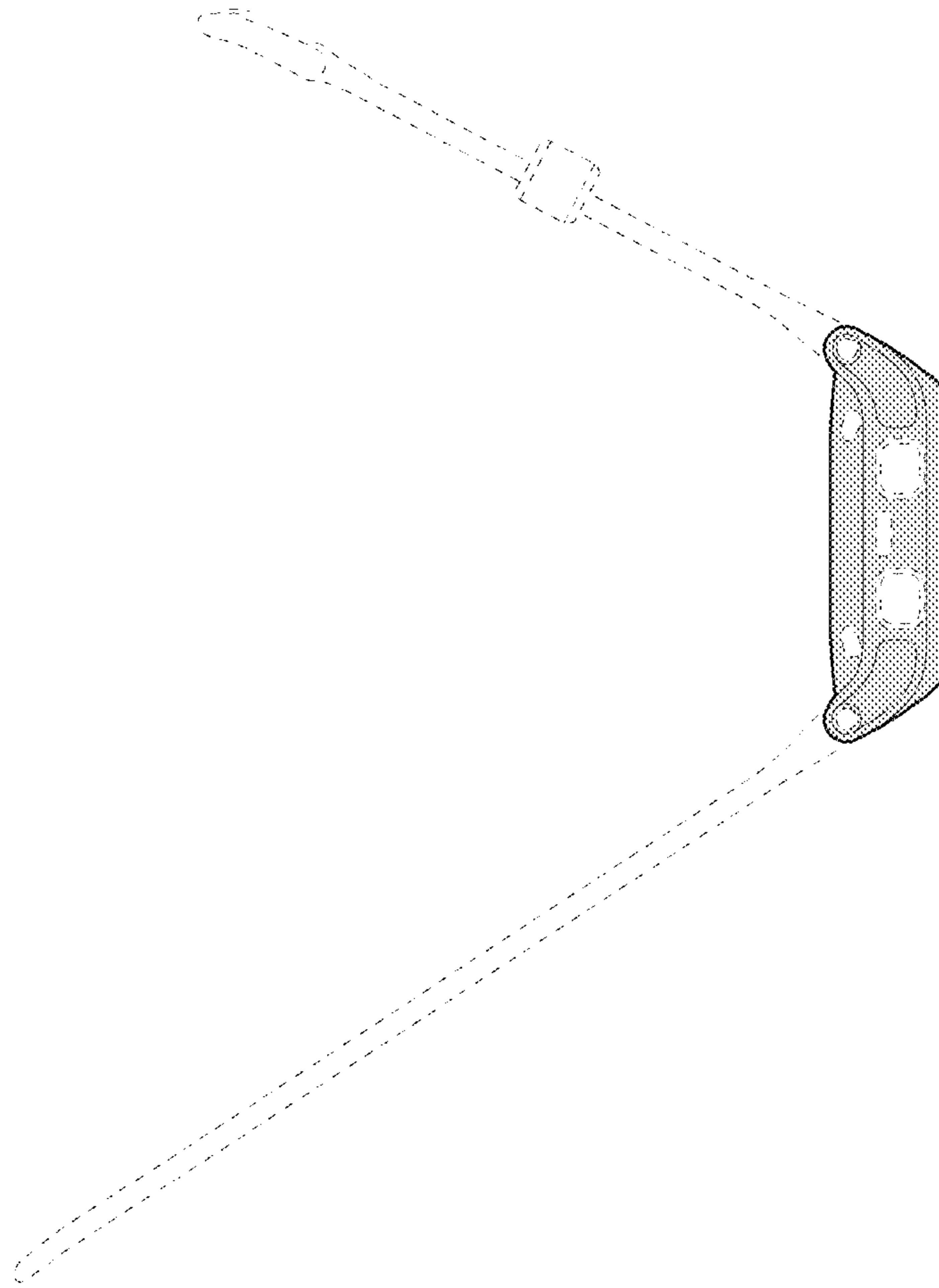


Fig. 7

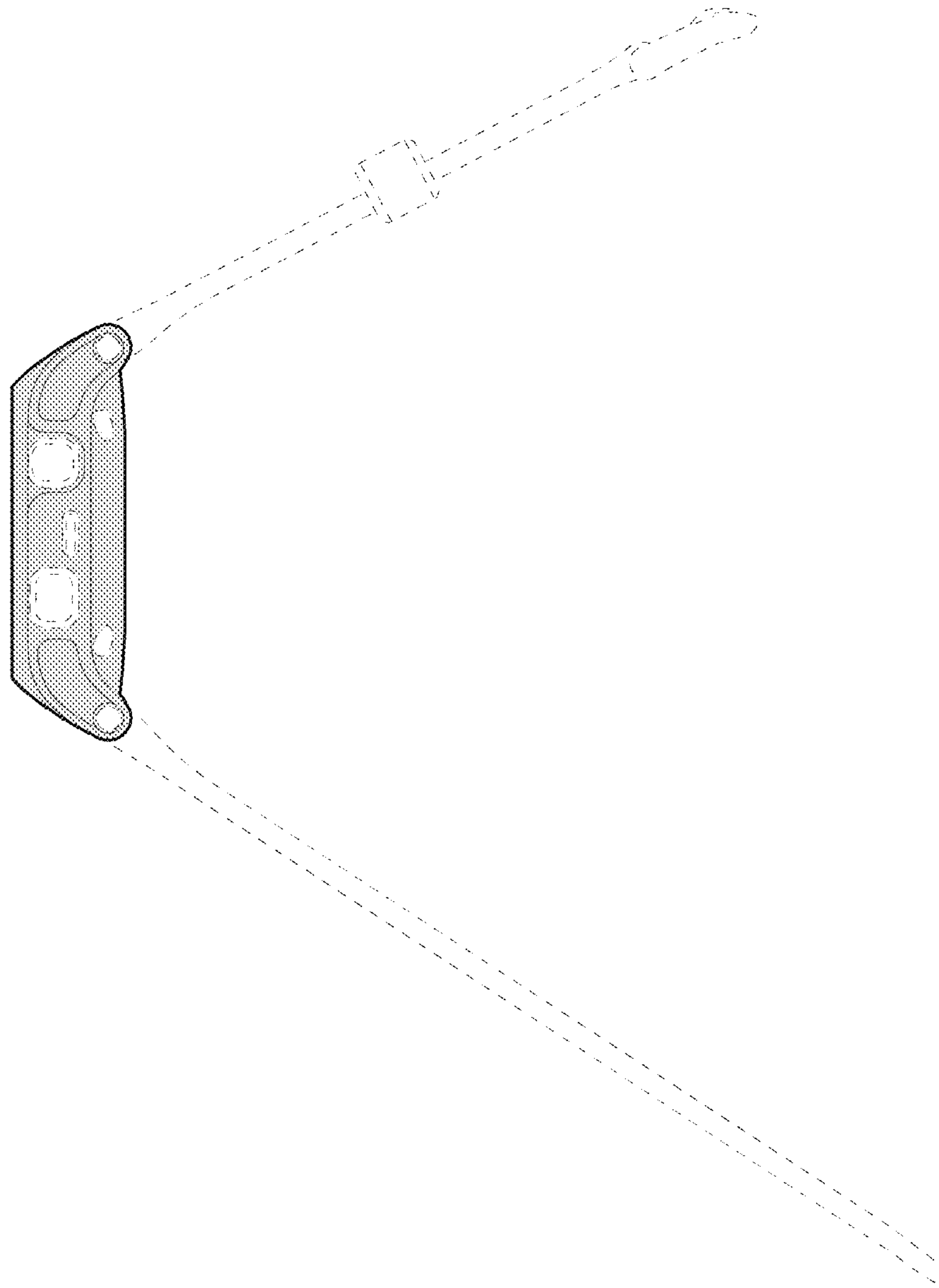


Fig. 8