



US00D772078S

(12) **United States Design Patent** (10) **Patent No.:** **US D772,078 S**
Shoshan et al. (45) **Date of Patent:** **** Nov. 22, 2016**

(54) **TRAY**

CPC A47G 19/00; A47G 19/02; A47G 19/065;
B65D 1/34; B65D 21/00; B65D 21/0204
See application file for complete search history.

(71) Applicants: **FIVESTAR GOURMET FOODS, INC.**, Ontario (CA); **DIRECT PACK, INC.**, Sun Valley, CA (US)

(56) **References Cited**

(72) Inventors: **Tal Shoshan**, Alta Loma, CA (US); **Kevin-Dirk Pesirla Closas**, Colton, CA (US); **Cesar E. Ramirez**, Hacienda Heights (CA)

U.S. PATENT DOCUMENTS

(73) Assignee: **Direct Pack, Inc.**, Azusa, CA (US)

D111,504 S *	9/1938	Bennett	220/23.83
D235,576 S *	6/1975	Fink	D14/168
D419,869 S *	2/2000	Loew	D9/761
D684,430 S *	6/2013	Holding	D7/555
D695,077 S *	12/2013	Chase	D7/555
D698,666 S *	2/2014	Sifuentes	D9/425
D707,494 S *	6/2014	Weber	D7/555
D720,629 S *	1/2015	Snedden	D9/425
D723,391 S *	3/2015	Snedden	D9/425
D728,383 S *	5/2015	Sifuentes	D9/425

(**) Term: **15 Years**

* cited by examiner

(21) Appl. No.: **29/544,292**

(22) Filed: **Nov. 10, 2015**

Primary Examiner — Cathron Brooks

(51) **LOC (10) Cl.** **09-03**

Assistant Examiner — Teddy Falloway

(52) **U.S. Cl.**

USPC **D9/756**

(74) *Attorney, Agent, or Firm* — Frost Brown Todd LLC

(58) **Field of Classification Search**

USPC D9/341, 347, 414-432, 440, 444, 447, D9/449, 450-454, 503, 504, 737, 759, D9/761; D7/672, 601, 550.1, 551.1, 551.2, D7/551.3, 552.1, 552.2, 553.1, 553.2, D7/553.3, 553.4, 553.5, 553.7, 553.8, D7/554.1, 554.3, 555, 557, 602, 629, 630, D7/538-542, 612-615, 584, 586, 587, D7/392.1, 709, 502, 608, 622, 701, 703, D7/543-549, 317-319, 391, 392, 396.2, D7/510, 511; D3/273, 201-206, 276, 283, D3/284, 295, 274, 302; 229/107, 406, 120, 229/125.17; 220/669-673, 675, 574-575, 220/573.1, 4.21, 660, 326, 236, 780-806, 220/4.24, 288, 260, 266, 306, 352, 356, 220/523, 23.8, 23.2, 23.83, 23.4, 662, 700, 220/701, 703, 711, 713-715, 719; 190/109, 190/110; 426/106; 206/216, 217, 541-550, 206/518, 557, 558, 561, 564, 223, 467; 215/211, 200, 224, 243; 249/126, 134

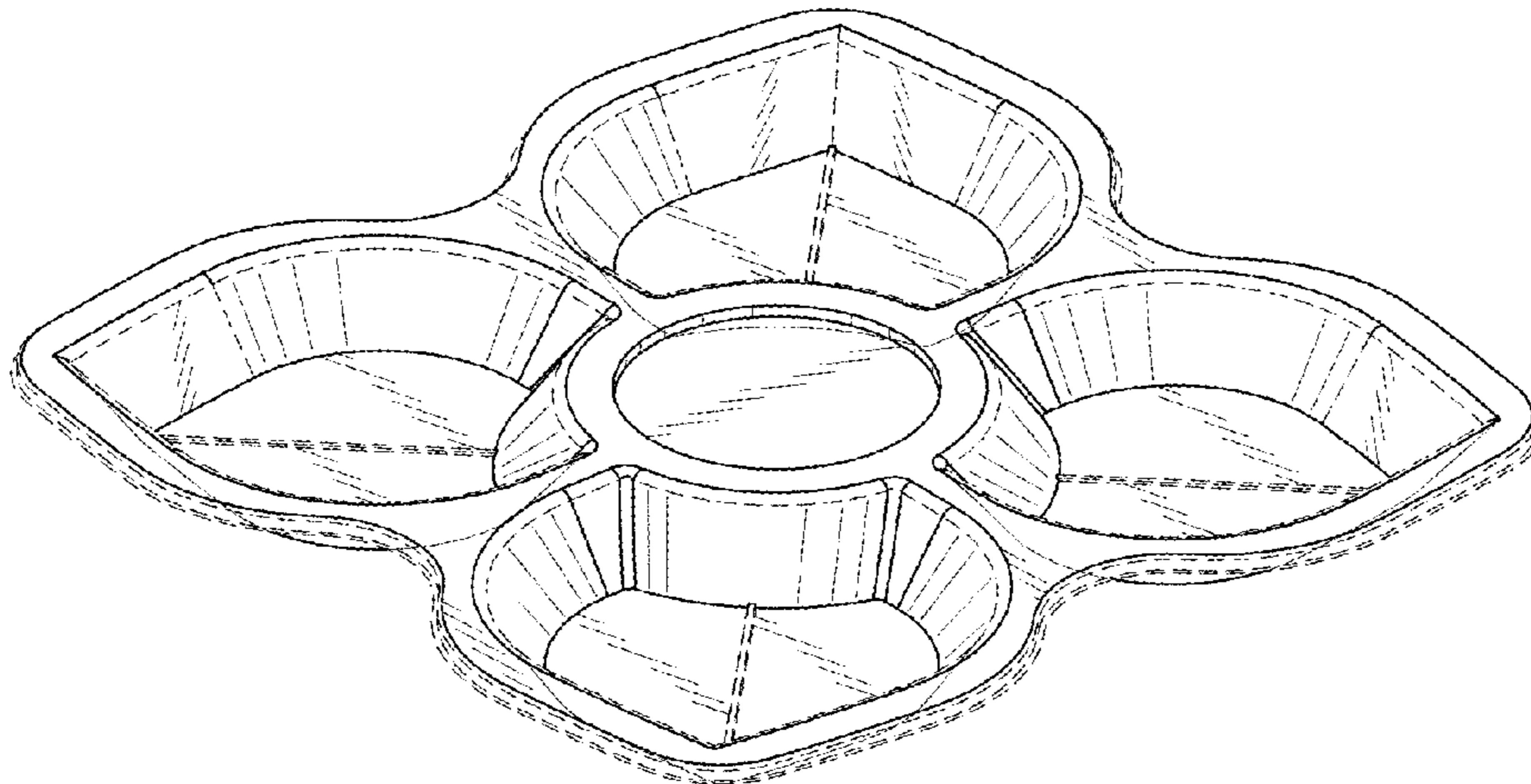
(57) **CLAIM**

The ornamental design for a tray, as shown and described.

DESCRIPTION

FIG. 1 is a top perspective view of the tray; FIG. 2 is a bottom perspective view thereof; FIG. 3 is a front elevation view thereof; FIG. 4 is a rear elevation view thereof; FIG. 5 is a left elevation view thereof; FIG. 6 is a right elevation view thereof; FIG. 7 is a top plan view thereof; and, FIG. 8 is a bottom plan view thereof. The broken lines showing tray elements is included for the purpose of illustrating portions of the tray and forms no part of the claimed design.

1 Claim, 8 Drawing Sheets



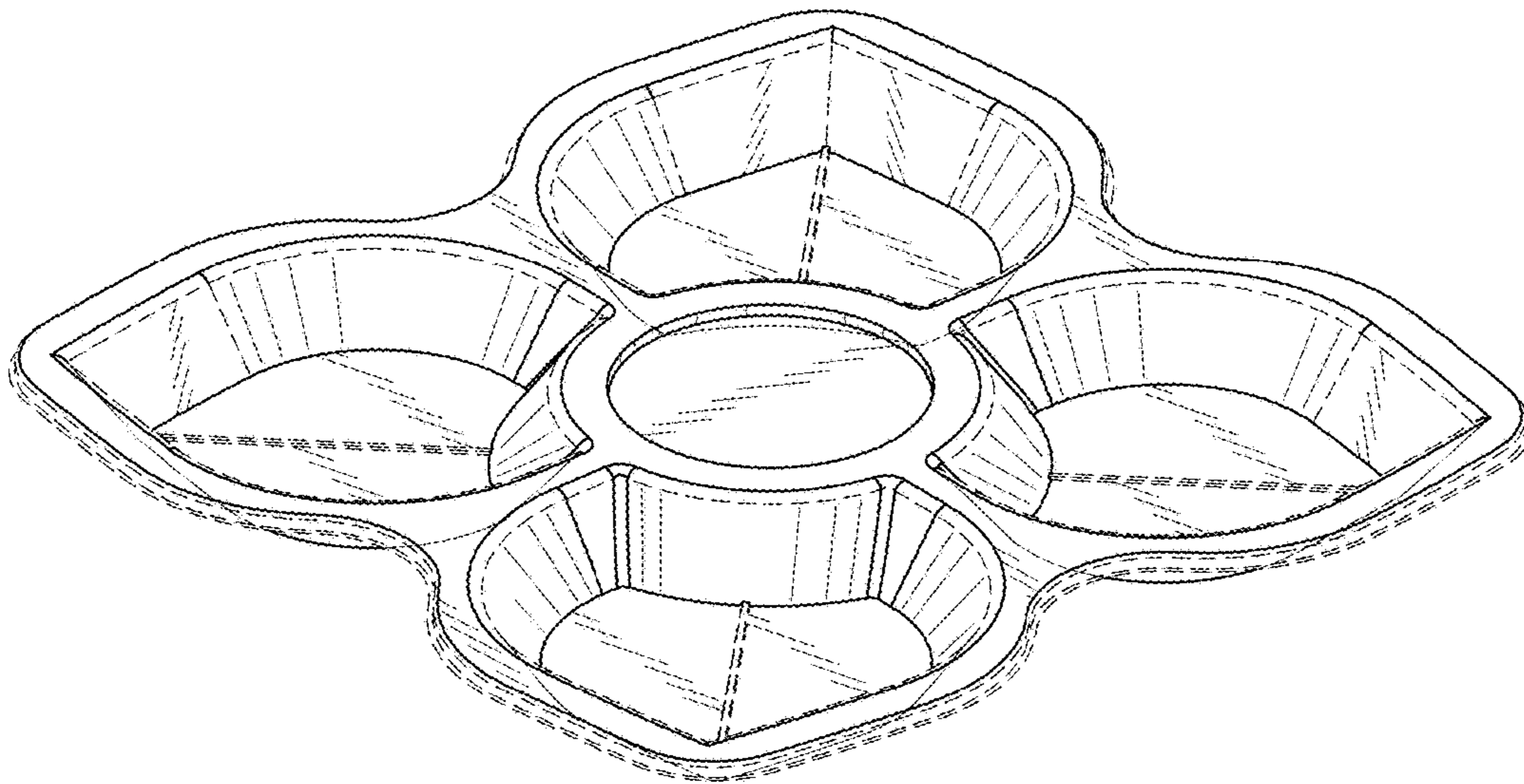


Fig. 1

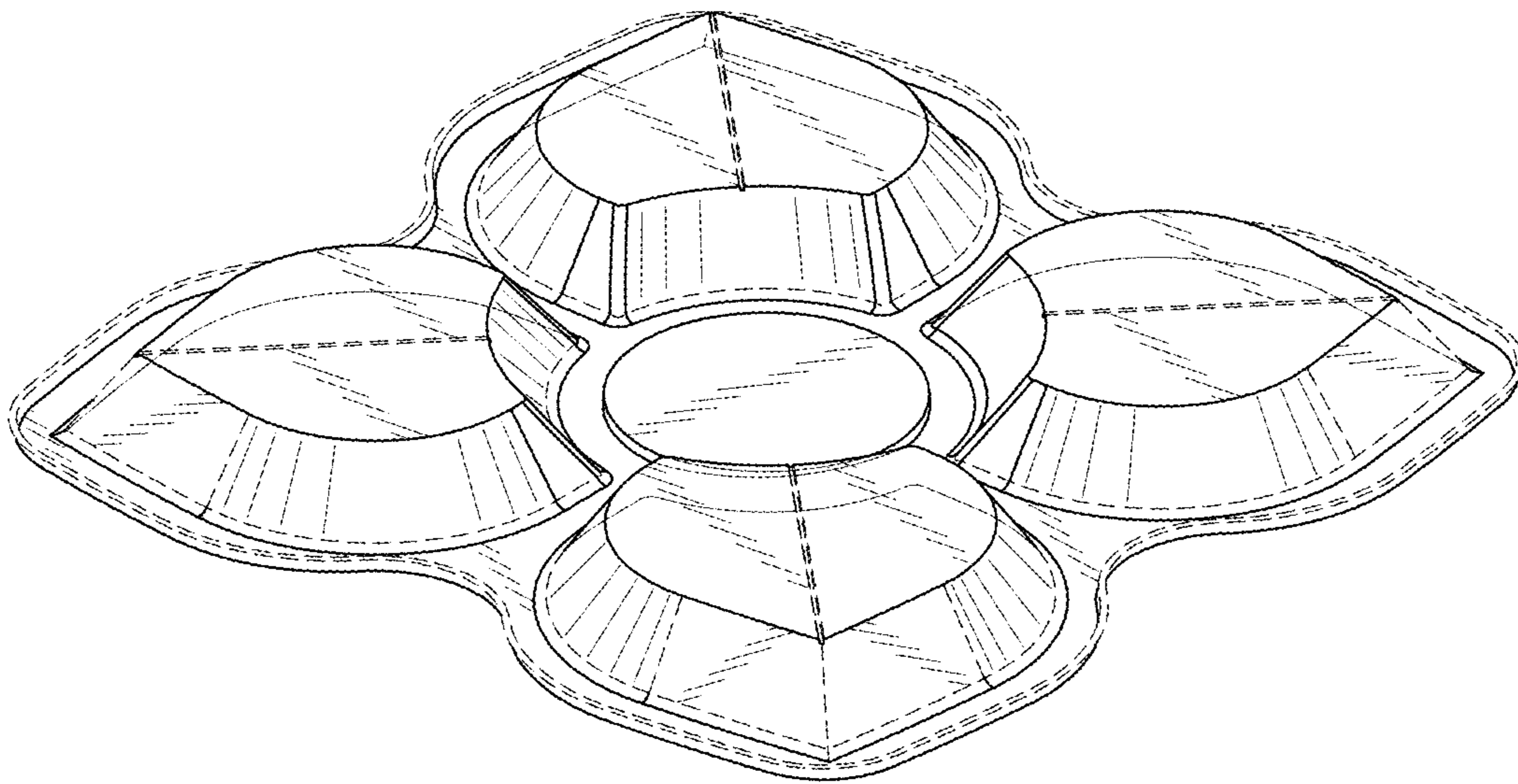


Fig.2

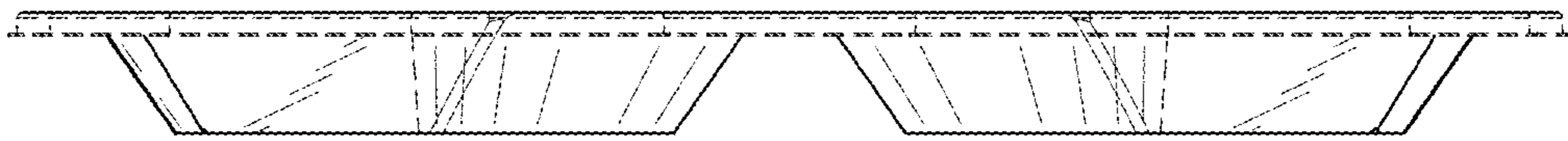


Fig.3



Fig.4



Fig.5

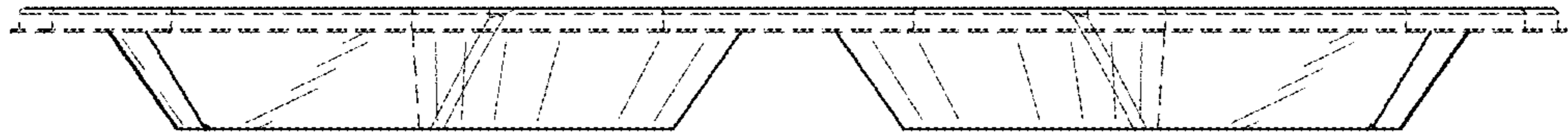


Fig.6

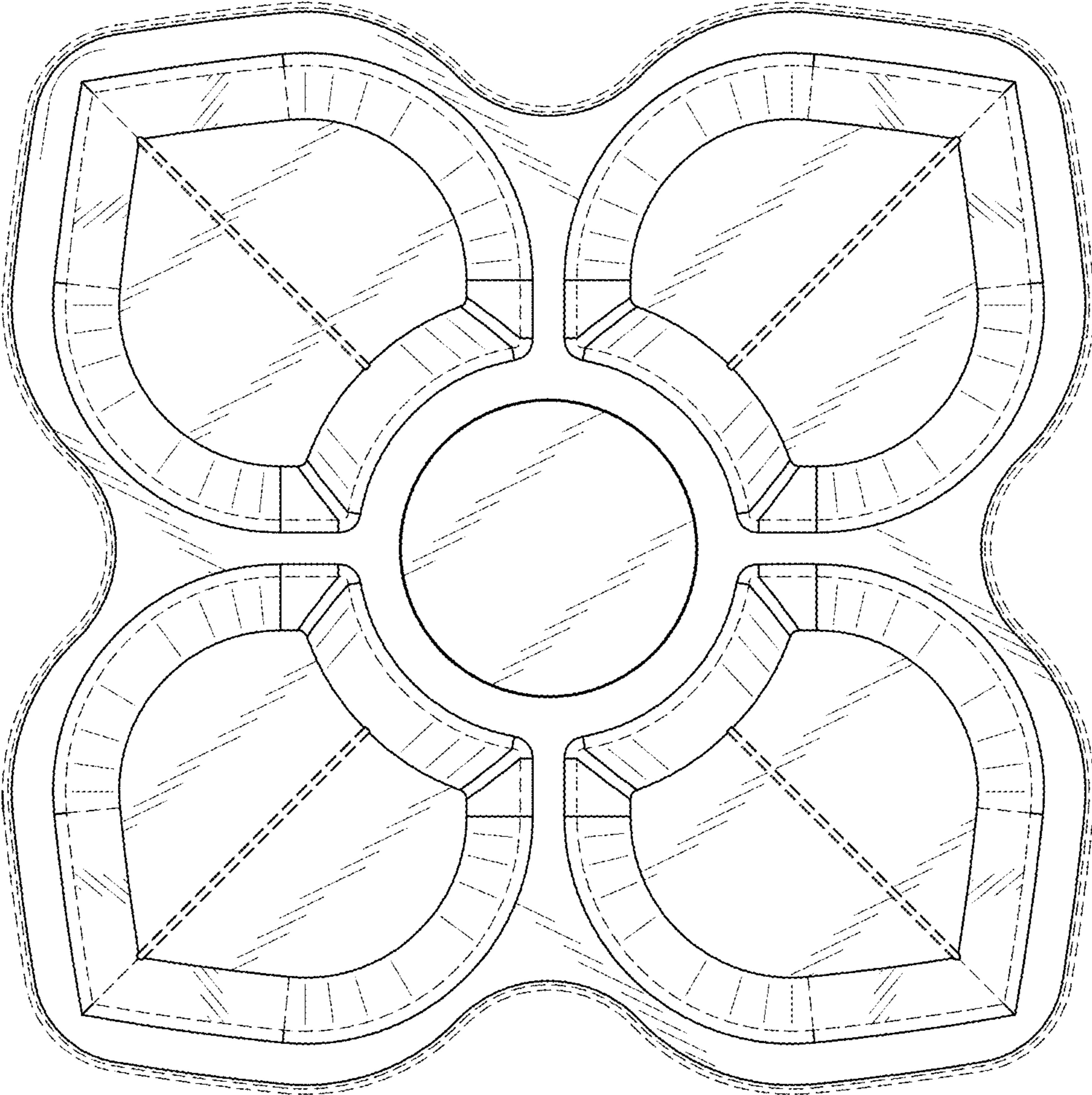


Fig.7

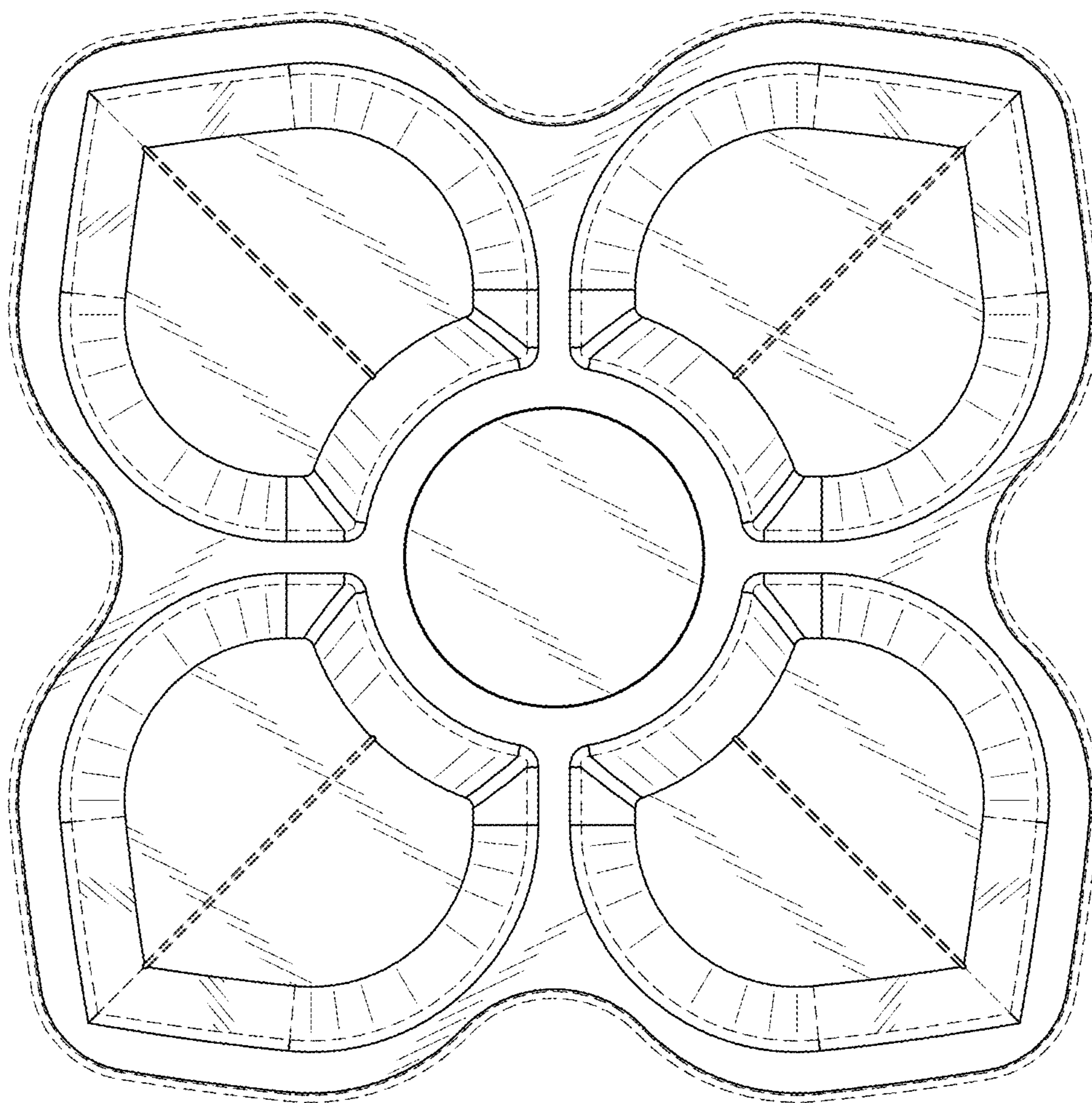


Fig.8