



US00D772075S

(12) **United States Design Patent** (10) **Patent No.:** **US D772,075 S**  
**Bell** (45) **Date of Patent:** **\*\* Nov. 22, 2016**

(54) **GUSSET POUCH**  
(71) Applicant: **Gary Michael Bell**, Crystal, MN (US)  
(72) Inventor: **Gary Michael Bell**, Crystal, MN (US)  
(\*\*) Term: **15 Years**  
(21) Appl. No.: **29/542,279**  
(22) Filed: **Oct. 13, 2015**  
(51) **LOC (10) Cl.** ..... **09-05**  
(52) **U.S. Cl.**  
USPC ..... **D9/708**  
(58) **Field of Classification Search**  
USPC ..... D9/702-714, 720-722, 414, 434-435,  
D9/696, 716, 771, 447, 516-517, 738-747,  
D9/544, 520-521; D24/118, 207, 108;  
383/6, 9, 22, 96, 61.1, 80-81, 104,  
383/901, 63, 203, 107, 119-120, 123, 61.2,  
383/44; 220/675, 495.03; 215/381-385,  
215/400, 328, 316; 206/484; D3/202;  
428/34.3; 222/92, 215, 95, 107;  
604/408, 403, 415  
CPC ..... B65D 41/00; B65D 41/02; B65D 41/04;  
B65D 41/12; B65D 41/26; B65D 41/34;  
B65D 1/00; B65D 1/02; B65D 1/023; B65D  
1/32; B65D 11/00; B65D 11/04; B65D  
11/20; A61J 1/10; A61J 1/2089; A61J 1/201;  
A61J 1/2096  
See application file for complete search history.

D307,385 S 4/1990 Kimura  
4,974,732 A 12/1990 Sullivan et al.  
D318,795 S 8/1991 Christine  
D392,559 S 3/1998 Smith et al.  
D409,481 S 5/1999 Smith et al.  
D412,665 S 8/1999 Smith et al.  
6,076,968 A 6/2000 Smith et al.  
D430,794 S 9/2000 Parent-Inch  
D434,976 S 12/2000 Berman  
D435,440 S 12/2000 Croft et al.  
D436,847 S 1/2001 Berman  
6,244,747 B1 6/2001 Caudle  
6,293,073 B1 9/2001 Caudle  
D448,988 S 10/2001 Bell et al.  
D451,793 S 12/2001 Berman  
D451,804 S 12/2001 Bell  
D463,266 S 9/2002 Zappa  
D473,132 S 4/2003 Berman  
D484,972 S 1/2004 Steele, IV et al.  
D489,603 S 5/2004 Berman  
D505,081 S 5/2005 Risgalla  
6,912,825 B2 7/2005 Kothari  
D508,413 S 8/2005 Ueda  
D509,751 S 9/2005 Risgalla

(Continued)

*Primary Examiner* — Abraham Bahta  
(74) *Attorney, Agent, or Firm* — Barnes & Thornburg  
LLP; Jeffrey R. Stone

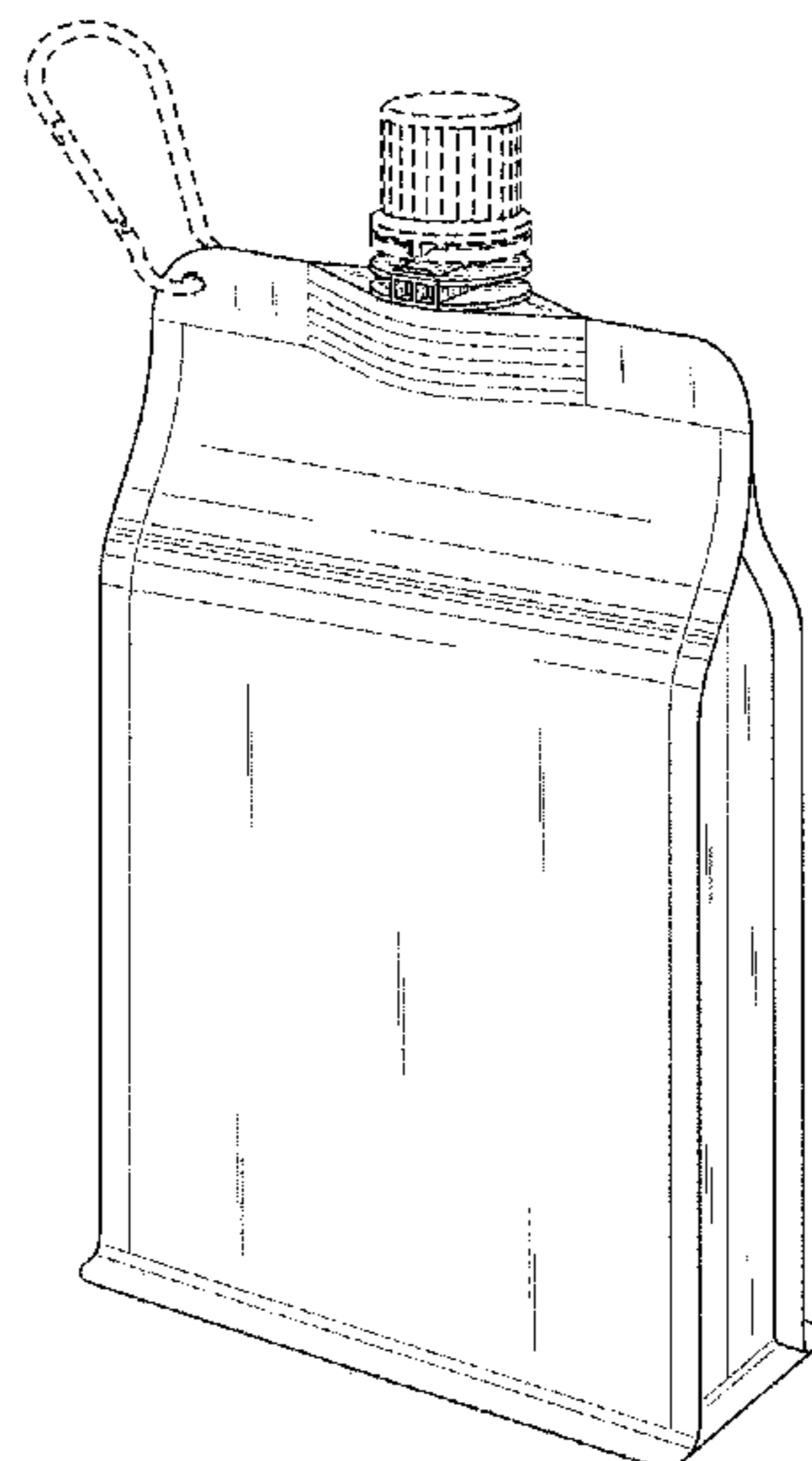
(57) **CLAIM**  
The ornamental design for a gusset pouch, as shown and  
described.

**DESCRIPTION**

FIG. 1 is a perspective view of the gusset pouch showing the  
design;  
FIG. 2 is a front view thereof;  
FIG. 3 is a side view thereof;  
FIG. 4 is a top view thereof; and,  
FIG. 5 is a bottom view thereof.  
The portions of the disclosure shown in broken lines form no  
part of the claimed design.

**1 Claim, 4 Drawing Sheets**

(56) **References Cited**  
U.S. PATENT DOCUMENTS  
2,734,584 A 2/1956 Spooner  
3,171,581 A 3/1965 Kugler  
3,453,661 A 7/1969 Repko  
D285,412 S 9/1986 Harwell, Jr.  
4,717,046 A 1/1988 Brogli  
4,837,849 A 6/1989 Erickson et al.  
4,898,477 A 2/1990 Cox et al.



(56)

References Cited

U.S. PATENT DOCUMENTS

7,018,099 B2	3/2006	Caudle	D628,902 S	12/2010	Schroeder et al.
D523,758 S	6/2006	Risgalla	D628,903 S	12/2010	Caldwell et al.
D526,573 S *	8/2006	Ueda ..... D9/702	D632,560 S	2/2011	Caldwell et al.
D527,278 S *	8/2006	Ueda ..... D9/702	D642,933 S	8/2011	Schroeder et al.
D528,011 S	9/2006	Ueda	D651,522 S	1/2012	Kristoff
D548,613 S	8/2007	Miller et al.	D656,038 S	3/2012	Molayem
D553,007 S	10/2007	Goodwin et al.	D658,075 S	4/2012	Umenaka
D555,011 S	11/2007	Spanjaard	D660,720 S	5/2012	Umenaka
D560,122 S	1/2008	Fuchs et al.	8,181,823 B2	5/2012	Fukuizumi et al.
D571,672 S	6/2008	Murray	D667,313 S	9/2012	Hensen
D584,168 S	1/2009	Murray	D674,707 S	1/2013	Berman
D588,001 S	3/2009	Sato	D676,763 S	2/2013	Kenmotsu et al.
D598,299 S	8/2009	Isogai et al.	8,403,161 B2	3/2013	Van Puijenbroek
7,581,371 B2	9/2009	Owensby et al.	D686,088 S	7/2013	Murray
D604,636 S	11/2009	McMorris	D686,089 S	7/2013	Murray
D609,112 S	2/2010	Koyanagi	D690,501 S	10/2013	Yetts
7,703,619 B2	4/2010	Van Puijenbroek	D695,133 S	12/2013	Teman
D619,906 S	7/2010	Carignan et al.	2003/0211224 A1	11/2003	Eichelberger et al.
7,803,417 B2	9/2010	Whited et al.	2007/0084887 A1	4/2007	Schelbach
D628,087 S	11/2010	Schroeder et al.	2009/0028470 A1	1/2009	Murray
			2011/0064338 A1	3/2011	Surdziel
			2013/0008134 A1	1/2013	Kim et al.
			2013/0139473 A1	6/2013	Beer

\* cited by examiner

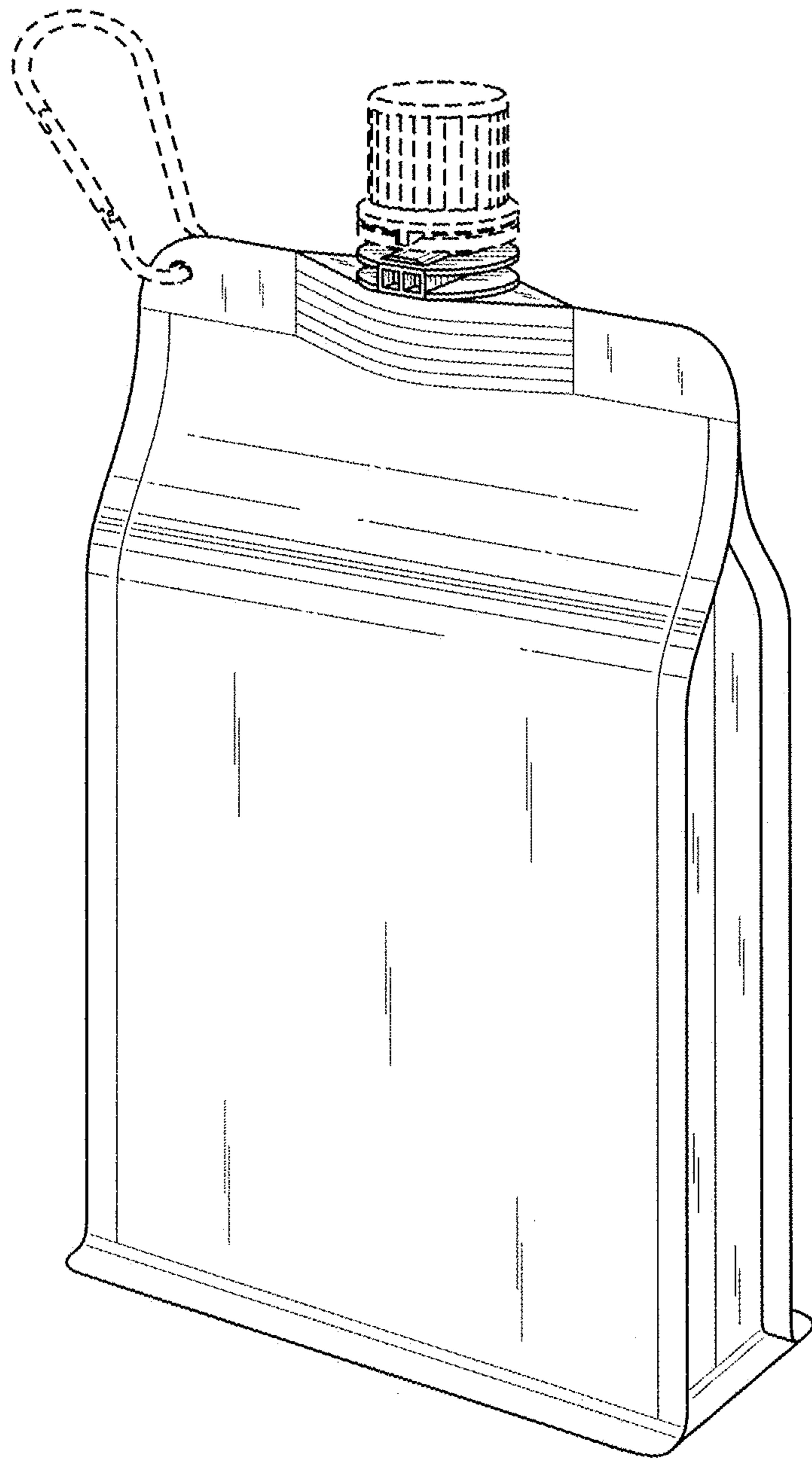


Fig. 1

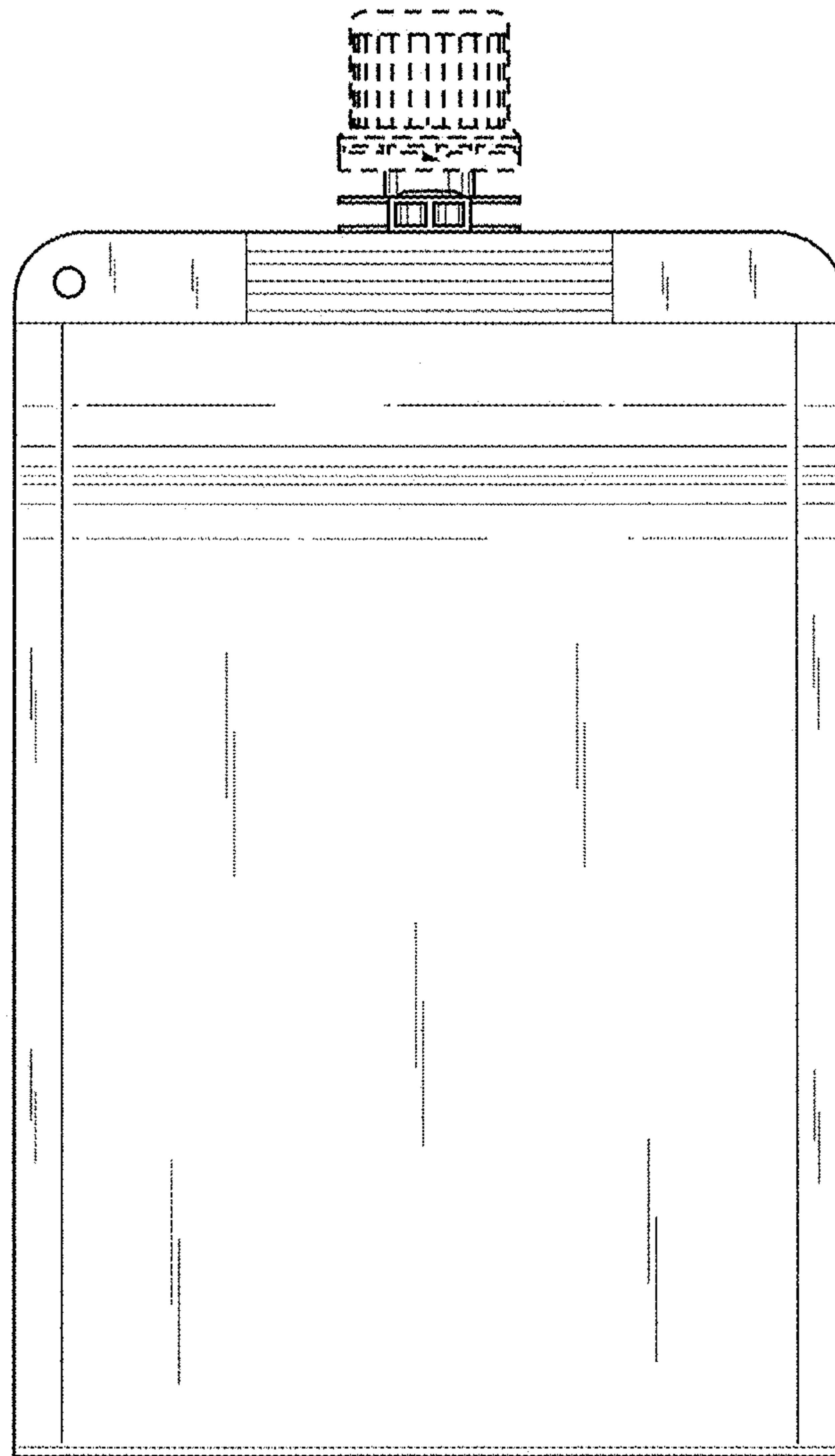


Fig. 2

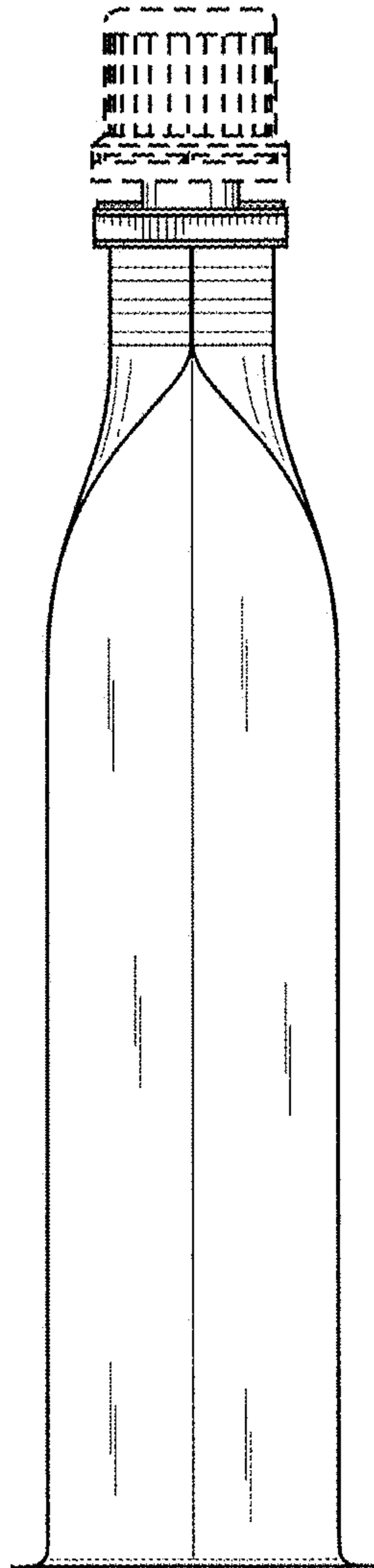
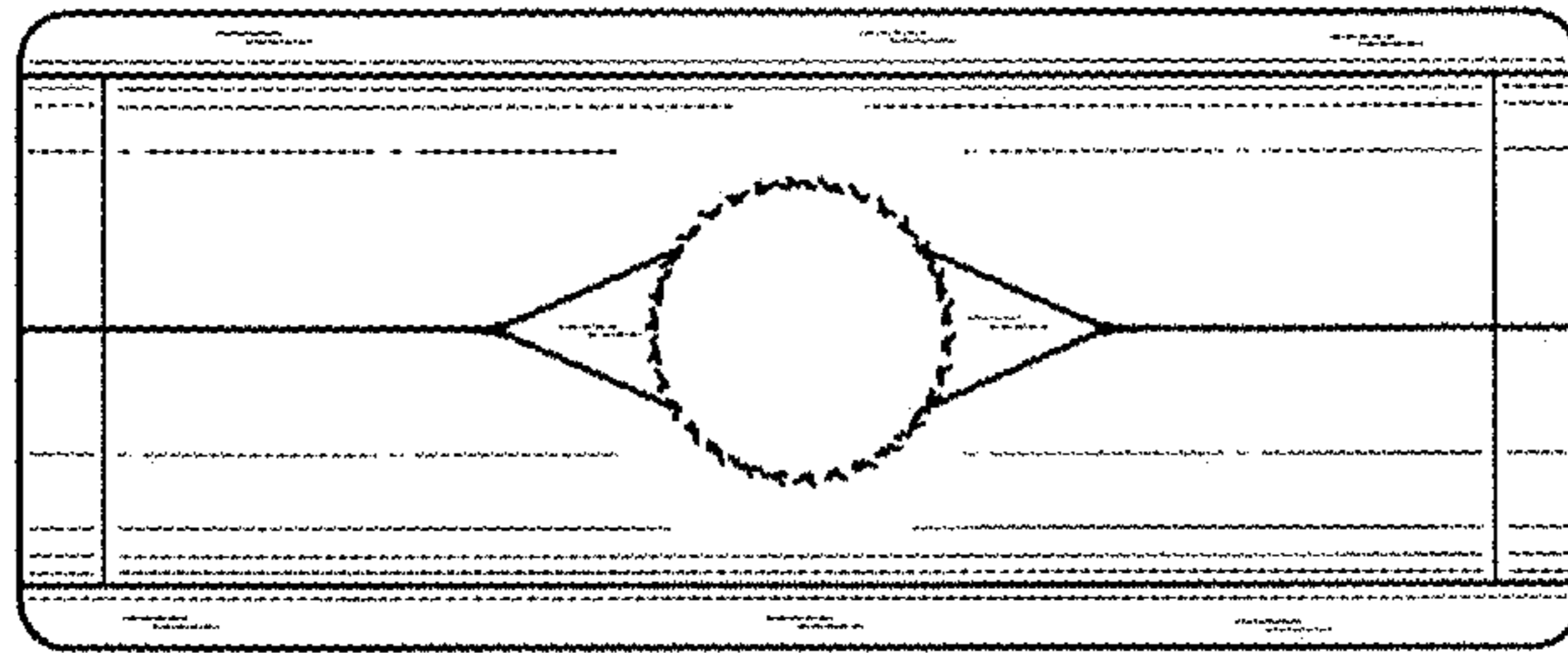


Fig. 3



**Fig. 4**



**Fig. 5**