



US00D772074S

(12) **United States Design Patent**
Gray

(10) **Patent No.:** **US D772,074 S**

(45) **Date of Patent:** **** Nov. 22, 2016**

(54) **CONDOM PACKAGE**

(71) Applicant: **William R. Gray**, Raleigh, NC (US)

(72) Inventor: **William R. Gray**, Raleigh, NC (US)

(**) Term: **15 Years**

(21) Appl. No.: **29/536,455**

(22) Filed: **Aug. 17, 2015**

(51) **LOC (10) Cl.** **09-05**

(52) **U.S. Cl.**
USPC **D9/702**

(58) **Field of Classification Search**

USPC D9/702-714, 414-415, 430-433, 424,
D9/720-722, 732; 206/229, 457, 527,
206/525.1, 69, 216, 530, 770; 229/87.01,
229/87.05, 87.06; D3/201; D24/121;
383/47, 51, 53, 66, 108, 113, 120;
128/842, 844

CPC B65D 85/14; B65D 65/02; B65D 65/04;
B65D 65/10; B65D 65/14; B65D 65/38;
B65D 2543/00796; B65D 2543/0037; B65D
51/24; B65D 75/008; B65D 75/5855; B65D
1/09; B65D 1/095; A61F 6/002; A61F 6/04;
A61F 6/06

See application file for complete search history.

(56) **References Cited**

U.S. PATENT DOCUMENTS

D362,972 S * 10/1995 Wunsch D9/737
D368,026 S * 3/1996 Fields 206/459.5

D447,942 S * 9/2001 Hunter D14/479
D453,681 S * 2/2002 Kursner D9/432
D483,559 S 12/2003 Eldon, III et al.
D522,374 S * 6/2006 Nova D24/187
D538,157 S 3/2007 Boyner
D614,042 S * 4/2010 Mazzotta D9/415
D720,213 S * 12/2014 Lee D9/629
D722,275 S 2/2015 Lee
D726,547 S * 4/2015 Lee D9/629

* cited by examiner

Primary Examiner — Abraham Bahta

(74) *Attorney, Agent, or Firm* — Brian B. Shaw, Esq.;
Harter Secrest & Emery LLP

(57) **CLAIM**

The ornamental design for a condom package, as shown and described.

DESCRIPTION

FIG. 1 is a perspective view of a condom package showing the new design.

FIG. 2 is a top plan view thereof.

FIG. 3 is a left side elevational view thereof.

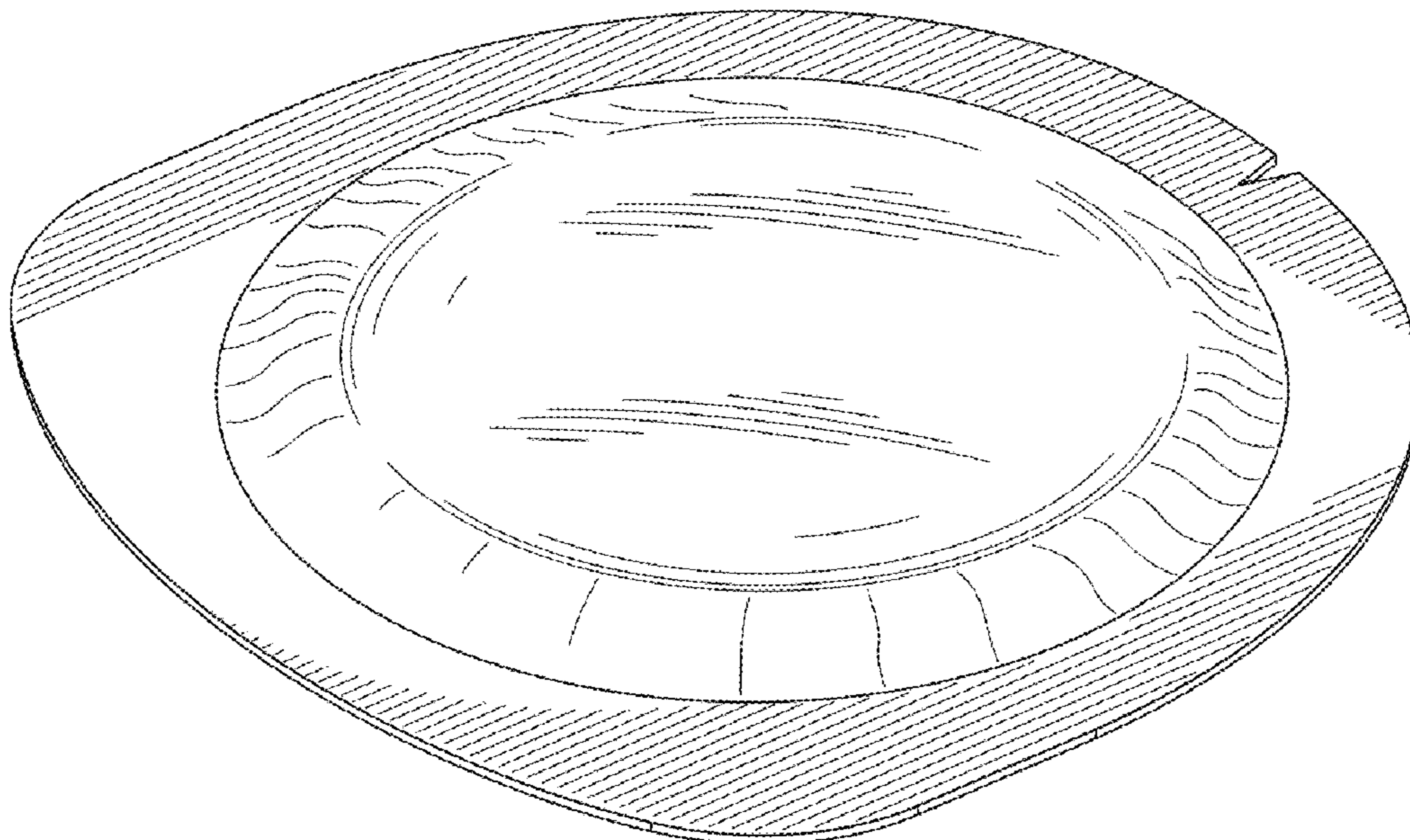
FIG. 4 is a bottom plan view thereof.

FIG. 5 is a right side elevational view thereof.

FIG. 6 is a top side elevational view thereof; and,

FIG. 7 is a bottom side elevational thereof.

1 Claim, 4 Drawing Sheets



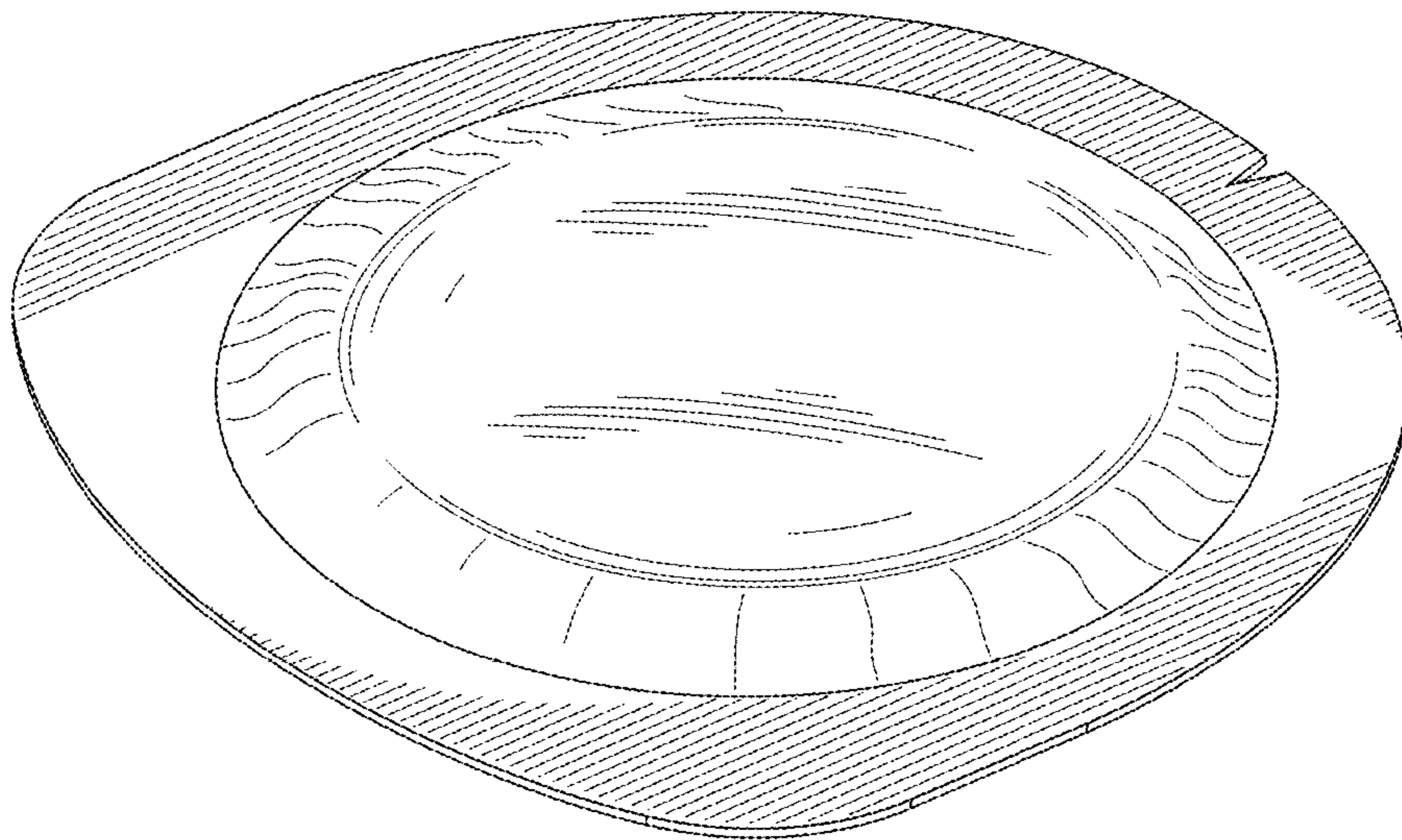


FIG. 1

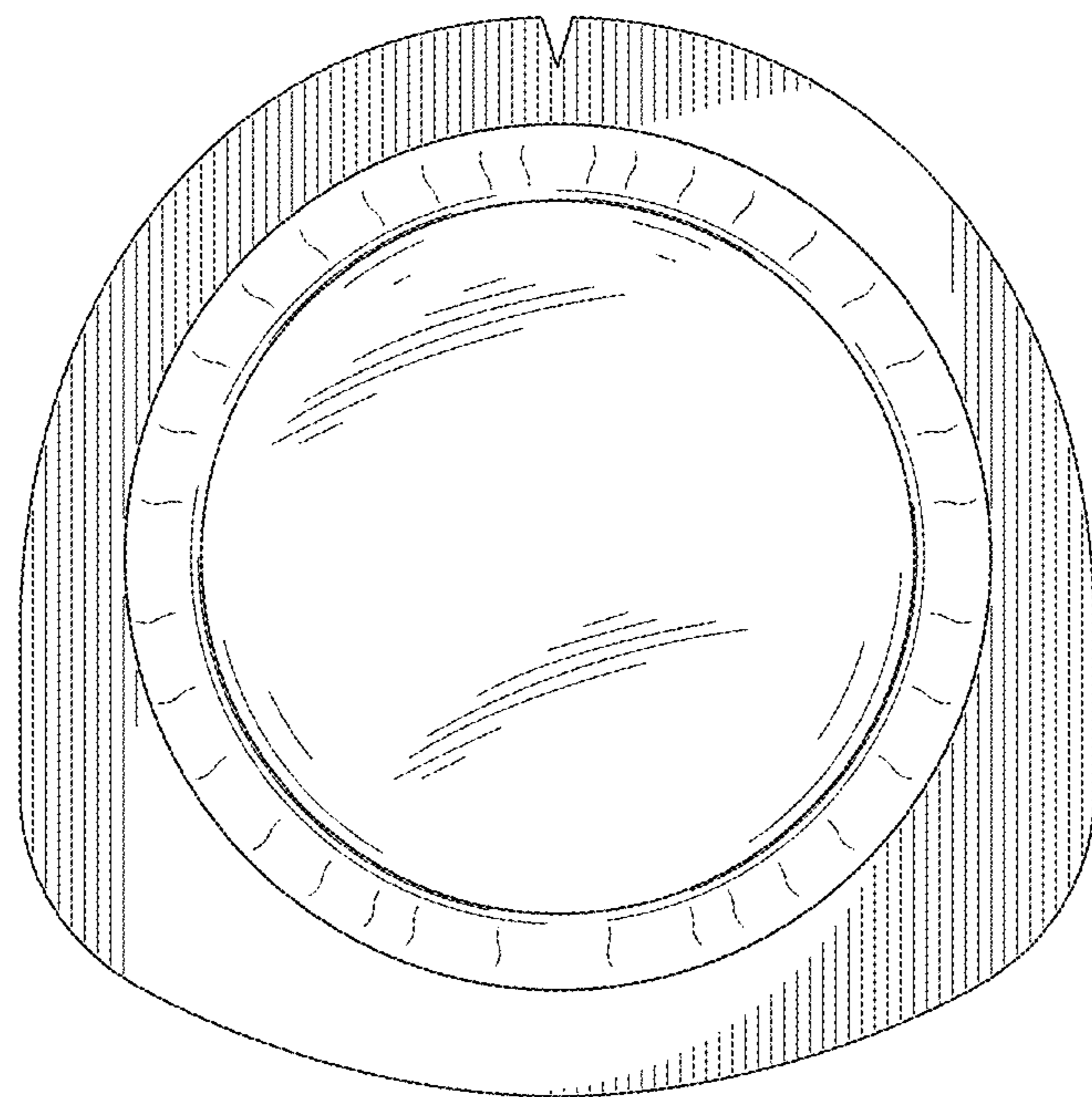


FIG. 2

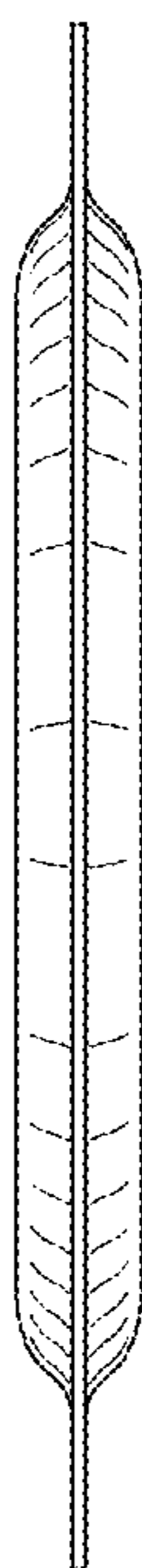


FIG. 3

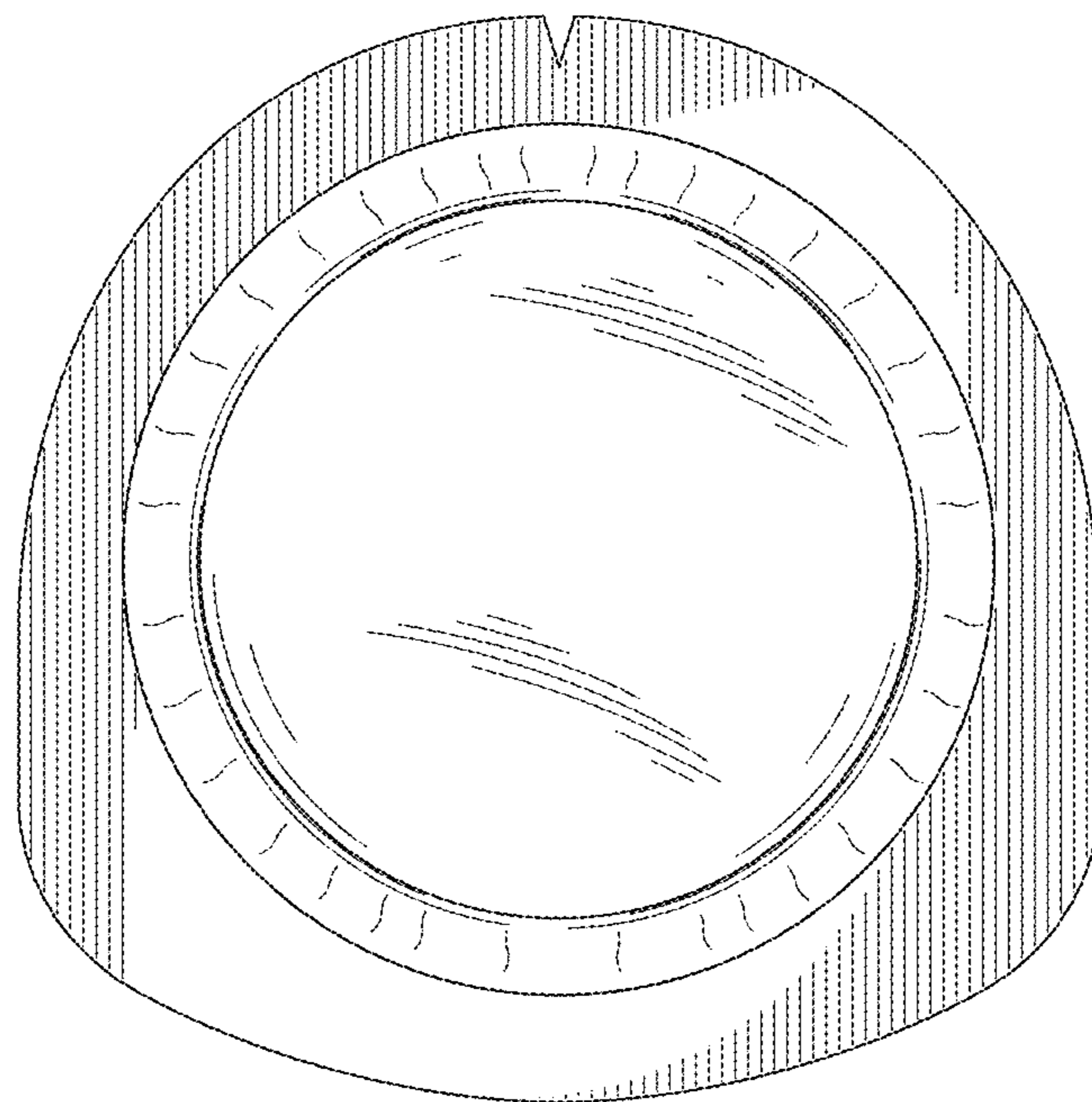


FIG. 4

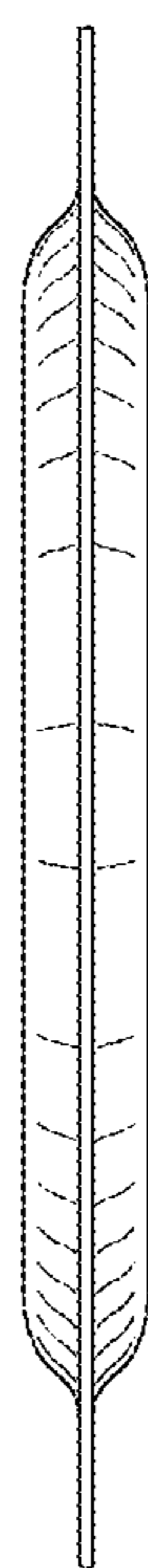


FIG. 5

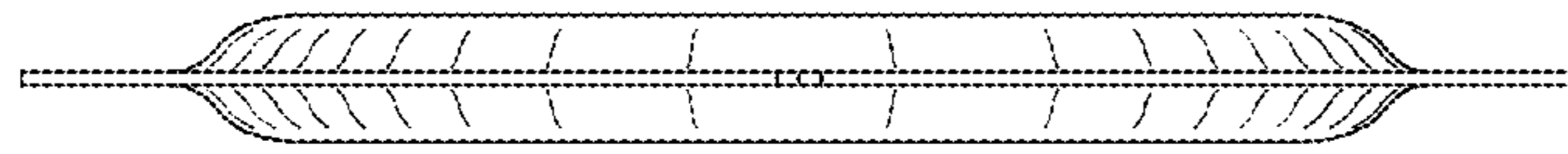


FIG. 6



FIG. 7