



US00D772068S

(12) **United States Design Patent**
Zheng et al.

(10) **Patent No.:** **US D772,068 S**

(45) **Date of Patent:** **** Nov. 22, 2016**

(54) **PACKAGING**

(71) Applicant: **SZ DJI Technology Co., Ltd.**,
Shenzhen (CN)

(72) Inventors: **Hai-Bin Zheng**, Shenzhen (CN); **Min Kim**, Shenzhen (CN)

(73) Assignee: **SZ DJI TECHNOLOGY CO., LTD.**,
Shenzhen (CN)

(**) Term: **14 Years**

(21) Appl. No.: **29/525,476**

(22) Filed: **Apr. 30, 2015**

(51) **LOC (10) Cl.** **09-03**

(52) **U.S. Cl.**
USPC **D9/456; D9/414; D9/432; D9/435;**
D9/430

(58) **Field of Classification Search**

USPC D3/272, 273, 302, 310, 313, 315, 319,
D3/901; D6/512, 515–525; D7/552.1,
D7/553.1, 553.2, 554.1, 602; D9/414, 418,
D9/420–424, 427, 430–435, 455, 456, 517,
D9/737, 738, 739, 740, 741, 744, 745;
D14/248, 251, 253; D19/1, 27;
D24/227; D34/1, 7, 10, 11; 206/145,
206/151, 159, 160, 161, 164, 199, 200, 206,
206/216, 267, 269, 270, 273, 299, 427, 430,
206/503, 509, 737, 740, 821, 822;
220/23.83, 353, 908, 909, 910;
229/100, 101, 101.3, 106, 108–112;
232/43.2; 294/87.2, 87.28, 159
CPC B65D 1/243; B65D 2501/24019;
B65D 2501/24165; B65D 2501/24152;
B65D 11/18; B65D 85/30; B65D 85/32
See application file for complete search history.

(56) **References Cited**

U.S. PATENT DOCUMENTS

D269,249 S * 6/1983 Cillario D9/424
D319,978 S * 9/1991 Wolff D7/586

D358,768 S * 5/1995 Berggren D9/435
D555,475 S * 11/2007 Enriquez D9/432
D584,142 S * 1/2009 Andre D9/432
D596,030 S * 7/2009 Liipola D9/456
D631,337 S * 1/2011 Prevost D9/421
D631,354 S * 1/2011 Gelardi D9/455
D687,300 S * 8/2013 Jones D9/456

(Continued)

Primary Examiner — Thomas Johannes

Assistant Examiner — Catherine Posthauer

(74) *Attorney, Agent, or Firm* — Sterne, Kessler,
Goldstein & Fox P.L.L.C.

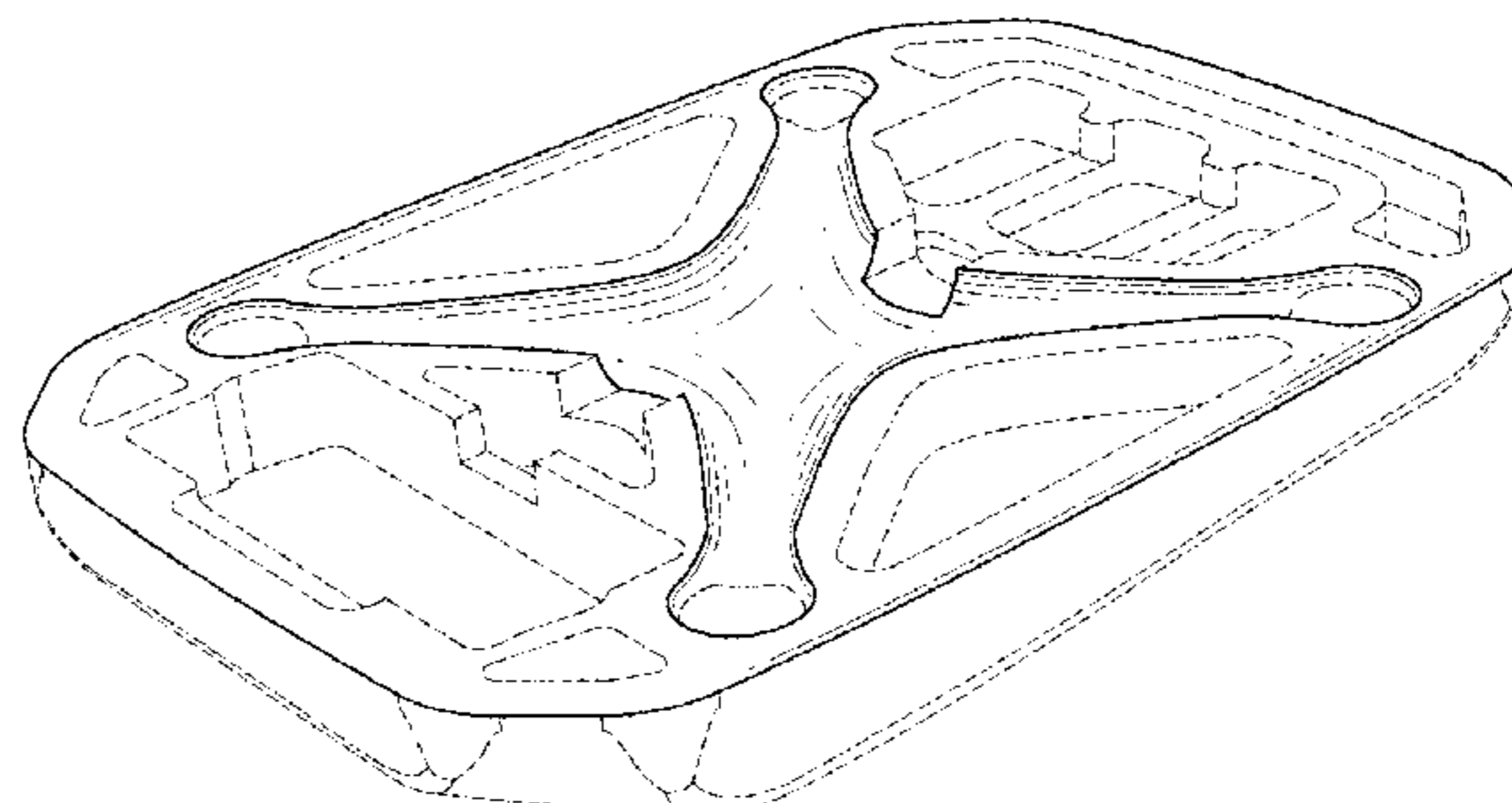
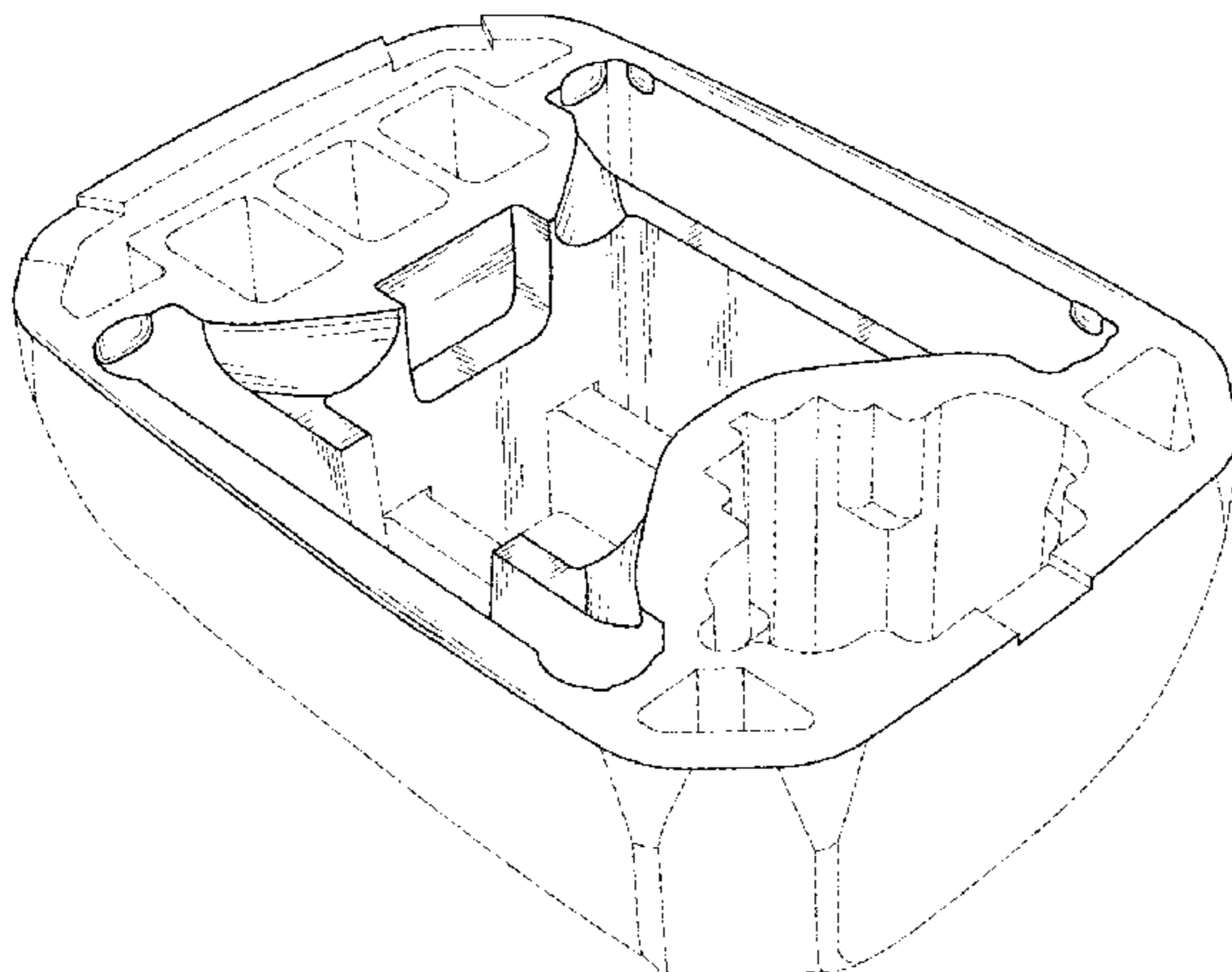
(57) **CLAIM**

The ornamental design for packaging, as shown and described.

DESCRIPTION

FIG. 1 is a perspective view of a first component of packaging showing the claimed design.
FIG. 2 is a front view thereof;
FIG. 3 is a rear view thereof;
FIG. 4 is a left-side view thereof;
FIG. 5 is a right-side view thereof;
FIG. 6 is a top view thereof;
FIG. 7 is a bottom view thereof;
FIG. 8 is a perspective view of a second component of packaging showing the claimed design.
FIG. 9 is a front view thereof;
FIG. 10 is a rear view thereof;
FIG. 11 is a left-side view thereof;
FIG. 12 is a right-side view thereof;
FIG. 13 is a top view thereof;
FIG. 14 is a bottom view thereof; and,
FIG. 15 is a perspective view of the first and second components of the packaging shown assembled.
The dashed broken lines in the figures show portions of the packaging that form no part of the claimed design.
The dot-dash broken lines in the figures show boundaries that form no part of the claimed design.

1 Claim, 15 Drawing Sheets



(56)

References Cited

U.S. PATENT DOCUMENTS

D699,035 S * 2/2014 Hazen D3/313
D702,944 S * 4/2014 Sanchez D3/319
8,800,850 B2 * 8/2014 MacLeod B65D 5/2033
229/109

D721,491 S * 1/2015 Wang D3/273
D723,920 S * 3/2015 Wakeham D9/456
9,233,754 B1 * 1/2016 Wang B64C 39/024
D748,498 S * 2/2016 Pipes D9/424
D749,417 S * 2/2016 Bate D9/456
2013/0186948 A1 * 7/2013 Hermosillo B65D 5/003
229/109

* cited by examiner

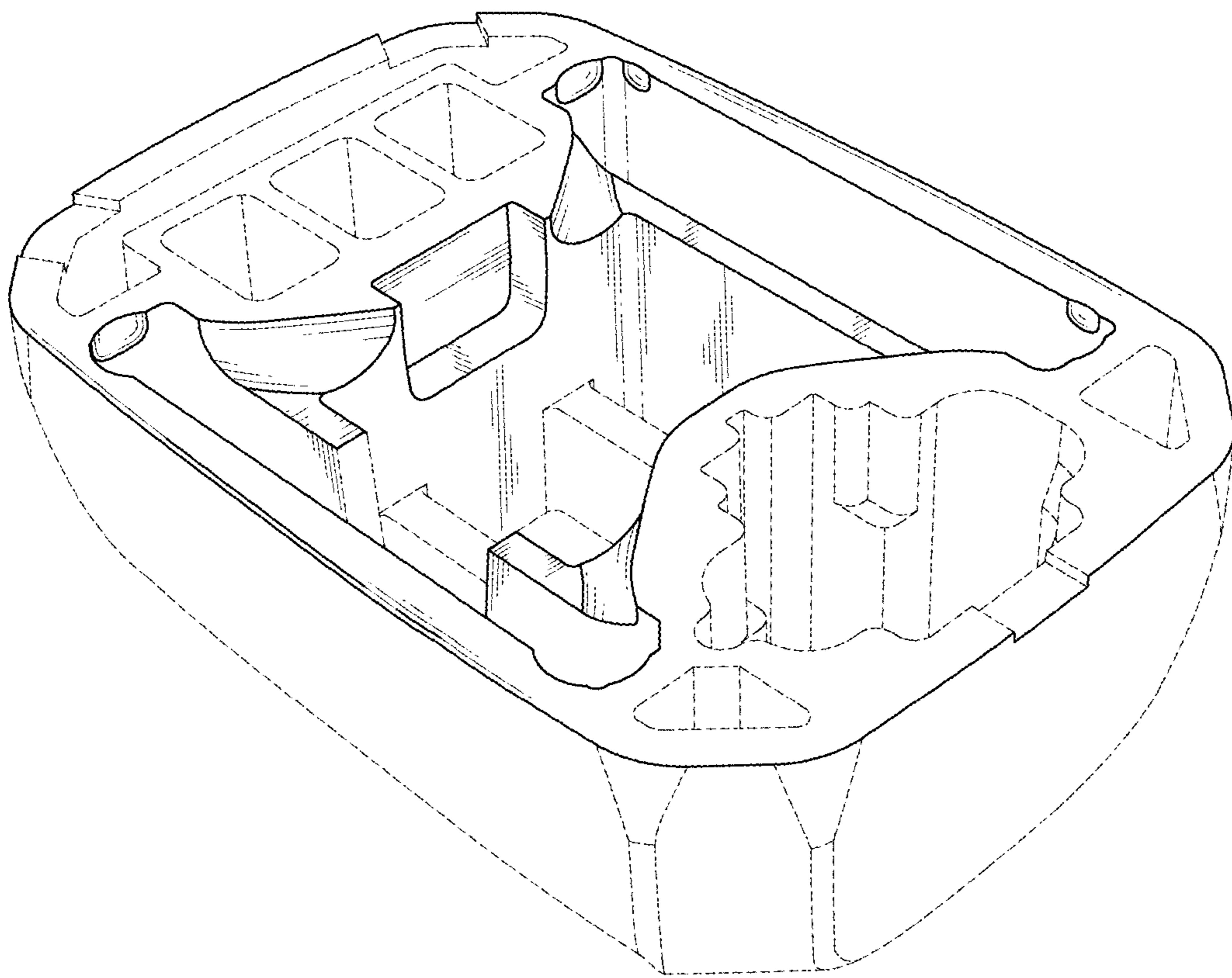


FIG. 1

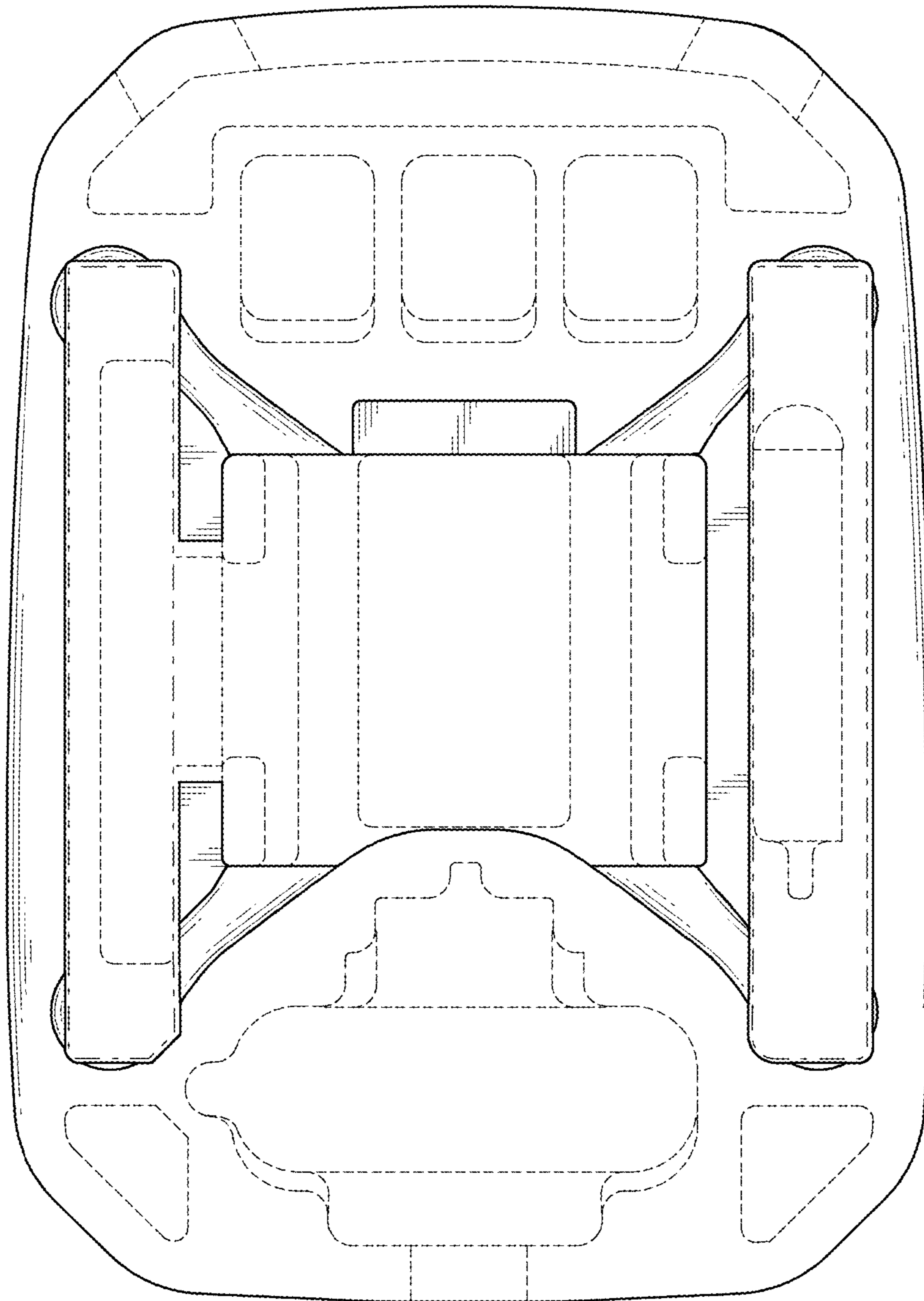


FIG. 2

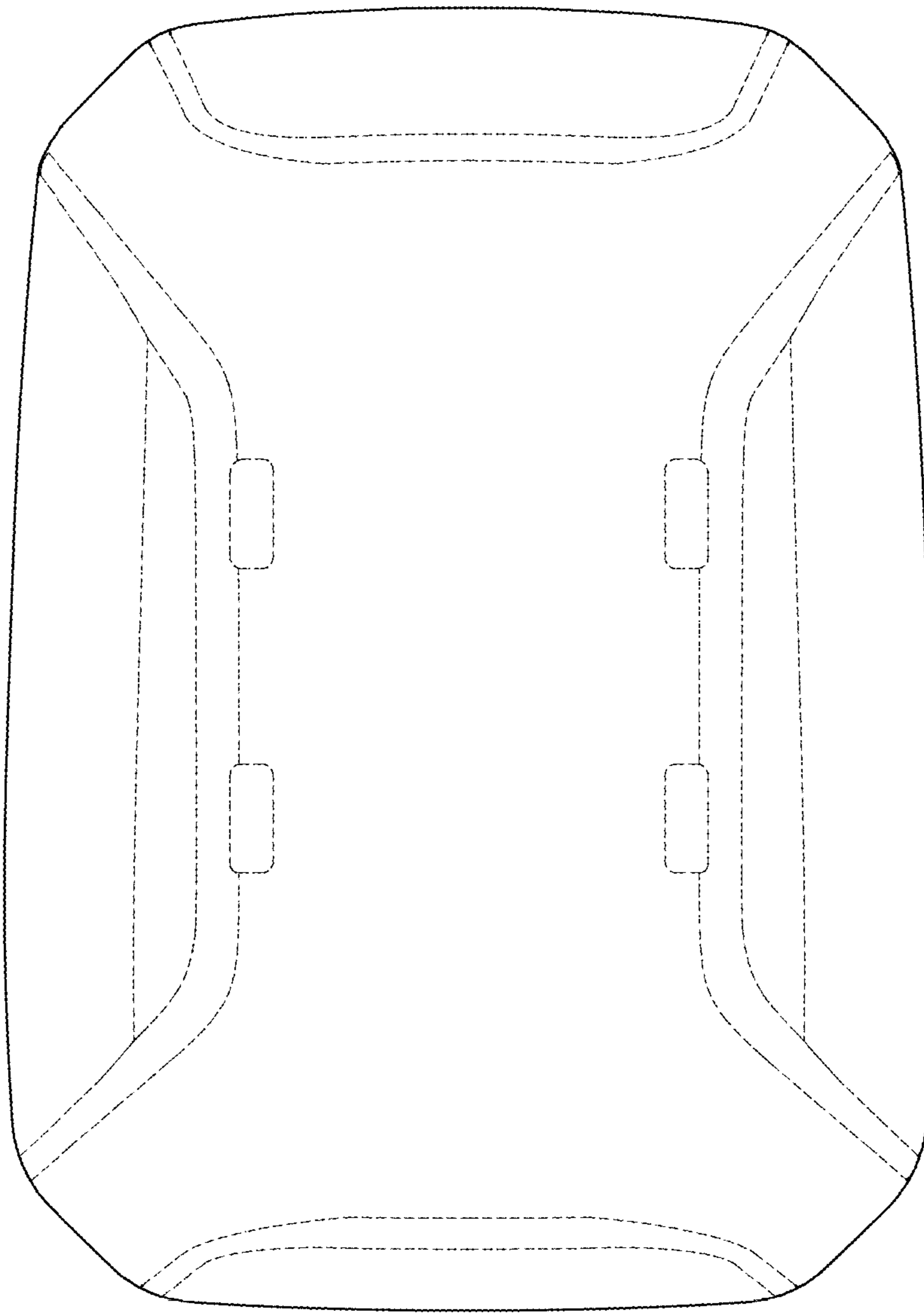


FIG. 3



FIG. 4

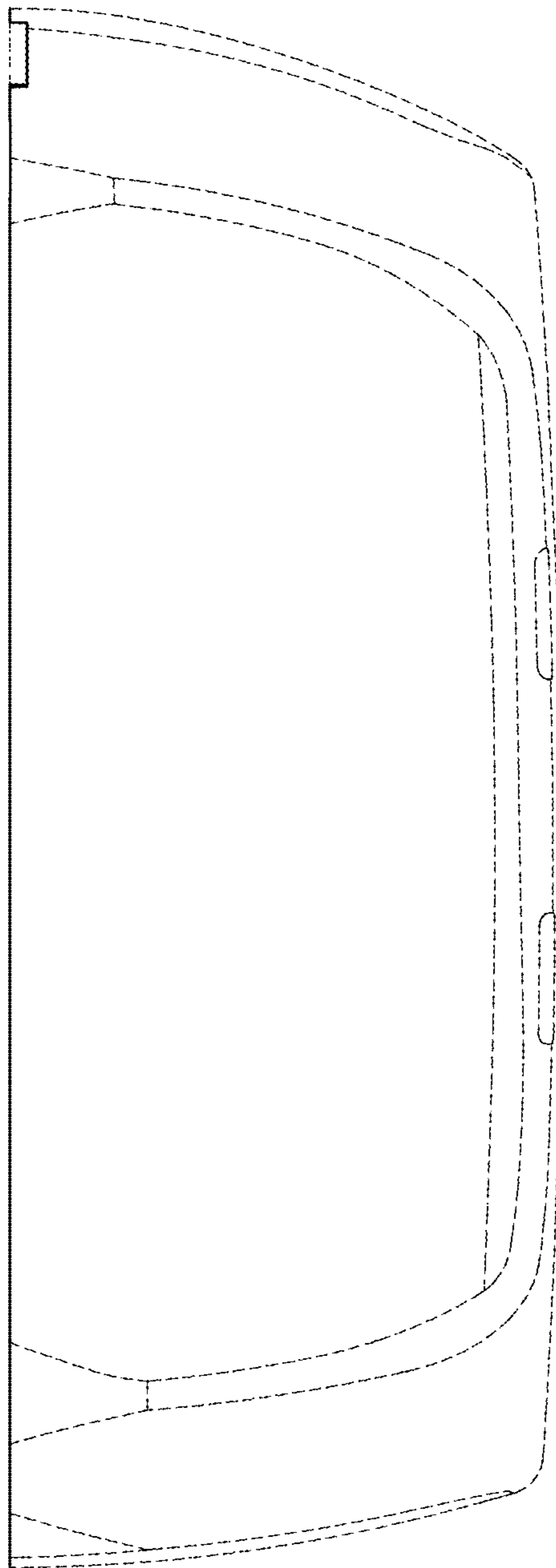


FIG. 5

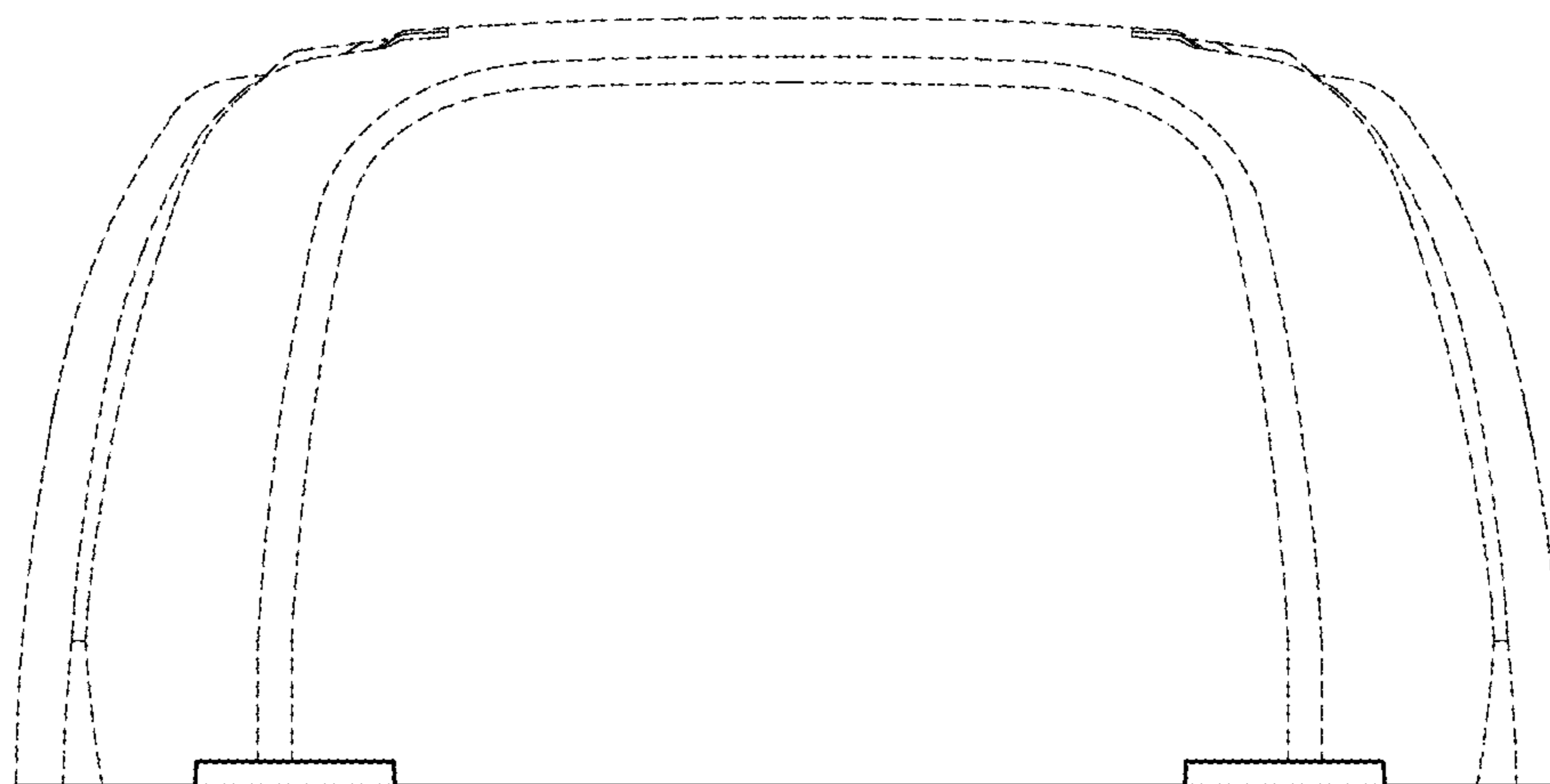


FIG. 6

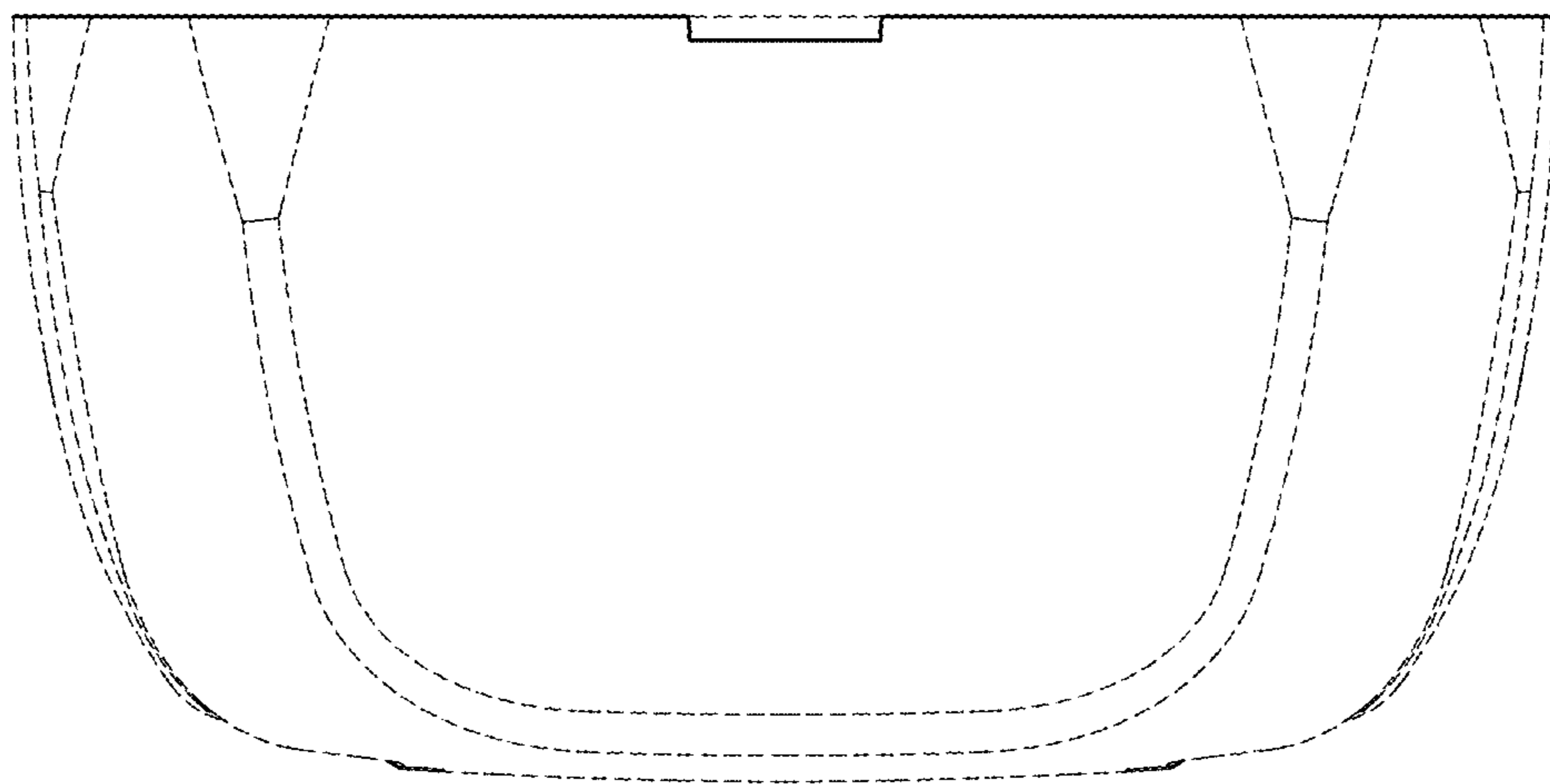


FIG. 7

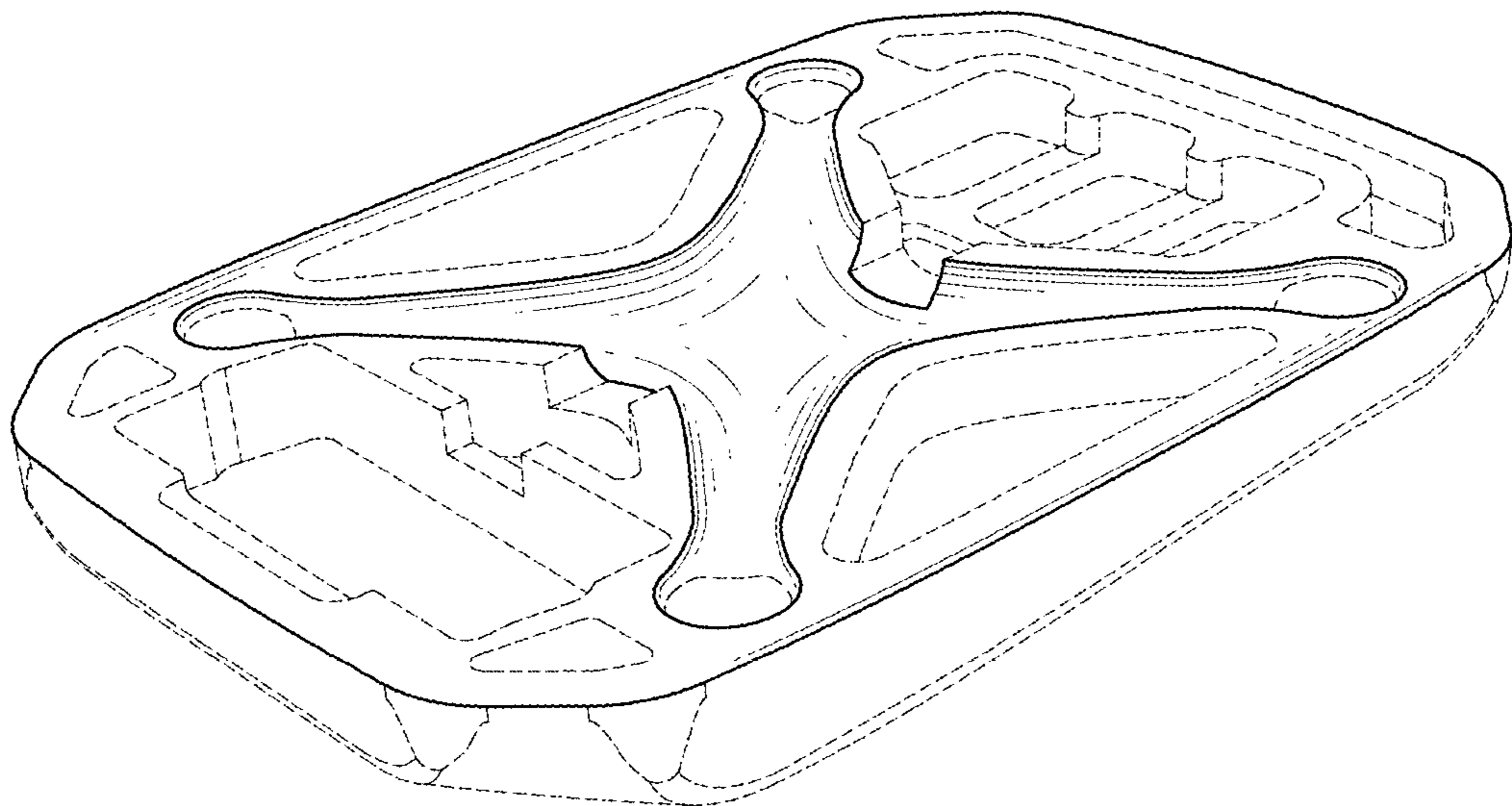


FIG. 8

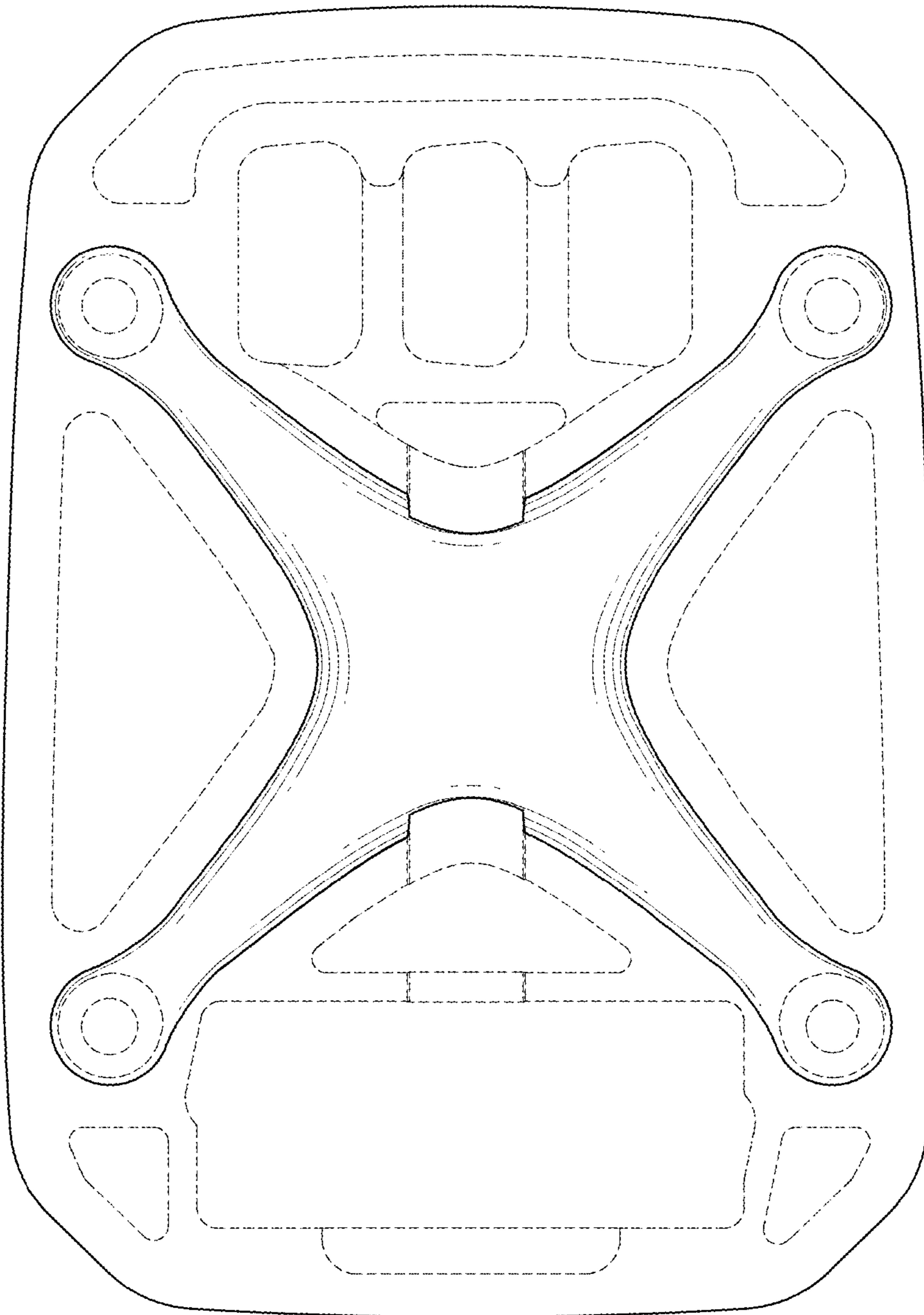


FIG. 9

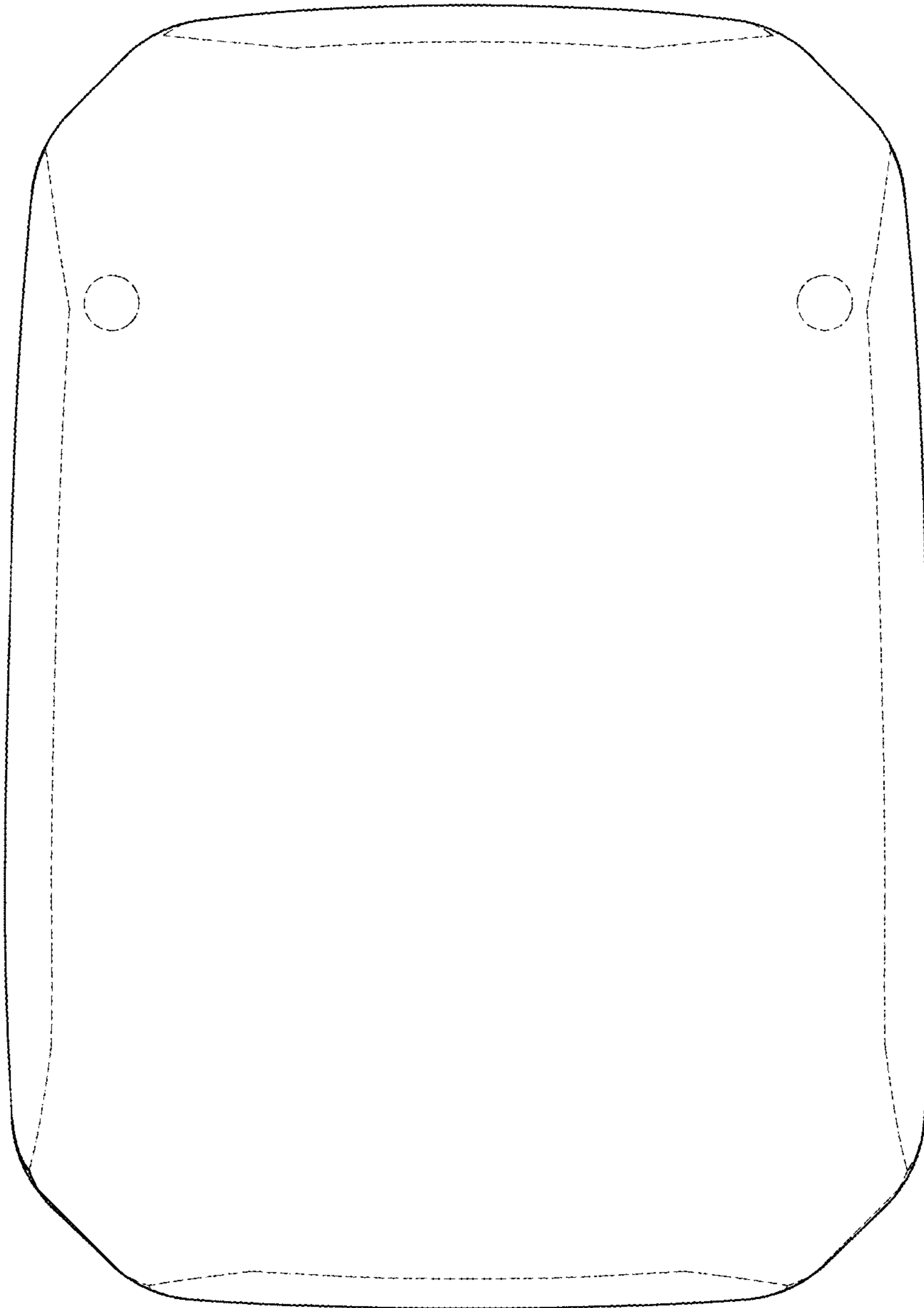


FIG. 10

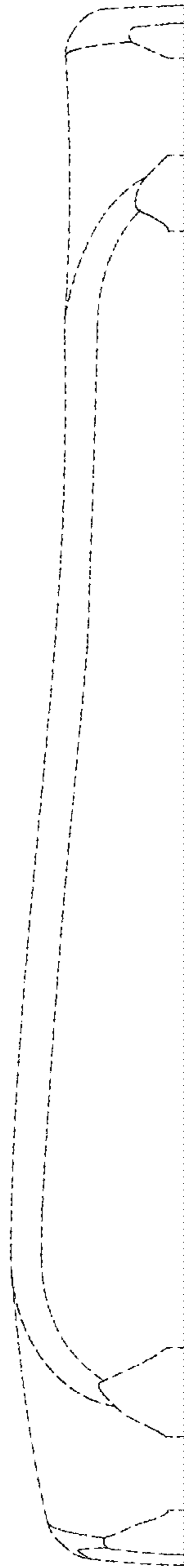


FIG. 11

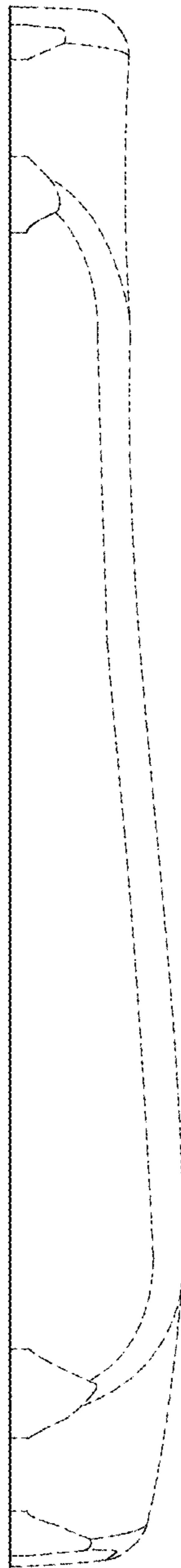


FIG. 12

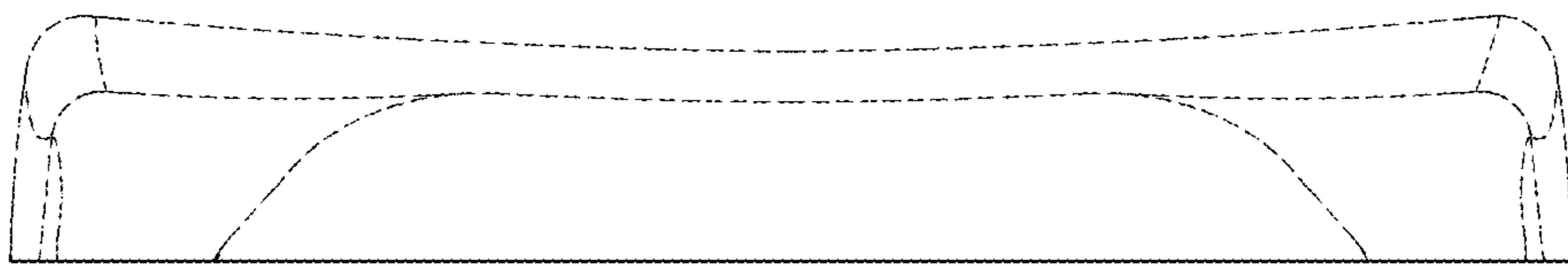


FIG. 13

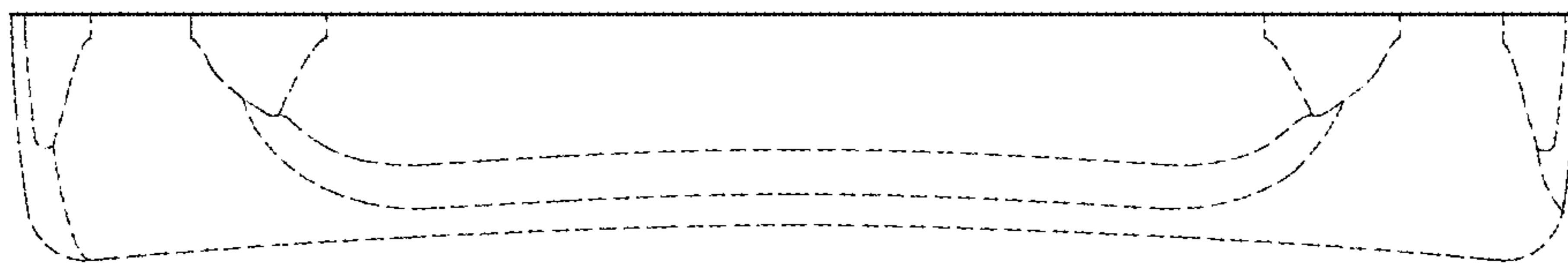


FIG. 14

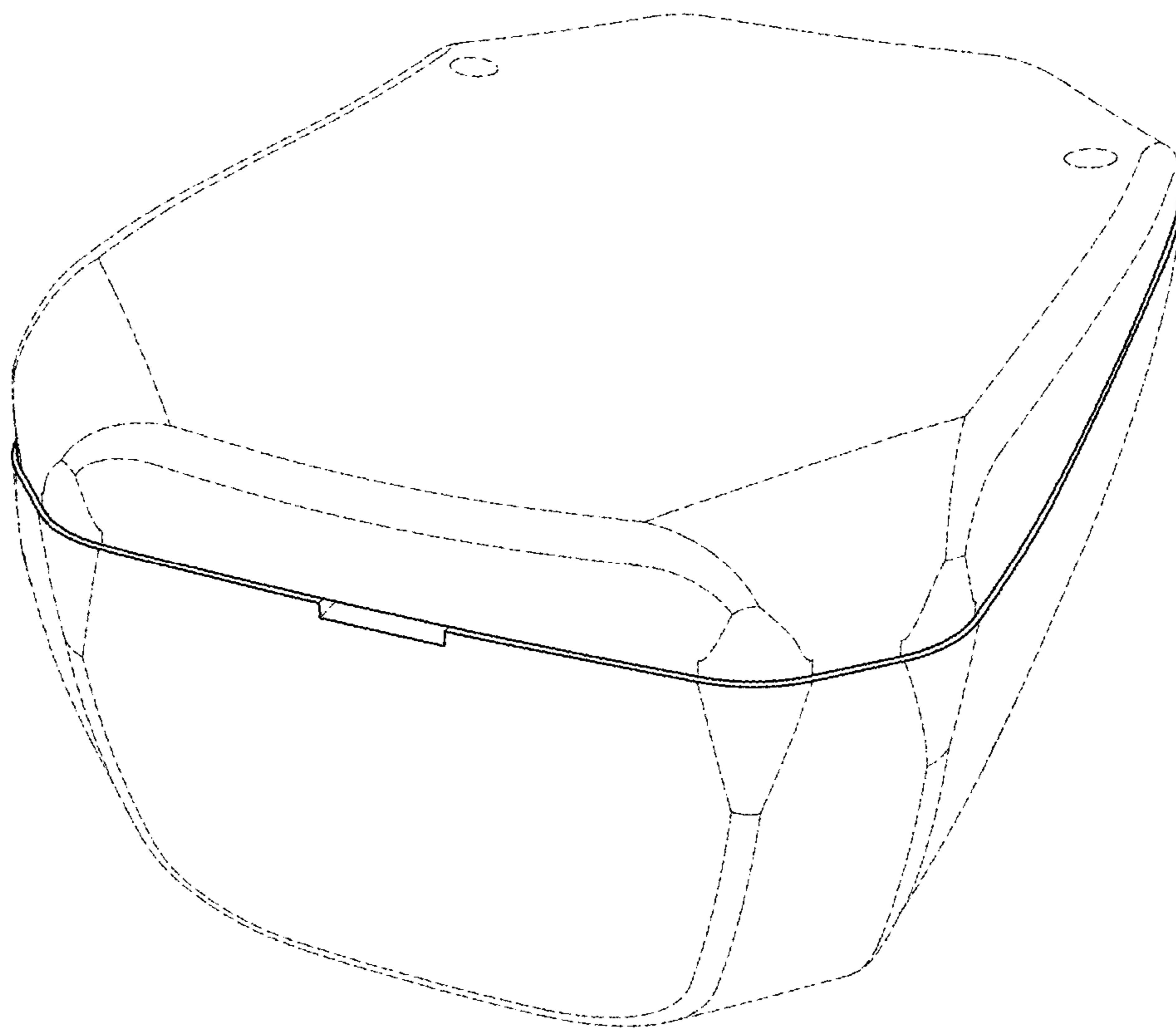


FIG. 15