



US00D772067S

(12) **United States Design Patent**
Mondelli

(10) **Patent No.:** **US D772,067 S**

(45) **Date of Patent:** **** Nov. 22, 2016**

(54) **CARDBOARD PALLET TOPPER**

(71) Applicant: **Packaging Fulfillment Co., Inc.**, La Vergne, TN (US)

(72) Inventor: **Mark Leon Mondelli**, La Vergne, TN (US)

(73) Assignee: **Packaging Fulfillment Co., Inc.**, La Vergne, TN (US)

(**) Term: **14 Years**

(21) Appl. No.: **29/519,031**

(22) Filed: **Mar. 2, 2015**

(51) **LOC (10) Cl.** **09-03**

(52) **U.S. Cl.**
USPC **D9/456; D9/435**

(58) **Field of Classification Search**
USPC D3/272, 273, 302, 304, 309, 310, 313, D3/315, 319, 901; D9/414, 418, 420-424, D9/427, 430-435, 455, 456, 517, 737, 738, D9/739, 740, 741, 744, 745; D19/1, 27; D6/512, 515-525; D34/1, 7, 10, 11; D8/384; 229/100, 101, 101.3, 106, 229/108-112; 294/87.2, 87.28, 159; 206/145, 151, 159, 160, 161, 164, 199, 206/200, 206, 216, 267, 269, 270, 273, 299, 206/427, 430, 503, 509, 737, 740, 821, 206/822; 220/23.83, 353, 908, 909, 910; 232/43.2
CPC B65D 1/243; B65D 2501/24019; B65D 2501/24165; B65D 2501/24152; B65D 11/18; B65D 85/32; B65D 85/30; B65B 1/04
See application file for complete search history.

(56) **References Cited**

U.S. PATENT DOCUMENTS

D178,575 S * 8/1956 Lapron D26/24
D249,240 S * 9/1978 Klitzner D3/271.6

D273,095 S * 3/1984 Schulze D10/109.1
D294,547 S * 3/1988 Saxer 5/414
D329,811 S * 9/1992 Tether D9/434
D333,717 S * 3/1993 Rapaz D34/10
D357,623 S * 4/1995 Davis D8/354
5,628,396 A * 5/1997 Weiner B65D 5/029
206/216
D393,408 S * 4/1998 Mladineo D8/354
5,769,598 A 6/1998 MacNeil
D418,412 S * 1/2000 Komatsu D9/433
6,976,768 B2 * 12/2005 Hewson F21V 7/05
362/227
D615,439 S 5/2010 Ludford
D641,617 S * 7/2011 Steenberg D9/431
D652,709 S * 1/2012 Bucci D8/354

(Continued)

Primary Examiner — Sheryl Lane

Assistant Examiner — Catherine Posthauer

(74) *Attorney, Agent, or Firm* — Patterson Intellectual Property Law, P.C.; Edward D. Lanquist, Jr.

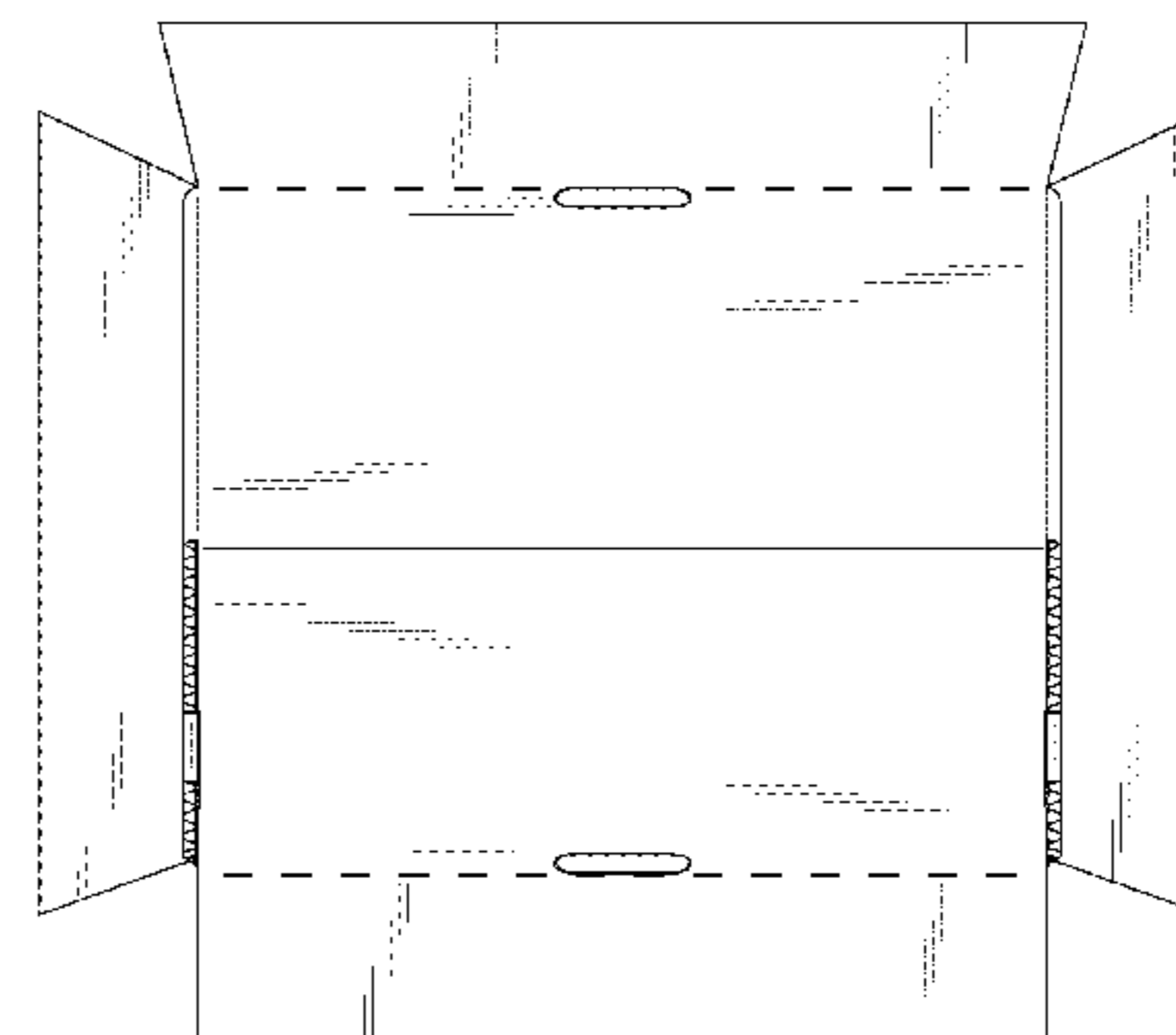
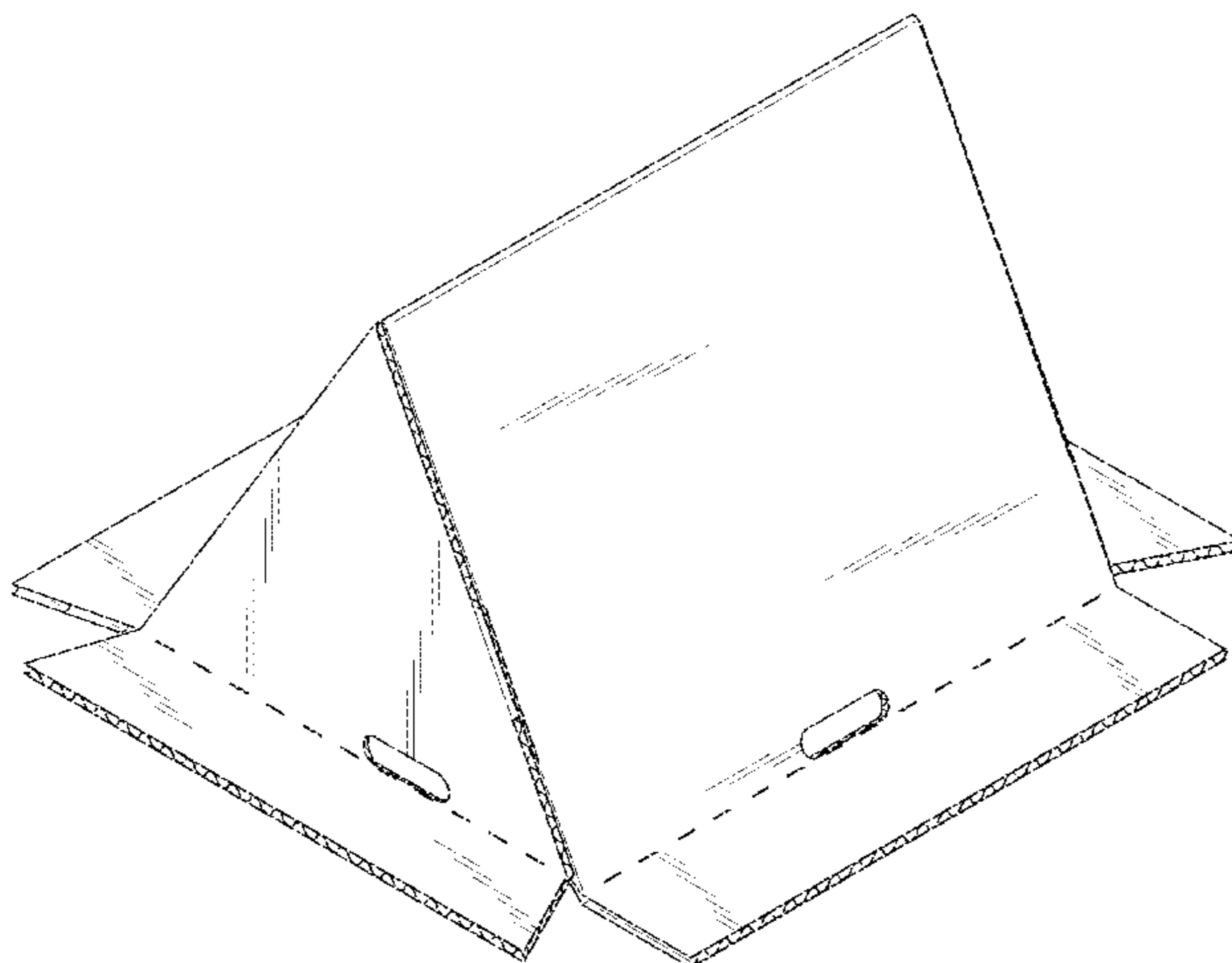
(57) **CLAIM**

What is claimed is the ornamental design for a cardboard pallet topper, as shown and described.

DESCRIPTION

FIG. 1 is a left front perspective view of the assembled cardboard pallet topper.
FIG. 2 is a top view of the cardboard pallet topper of FIG. 1.
FIG. 3 is a front elevation view of the cardboard pallet topper of FIG. 1.
FIG. 4 is a bottom view of the cardboard pallet topper of FIG. 1.
FIG. 5 is a left side elevation view of the cardboard pallet topper of FIG. 1, the right side being a mirror image thereof.
FIG. 6 is a rear elevation view of the cardboard pallet topper of FIG. 1; and,
FIG. 7 is a plan view showing my design in an alternate, unassembled configuration. In FIG. 7 the broken lines depict perforations or scoring which form a part of the claimed design.

1 Claim, 7 Drawing Sheets



(56)

References Cited

U.S. PATENT DOCUMENTS

D660,685 S * 5/2012 Bucci D21/505
D672,233 S * 12/2012 Green D9/431
D682,677 S * 5/2013 Dennin D9/431
D683,214 S * 5/2013 McAdam D9/430

D694,125 S * 11/2013 Holsmer D9/753
D719,354 S * 12/2014 Yu D3/318
D736,066 S * 8/2015 Hull D8/354
9,168,465 B2 * 10/2015 Howard A63H 33/046
D745,392 S * 12/2015 Solovov, Jr. D9/433

* cited by examiner

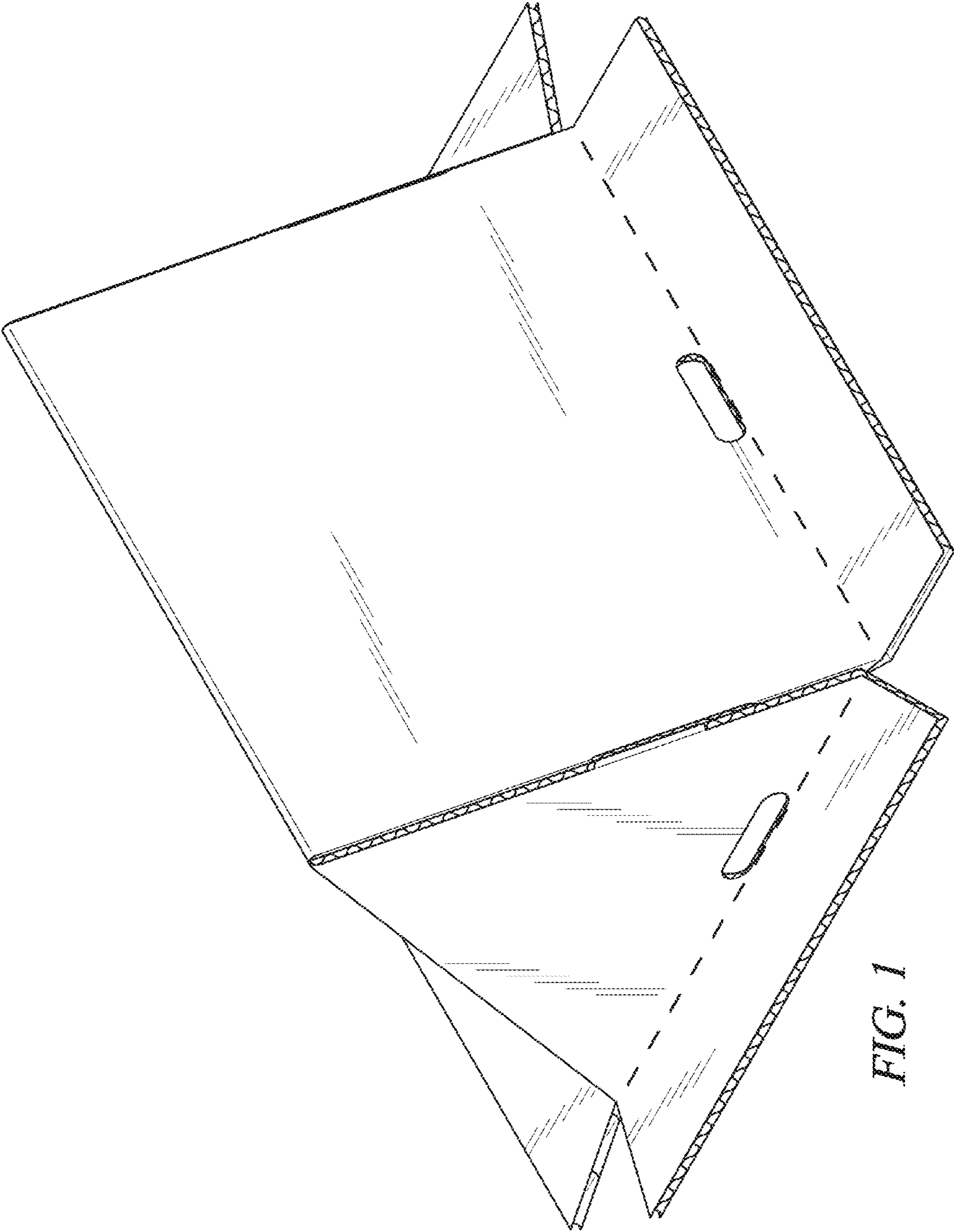


FIG. 1

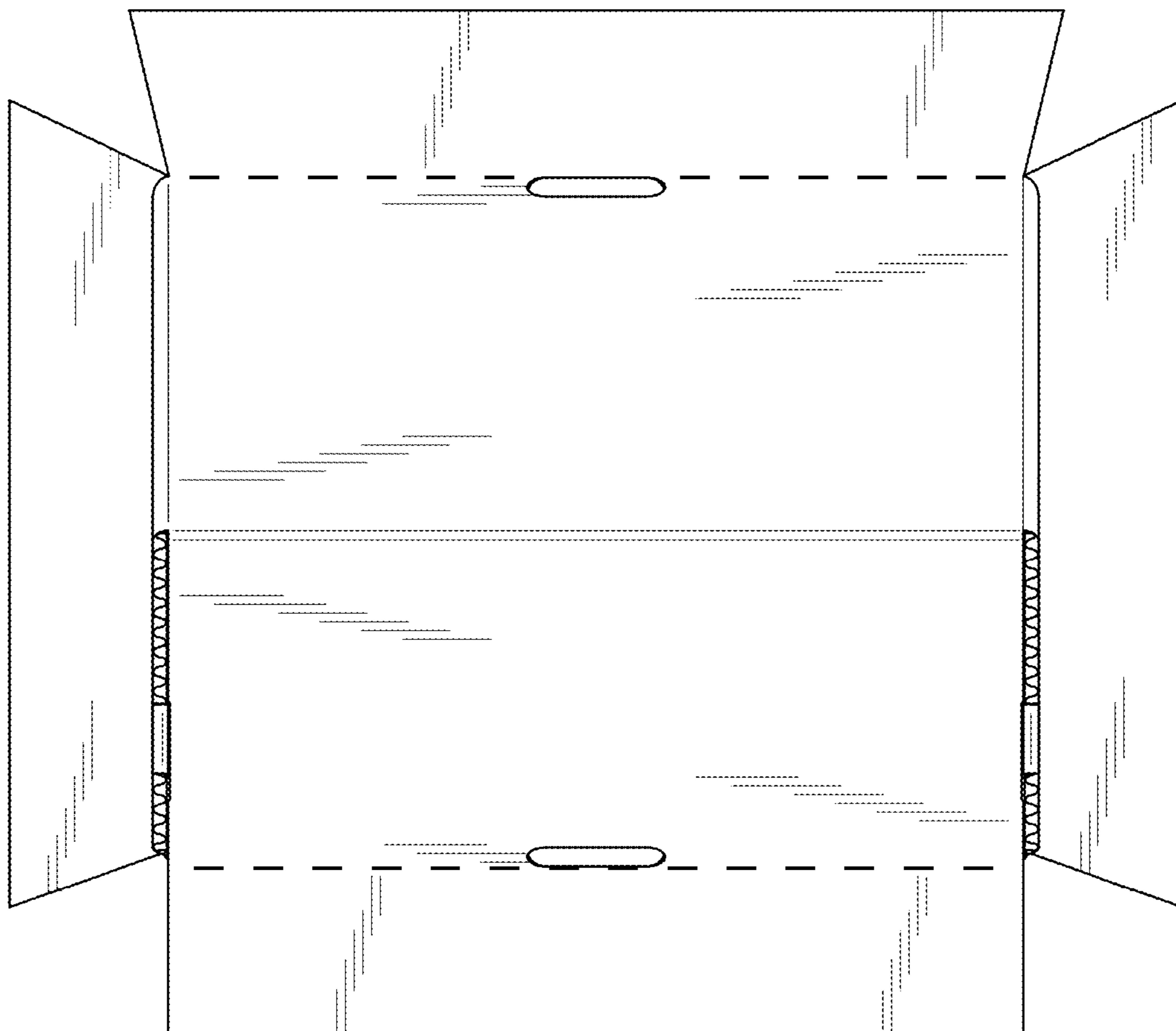


FIG. 2

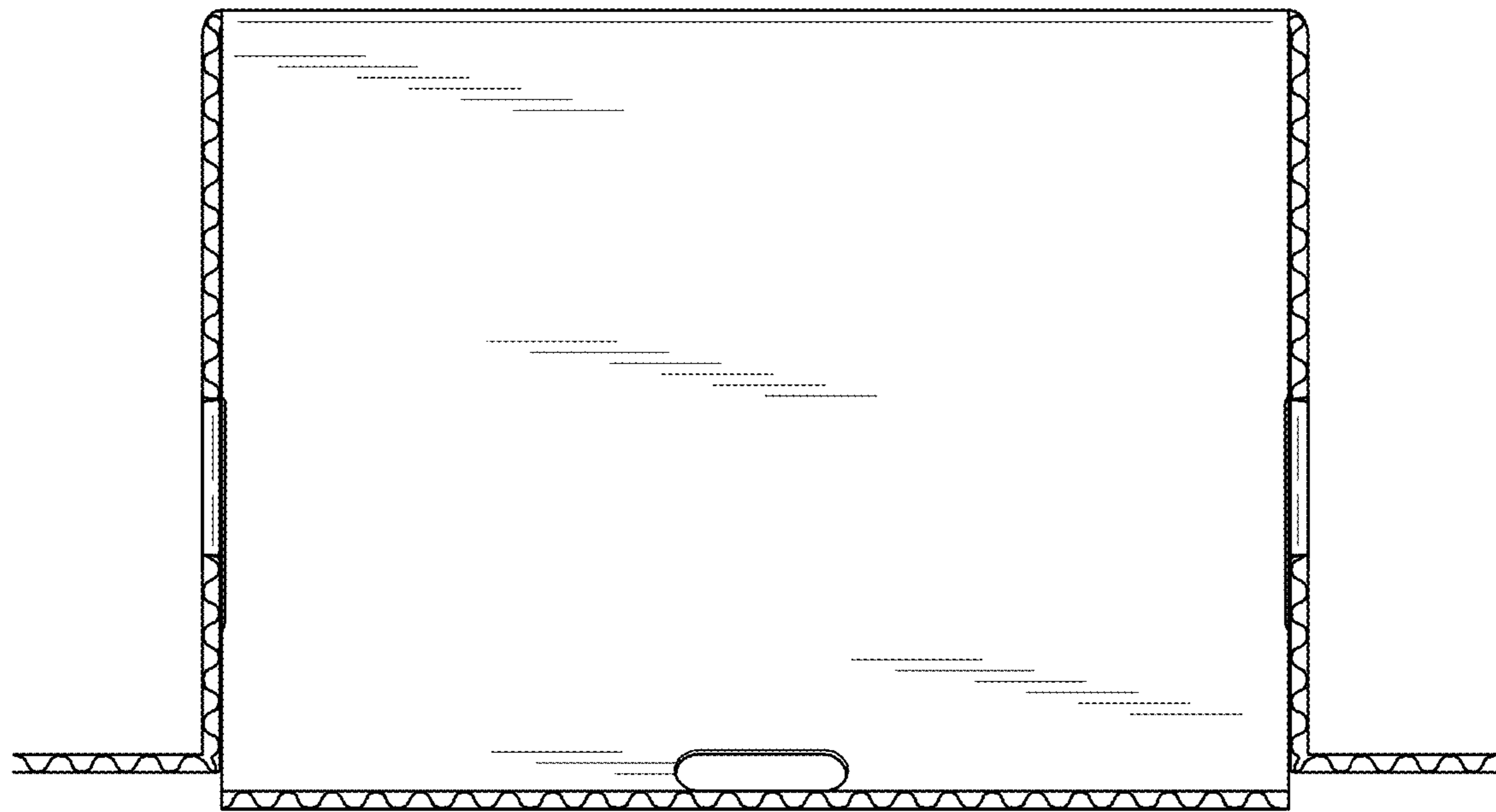


FIG. 3

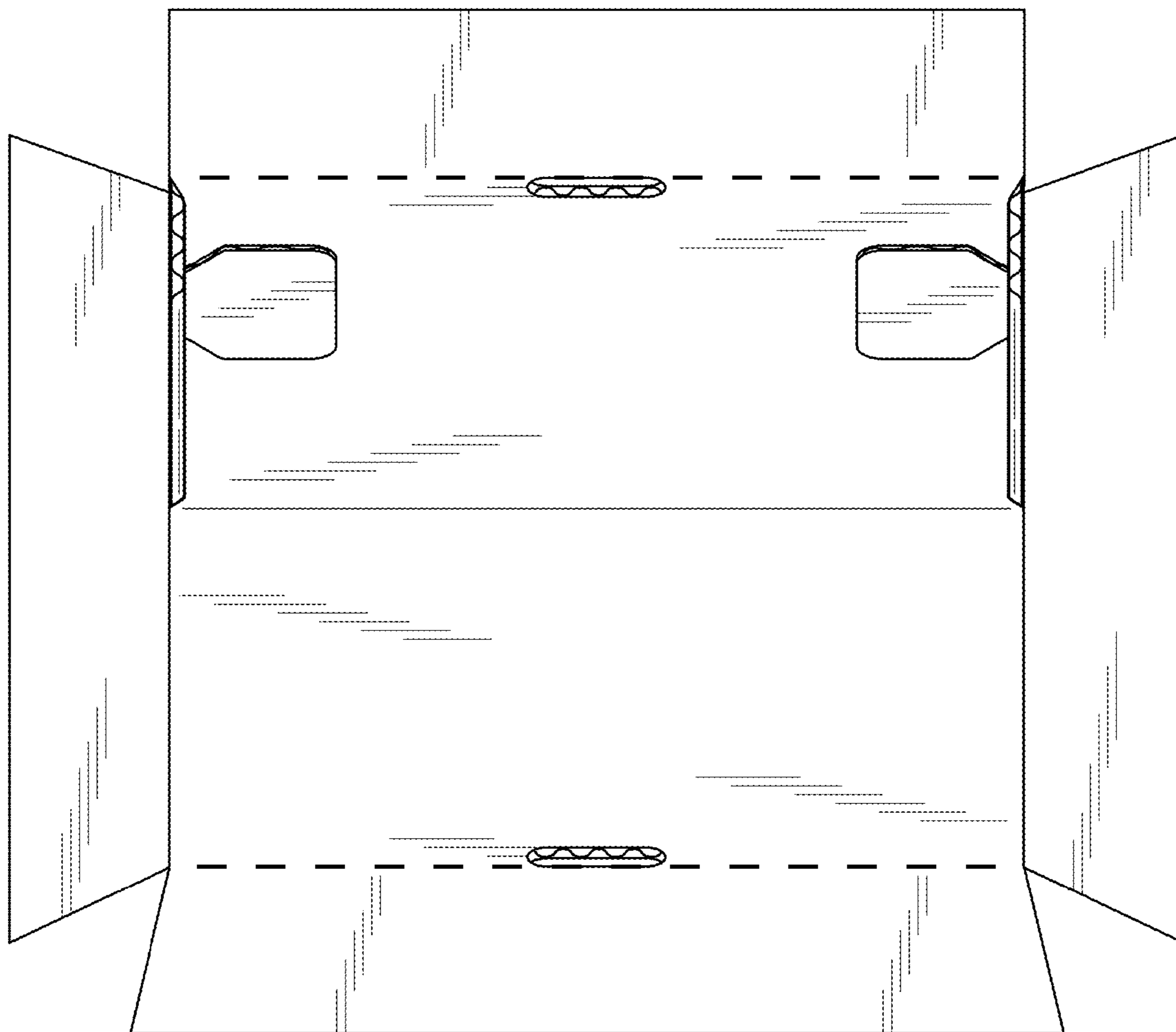


FIG. 4

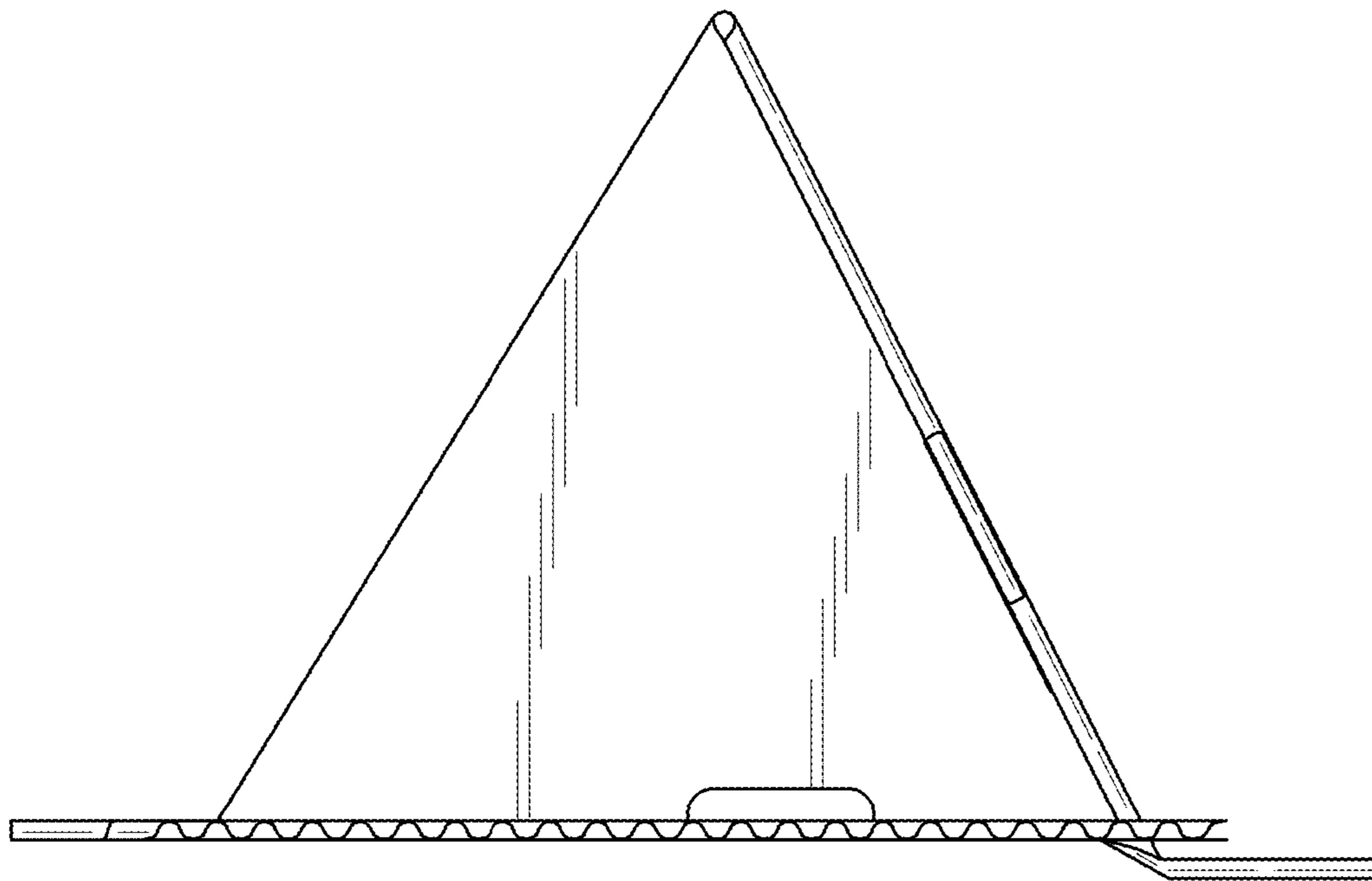


FIG. 5

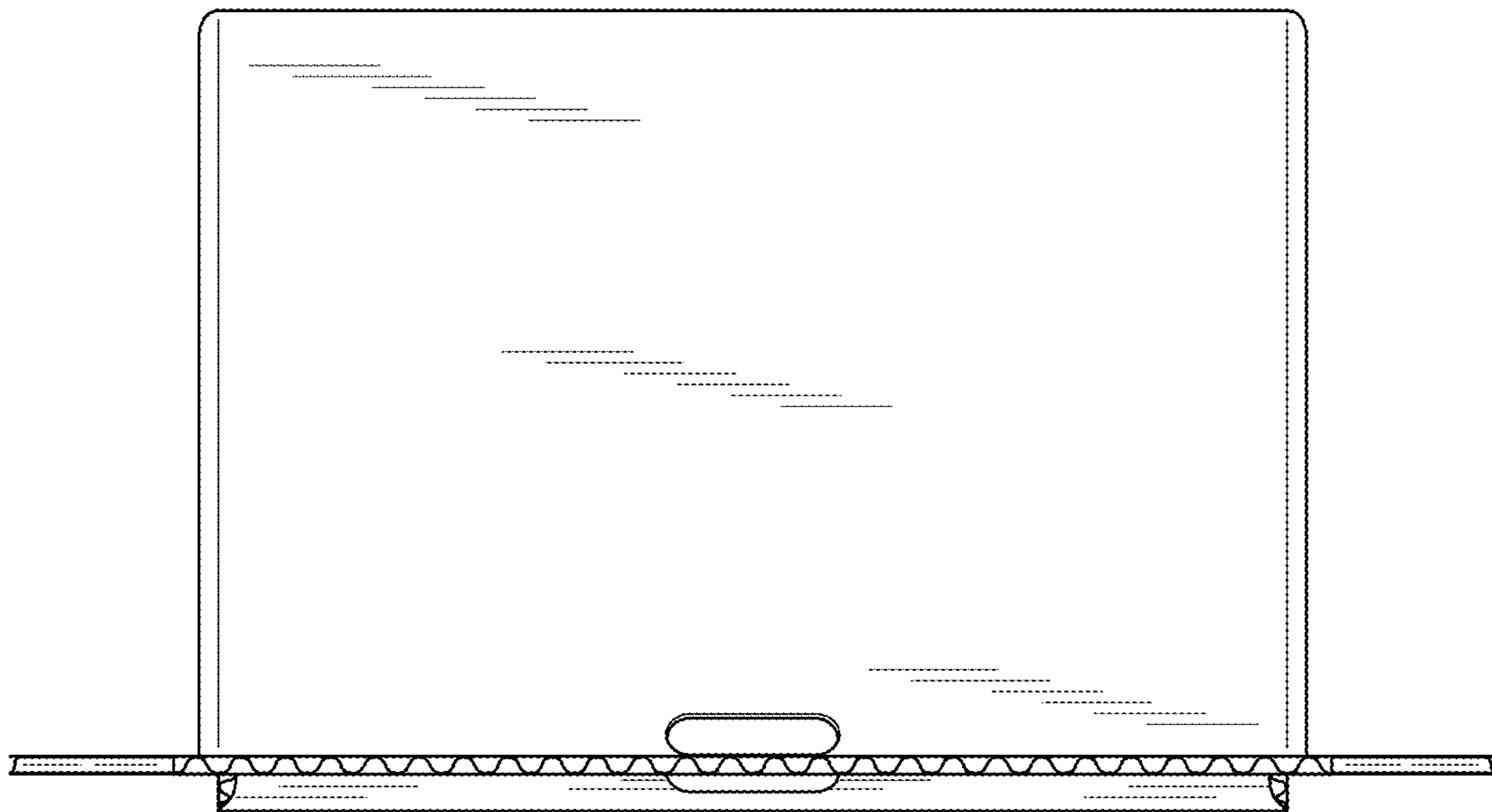


FIG. 6

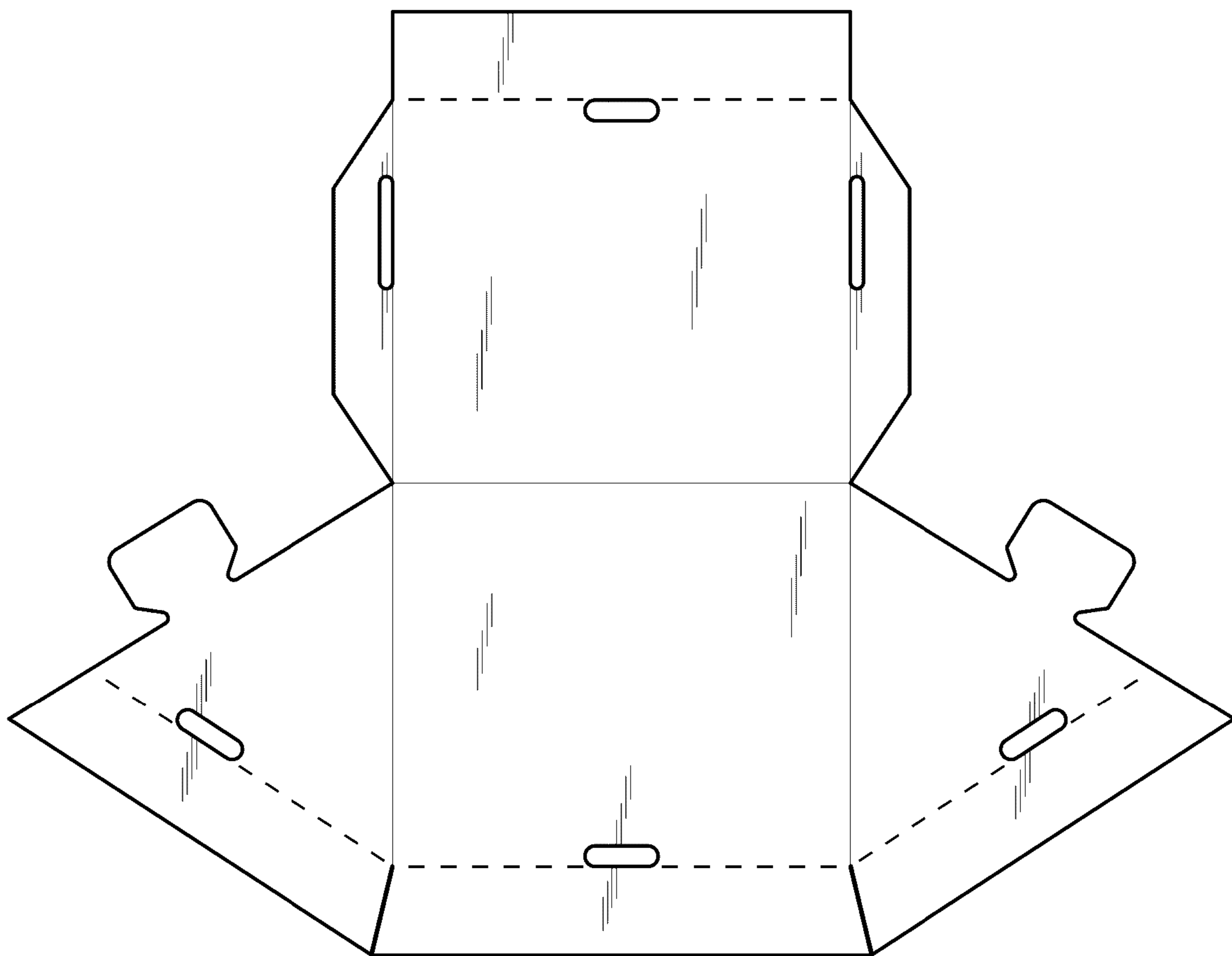


FIG. 7