



US00D772066S

(12) **United States Design Patent** (10) **Patent No.:** **US D772,066 S**
Phipps et al. (45) **Date of Patent:** **** Nov. 22, 2016**

(54) **DISPENSER COVER SIMULATING A SHELL**

2005/0054991 A1 3/2005 Tobyn et al.
2007/0000946 A1 1/2007 Phipps et al.
2012/0205393 A1 8/2012 Perez et al.

(71) Applicant: **Custom Rx TDA, LLC**, Woodstock, GA (US)

FOREIGN PATENT DOCUMENTS

(72) Inventors: **Timothy Gayle Phipps**, Woodstock, GA (US); **Dale Melton Coker**, Woodstock, GA (US); **Daniel Lee DeYoung**, Woodstock, GA (US); **Ellen Brown**, Marietta, GA (US)

EP 858271 3/2000
WO 2012131320 10/2012

OTHER PUBLICATIONS

(73) Assignee: **CUSTOM RX TDA, LLC**, Woodstock, GA (US)

Terapeak. Estee Lauder Golden Seashell Compact. Dec. 23, 2015 [earliest online date], [site visited Jun. 17, 2016]. Available from Internet, <URL:http://www.terapeak.com/worth/estee-lauder-golden-seashell-compact/191672034924/>.*
International Patent Application No. PCT/US2015/055814 Invitation to Pay Additional Fees, and, Where Applicable, Protest Fee, mailed Jan. 14, 2016, 9 pages.

(**) Term: **15 Years**

* cited by examiner

(21) Appl. No.: **29/529,088**

(22) Filed: **Jun. 3, 2015**

Primary Examiner — Robert M Spear
Assistant Examiner — Darcey E Heflin

(51) **LOC (10) Cl.** **09-07**

(52) **U.S. Cl.**
USPC **D9/451**; D9/666

(74) *Attorney, Agent, or Firm* — Kilpatrick Townsend & Stockton LLP

(58) **Field of Classification Search**
USPC D9/434, 435, 441, 443, 451, 499, 600, D9/666; D28/79; 206/457
CPC B65D 81/366
See application file for complete search history.

(57) **CLAIM**
The ornamental design for a dispenser cover simulating a shell, as shown and described.

(56) **References Cited**

DESCRIPTION

U.S. PATENT DOCUMENTS

D19,586 S *	1/1890	Smith	D9/441
D93,591 S *	10/1934	Wewetzer	D28/80
D115,881 S *	7/1939	Lewis	D9/666
D166,238 S *	3/1952	Bedinger	D28/80
D175,832 S *	10/1955	Gerson	D9/606
D243,430 S *	2/1977	Thrush	D11/157
D253,514 S *	11/1979	Etelson	D7/539
D255,096 S *	5/1980	Etelson	D9/666
D300,510 S *	4/1989	Mason, Jr.	D9/666
D308,021 S *	5/1990	Natori	D9/666
D314,842 S *	2/1991	Fleming	D28/79
D371,743 S *	7/1996	Wacker	D9/562
D501,188 S *	1/2005	Zhu	D14/138 AB
D679,195 S *	4/2013	Markham	D9/666
D688,830 S *	8/2013	Friedman	D28/79

FIG. 1 is a front perspective view of a dispenser cover simulating a shell attached to a dispenser with the dispenser cover simulating a shell in a closed position.
FIG. 2 is a front elevation view of the dispenser cover simulating a shell and dispenser of FIG. 1.
FIG. 3 is a rear elevation view of the dispenser cover simulating a shell and dispenser of FIG. 1.
FIG. 4 is a left side elevation view of the dispenser cover simulating a shell and dispenser of FIG. 1, the right side elevation view being a mirror image of the left side elevation view.
FIG. 5 is a top plan view of the dispenser cover simulating a shell and dispenser of FIG. 1.

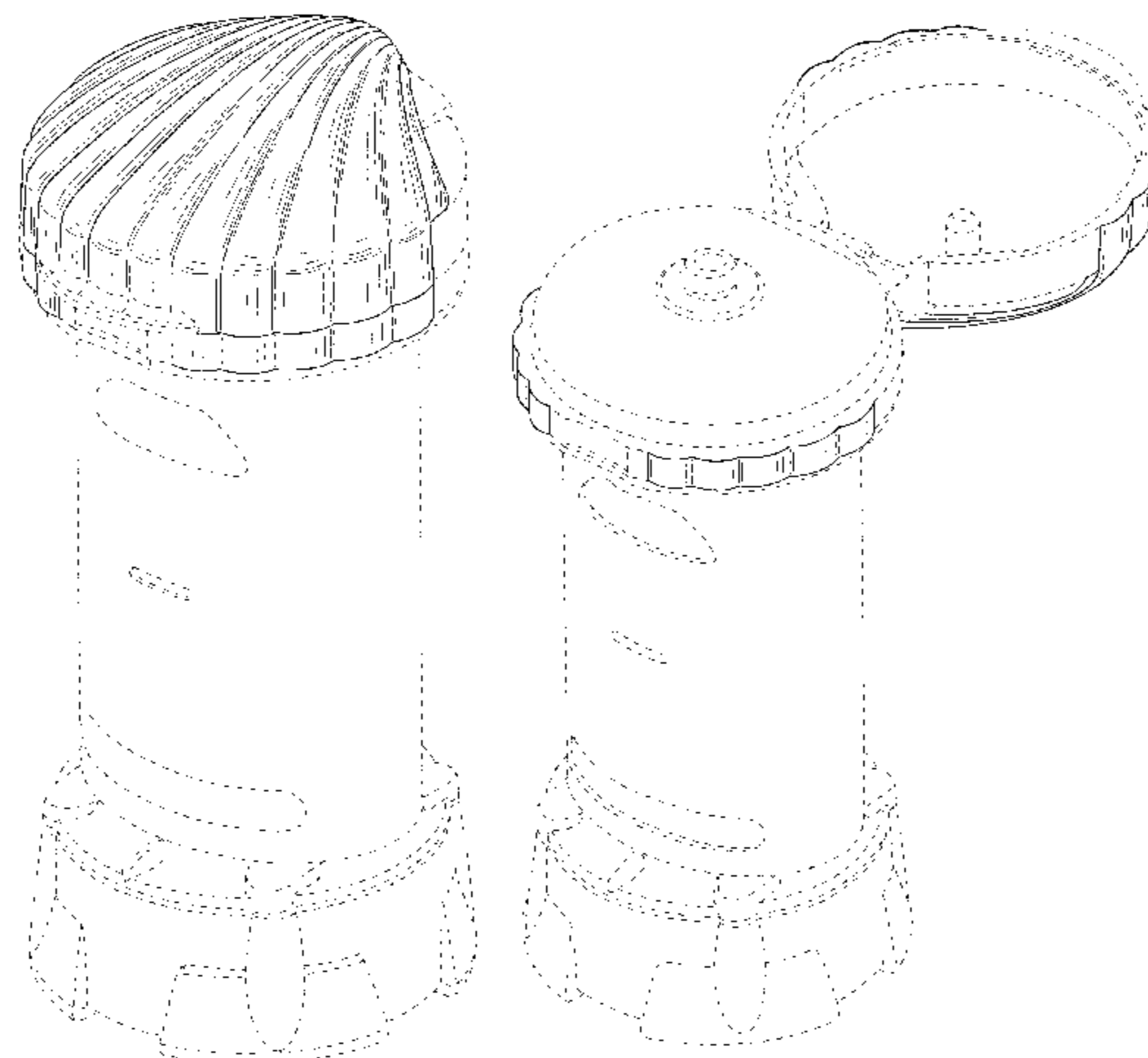


FIG. 6 is a bottom plan view of the dispenser cover simulating a shell and dispenser of FIG. 1.

FIG. 7 is a front perspective view of the dispenser cover simulating a shell and dispenser of FIG. 1 with the dispenser cover simulating a shell in an open position.

FIG. 8 is a front elevation view of the dispenser cover simulating a shell and dispenser of FIG. 1 with the dispenser cover simulating a shell in an open position.

FIG. 9 is a rear elevation view of the dispenser cover simulating a shell and dispenser of FIG. 1 with the dispenser cover simulating a shell in an open position.

FIG. 10 is a left side elevation view of the dispenser cover simulating a shell and dispenser of FIG. 1 with the dispenser cover simulating a shell in an open position, the right side elevation view being a mirror image of the left side elevation view.

FIG. 11 is a top plan view of the dispenser cover simulating a shell and dispenser of FIG. 1 with the dispenser cover simulating a shell in an open position.

FIG. 12 is a bottom plan view of the dispenser cover simulating a shell and dispenser of FIG. 1 with the dispenser cover simulating a shell in an open position.

FIG. 13 is a front perspective view of the dispenser cover simulating a shell of FIG. 1.

FIG. 14 is a front elevation view of the dispenser cover simulating a shell of FIG. 1.

FIG. 15 is a rear elevation view of the dispenser cover simulating a shell of FIG. 1.

FIG. 16 is a left side elevation view of the dispenser cover simulating a shell of FIG. 1, the right side elevation view being a mirror image of the left side elevation view.

FIG. 17 is a top plan view of the dispenser cover simulating a shell of FIG. 1.

FIG. 18 is a bottom plan view of the dispenser cover simulating a shell of FIG. 1.

FIG. 19 is a front perspective view of the dispenser cover simulating a shell of FIG. 1 with the dispenser cover simulating a shell in an open position.

FIG. 20 is a front elevation view of the dispenser cover simulating a shell of FIG. 1 with the dispenser cover simulating a shell in an open position.

FIG. 21 is a rear elevation view of the dispenser cover simulating a shell of FIG. 1 with the dispenser cover simulating a shell in an open position.

FIG. 22 is a left side elevation view of the dispenser cover simulating a shell of FIG. 1 with the dispenser cover simulating a shell in an open position, the right side elevation view being a mirror image of the left side elevation view.

FIG. 23 is a top plan view of the dispenser cover simulating a shell of FIG. 1 with the dispenser cover simulating a shell in an open position; and,

FIG. 24 is a bottom plan view of the dispenser cover simulating a shell of FIG. 1 with the dispenser cover simulating a shell in an open position.

In the drawings, the broken lines showing a dispenser and dispenser cover depict environment and form no part of the claim.

1 Claim, 20 Drawing Sheets

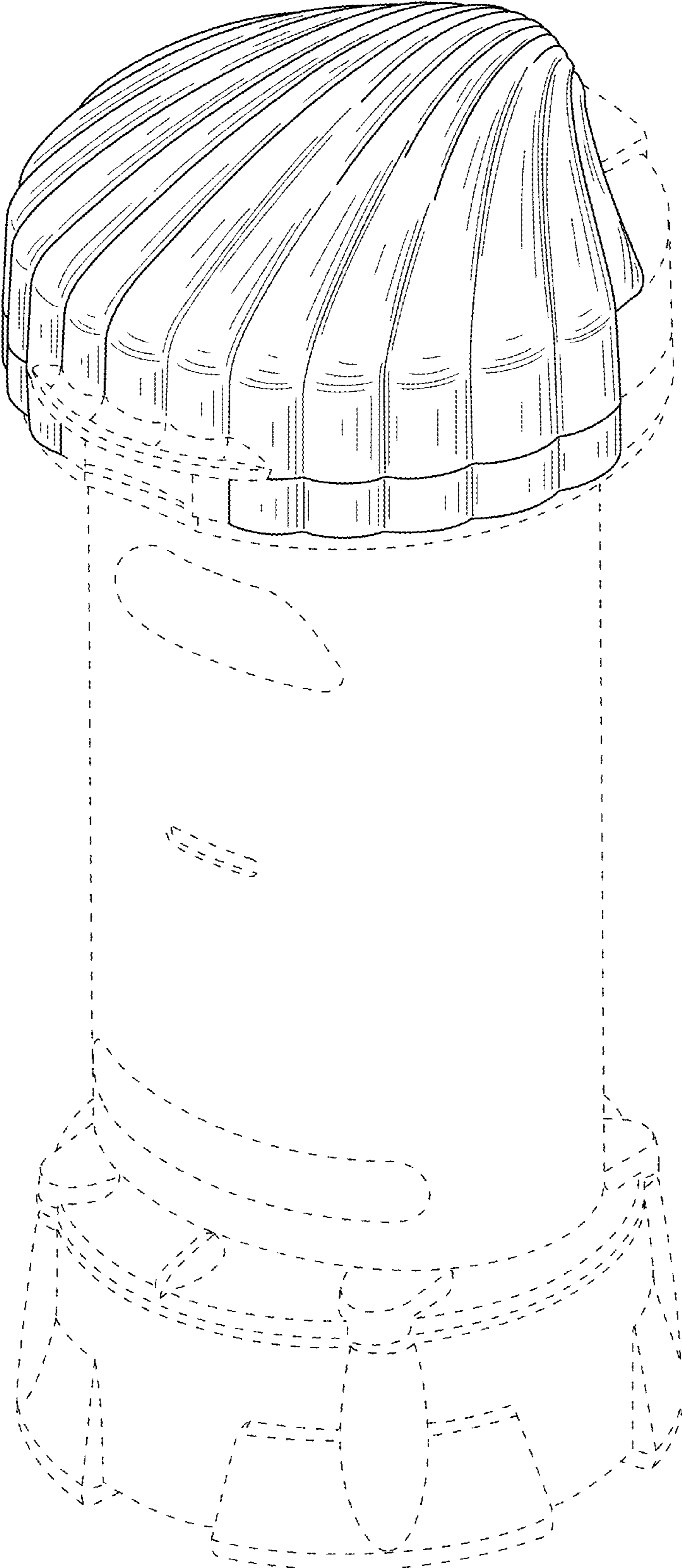


FIG. 1

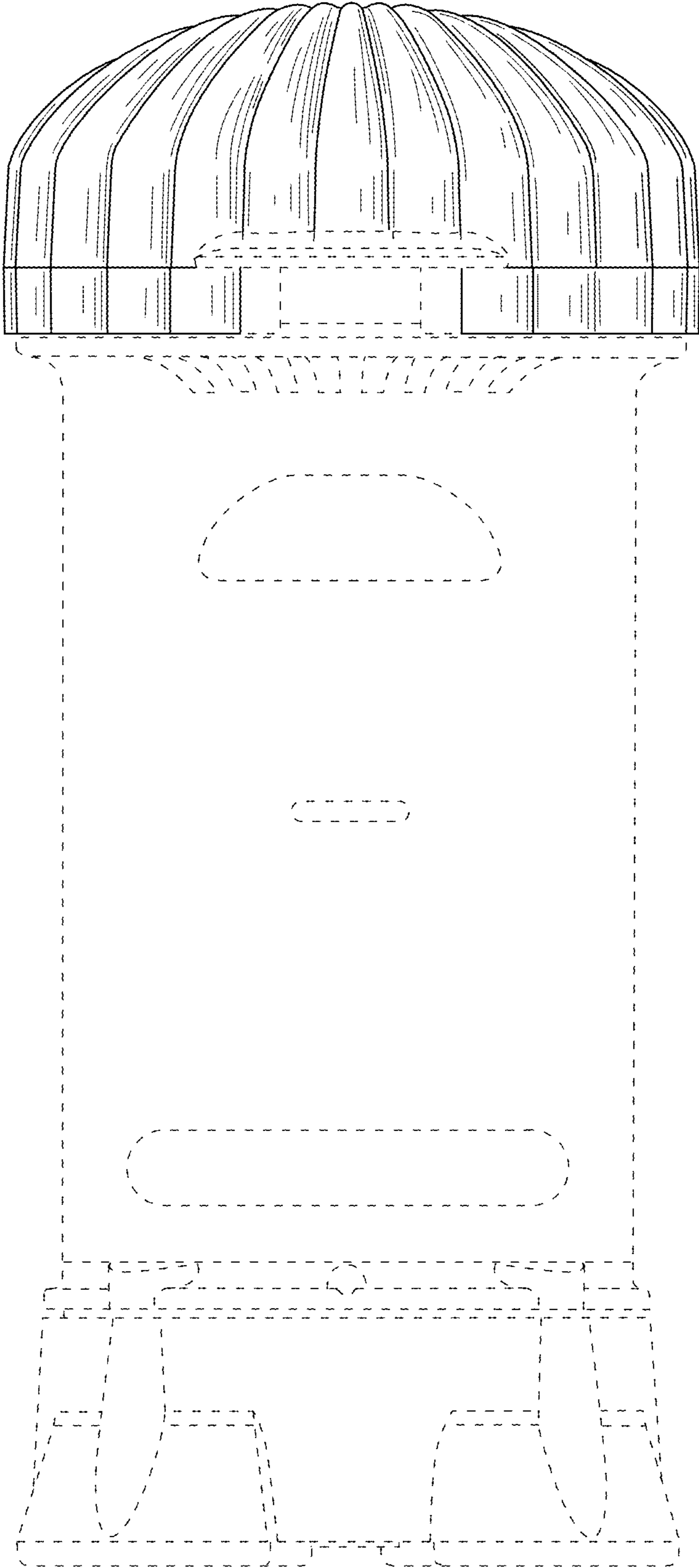


FIG. 2



FIG. 3

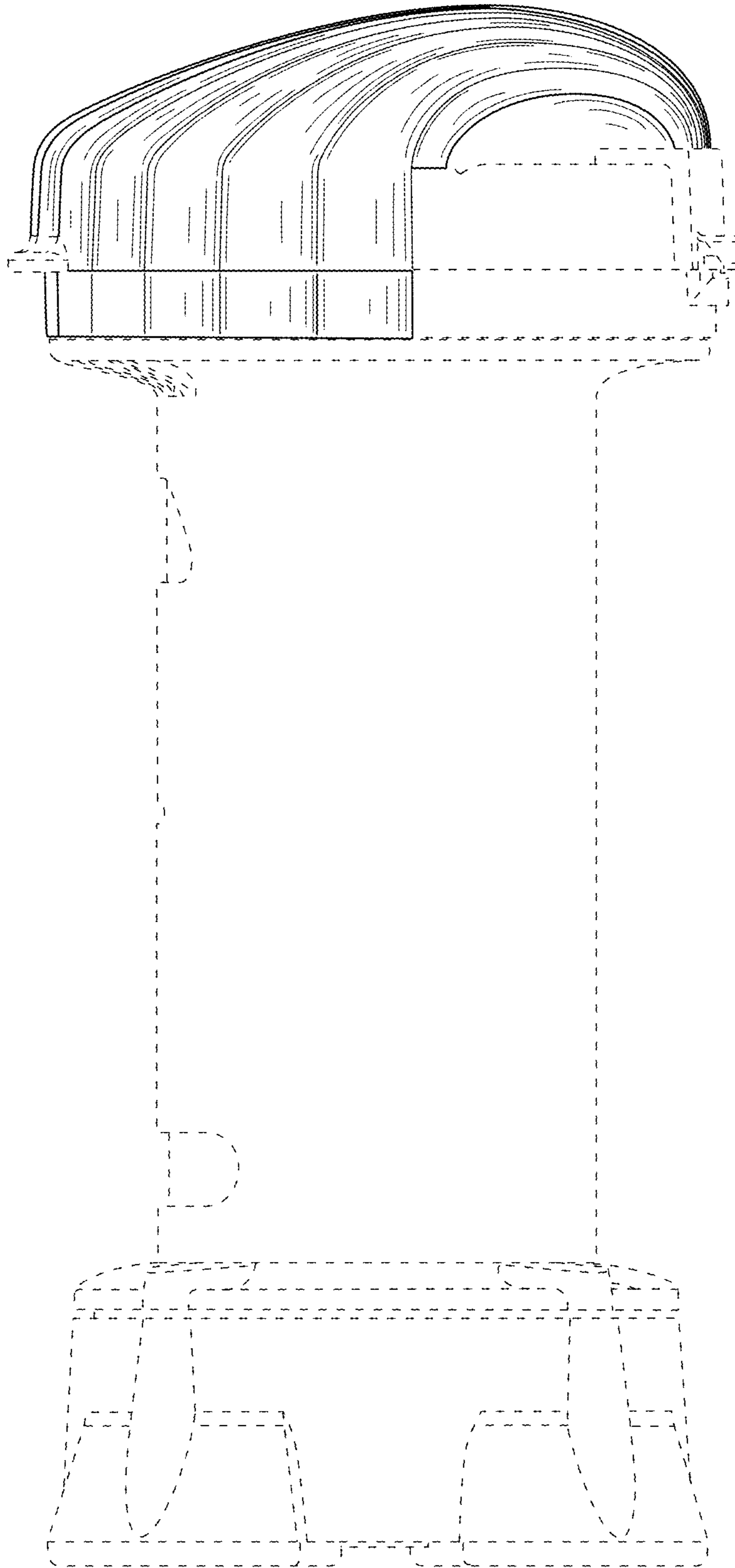


FIG. 4

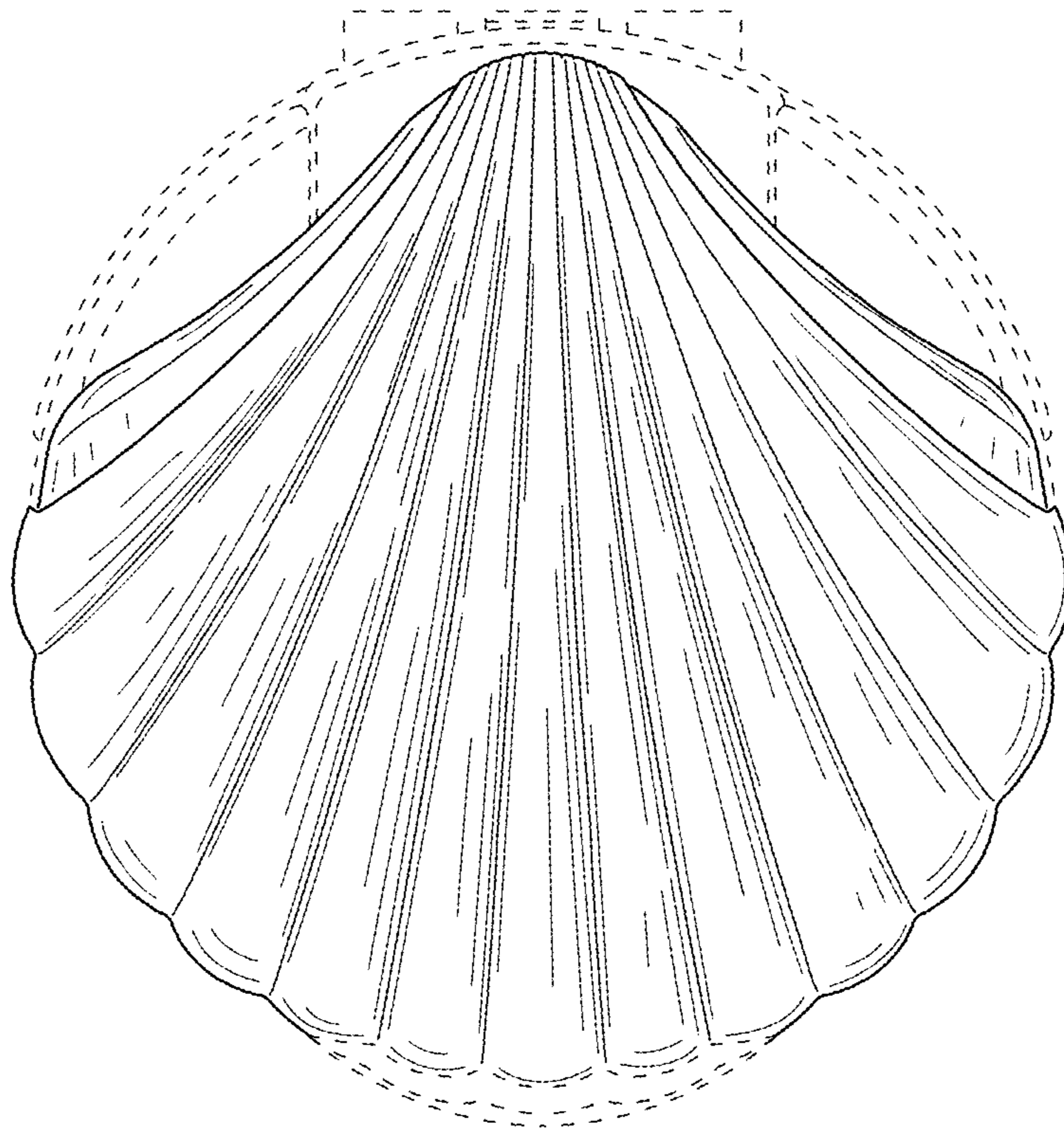


FIG. 5

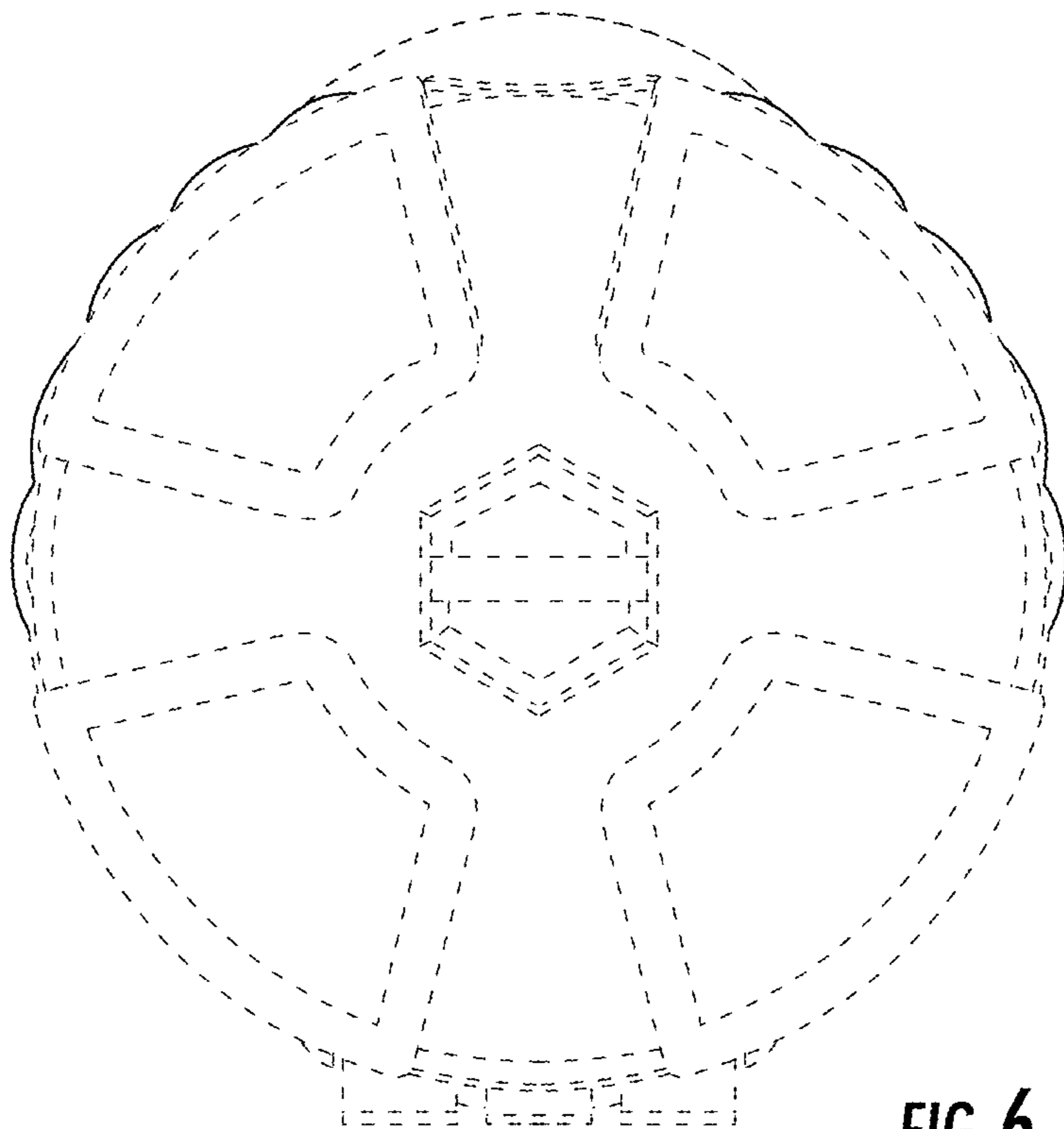


FIG. 6

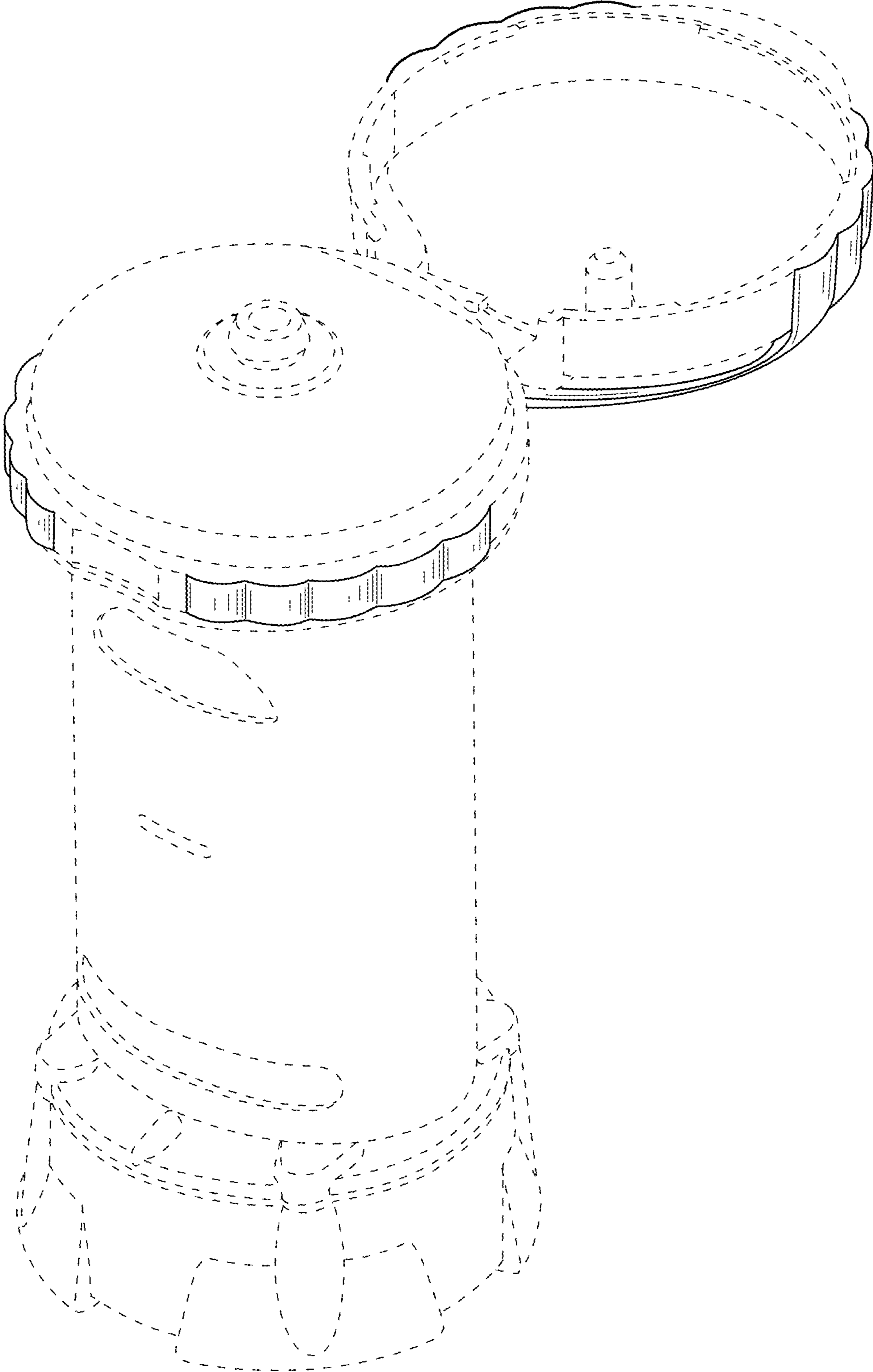


FIG. 7

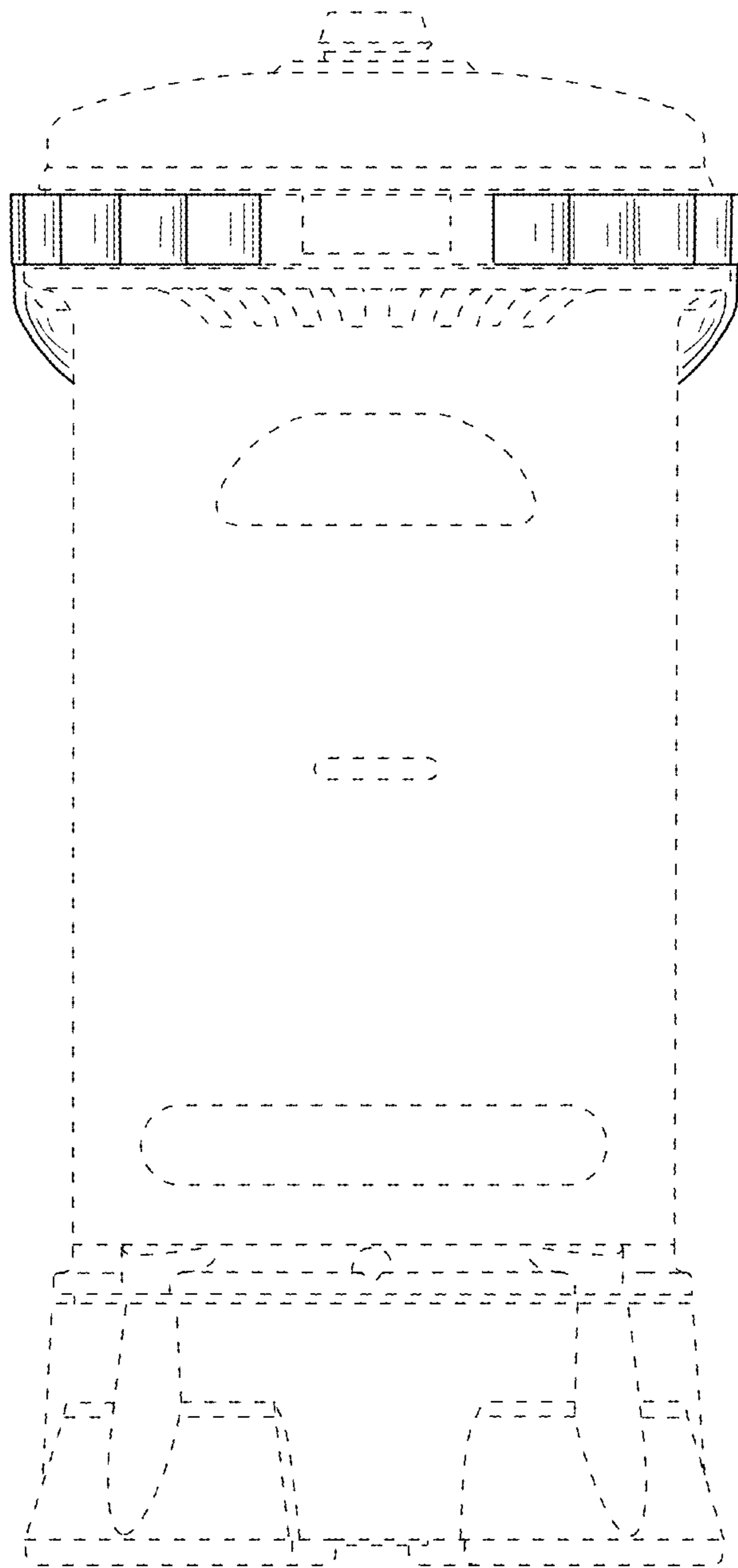


FIG. 8

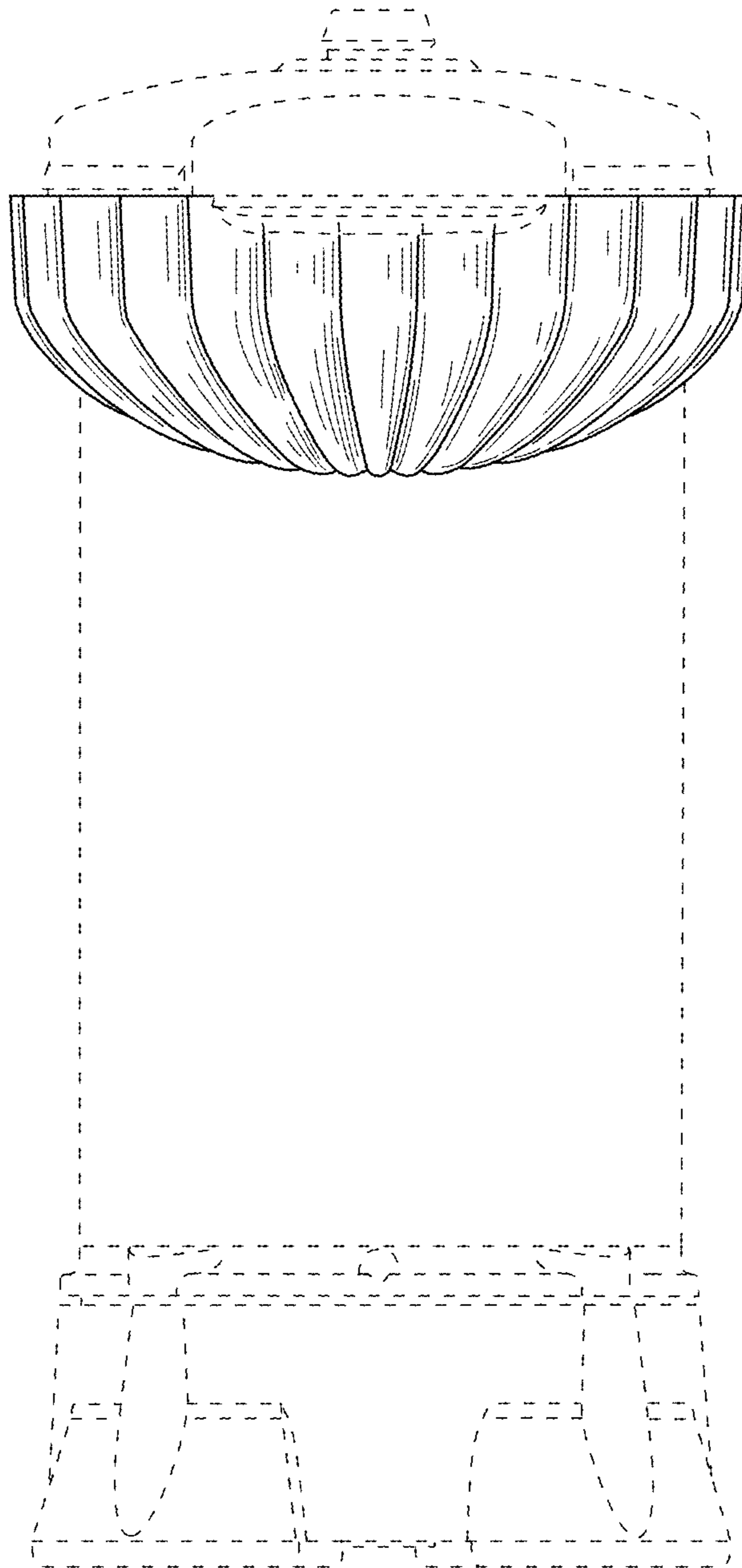


FIG. 9

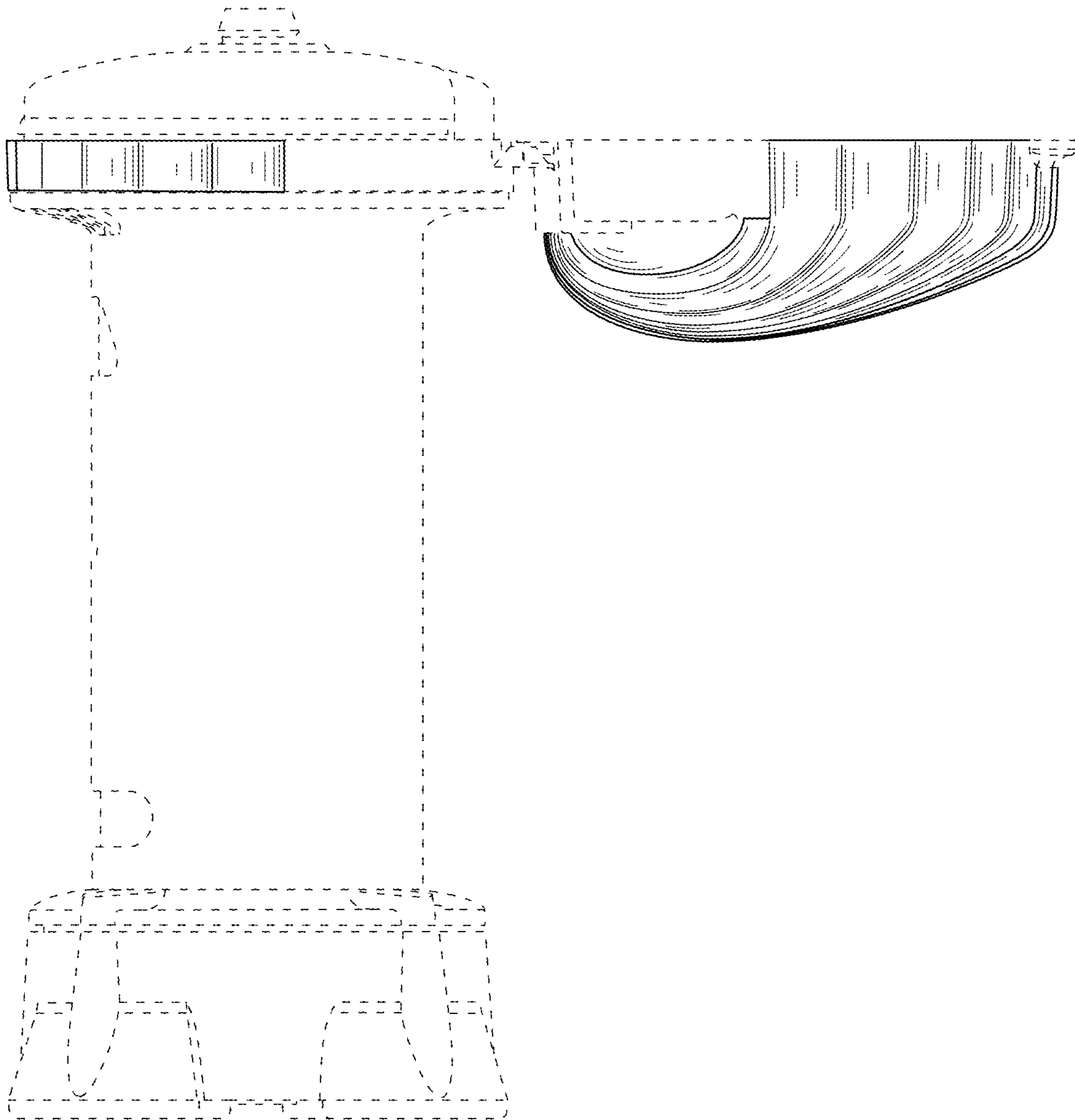


FIG. 10

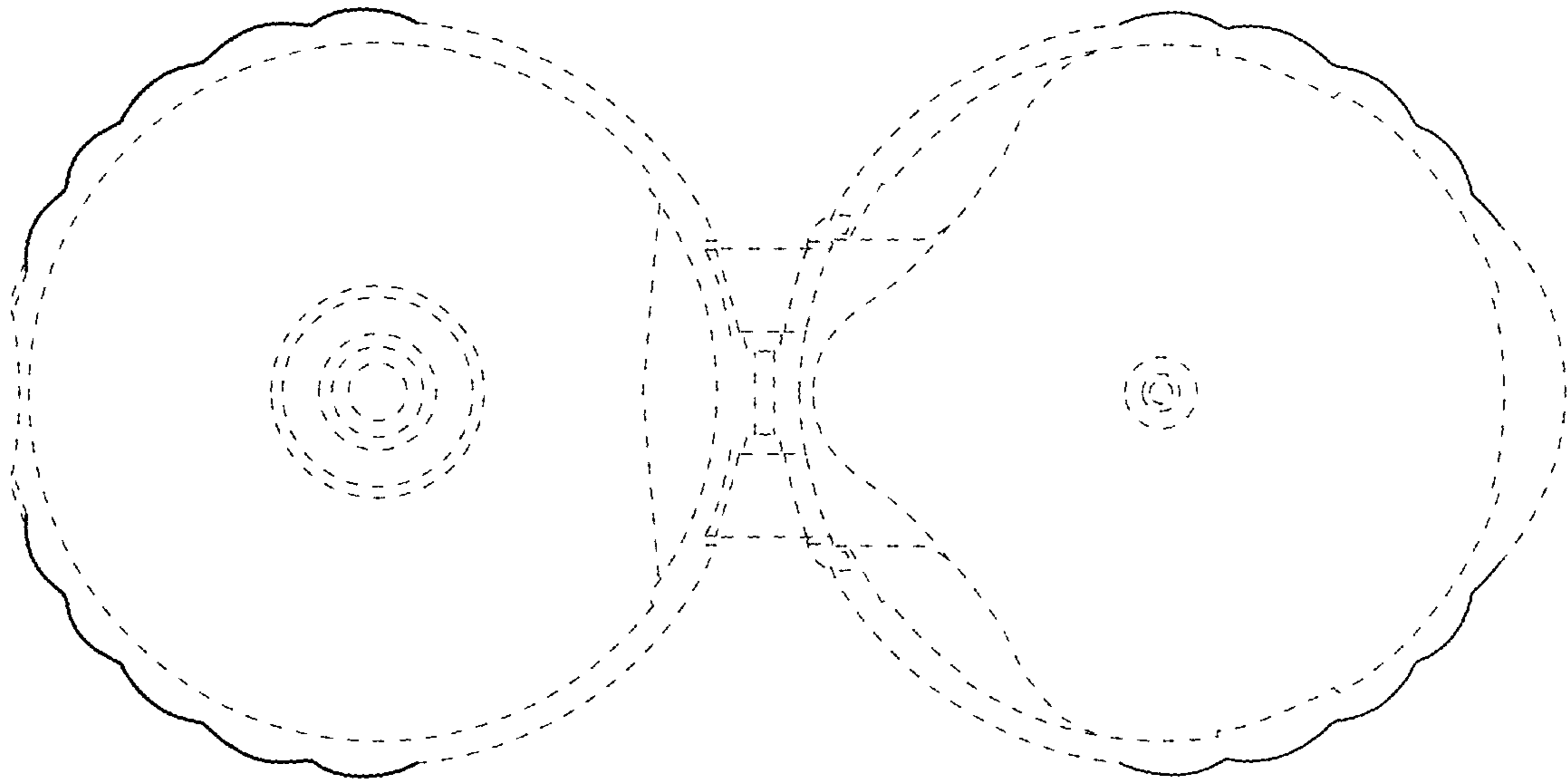


FIG. 11

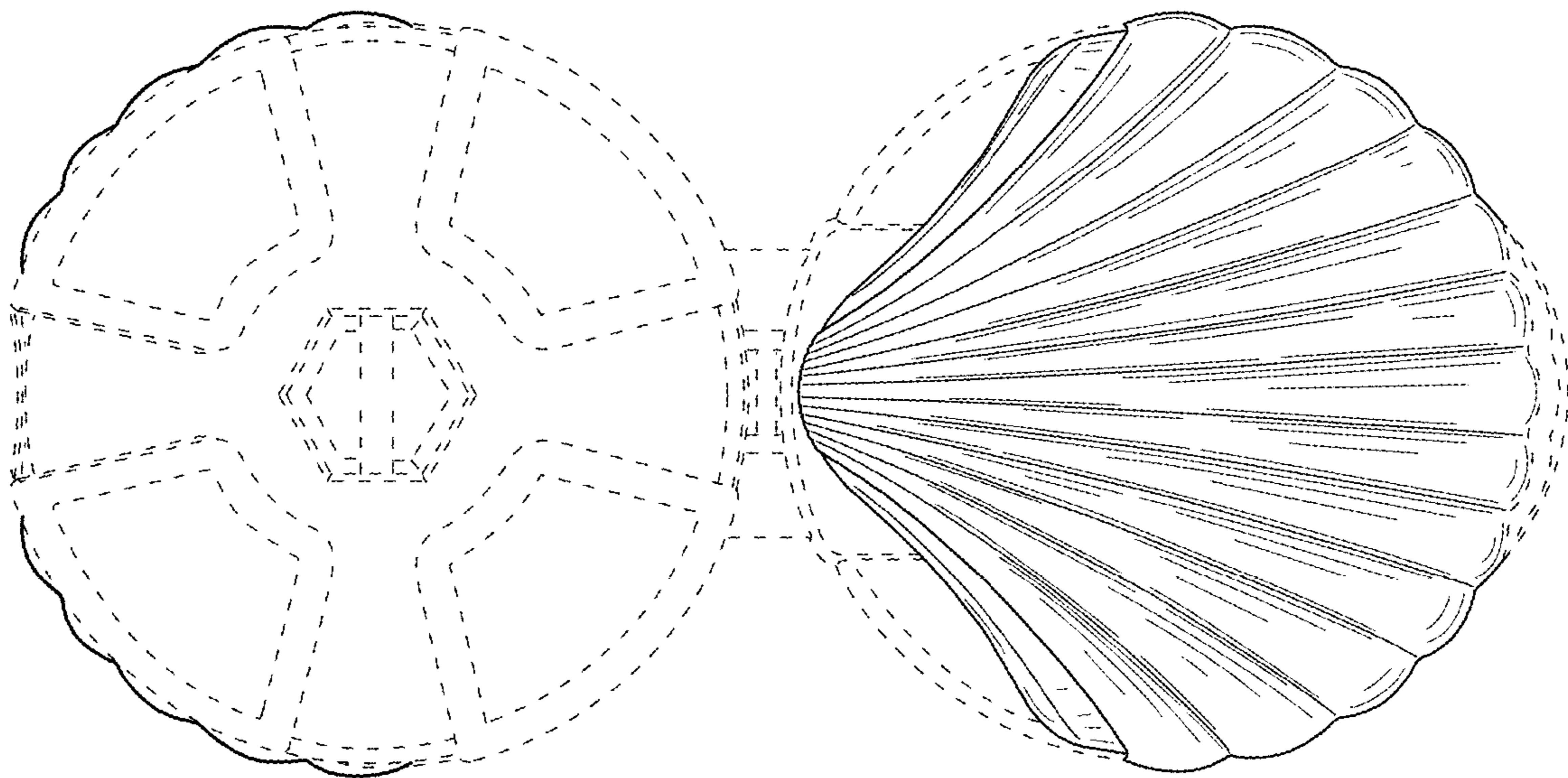


FIG. 12

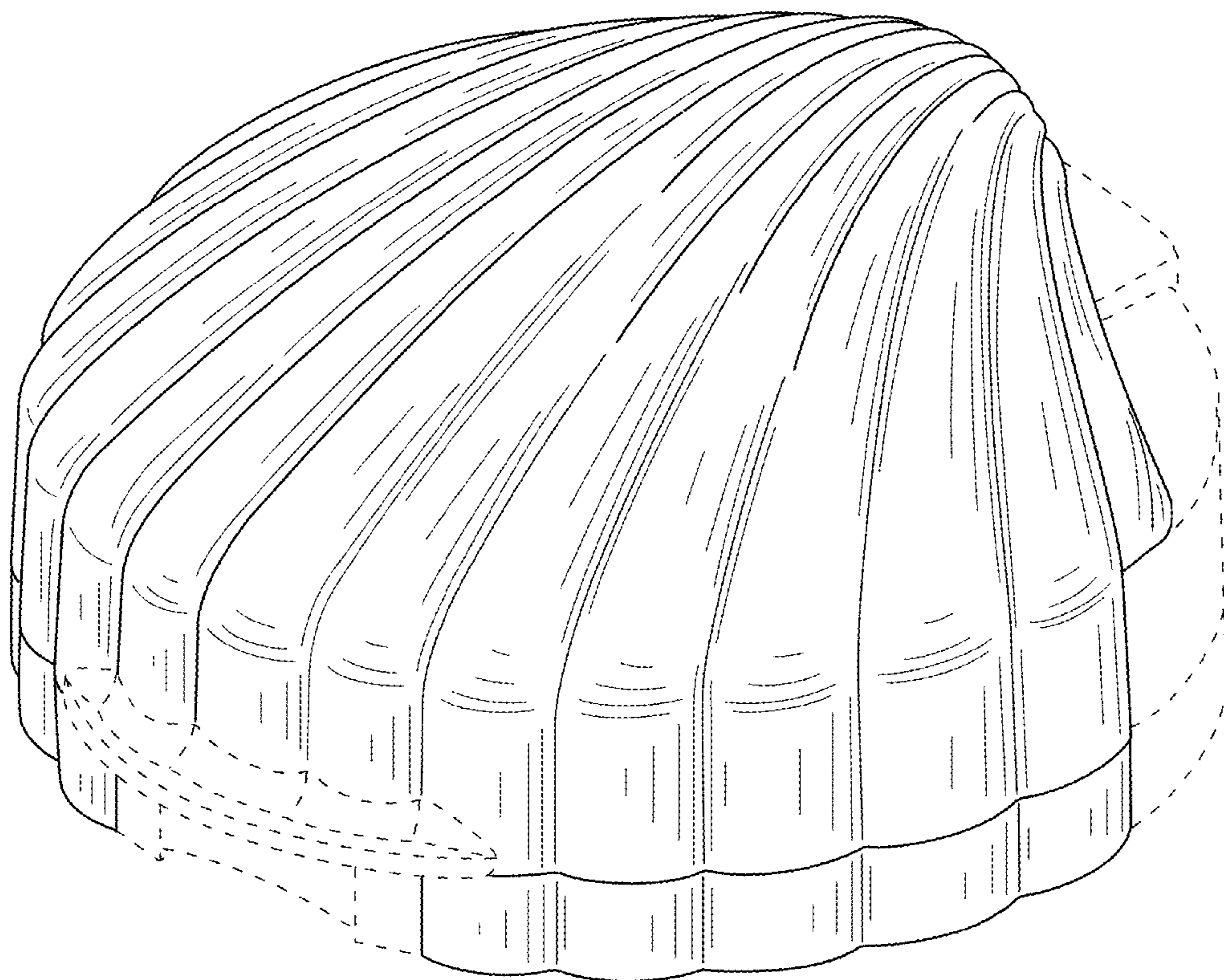


FIG. 13

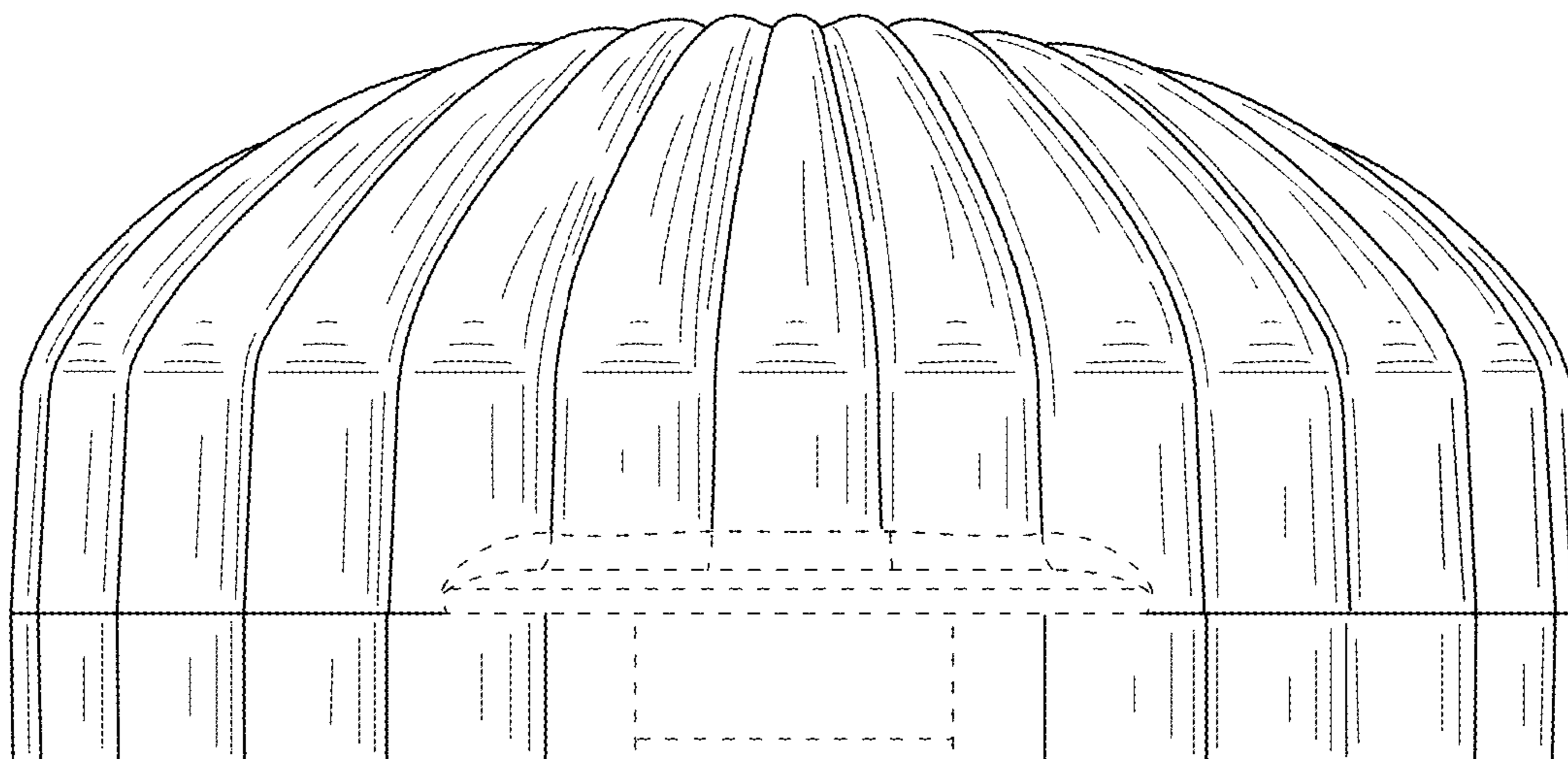


FIG. 14

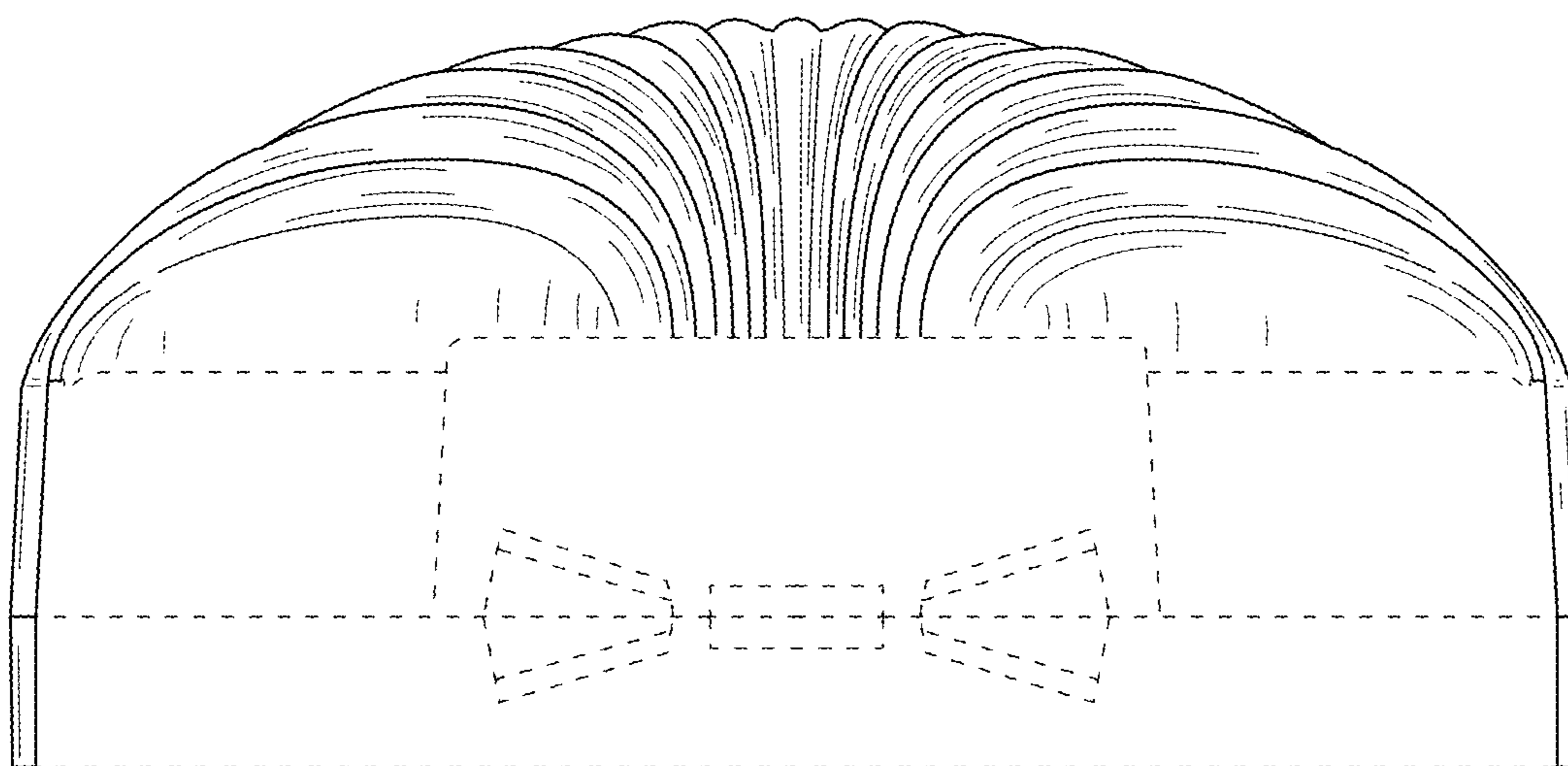


FIG. 15

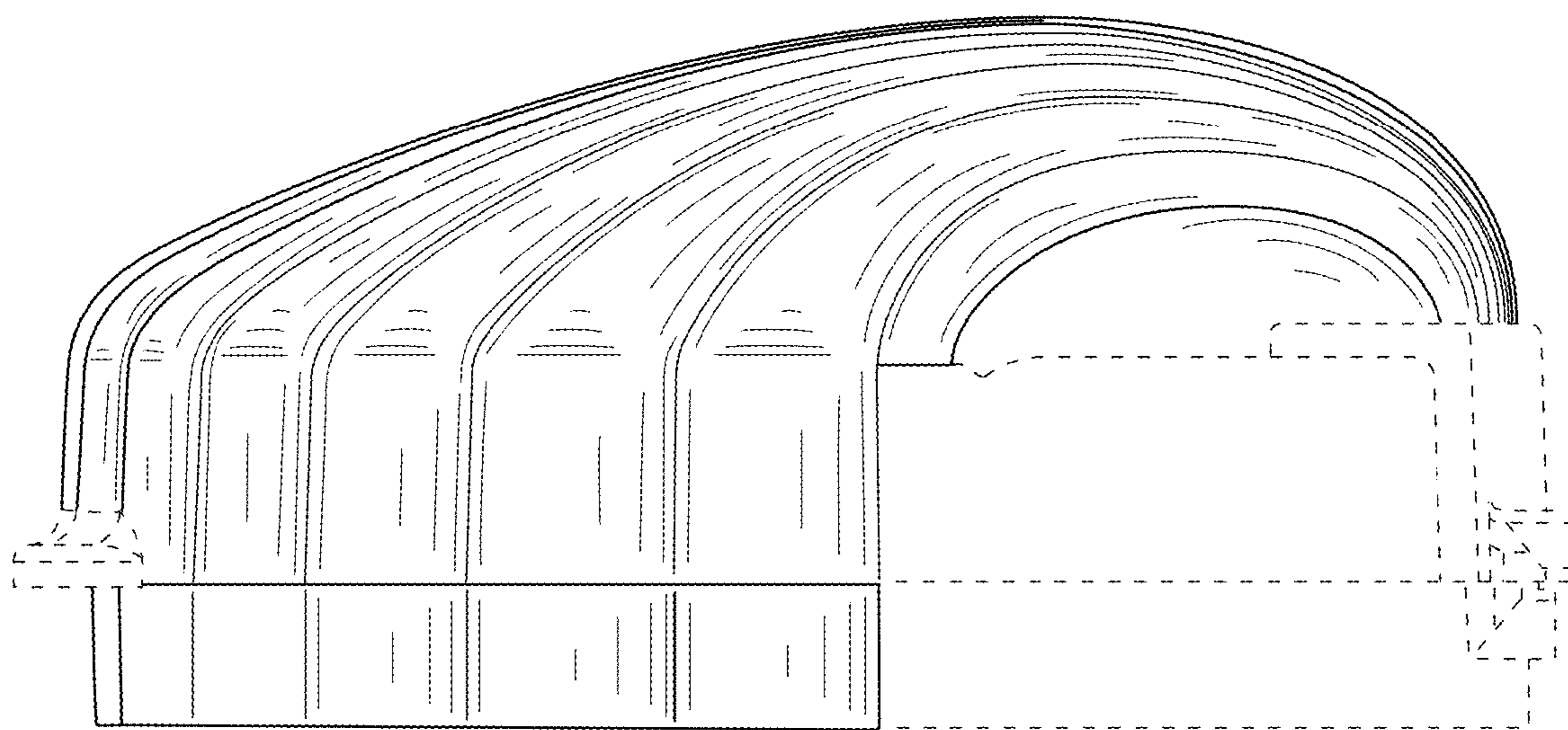


FIG. 16

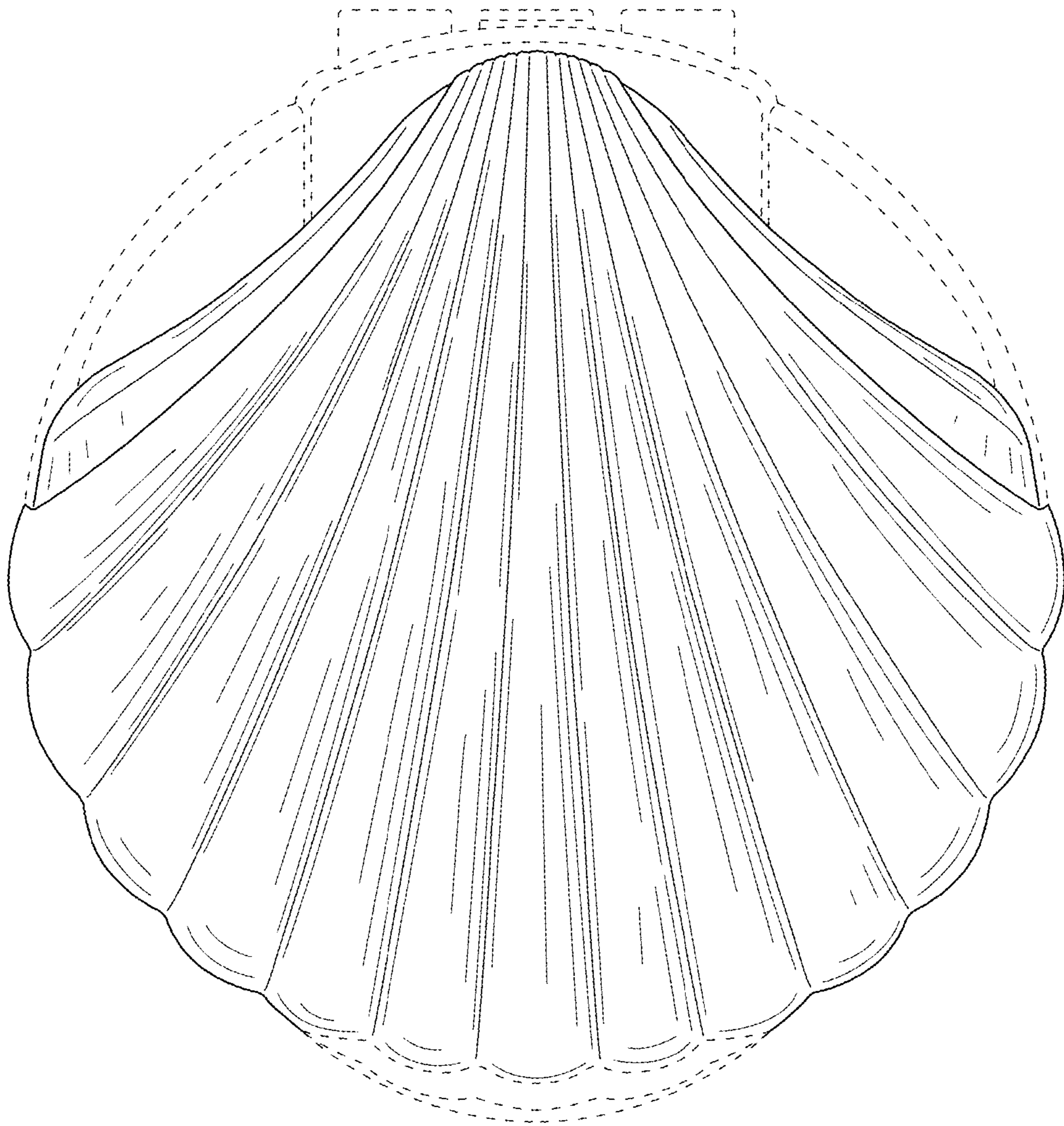


FIG. 17

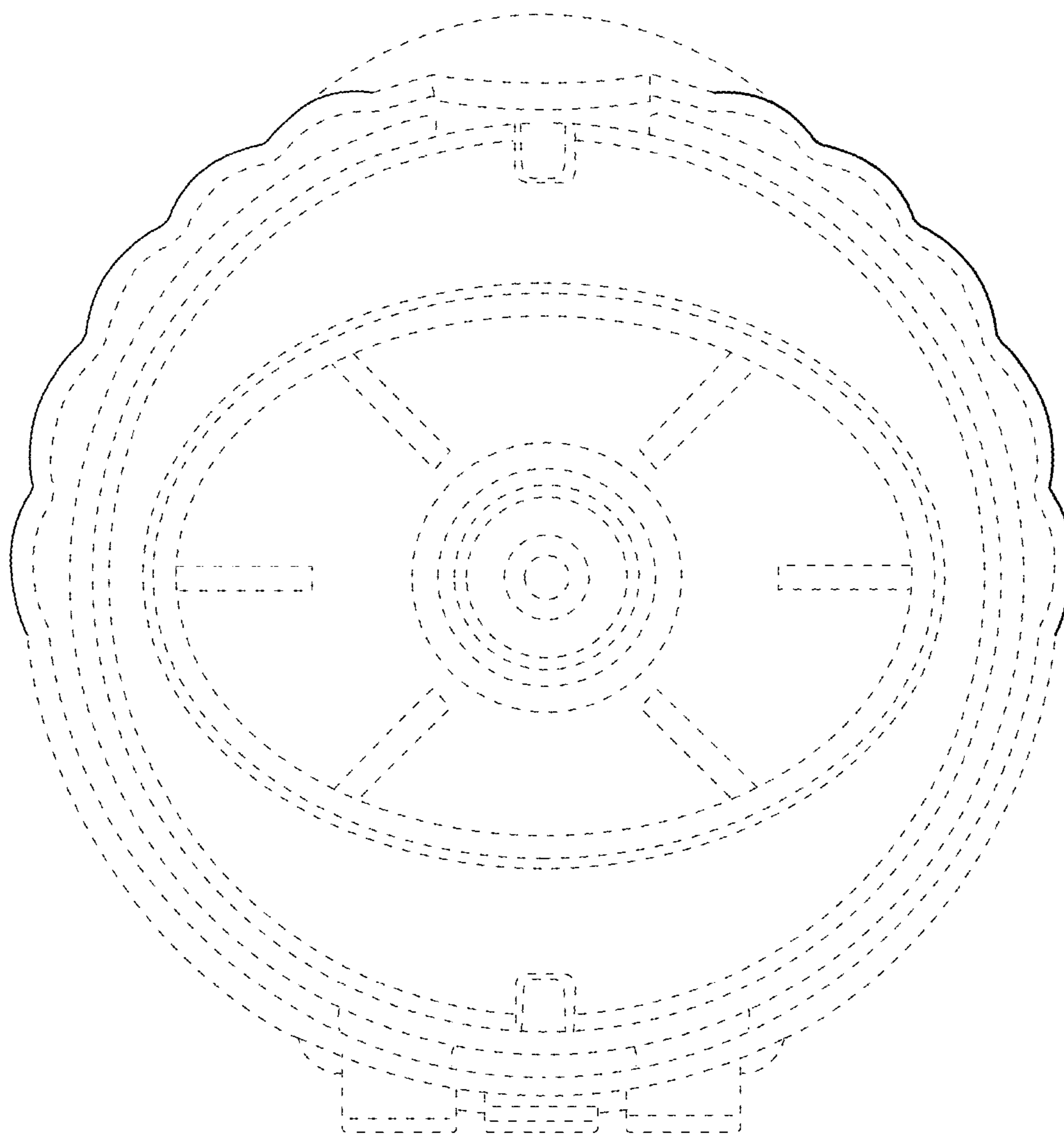


FIG. 18

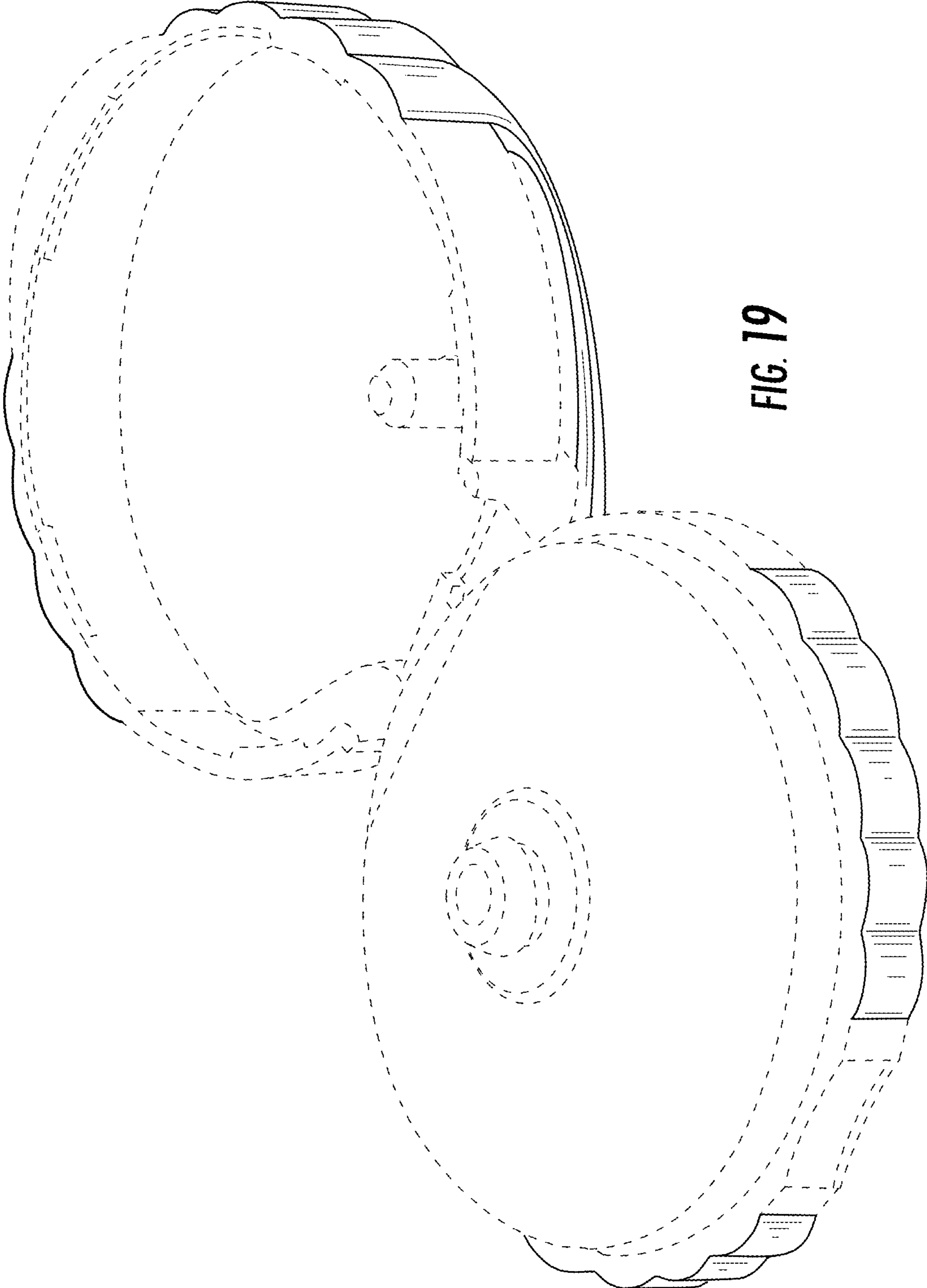


FIG. 19

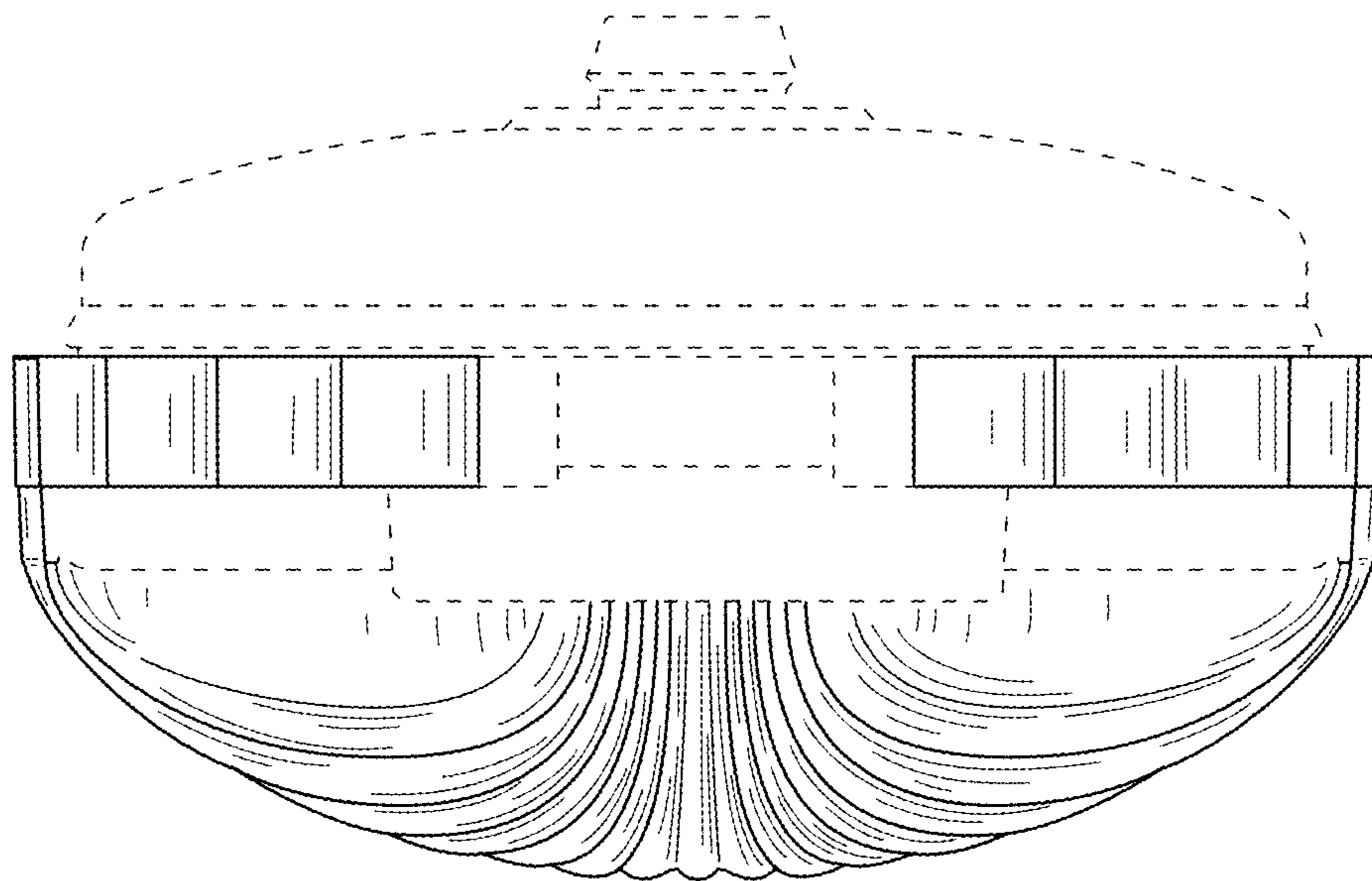


FIG. 20

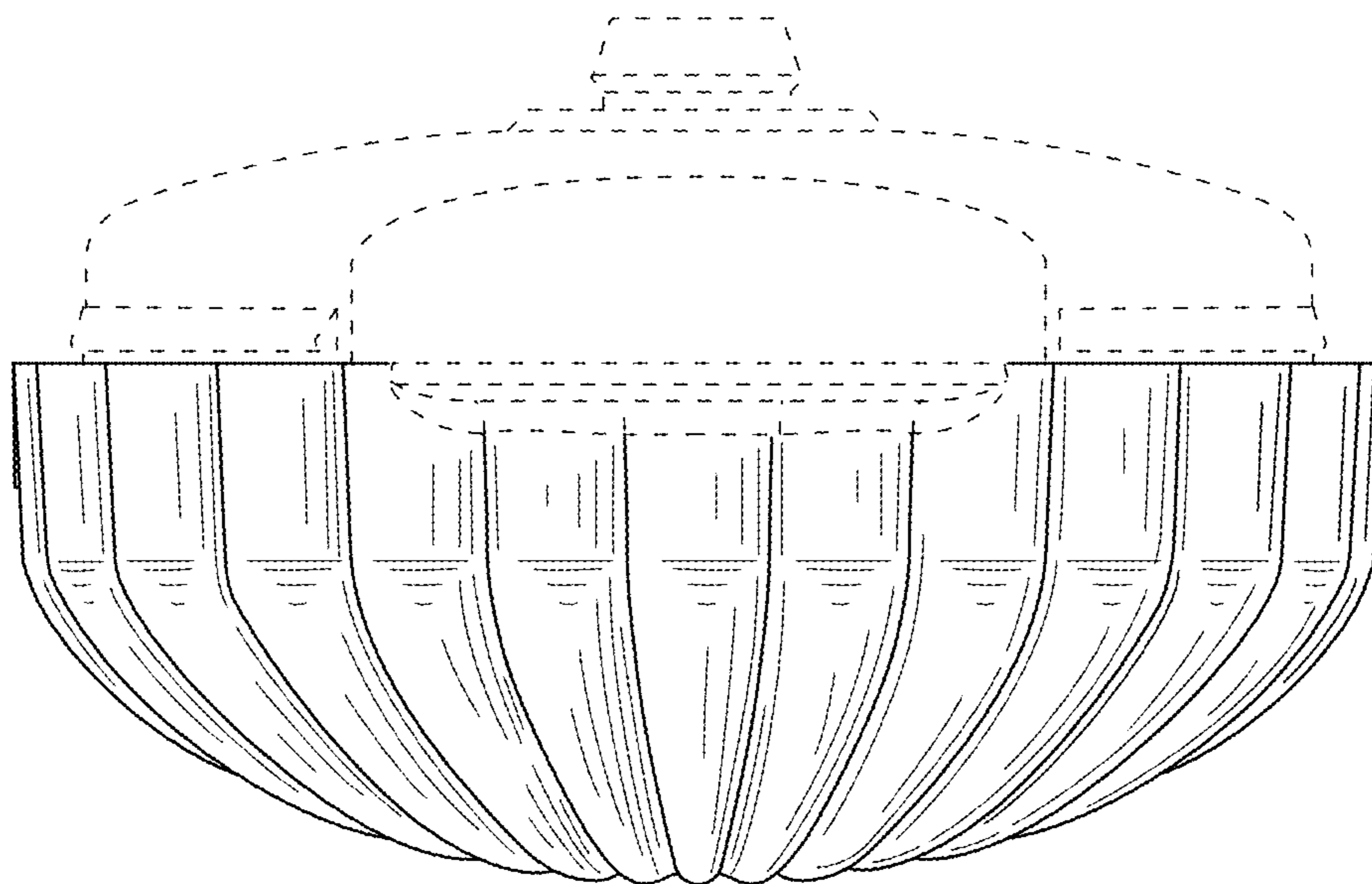


FIG. 21

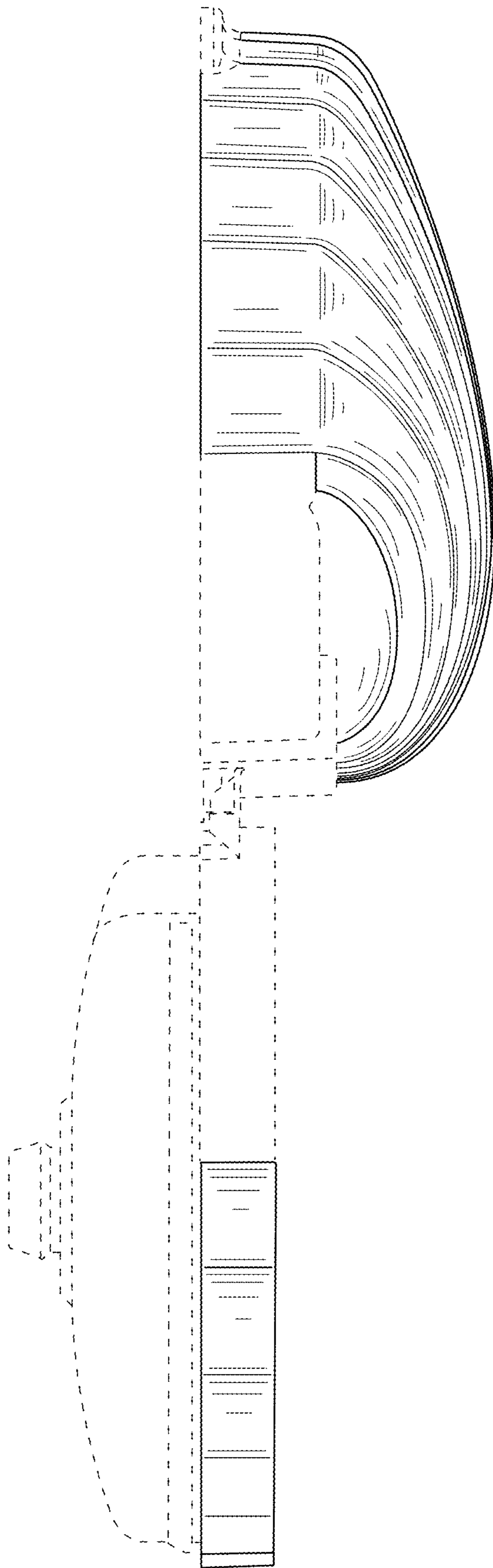


FIG. 22

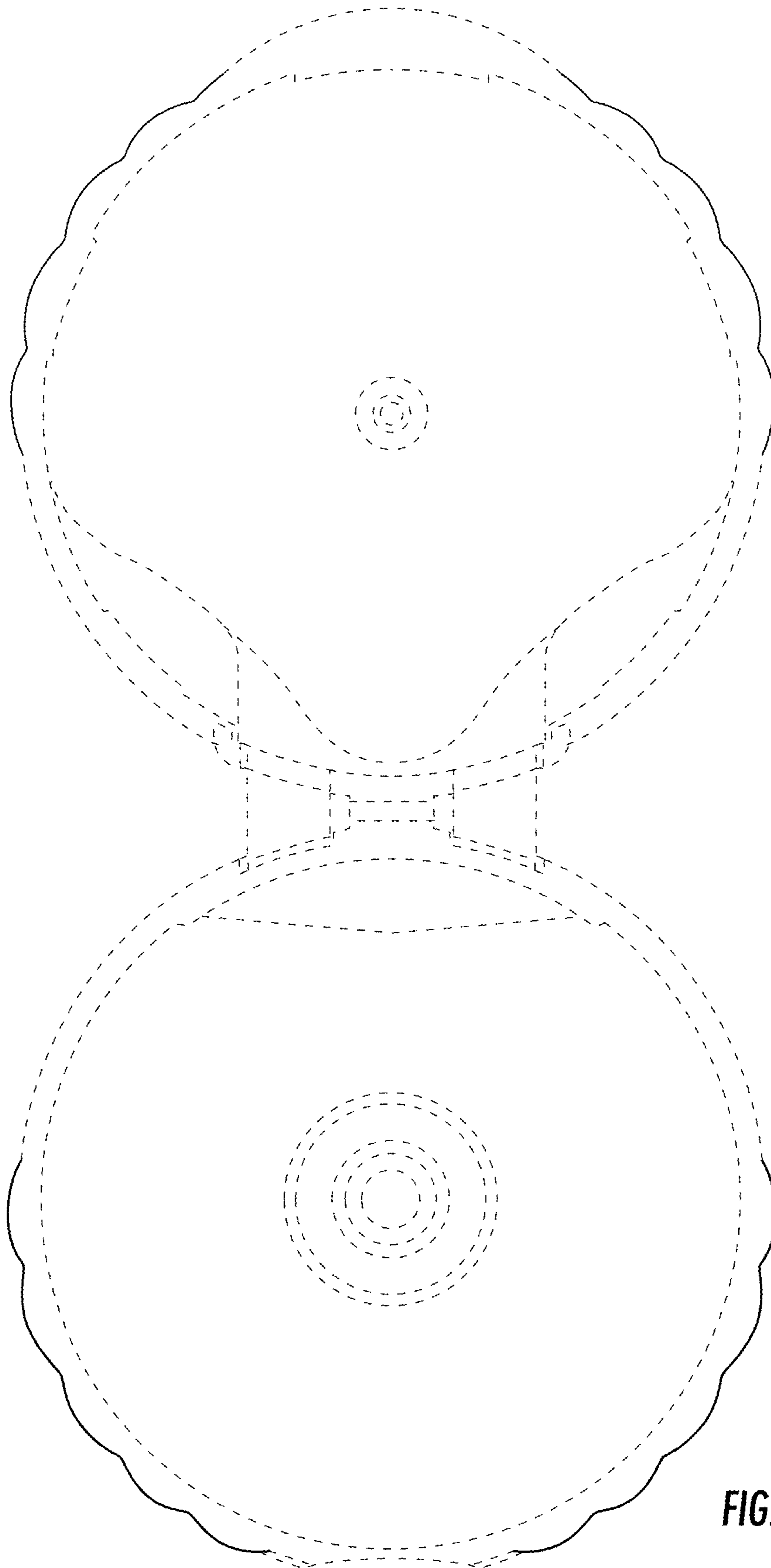


FIG. 23

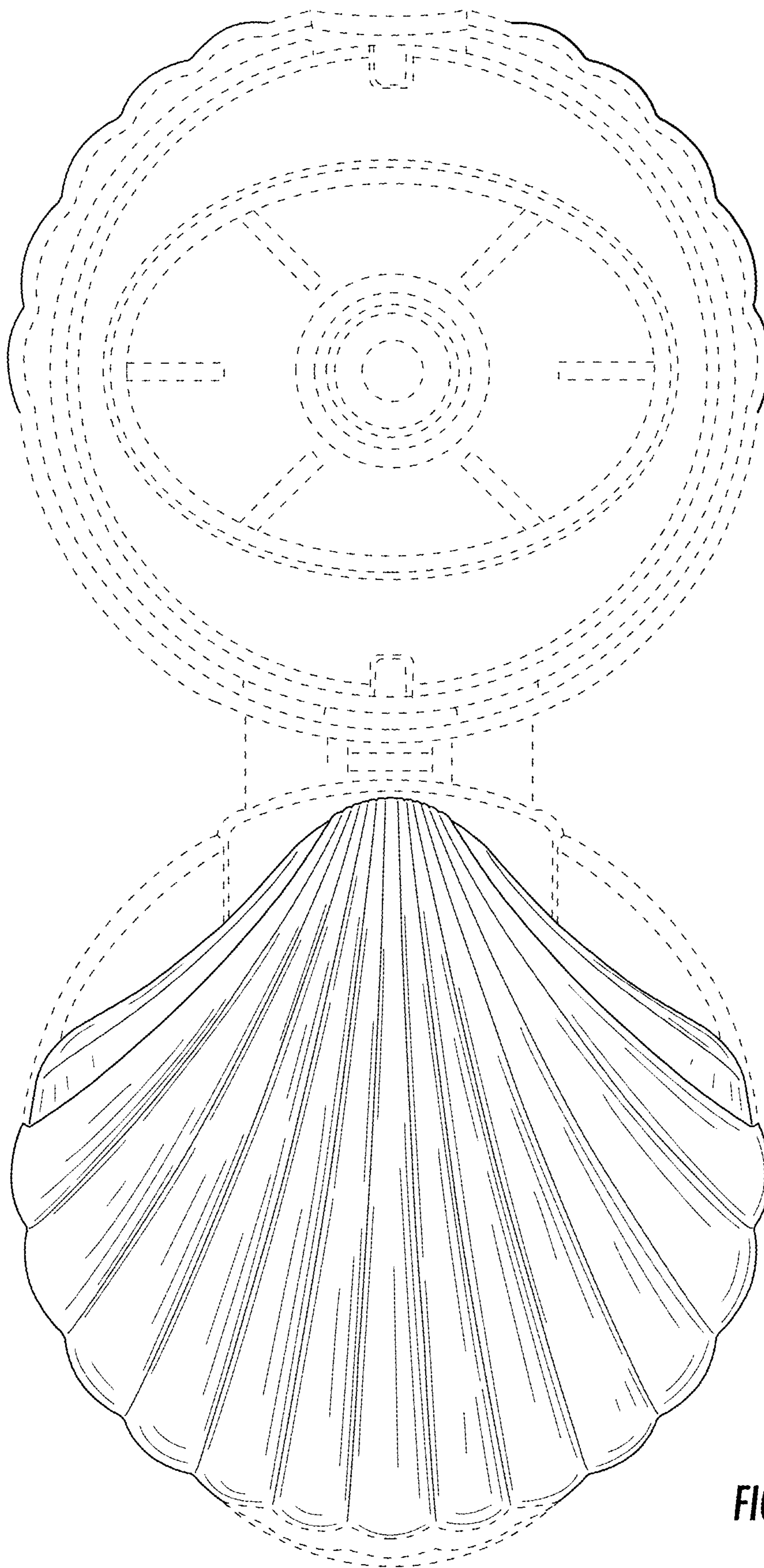


FIG. 24