



US00D772064S

(12) **United States Design Patent** (10) **Patent No.:** **US D772,064 S**  
**Boroski et al.** (45) **Date of Patent:** **\*\* Nov. 22, 2016**

(54) **LID**

(71) Applicants: **Dwayne Boroski**, Lake in the Hills, IL (US); **Marvin Lane**, Wheeling, IL (US)

(72) Inventors: **Dwayne Boroski**, Lake in the Hills, IL (US); **Marvin Lane**, Wheeling, IL (US)

(73) Assignee: **THERMOS L.L.C.**, Schaumburg, IL (US)

8,061,544 B2 \* 11/2011 Frishman ..... B65D 41/12  
 215/255

D660,081 S \* 5/2012 Gilbert ..... D7/396.2

D675,865 S \* 2/2013 Wahl ..... D7/392.1

D678,770 S \* 3/2013 Kawamura ..... D9/452

D686,872 S \* 7/2013 Lane ..... D7/392.1

D702,121 S \* 4/2014 Ghosh ..... D24/231

D703,040 S \* 4/2014 White ..... D9/434

D718,626 S \* 12/2014 Lane ..... D9/449

D720,217 S \* 12/2014 Oates ..... D7/398

D743,255 S \* 11/2015 Niggemyer ..... D9/435

D747,136 S \* 1/2016 Lane ..... D7/396.2

D747,918 S \* 1/2016 Herbst ..... D7/392.1

(\*\*) Term: **14 Years**

\* cited by examiner

(21) Appl. No.: **29/523,271**

*Primary Examiner* — Robert M Spear

*Assistant Examiner* — Darcey E Heflin

(22) Filed: **Apr. 8, 2015**

(74) *Attorney, Agent, or Firm* — Polsinelli PC

(51) **LOC (10) Cl.** ..... **09-07**

(57) **CLAIM**

(52) **U.S. Cl.**

The ornamental design for a lid, as shown and described.

USPC ..... **D9/436**

**DESCRIPTION**

(58) **Field of Classification Search**

USPC ..... D7/392.1; D9/434–436, 438, 440,  
D9/443–445, 447, 452, 454, 499; 215/255,  
215/304

CPC ..... B65D 2101/0038

See application file for complete search history.

FIG. 1 is a perspective view of the lid;

FIG. 2 is a front view of the lid;

FIG. 3 is a rear view of the lid;

FIG. 4 is a right side view of the lid;

FIG. 5 is a left side view of the lid;

FIG. 6 is a top view of the lid; and,

FIG. 7 is a bottom view of the lid.

The broken lines showing in the figures are included for the purpose of illustrating portions of the lid that form no part of the claimed design. The dash-dot lines showing in the figures are included for defining the bounds of the claimed design and form no part thereof.

(56) **References Cited**

**U.S. PATENT DOCUMENTS**

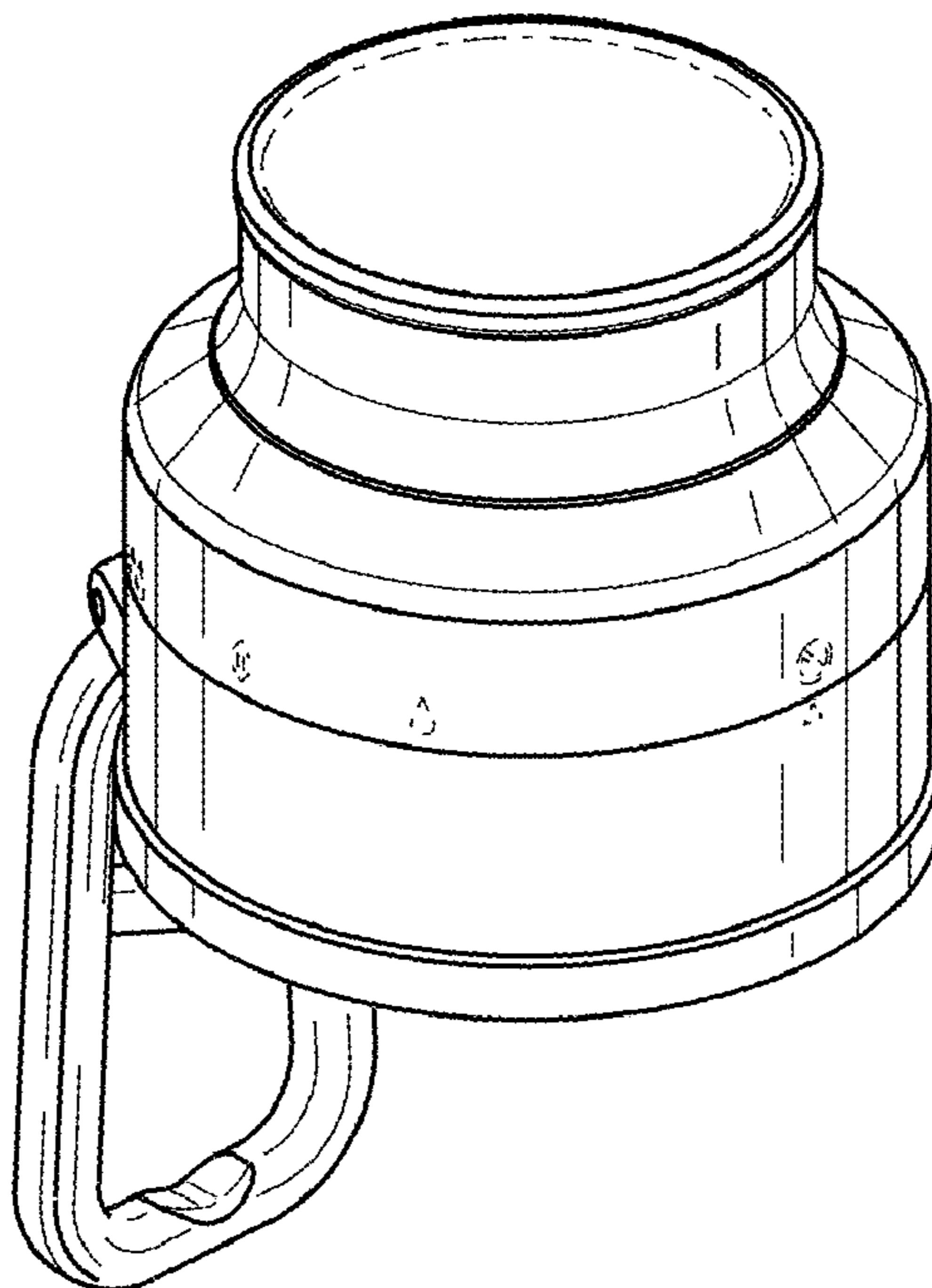
D218,961 S \* 10/1970 Kennedy ..... D9/438

4,768,667 A \* 9/1988 Magnusson ..... B65D 41/40  
215/255

D308,828 S \* 6/1990 Magnusson ..... D9/438

D600,973 S \* 9/2009 Lane ..... D7/387

**1 Claim, 4 Drawing Sheets**



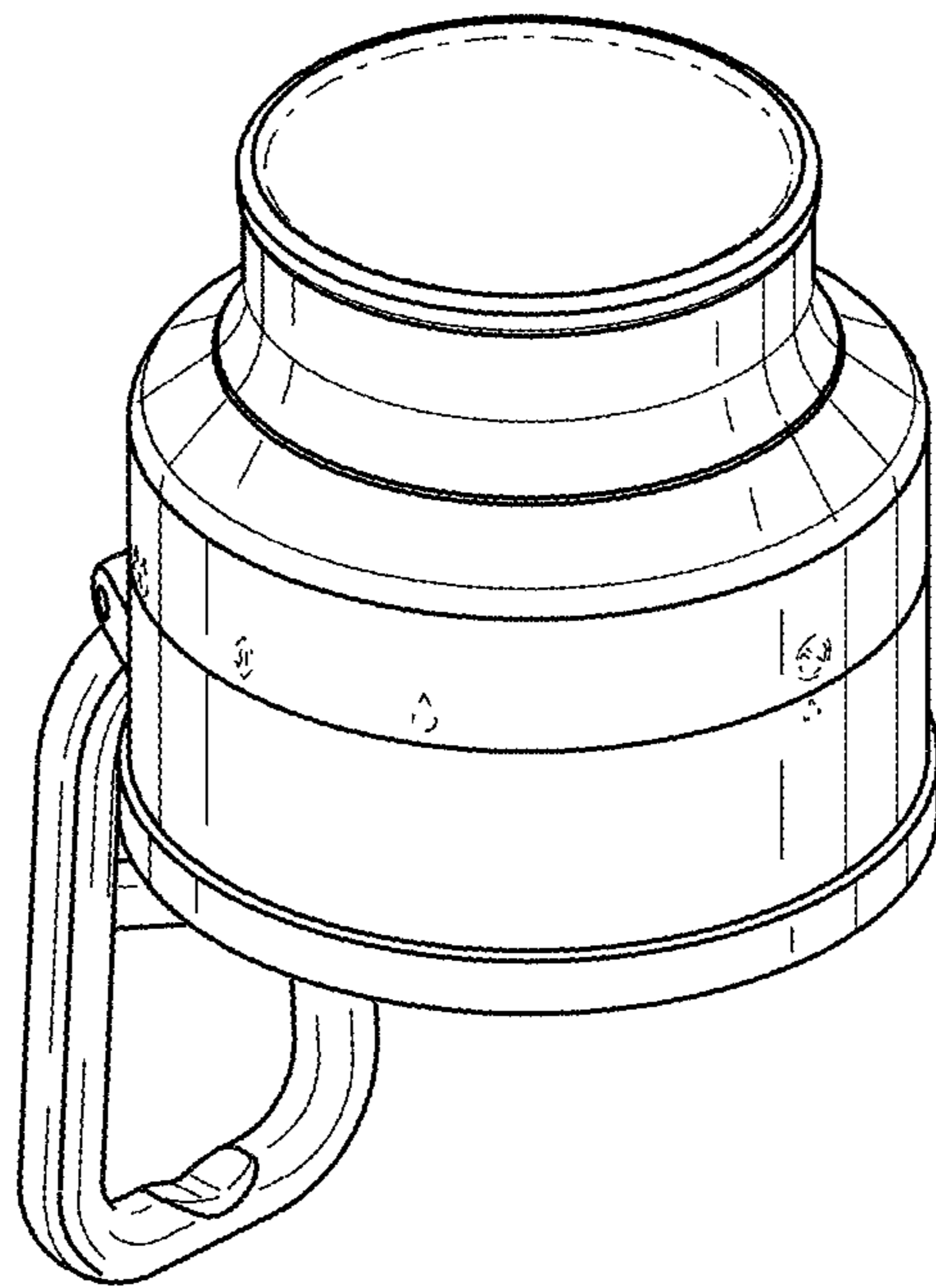


FIG. 1

FIG. 2

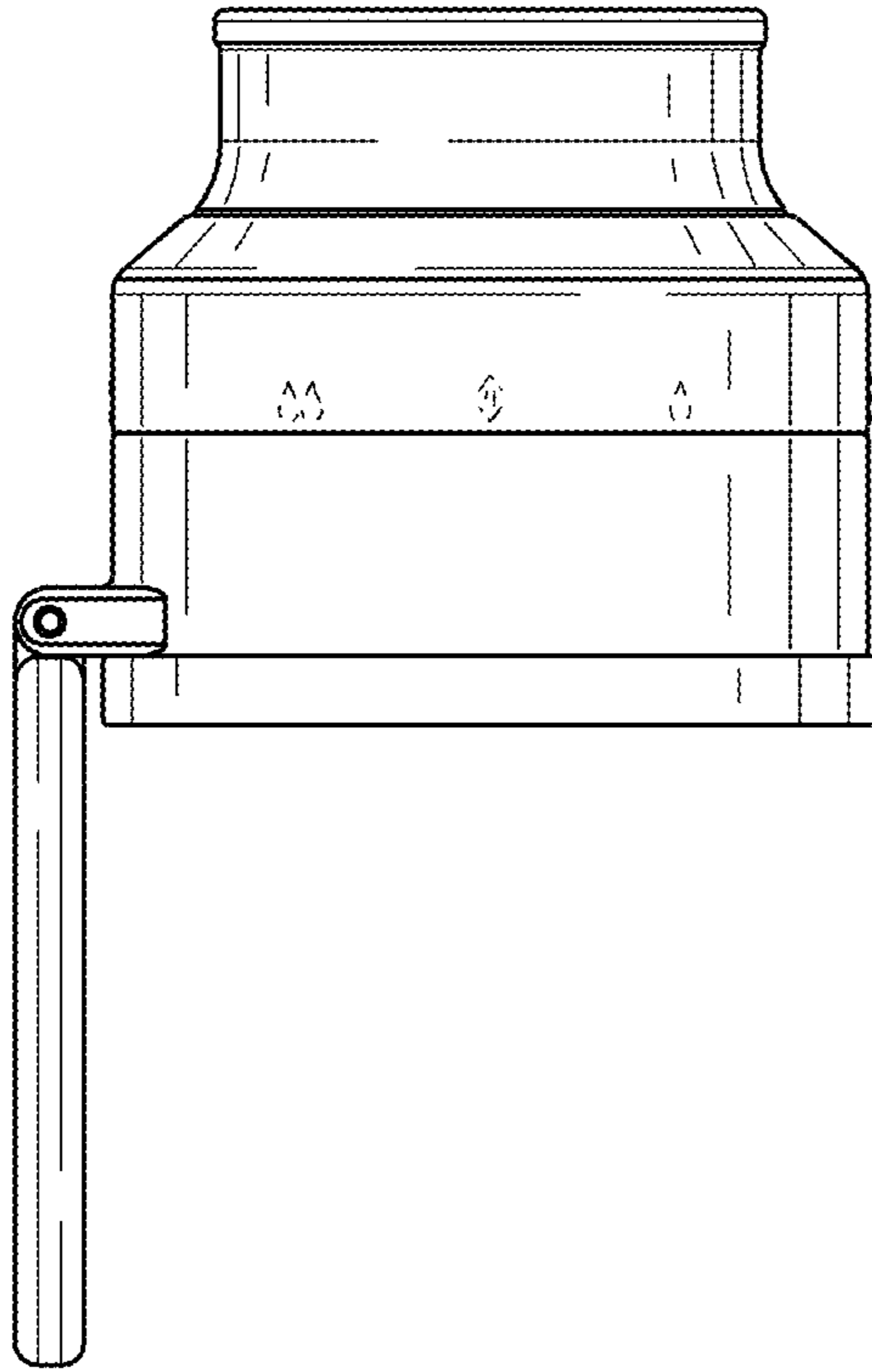


FIG. 3

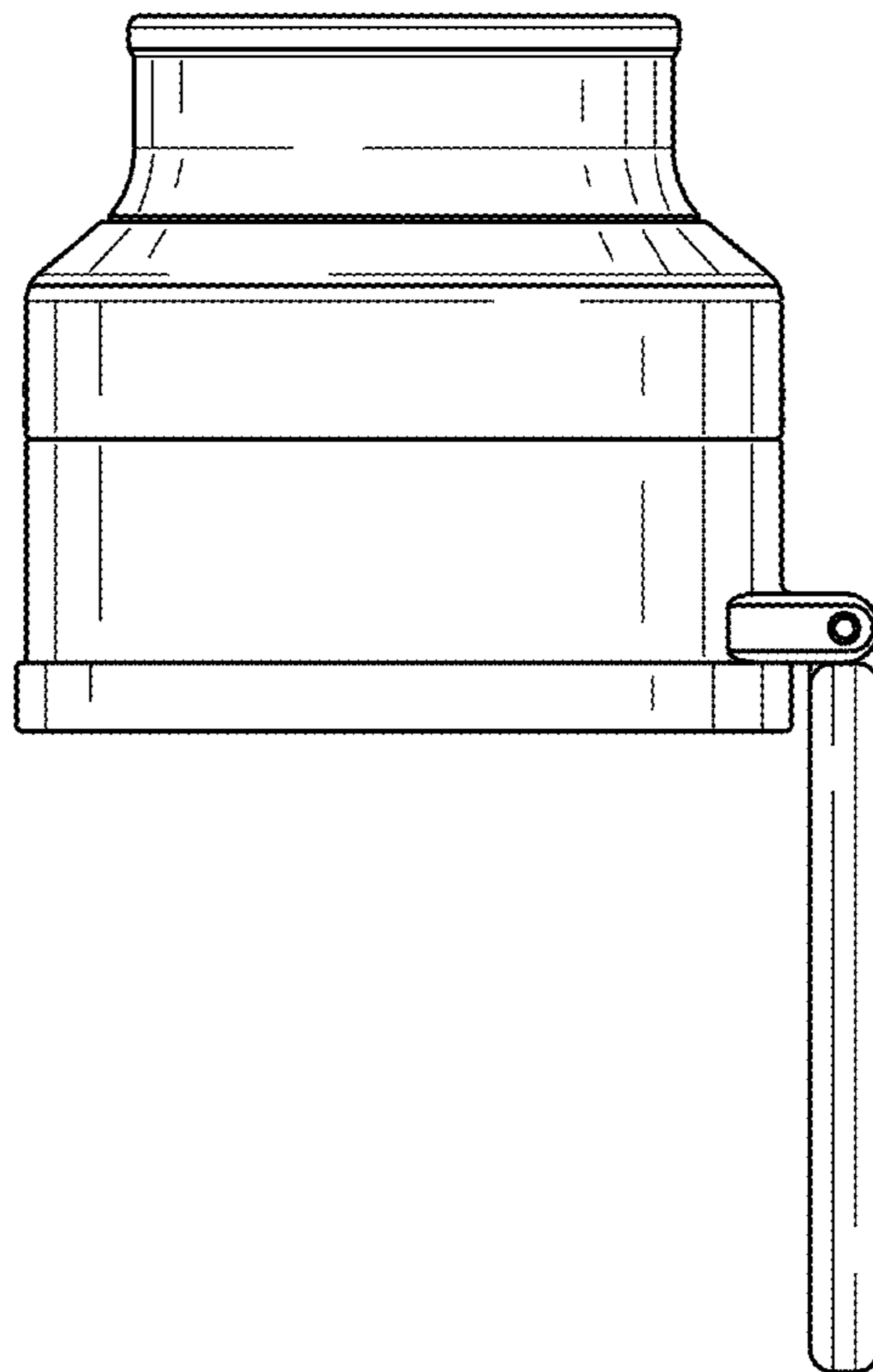


FIG. 4

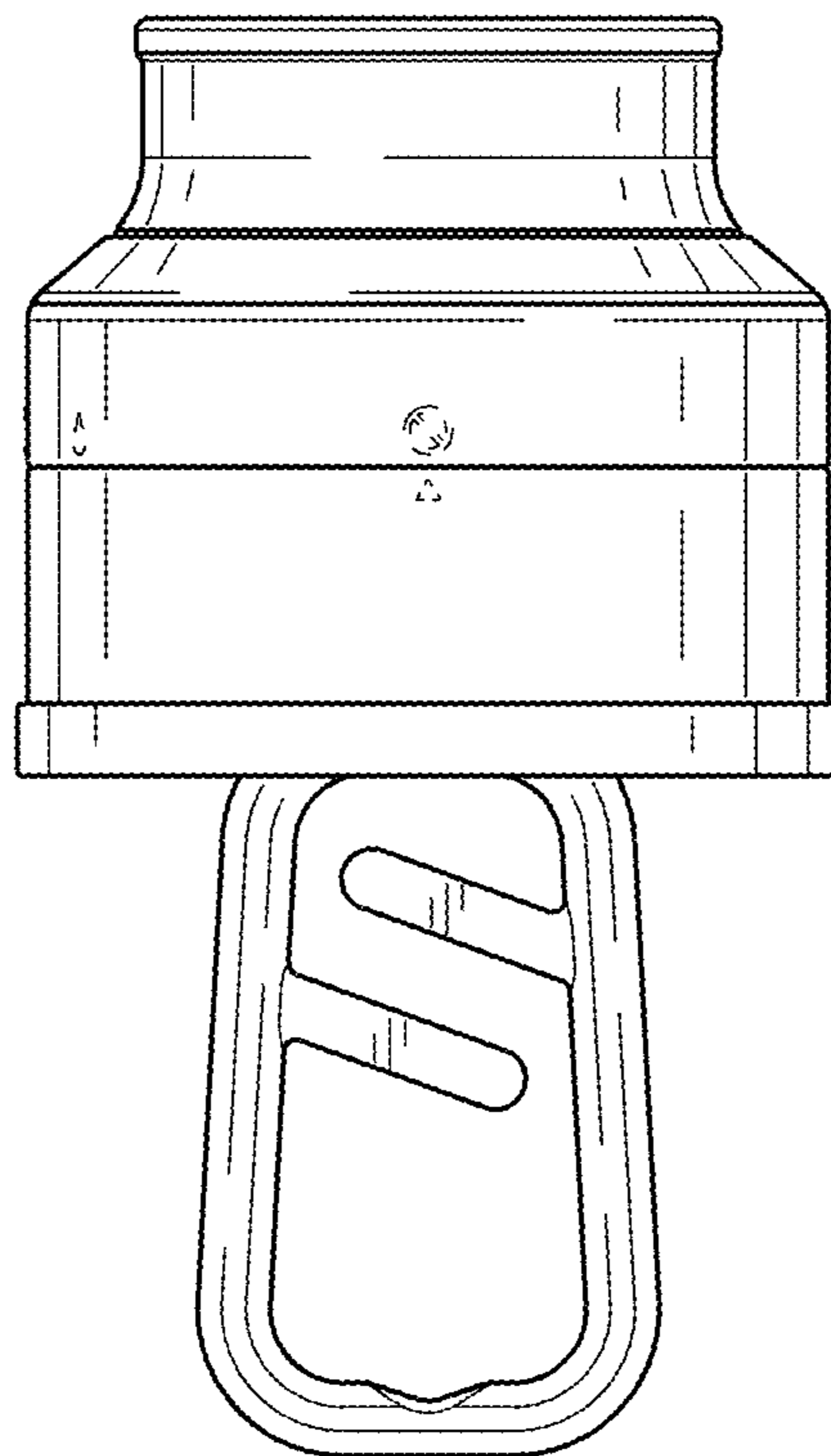
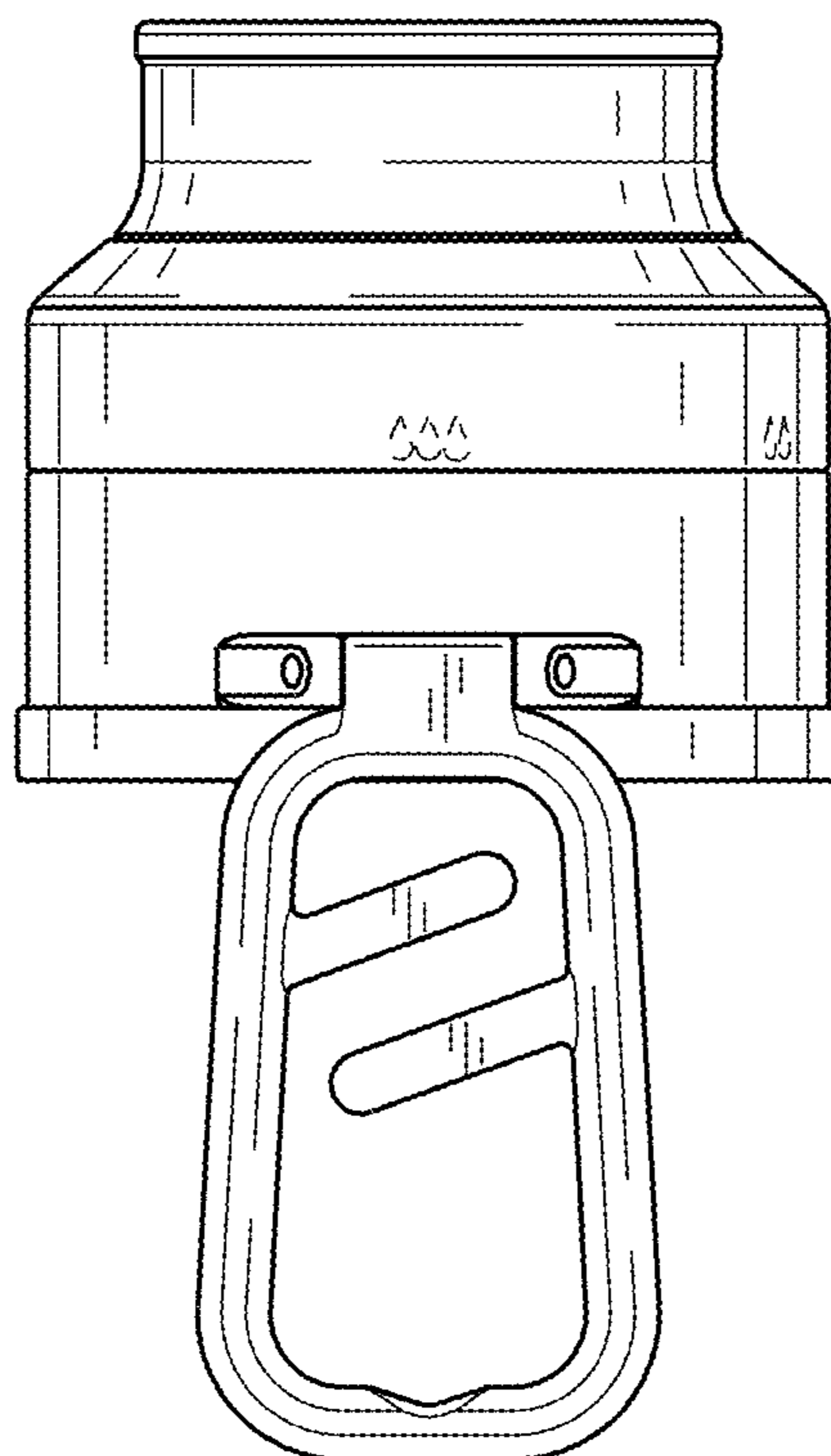


FIG. 5



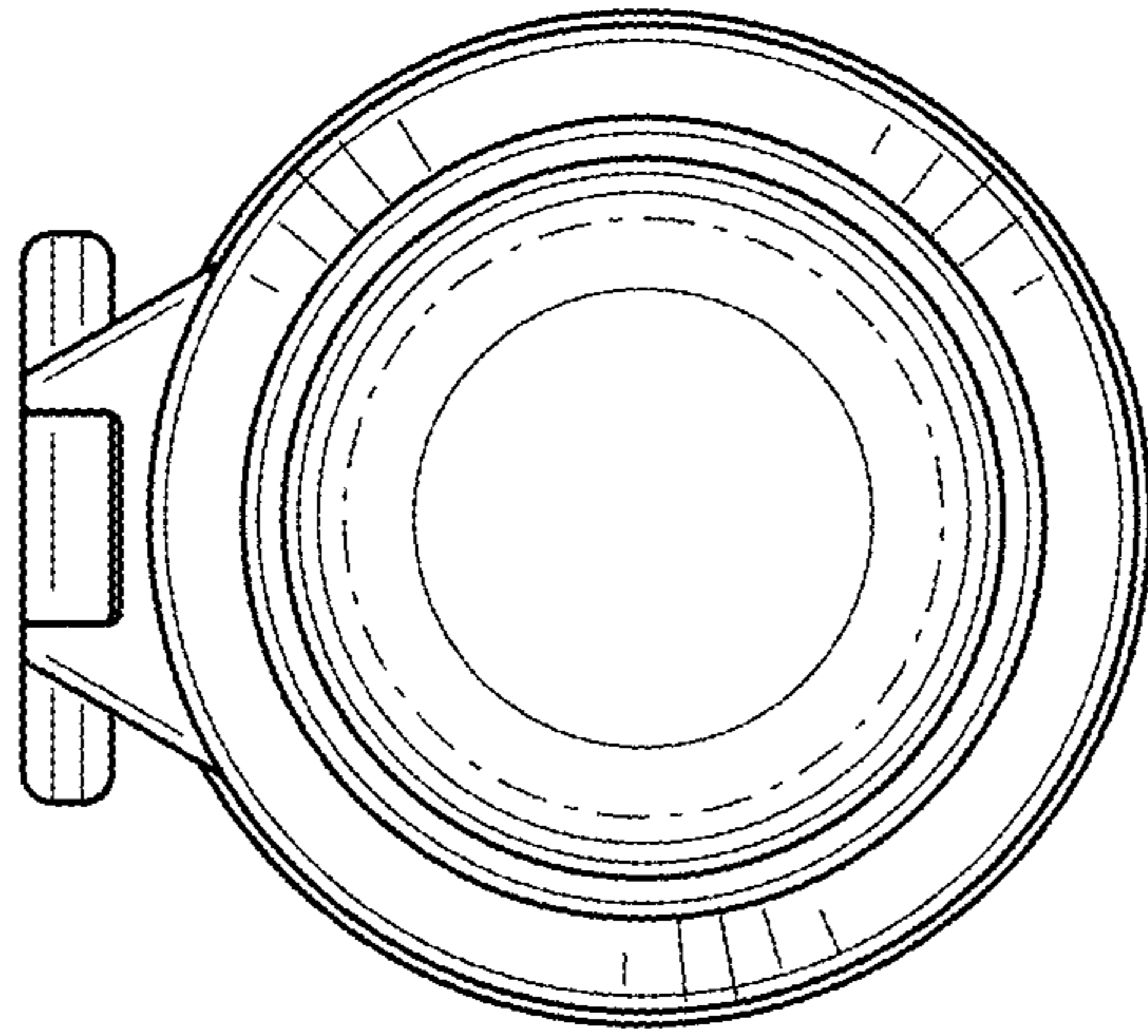


FIG. 6

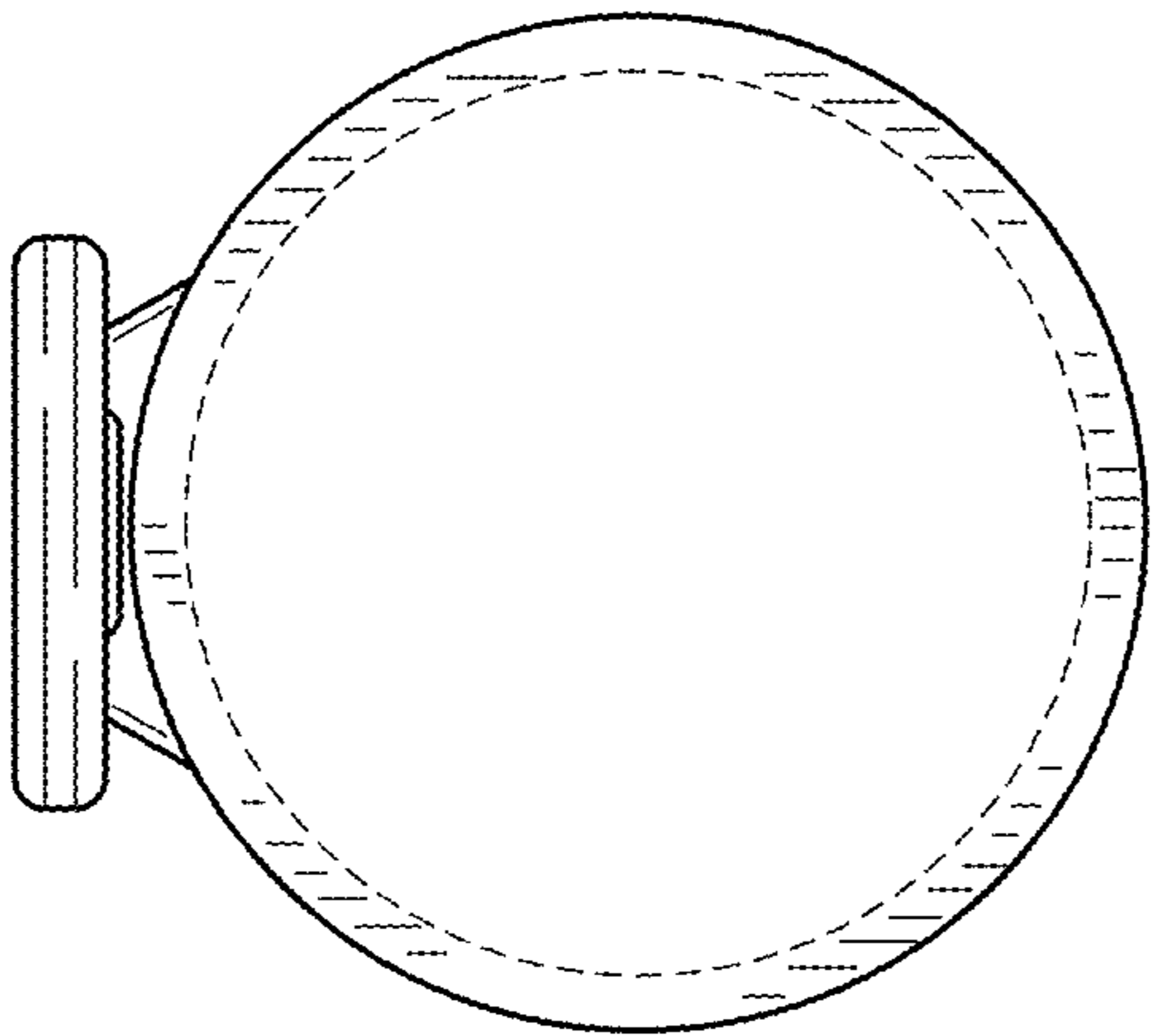


FIG. 7