



US00D772063S

(12) **United States Design Patent** (10) **Patent No.:** **US D772,063 S**  
**Thompson et al.** (45) **Date of Patent:** **\*\* Nov. 22, 2016**

(54) **HAIR COLOR PACKAGE WITH SURFACE ORNAMENTATION**

(71) Applicant: **The Procter & Gamble Company**, Cincinnati, OH (US)

(72) Inventors: **Ewan J. Thompson**, Cincinnati, OH (US); **Susan Neal Walker**, West Chester, OH (US); **Jenna Brittany Setchell**, Cincinnati, OH (US); **Allyn M. McEwan**, Terrance Park, OH (US)

(73) Assignee: **The Procter & Gamble Company**, Cincinnati, OH (US)

(\*\*) Term: **14 Years**

(21) Appl. No.: **29/506,584**

(22) Filed: **Oct. 17, 2014**

**Related U.S. Application Data**

(62) Division of application No. 29/470,376, filed on Oct. 21, 2013, now Pat. No. Des. 718,124.

(51) **LOC (10) Cl.** ..... **09-03**

(52) **U.S. Cl.**  
USPC ..... **D9/434**

(58) **Field of Classification Search**  
USPC ..... D9/430-434, 414-415, 417, 418, D9/420-427, 621, 622, 732; D3/272, 273, D3/302, 304-309, 315; D7/601, 602, 609, D7/619.1, 630  
CPC ..... B65D 5/00; B65D 5/0209; B65D 5/029; B65D 5/40; B65D 5/72; B65D 5/727  
See application file for complete search history.

(56) **References Cited**

**U.S. PATENT DOCUMENTS**

D79,888 S \* 11/1929 MacMillan ..... D9/432  
D155,389 S \* 10/1949 Cohen ..... D9/621

D216,871 S 3/1970 Leis  
D364,346 S \* 11/1995 Yamada ..... D9/432  
D366,415 S 1/1996 Nagasaka  
D391,481 S 3/1998 Oxley  
D396,806 S 8/1998 Burke  
D419,443 S 1/2000 Yonehara  
D553,984 S 10/2007 Berger  
D618,544 S 6/2010 Collins  
D621,701 S \* 8/2010 Kusumi ..... D9/623  
D637,486 S 5/2011 Andrew  
D650,659 S \* 12/2011 Tucker ..... D9/423

(Continued)

*Primary Examiner* — Vy Koenig

(74) *Attorney, Agent, or Firm* — James T. Fondriest

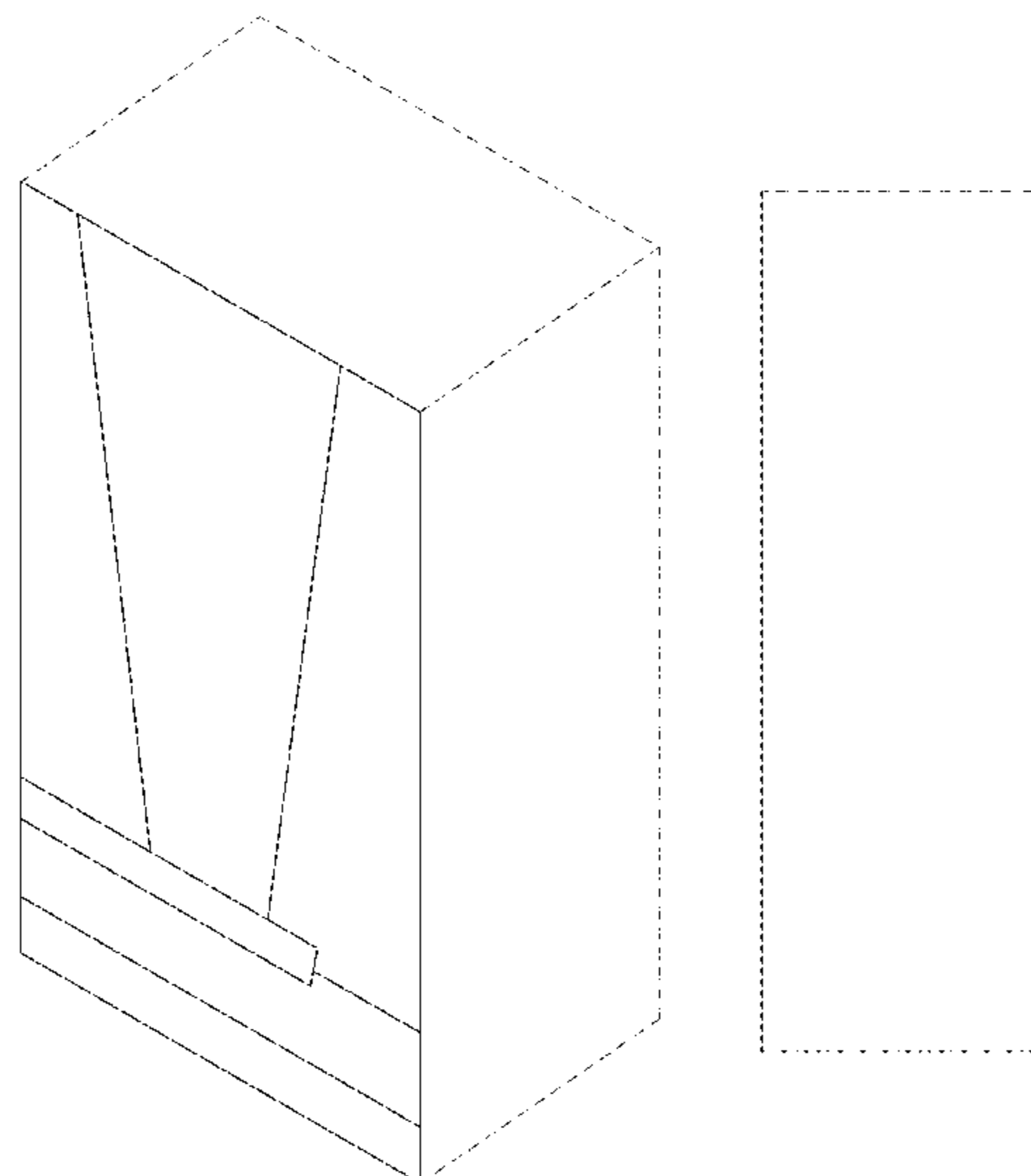
(57) **CLAIM**

The ornamental design for a hair color package with surface ornamentation, as shown and described.

**DESCRIPTION**

FIG. 1 is a perspective view of a hair color package with surface ornamentation embodying our new design; FIG. 2 is a top view thereof; FIG. 3 is a front view thereof; FIG. 4 is right side view thereof; FIG. 5 is a bottom view thereof; FIG. 6 is a rear view thereof; FIG. 7 is a left side view thereof; FIG. 8 is a perspective view of a second embodiment of a hair color package with surface ornamentation embodying our new design; FIG. 9 is a top view thereof; FIG. 10 is a front view thereof; FIG. 11 is right side view thereof; FIG. 12 is a bottom view thereof; FIG. 13 is a rear view thereof; and, FIG. 14 is a left side view thereof. Broken lines in the drawings illustrate portions of the hair color package with surface ornamentation that form no part of the claimed design.

**1 Claim, 6 Drawing Sheets**



# US D772,063 S

Page 2

---

(56)

## References Cited

### U.S. PATENT DOCUMENTS

D656,826 S 4/2012 Bohache

D665,257 S 8/2012 Slayton

D684,467 S \* 6/2013 Macaulay ..... D9/432

D710,687 S \* 8/2014 Katopo ..... D9/432

D715,140 S \* 10/2014 Markle ..... D9/434

D718,124 S \* 11/2014 Thompson ..... D9/432

D740,651 S \* 10/2015 Uribe ..... D9/414

\* cited by examiner

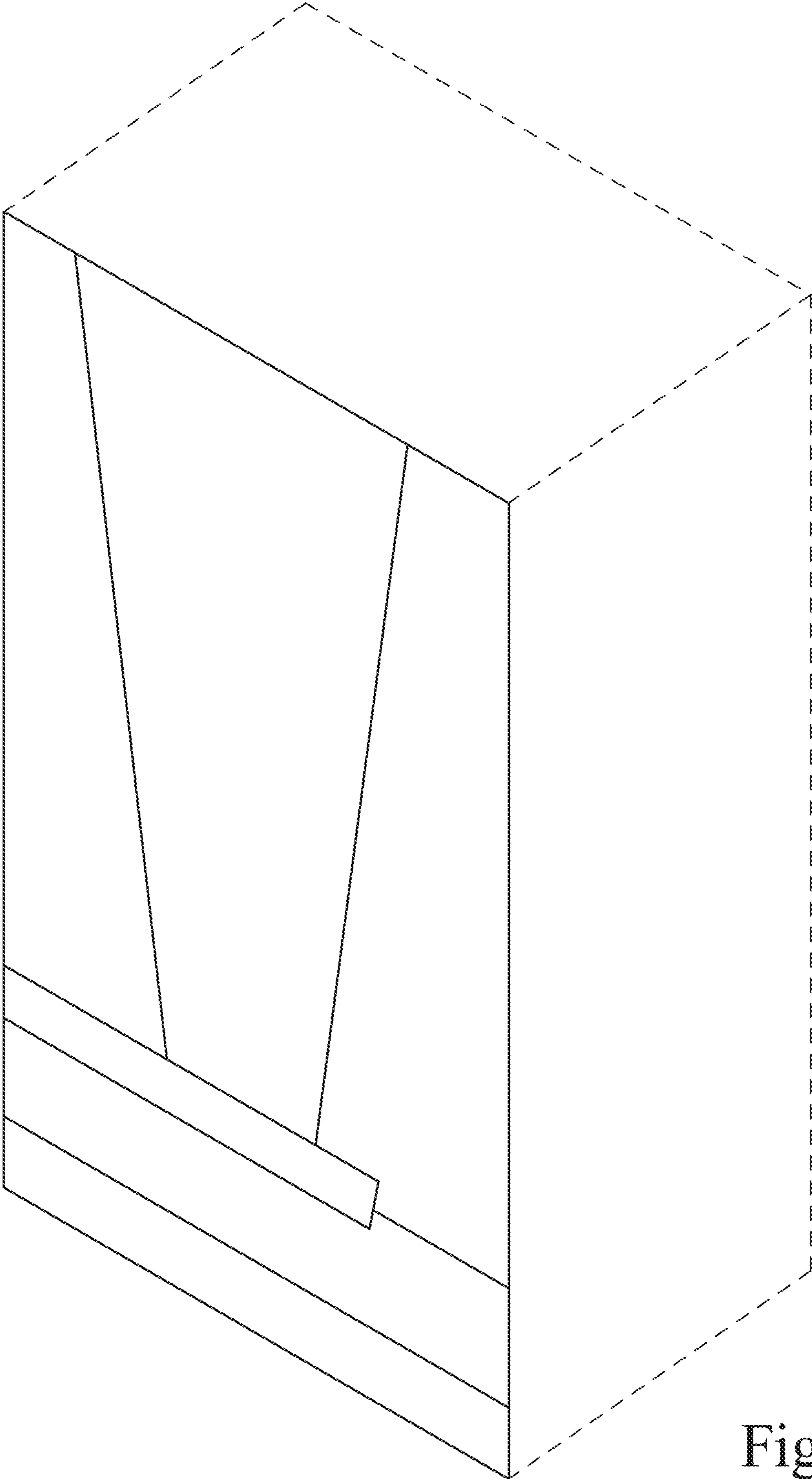


Fig. 1



Fig. 2

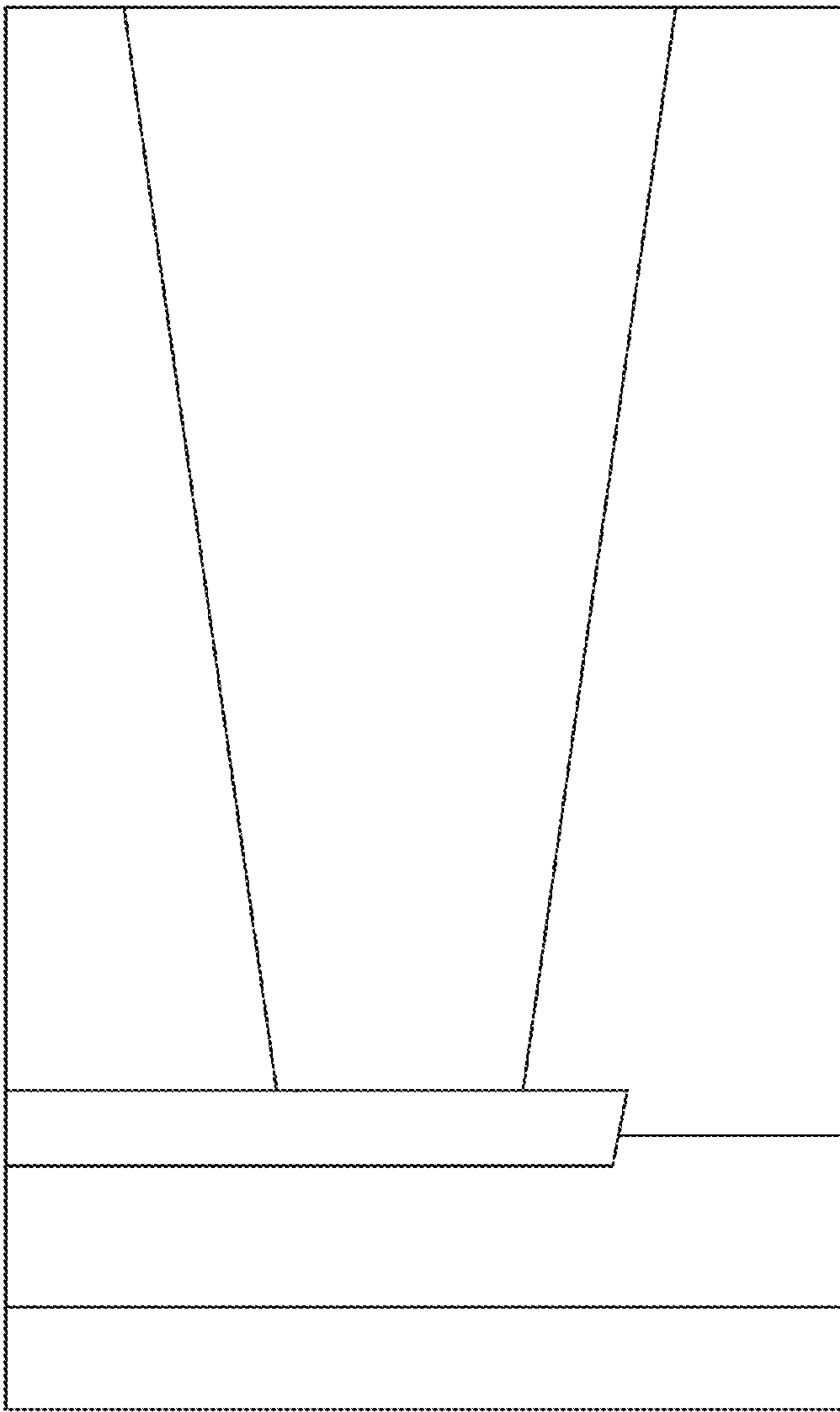


Fig. 3



Fig. 4



Fig. 5

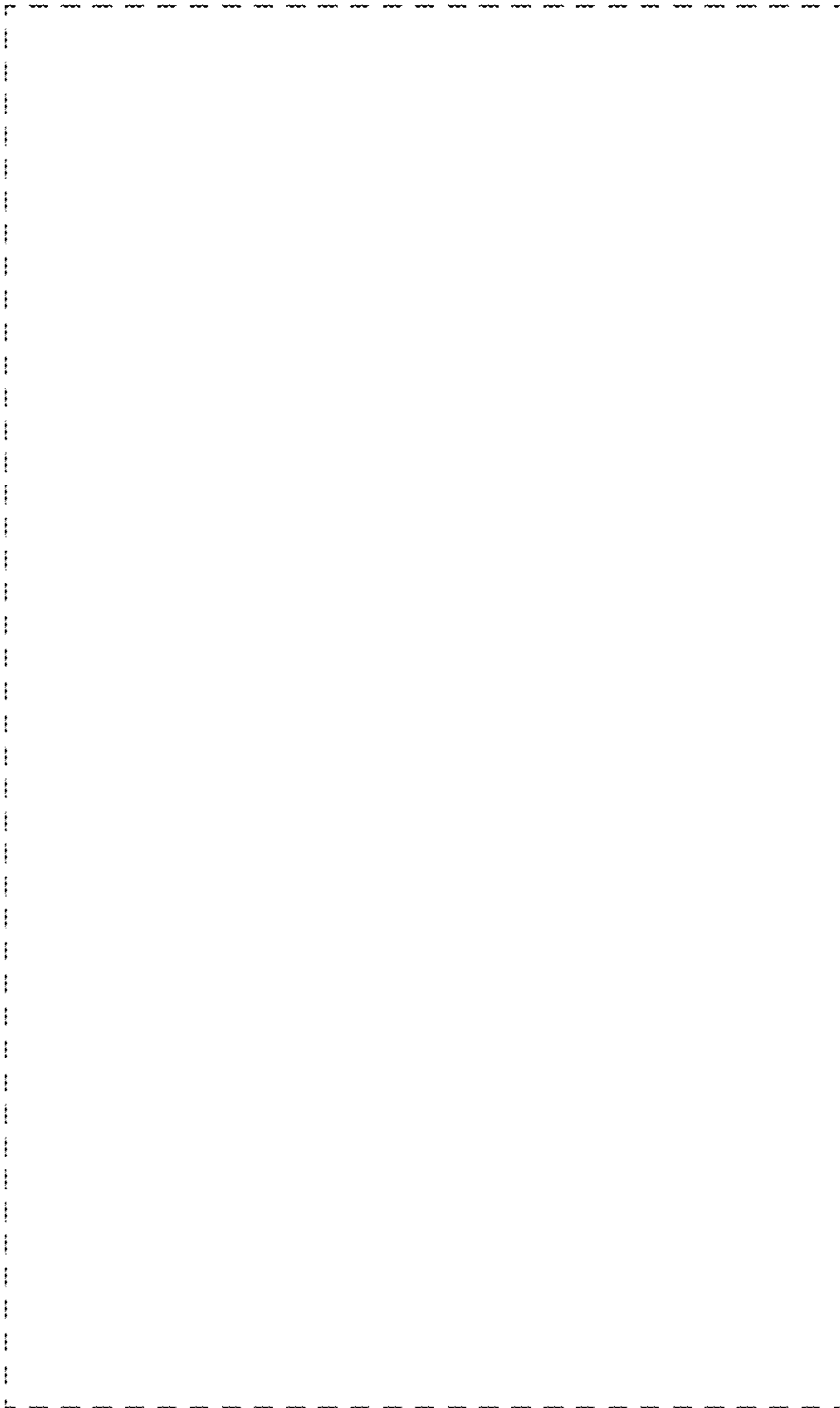


Fig. 6



Fig. 7

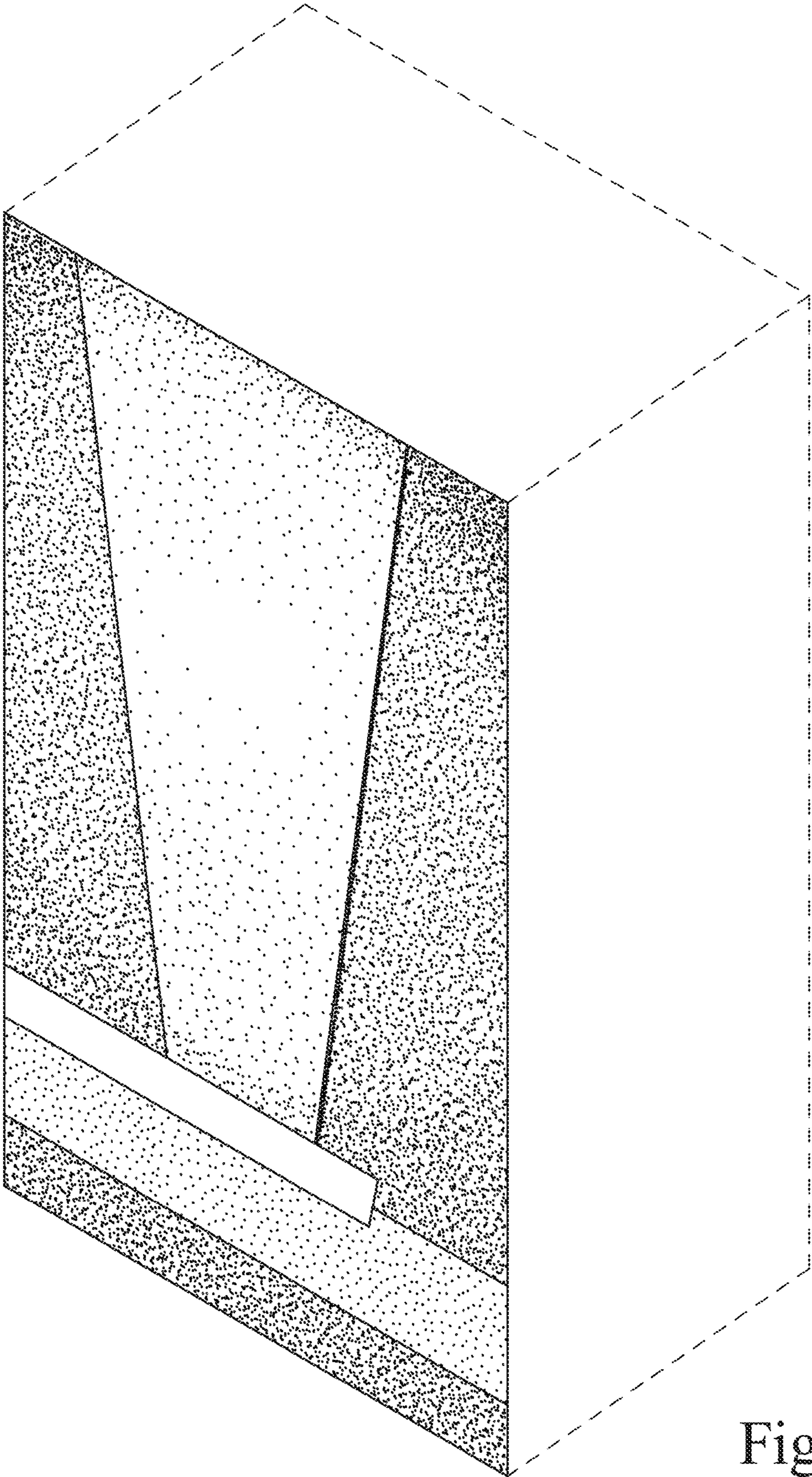


Fig. 8

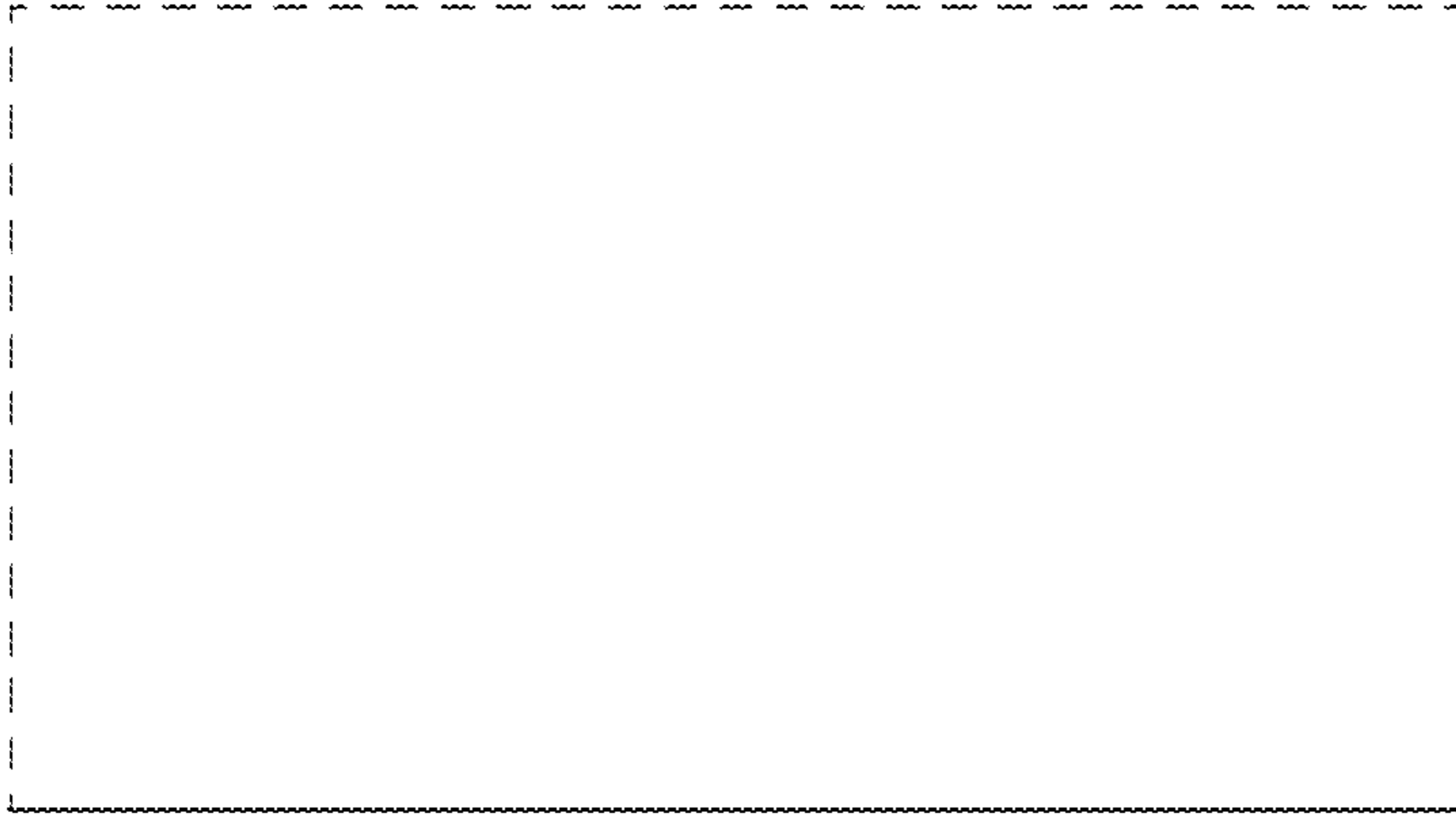


Fig. 9

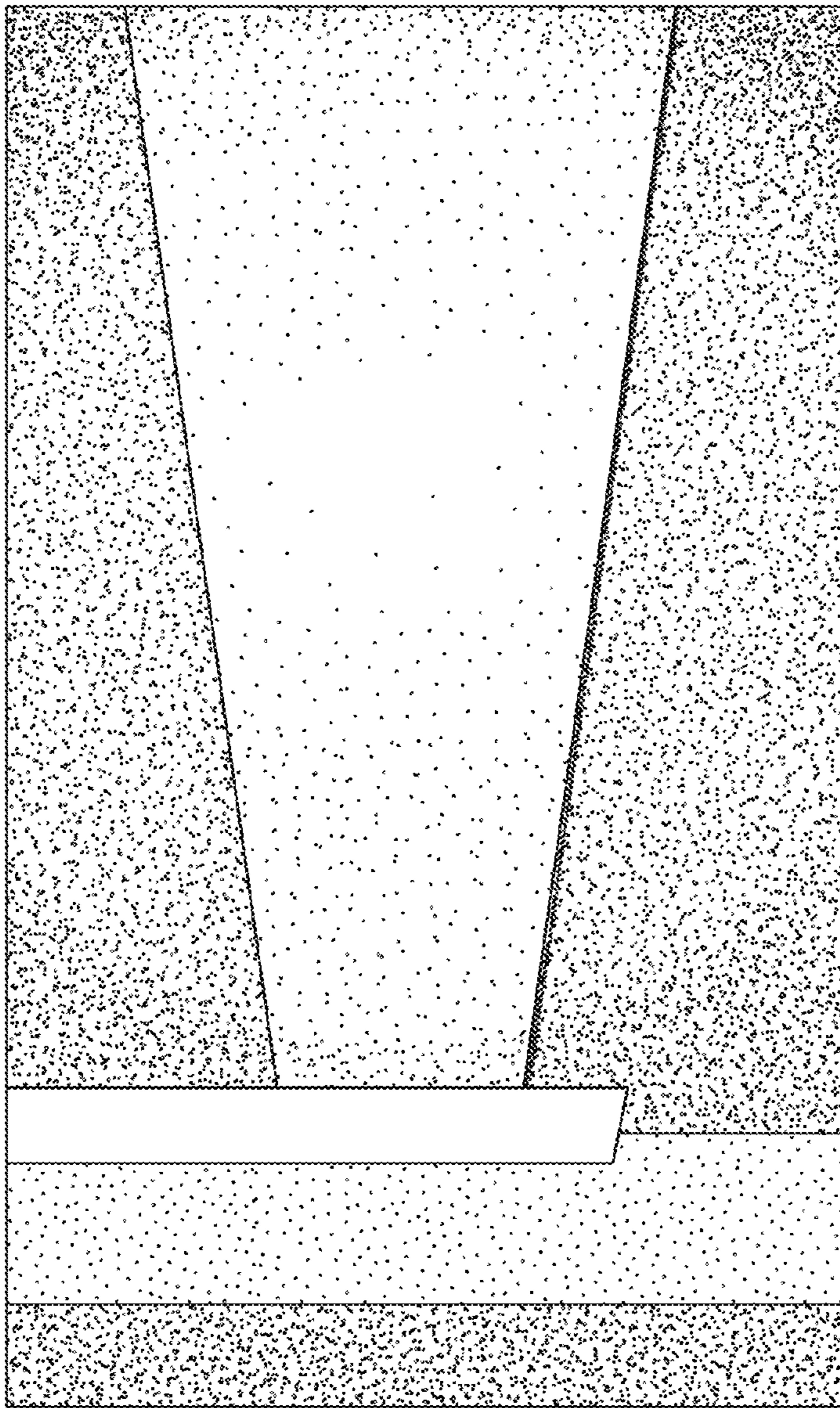


Fig. 10

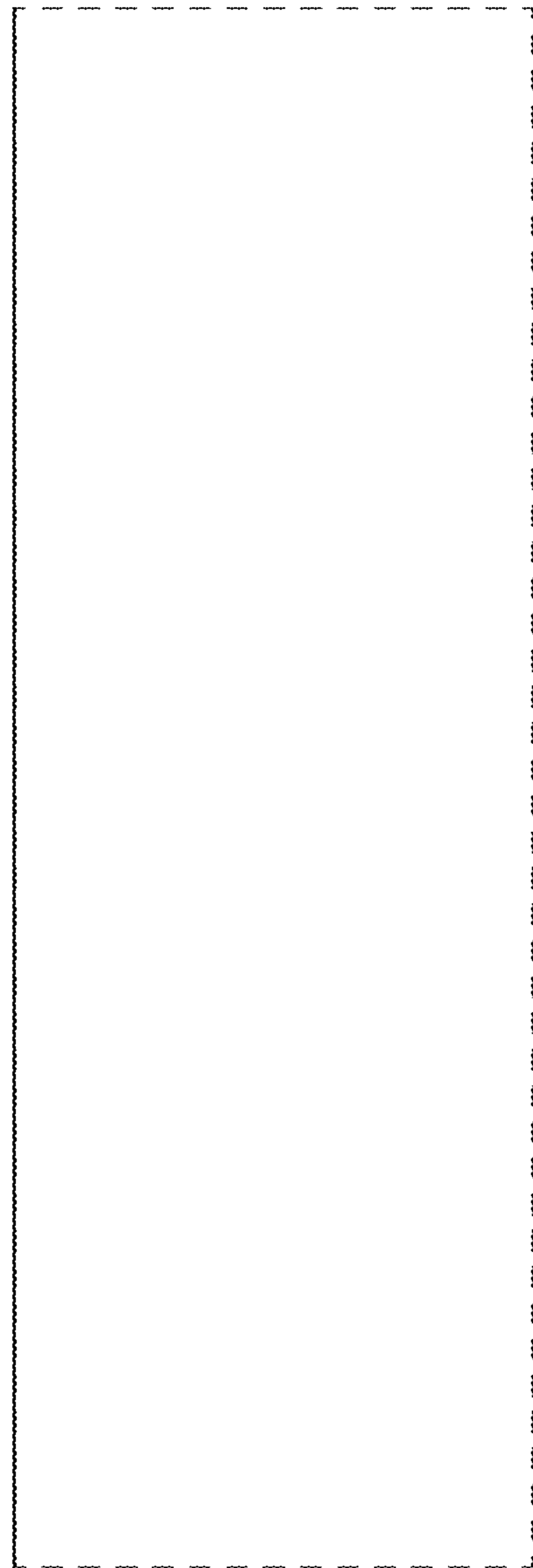


Fig. 11



Fig. 12



Fig. 13

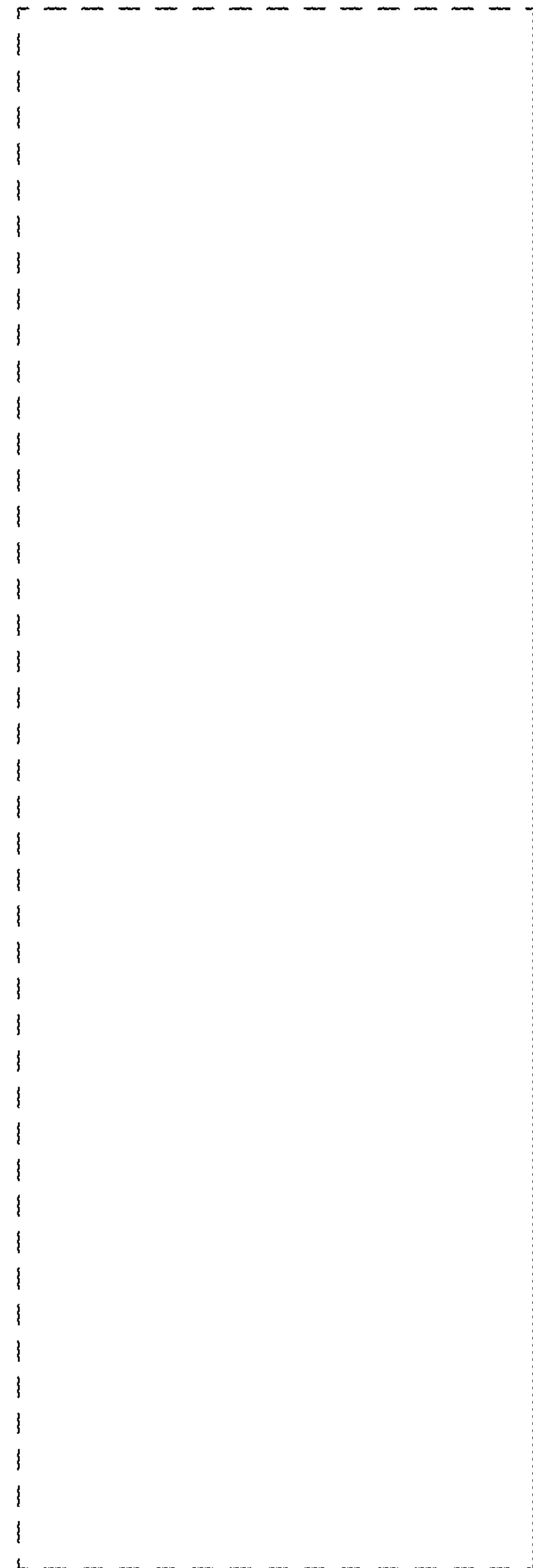


Fig. 14