



US00D772062S

(12) **United States Design Patent**
Bonilla et al.

(10) **Patent No.:** **US D772,062 S**

(45) **Date of Patent:** **** Nov. 22, 2016**

(54) **PACKAGE FOR ABSORBENT ARTICLES**

(71) Applicant: **The Procter & Gamble Company**,
Cincinnati, OH (US)

(72) Inventors: **Alejandro Javier Bonilla**, Cincinnati,
OH (US); **Stephanie Laura Tacconelli**,
Cincinnati, OH (US); **Brenda Marie
Mahan**, Liberty Township, OH (US)

(73) Assignee: **The Procter & Gamble Company**,
Cincinnati, OH (US)

(**) Term: **14 Years**

(21) Appl. No.: **29/498,765**

(22) Filed: **Aug. 7, 2014**

(51) **LOC (10) Cl.** **09-03**

(52) **U.S. Cl.**
USPC **D9/434**

(58) **Field of Classification Search**

USPC D9/414-418, 420-427, 430-434, 634,
D9/649, 653, 667, 669, 707, 711-713,
D9/733-744, 751, 756, 759, 760; D3/272,
D3/273, 302, 304-309, 315; D7/601, 602,
D7/609, 619.1, 630; D14/489, 492;
D11/48, 76, 99, 108, 110, 238
CPC B65D 5/00-5/02; B65D 5/0209-5/0272;
B65D 5/029; B65D 5/40; B65D 5/72; B65D
5/727; B65D 31/10-31/18; B65D 35/04;
B65D 35/56

See application file for complete search history.

(56) **References Cited**

U.S. PATENT DOCUMENTS

D9,159 S * 3/1876 Reed D11/108
D78,583 S * 5/1929 Neely D11/99

(Continued)

OTHER PUBLICATIONS

Sun icon set. [online] Retrieved Jul. 7, 2016 from URL: <https://
www.dreamstime.com/stock-photos-sun-icon-set-vector-im-
age35640203>.*

Primary Examiner — Vy Koenig

(74) *Attorney, Agent, or Firm* — Dara M. Kendall;
Andrew J. Hagerty

(57) **CLAIM**

The ornamental design for a package for absorbent articles,
as shown and described.

DESCRIPTION

The file of this patent contains at least one drawing/photo-
graph executed in color. Copies of this patent with color
drawing(s)/photograph(s) will be provided by the Office
upon request and payment of the necessary fee.

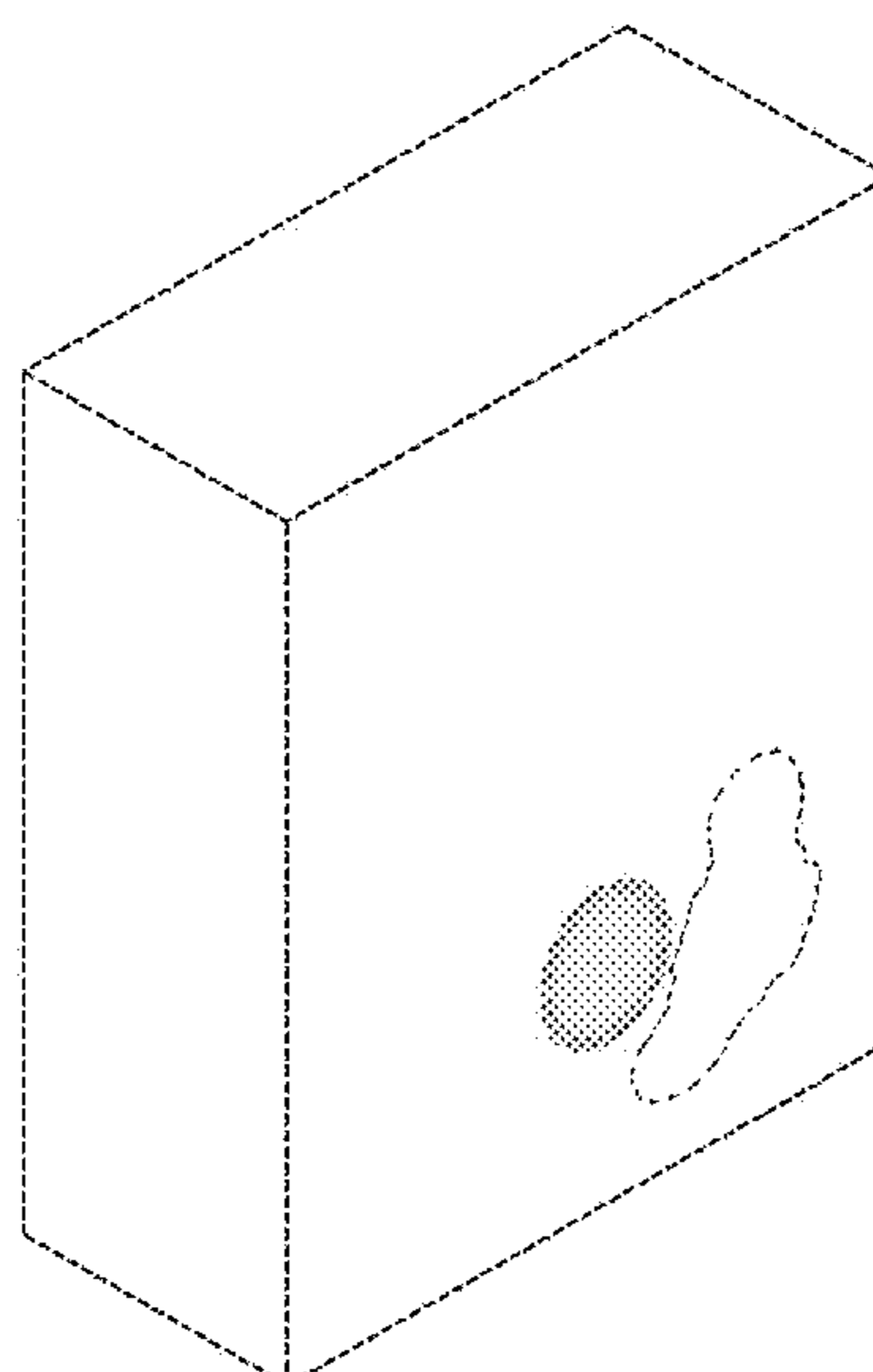
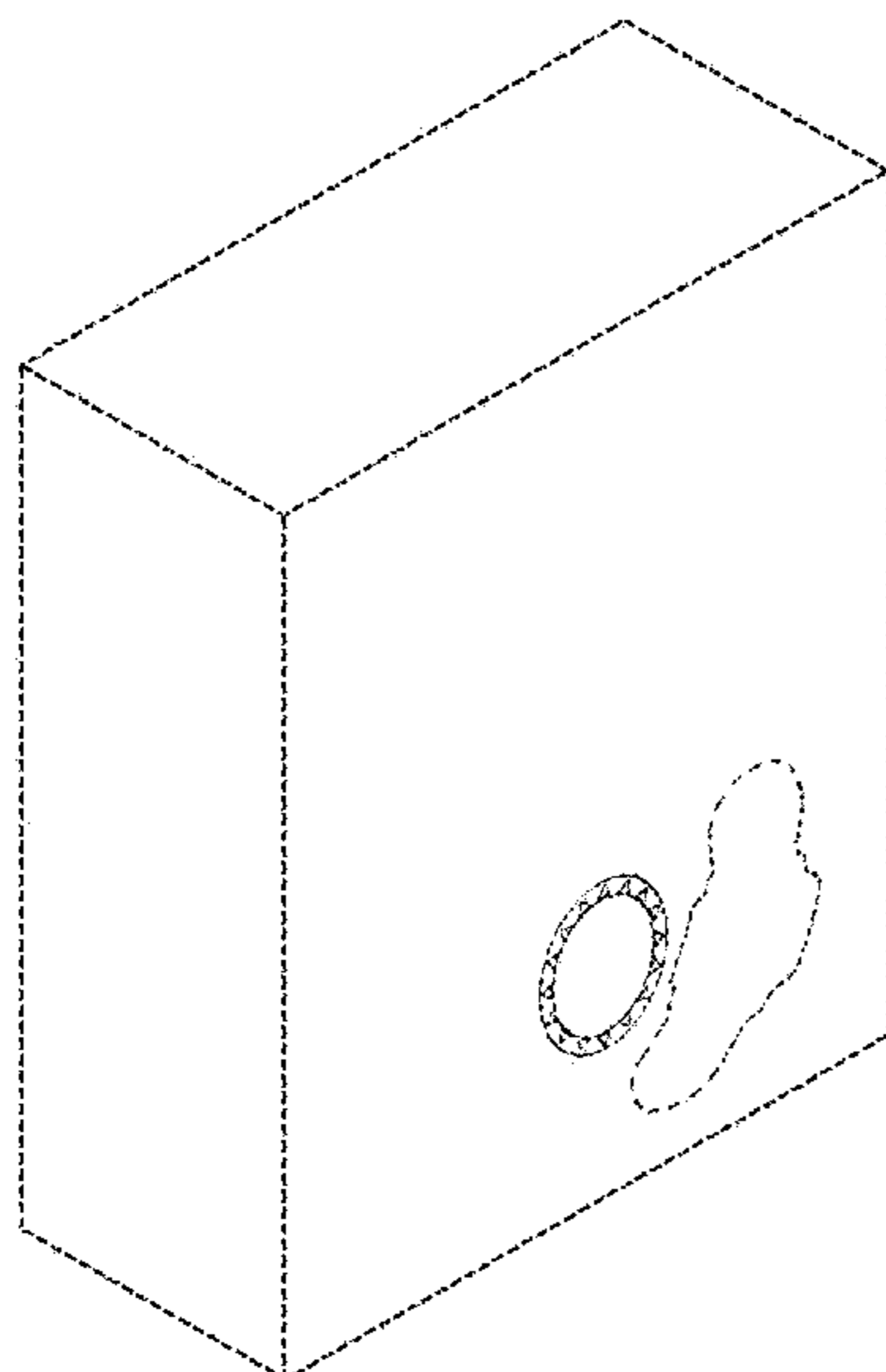
FIG. 1 is a front perspective view of a first embodiment of
a package for absorbent articles, embodying the new design;
FIG. 2 is a front view of the design shown in FIG. 1;
FIG. 3 is a back view of the design shown in FIG. 1;
FIG. 4 is a right side view of the design shown in FIG. 1;
FIG. 5 is a left side view of the design shown in FIG. 1;
FIG. 6 is a top view of the design shown in FIG. 1; and,
FIG. 7 is a bottom view of the design shown in FIG. 1.

FIG. 8 is a front perspective view of a second embodiment
of a package for absorbent articles, embodying the new
design;

FIG. 9 is a front view of the design shown in FIG. 8;
FIG. 10 is a back view of the design shown in FIG. 8;
FIG. 11 is a right side view of the design shown in FIG. 8;
FIG. 12 is a left side view of the design shown in FIG. 8;
FIG. 13 is a top view of the design shown in FIG. 8; and,
FIG. 14 is a bottom view of the design shown in FIG. 8.

Broken lines shown in the figures are for illustrative pur-
poses only and form no part of the claimed design.

1 Claim, 6 Drawing Sheets
(2 of 6 Drawing Sheet(s) Filed in Color)



(56)

References Cited

U.S. PATENT DOCUMENTS

D157,172 S *	2/1950	Krapmann	D9/669	D667,430 S *	9/2012	Ouilhet	D14/489
D184,980 S *	4/1959	Brown	D11/76	D669,790 S *	10/2012	Powers	D9/434
D259,469 S *	6/1981	Grodin	D9/432	D673,051 S *	12/2012	Powers	D9/434
D259,470 S *	6/1981	Grodin	D9/432	D681,661 S *	5/2013	Koehn	D14/488
D343,572 S *	1/1994	Billelo	D9/649	D682,313 S *	5/2013	Voreis	D14/492
D436,019 S *	1/2001	Thomas	D8/1	D684,583 S *	6/2013	Brinda	D14/485
D436,020 S *	1/2001	Thomas	D8/1	D712,911 S *	9/2014	Pearson	D14/486
D489,002 S *	4/2004	Meyer	D9/669	D721,727 S *	1/2015	Koehn	D14/488
D531,498 S *	11/2006	Fluegel	D9/432	D721,732 S *	1/2015	Brinda	D14/492
7,152,210 B1 *	12/2006	Van Den Hoven	... G06F 3/0482		D729,060 S *	5/2015	Trombetta	D9/418
			707/E17.111		D733,754 S *	7/2015	Jung	D14/492
D639,179 S *	6/2011	Powers	D9/434	D737,301 S *	8/2015	Hisada	D14/486
					D743,787 S *	11/2015	Hood	D9/434
					D744,333 S *	12/2015	Hood	D9/434

* cited by examiner

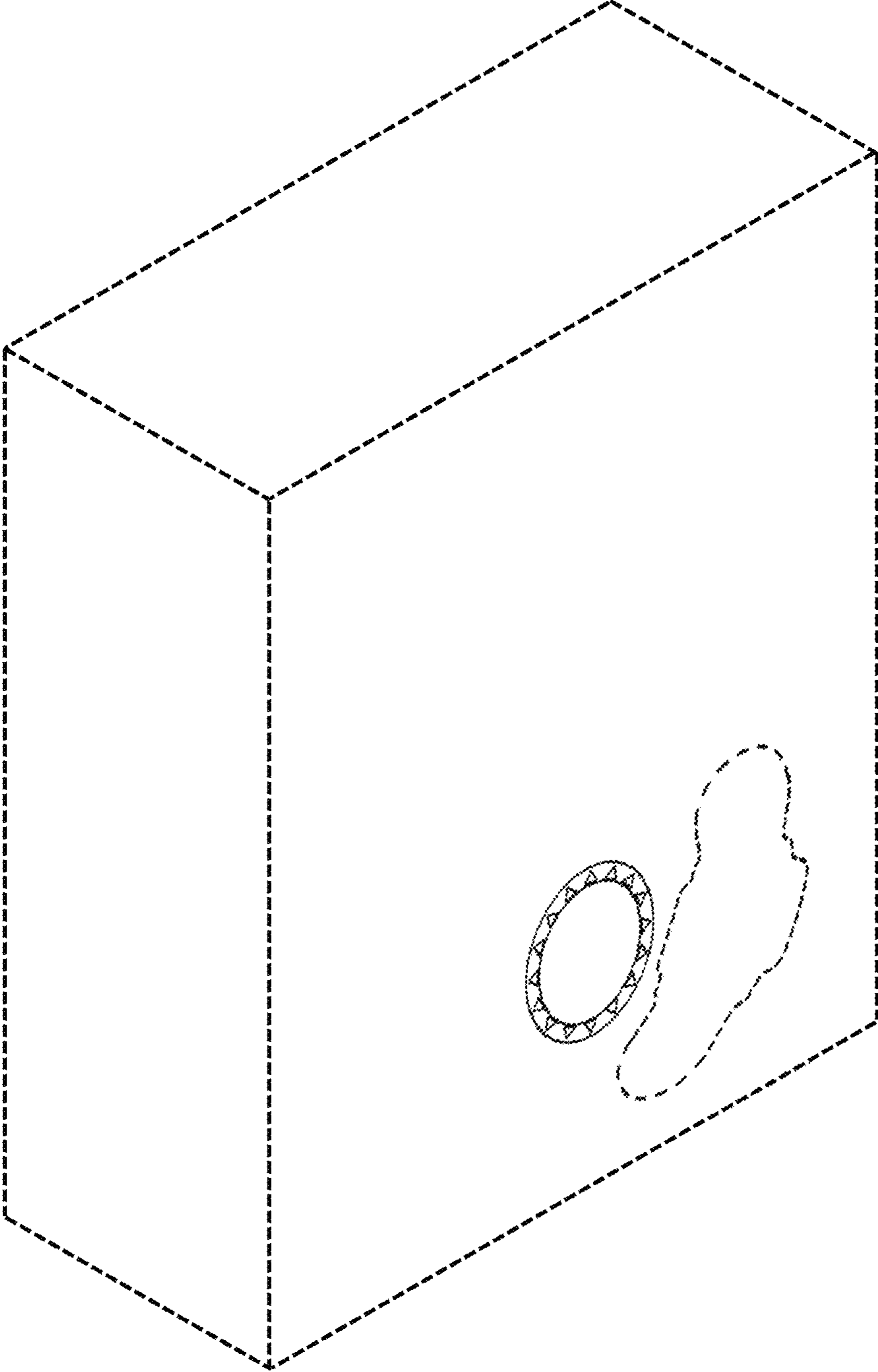


FIG. 1

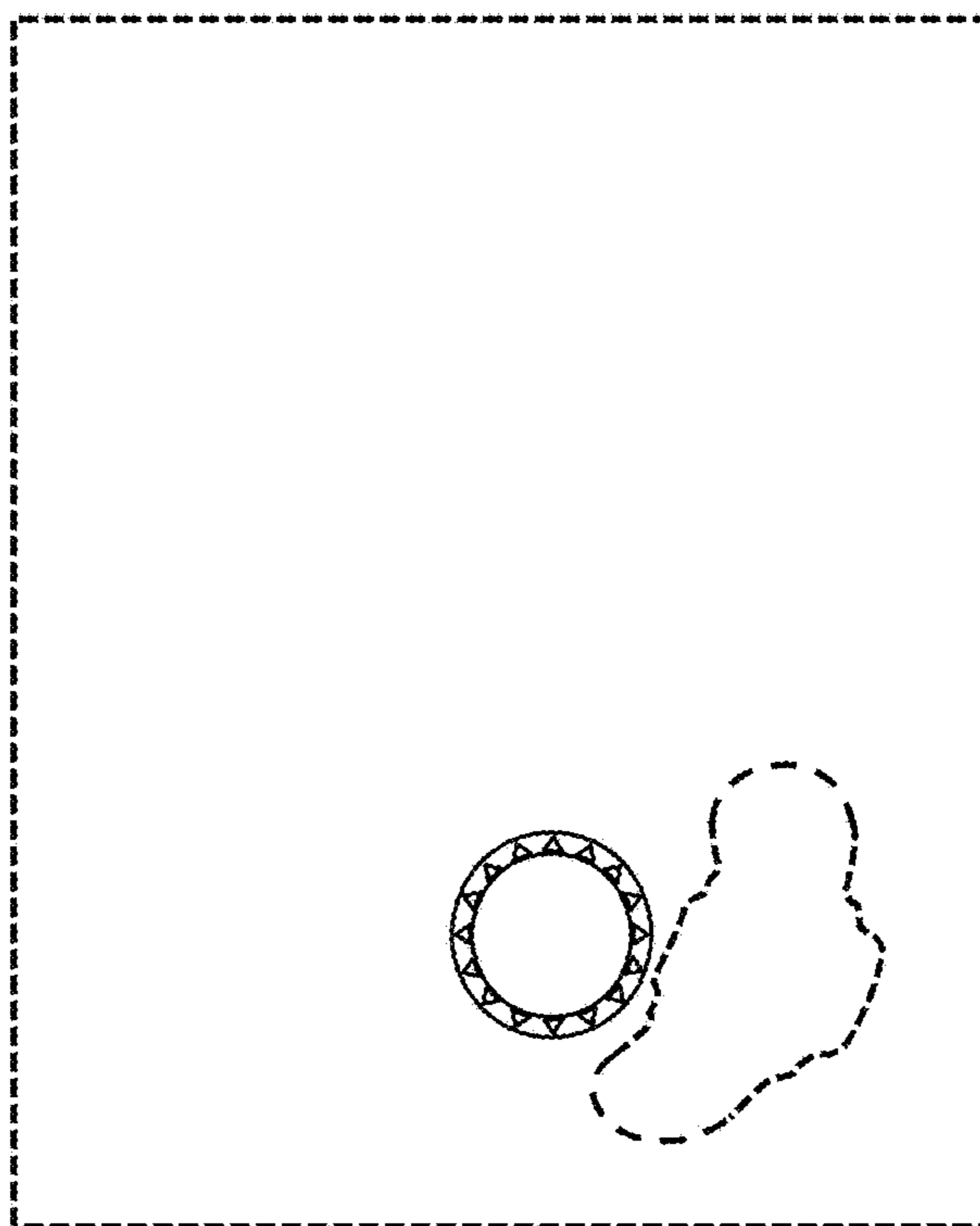


FIG. 2

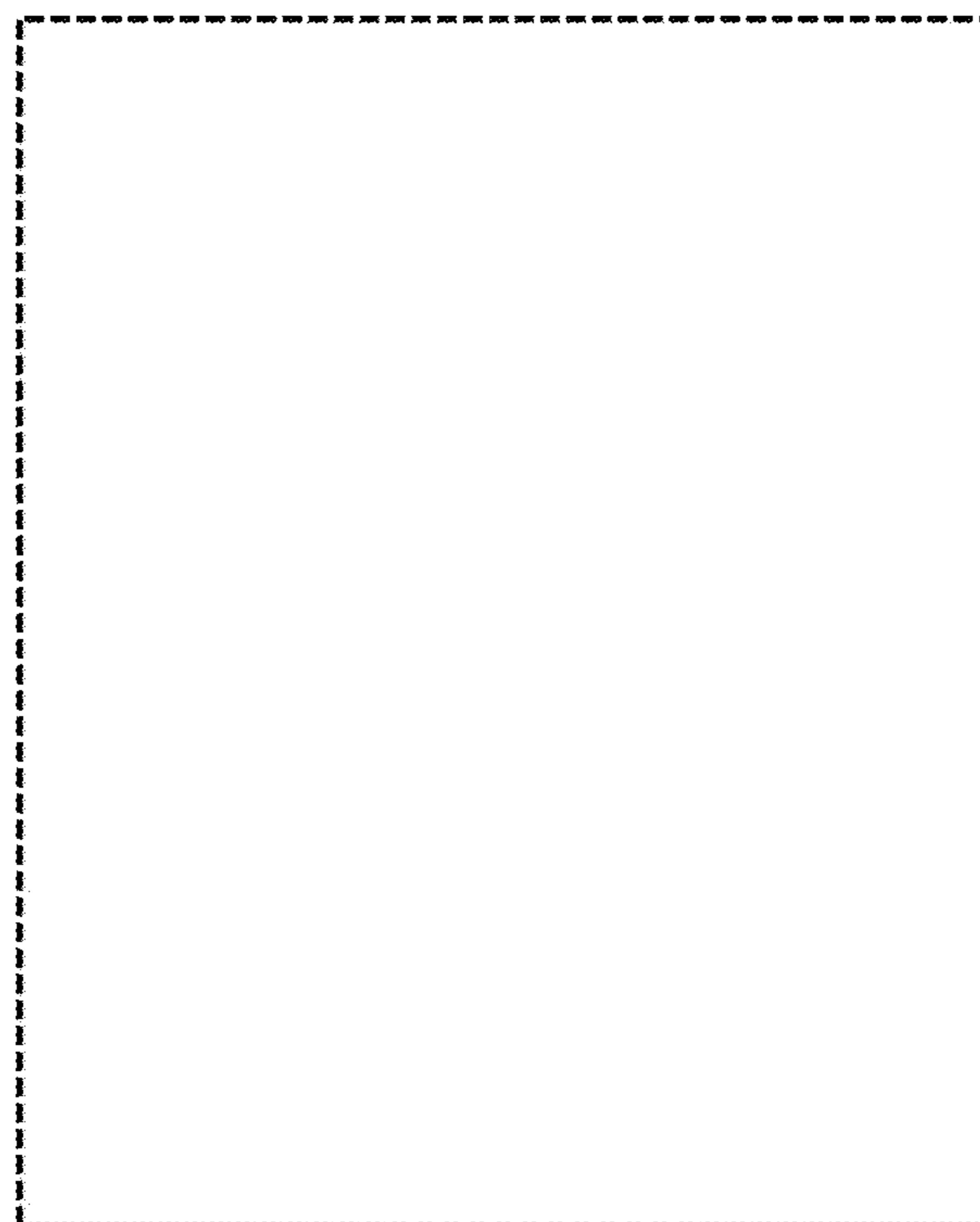


FIG. 3

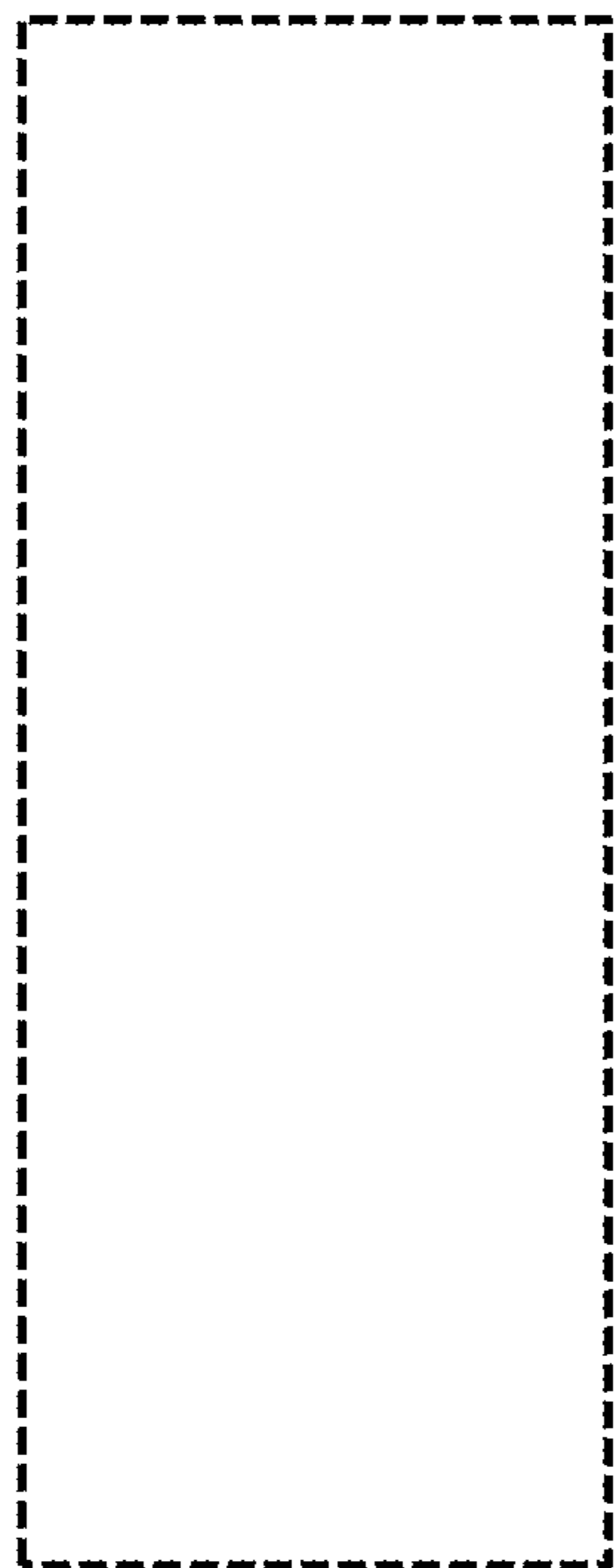


FIG. 4

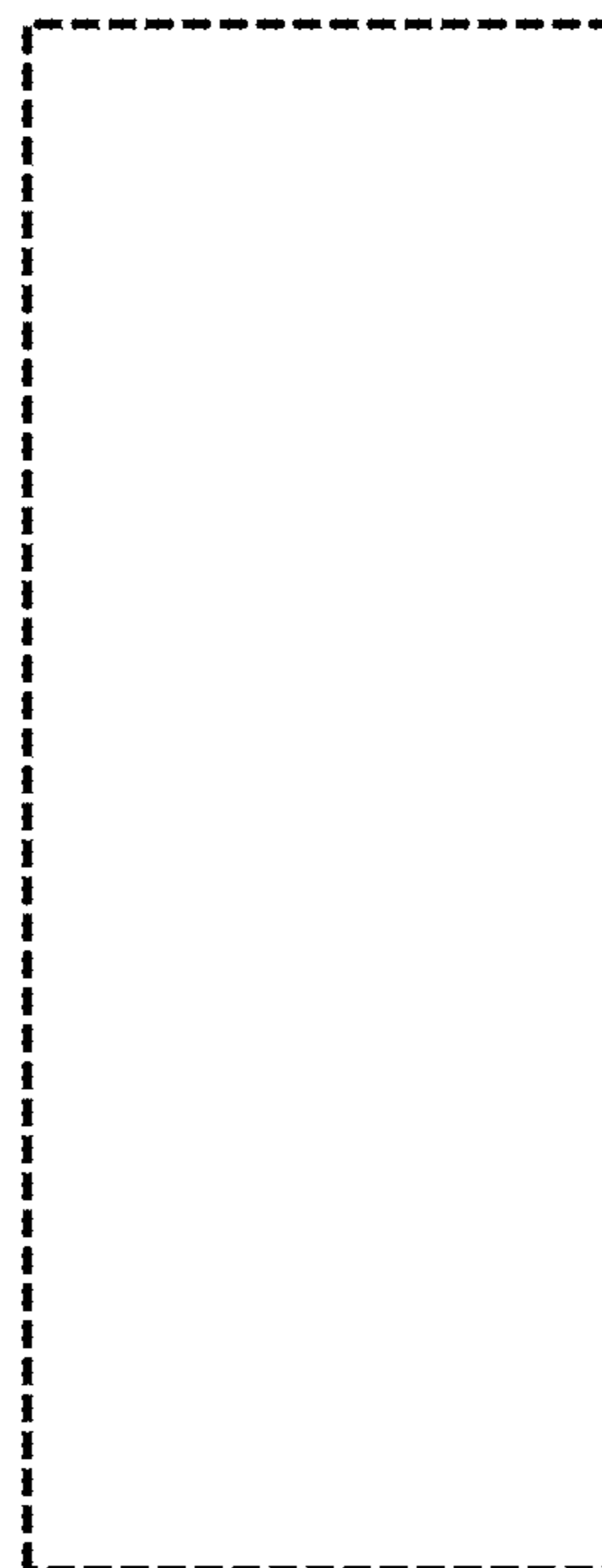


FIG. 5



FIG. 6



FIG. 7

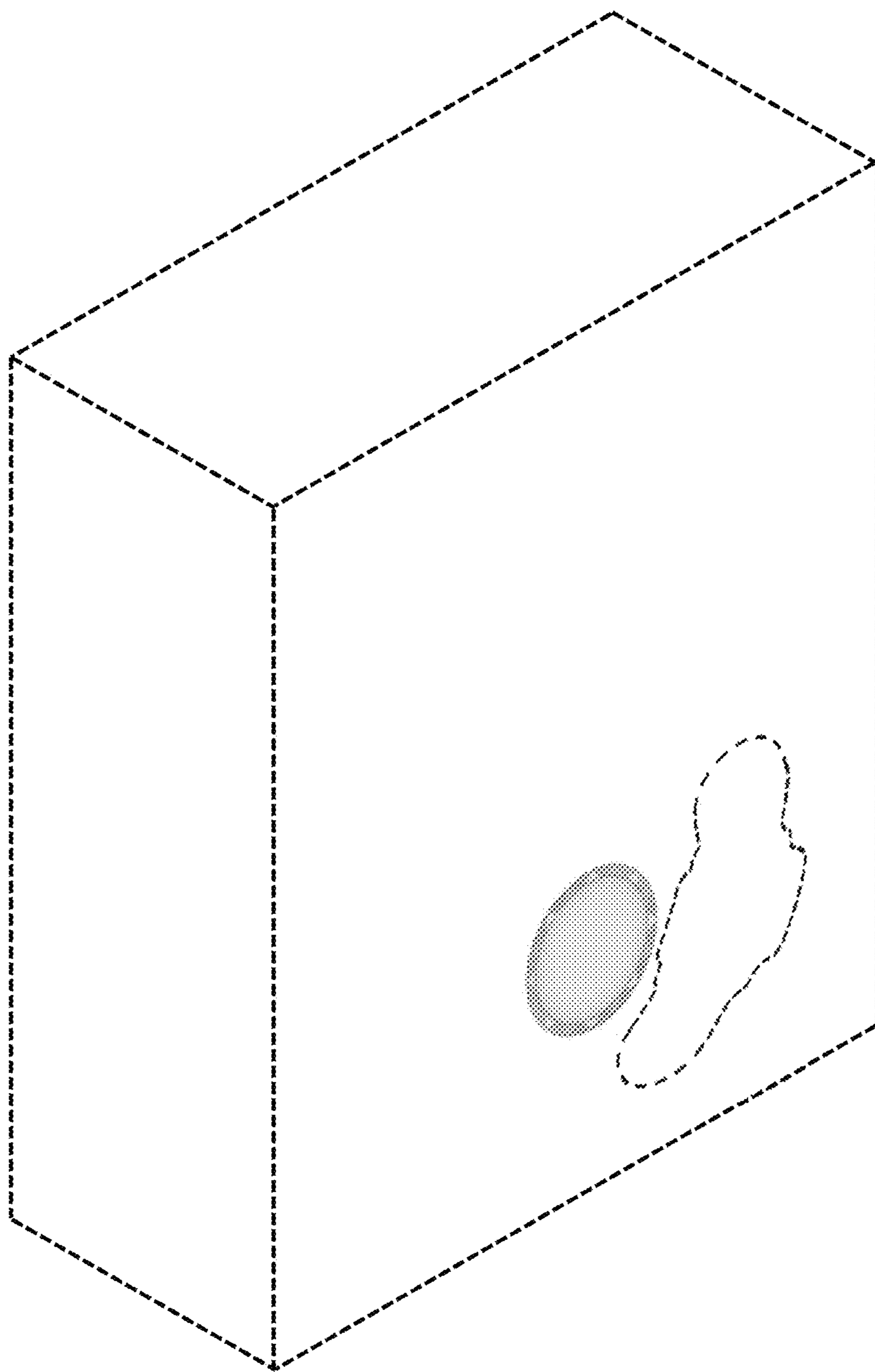


FIG. 8

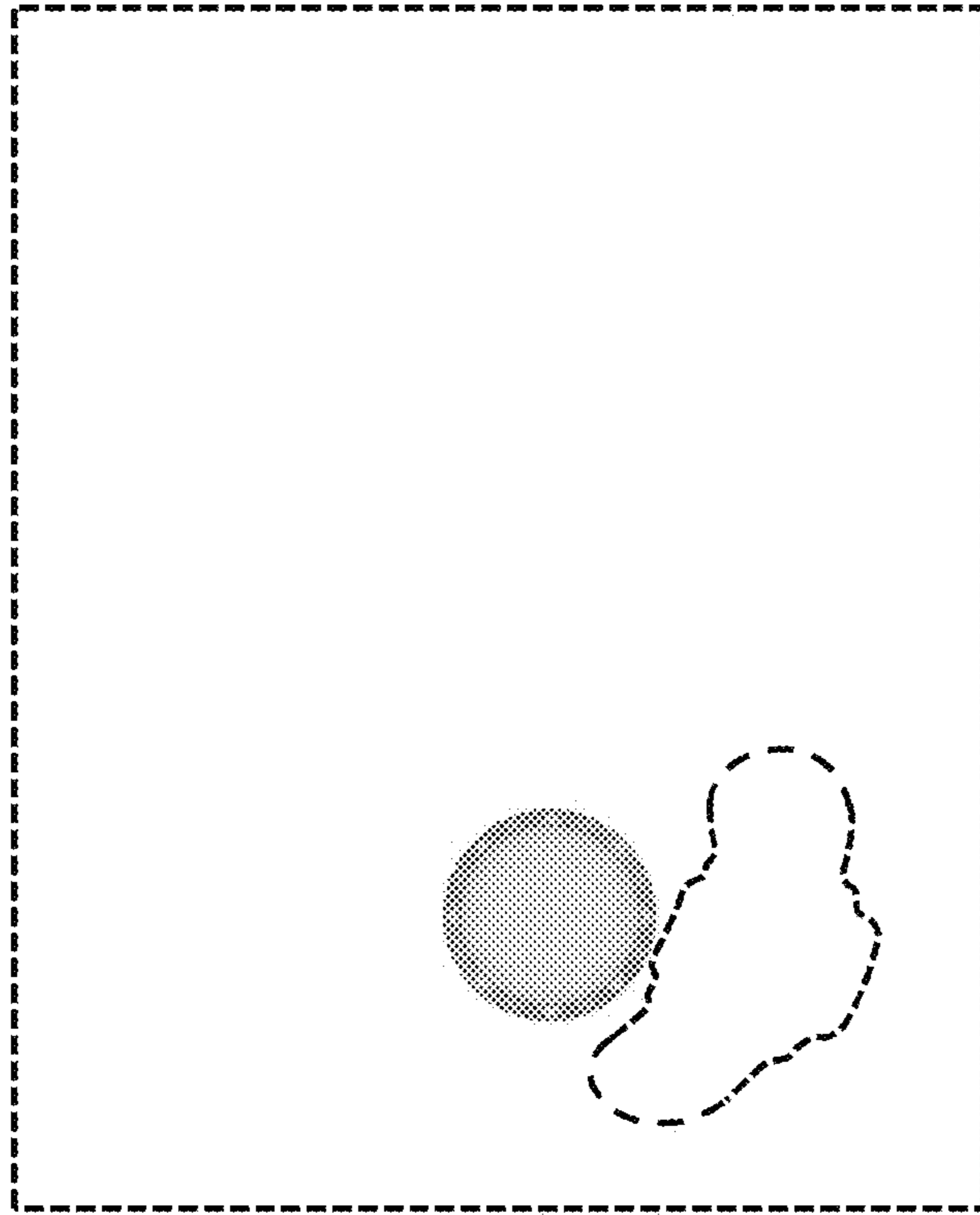


FIG. 9

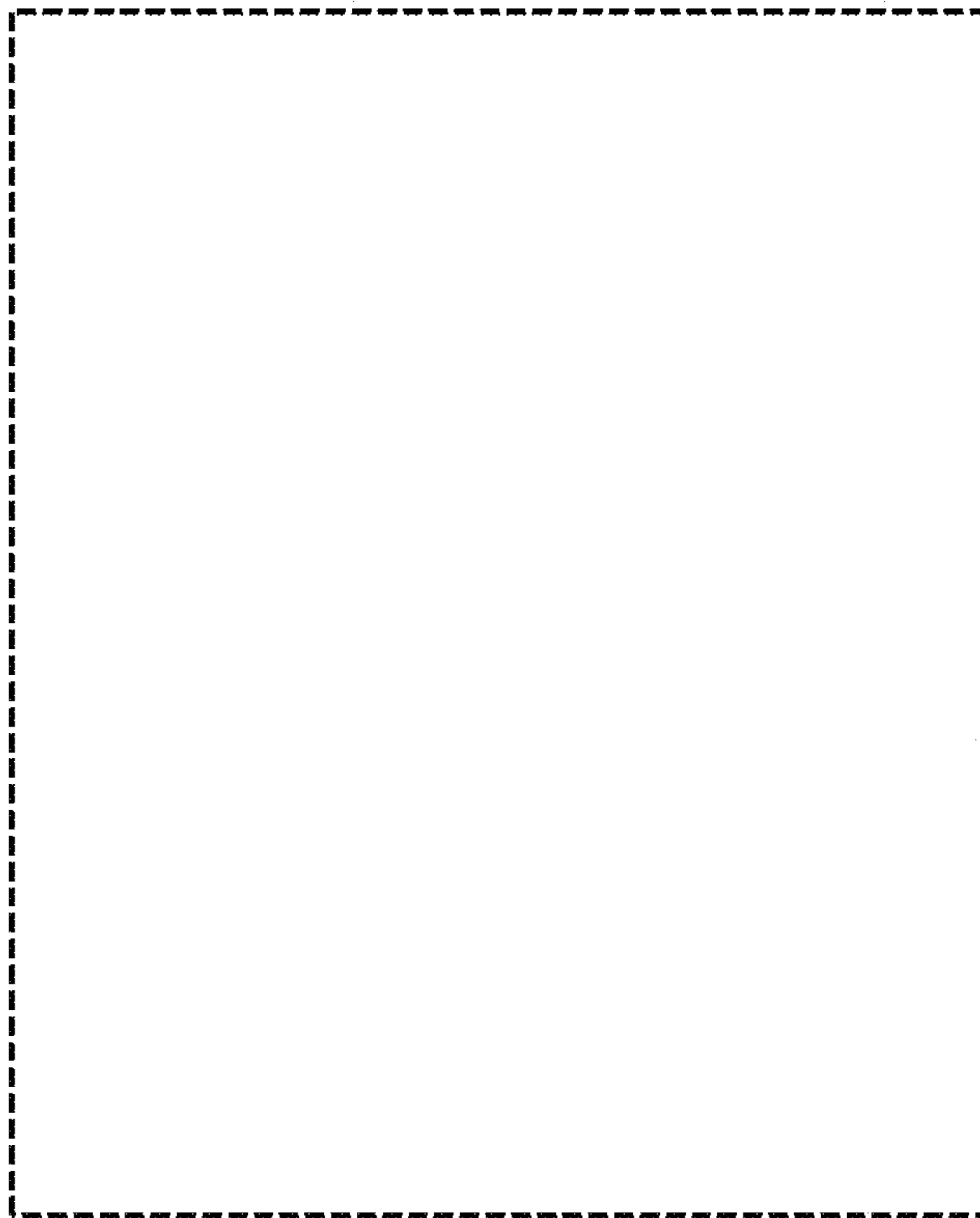


FIG. 10

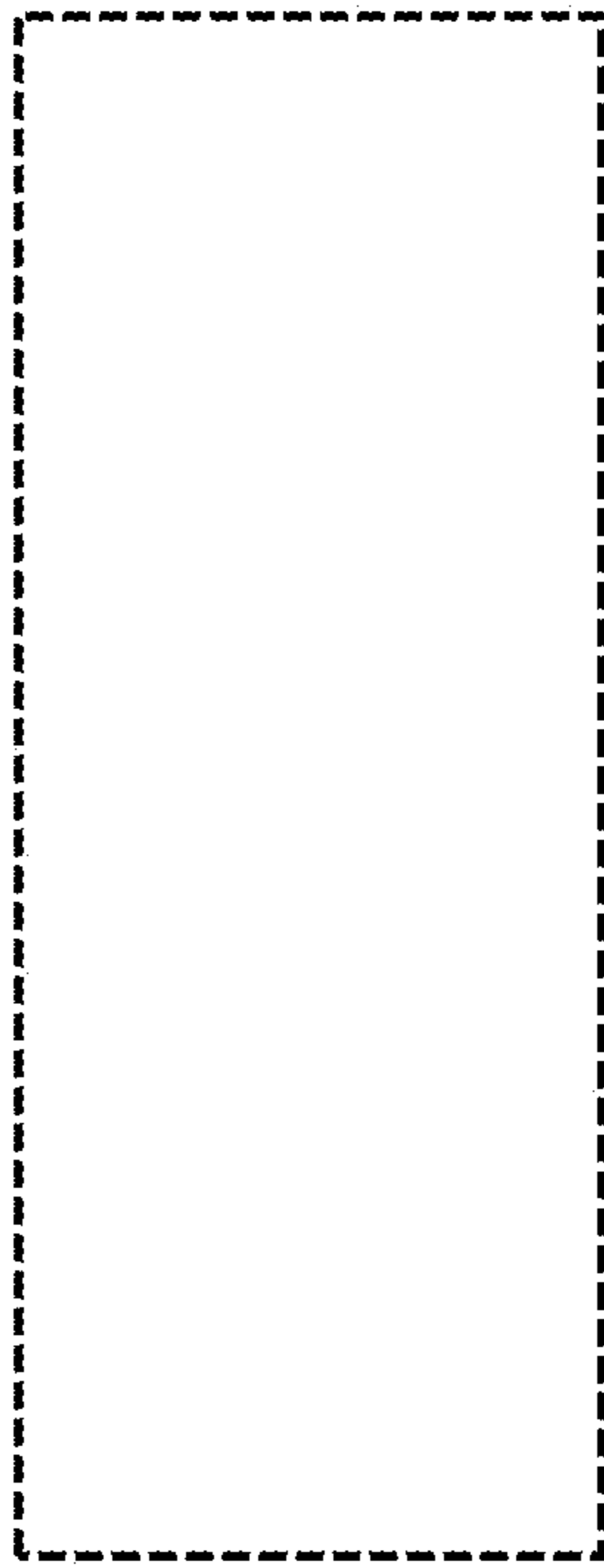


FIG. 11

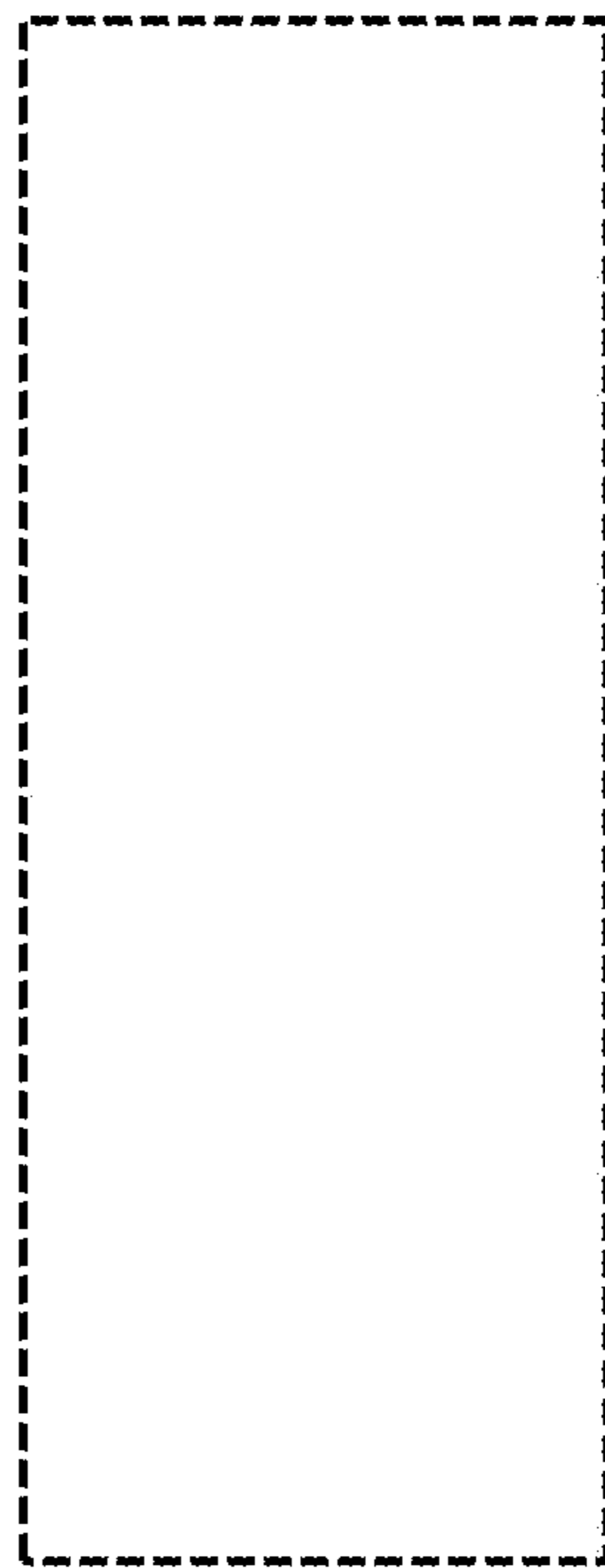


FIG. 12



FIG. 13



FIG. 14