



US00D772054S

(12) **United States Design Patent** (10) **Patent No.:** **US D772,054 S**
Wolf (45) **Date of Patent:** **** Nov. 22, 2016**

(54) **BEVERAGE CONTAINER**
(71) Applicant: **LBP Manufacturing, Inc.**, Cicero, IL (US)

5,193,712 A 3/1993 Koppersbusch
5,201,462 A 4/1993 Sada
5,263,339 A 11/1993 Evans
5,265,753 A 11/1993 Moorman

(Continued)

(72) Inventor: **Kurt Wolf**, Chicago, IL (US)

FOREIGN PATENT DOCUMENTS

(73) Assignee: **LBP Manufacturing LLC**, Cicero, IL (US)

AU 493047 3/1976
EP 1127807 8/2001

(Continued)

(**) Term: **14 Years**

(21) Appl. No.: **29/522,373**

OTHER PUBLICATIONS

(22) Filed: **Mar. 30, 2015**

Examination Report issued in related Taiwan Application No. 104304666 dated Feb. 19, 2016 and English translation of the same (6 pages).

(51) **LOC (10) Cl.** **09-03**

(52) **U.S. Cl.**

(Continued)

USPC **D9/430**; D9/417

(58) **Field of Classification Search**

USPC D9/414-415, 417, 418, 420-427,
D9/430-434, 634, 721, 783-744, 751, 756,
D9/759, 760; D3/272, 273, 302, 304-309,
D3/315; D7/601, 602, 609, 619.1, 630
CPC B65D 5/00-5/02; B65D 5/0209-5/0272;
B65D 5/029; B65D 5/40; B65D 5/72; B65D
5/727

Primary Examiner — Vy Koenig

(74) *Attorney, Agent, or Firm* — Fitch, Even, Tabin & Flannery LLP

(57)

CLAIM

I claim the ornamental design for a beverage container, as shown and described.

See application file for complete search history.

DESCRIPTION

(56) **References Cited**

U.S. PATENT DOCUMENTS

2,714,982 A 8/1955 Strauss
3,087,655 A 4/1963 Scholle
3,227,322 A 1/1966 Crain
3,363,807 A 1/1968 Powell
3,785,254 A 1/1974 Mann
4,471,884 A 9/1984 Kuchenbecker
4,658,961 A 4/1987 Tamura
4,815,631 A 3/1989 Eeg
5,074,429 A 12/1991 Konkel
5,092,486 A 3/1992 vomHofe
5,147,062 A 9/1992 Heuberger

FIG. 1 is a perspective view of a beverage container showing my new design;

FIG. 2 is a left side elevational view thereof;

FIG. 3 is a right side elevational view thereof;

FIG. 4 is a rear elevational view thereof;

FIG. 5 is a front elevational view thereof;

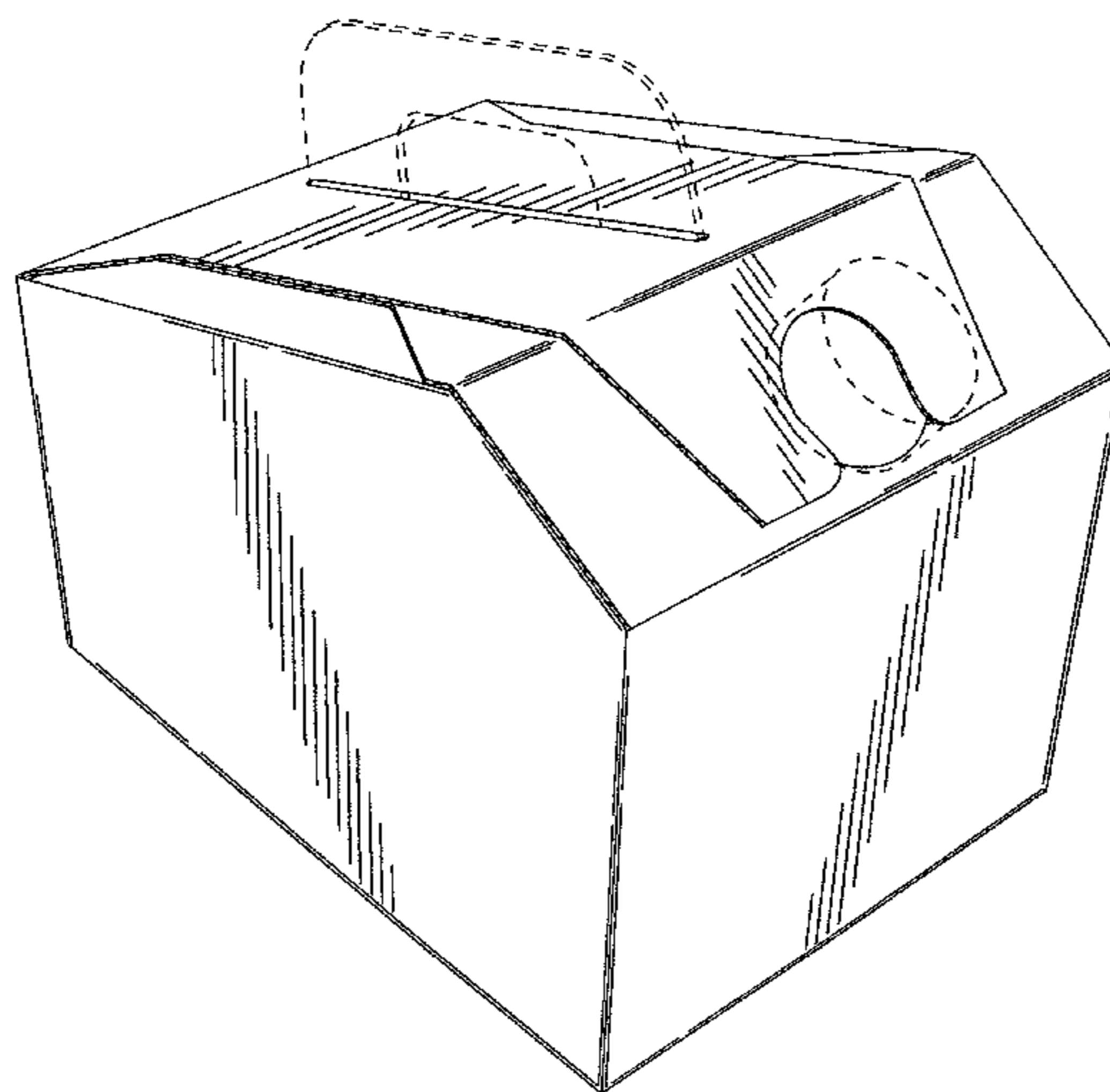
FIG. 6 is a top plan view thereof;

FIG. 7 is a bottom plan view thereof; and,

FIG. 8 is an enlarged fragmentary, elevational view of the circled portion in FIG. 2.

The broken lines in the drawings depict portions of the beverage container that form no part of the claimed design.

1 Claim, 8 Drawing Sheets



(56)

References Cited

U.S. PATENT DOCUMENTS

5,704,541 A 1/1998 Mogard
 5,715,992 A 2/1998 Andrews, Sr.
 D394,209 S * 5/1998 Millet D7/619.1
 5,769,028 A 6/1998 Deckys
 5,909,841 A 6/1999 Andrews, Sr.
 5,950,831 A 9/1999 Millet
 6,053,401 A 4/2000 Andrews, Sr.
 6,062,431 A 5/2000 Geshay
 6,168,074 B1 1/2001 Petriekis
 D437,218 S * 2/2001 Ljunstrom D9/417
 6,182,887 B1 2/2001 Ljunstrom
 6,196,452 B1 3/2001 Andrews, Sr.
 6,209,781 B1 4/2001 Sylvester
 6,223,981 B1 5/2001 Gunder
 6,253,993 B1 7/2001 Lloyd
 6,290,124 B2 9/2001 Andrews, Sr.
 RE38,377 E 1/2004 Geshay
 7,066,869 B2 6/2006 Cook
 7,077,309 B2 7/2006 Andrews, Sr.
 D586,221 S * 2/2009 Shaikh D9/523
 7,571,835 B2 8/2009 Hill
 D609,088 S * 2/2010 Kvam D9/431
 7,681,783 B2 3/2010 Stephenson
 D617,635 S 6/2010 Gould
 D625,600 S 10/2010 Hill
 D663,198 S * 7/2012 White D9/430
 D679,094 S * 4/2013 Scott D3/307

D686,882 S 7/2013 Chiu et al.
 D690,195 S * 9/2013 Kalberer D9/417
 8,627,999 B2 * 1/2014 Wolf B65D 5/029
 229/117.15
 D713,721 S * 9/2014 Graves D9/432
 D744,825 S * 12/2015 Johansen D9/418
 D748,496 S * 2/2016 Young D9/432
 2002/0047040 A1 4/2002 Andrews
 2005/0211754 A1 9/2005 Fulcher
 2006/0202005 A1 9/2006 Andrews
 2006/0243783 A1 11/2006 Spivey
 2010/0127057 A1 5/2010 Burke
 2014/0374447 A1 * 12/2014 Coogan B65D 5/008
 222/183

FOREIGN PATENT DOCUMENTS

GB	1161713	8/1969
JP	9164609	6/1997
JP	D1400012	11/2010
JP	D1450074	9/2012

OTHER PUBLICATIONS

Examination Report issued in related Taiwan Application No. 104305390 dated Mar. 11, 2016 and English translation of the same (6 pages).

* cited by examiner

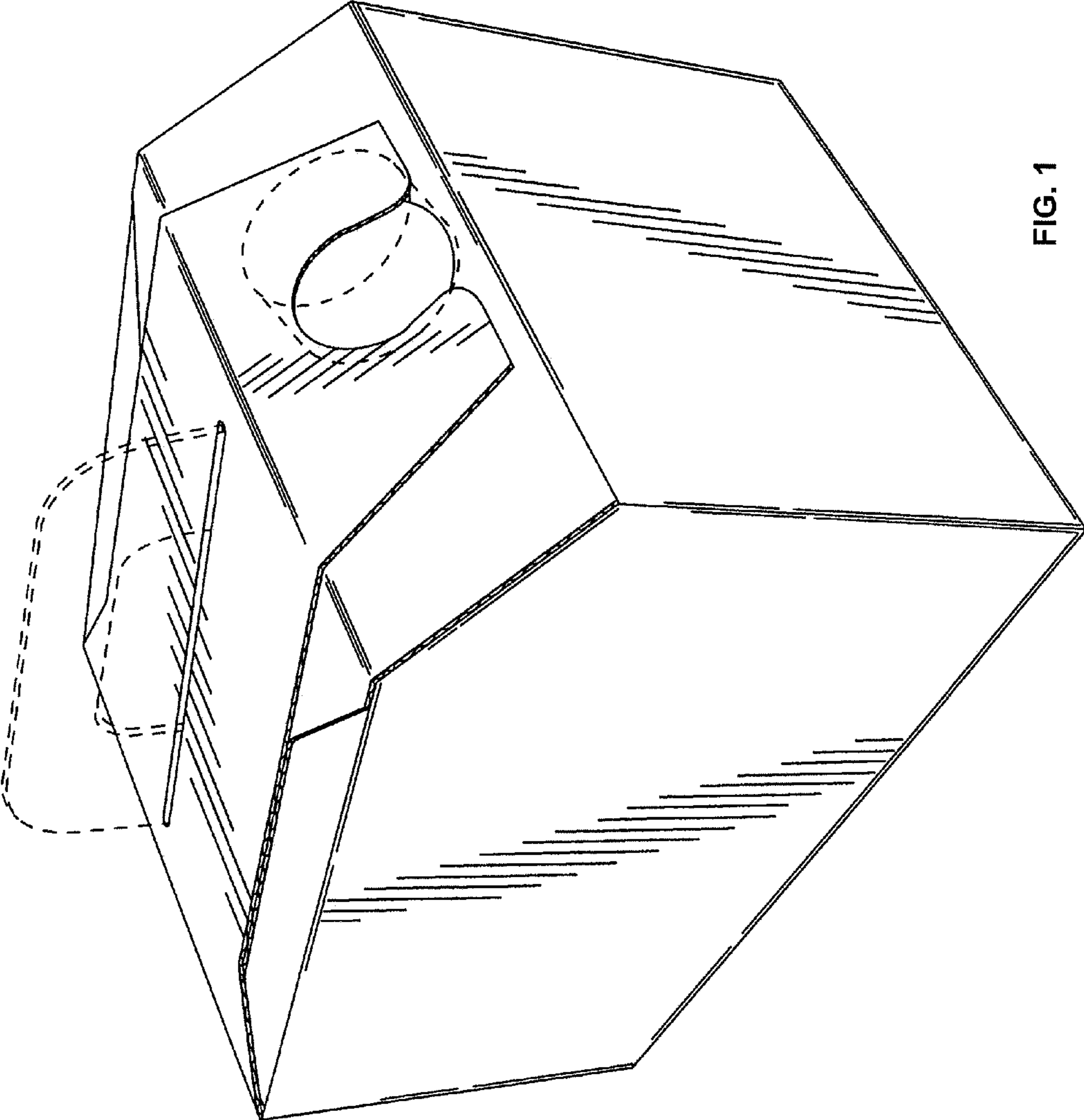


FIG. 1

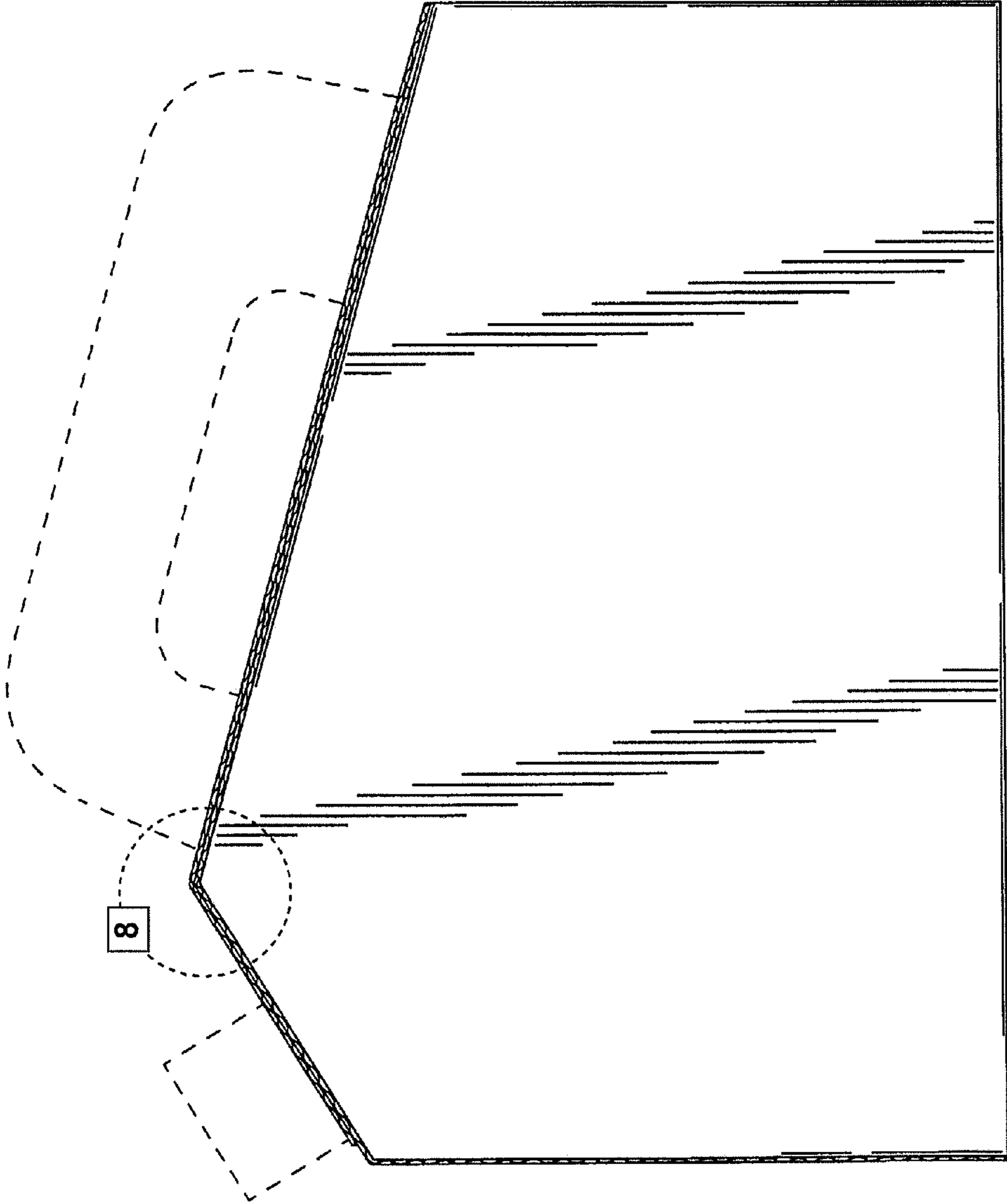


FIG. 2

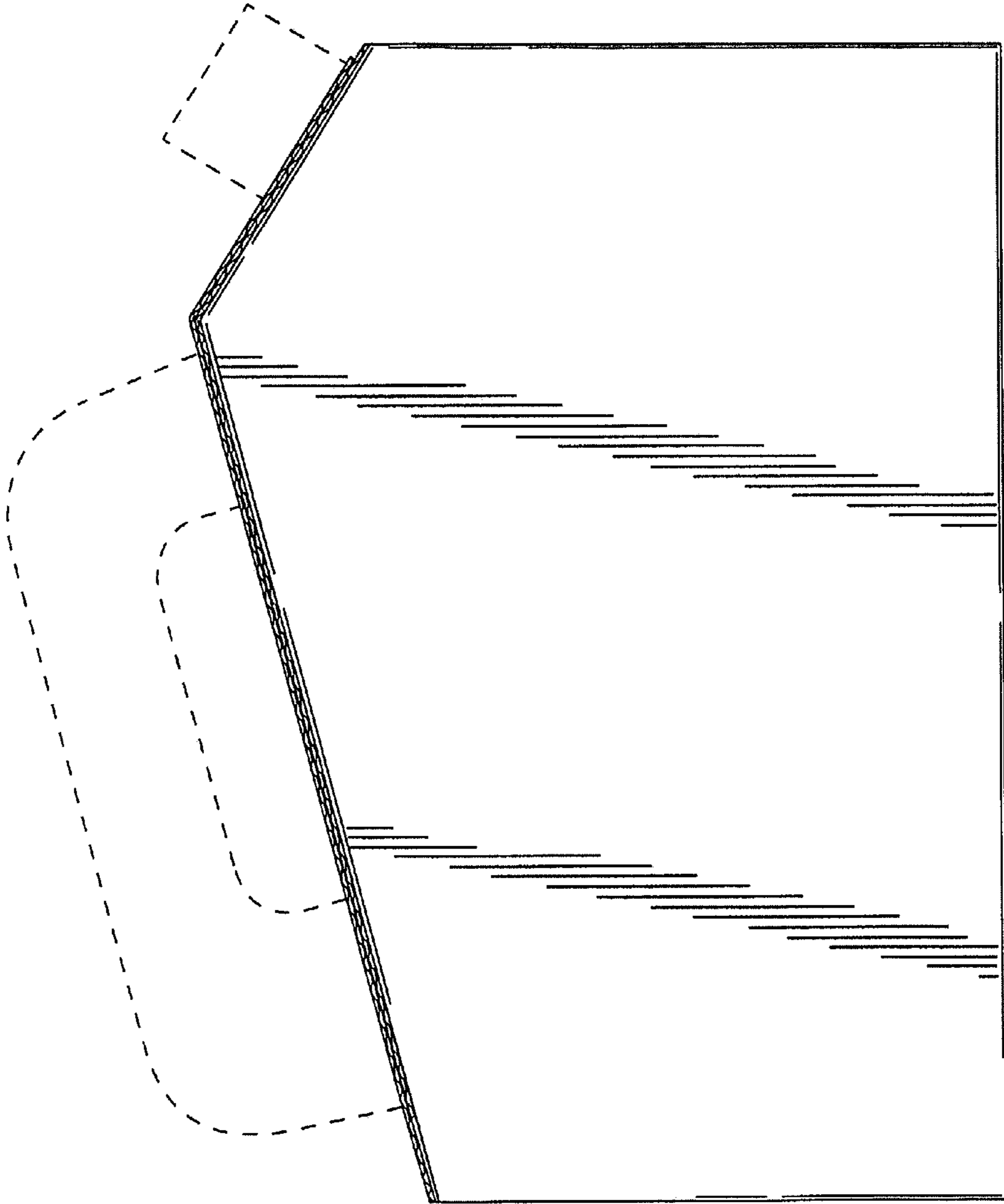


FIG. 3

FIG. 4

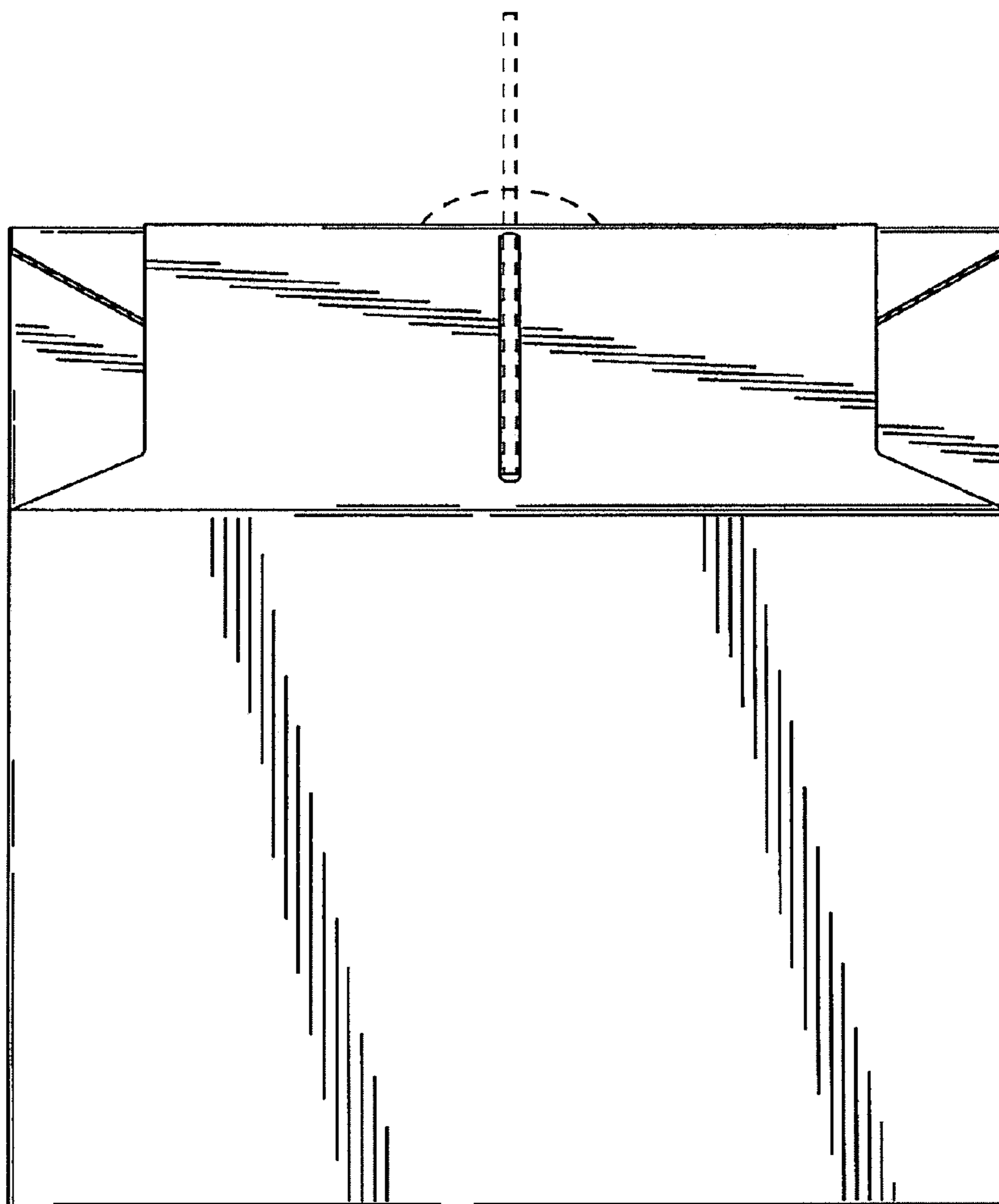


FIG. 5

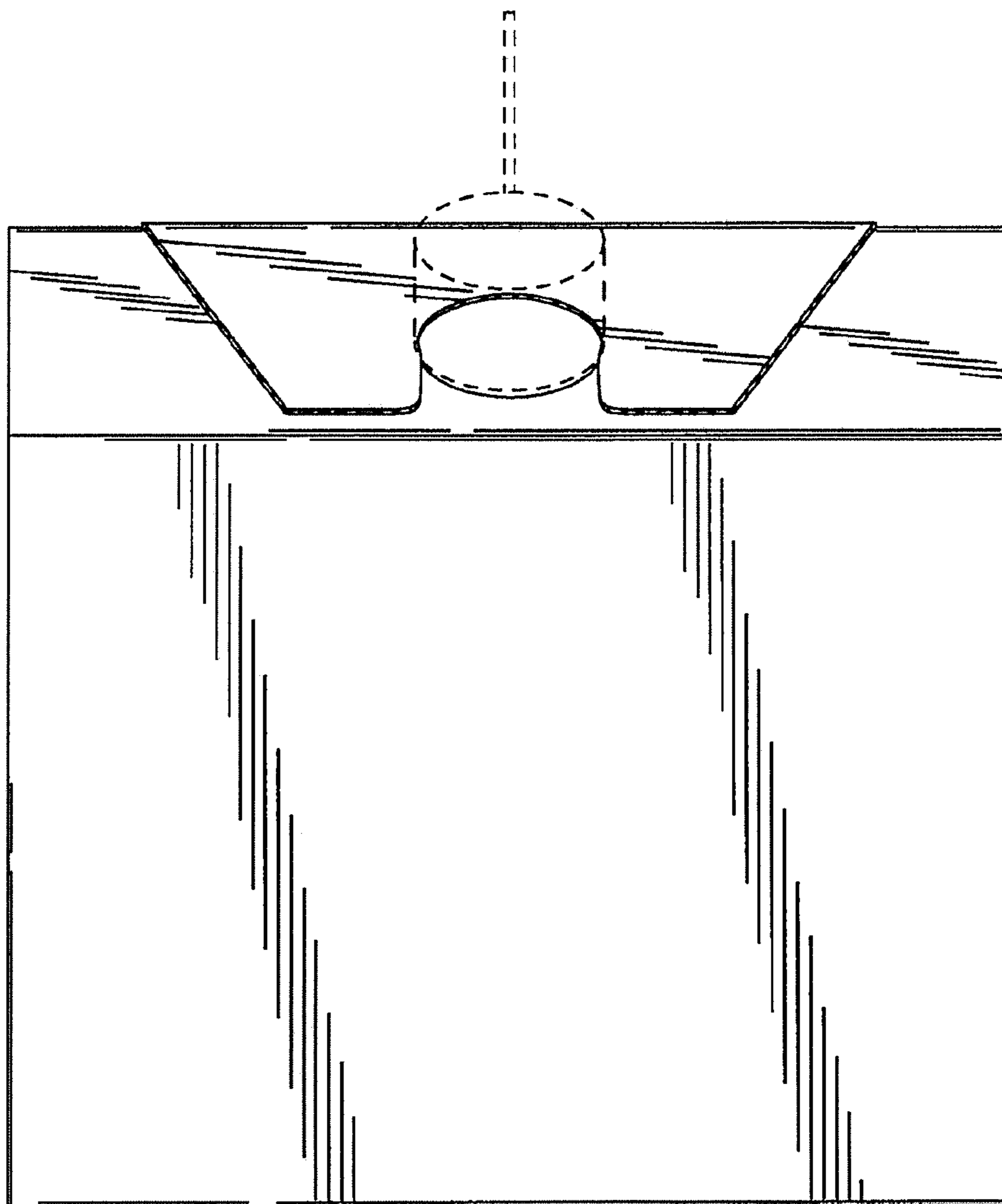


FIG. 6

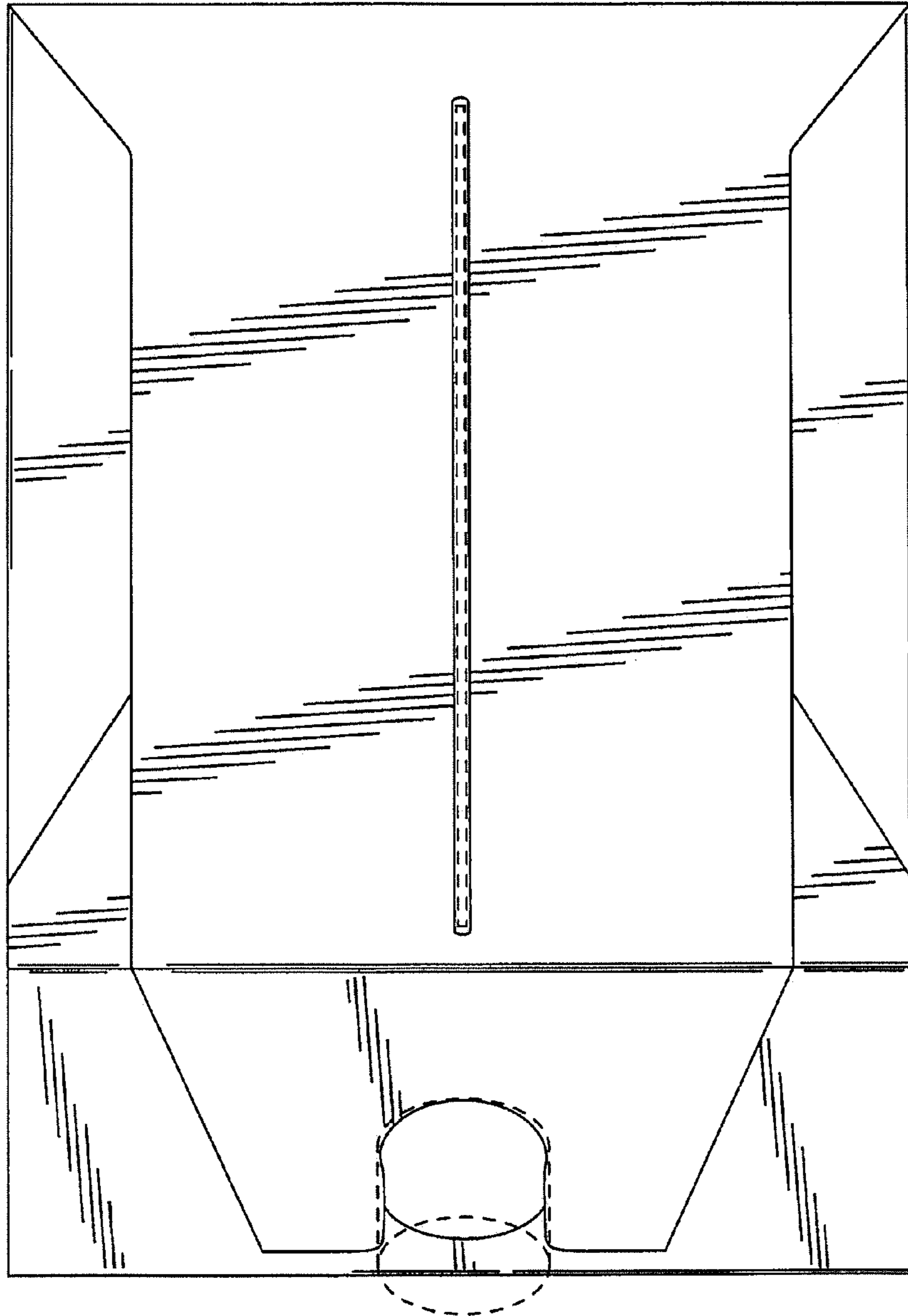


FIG. 7

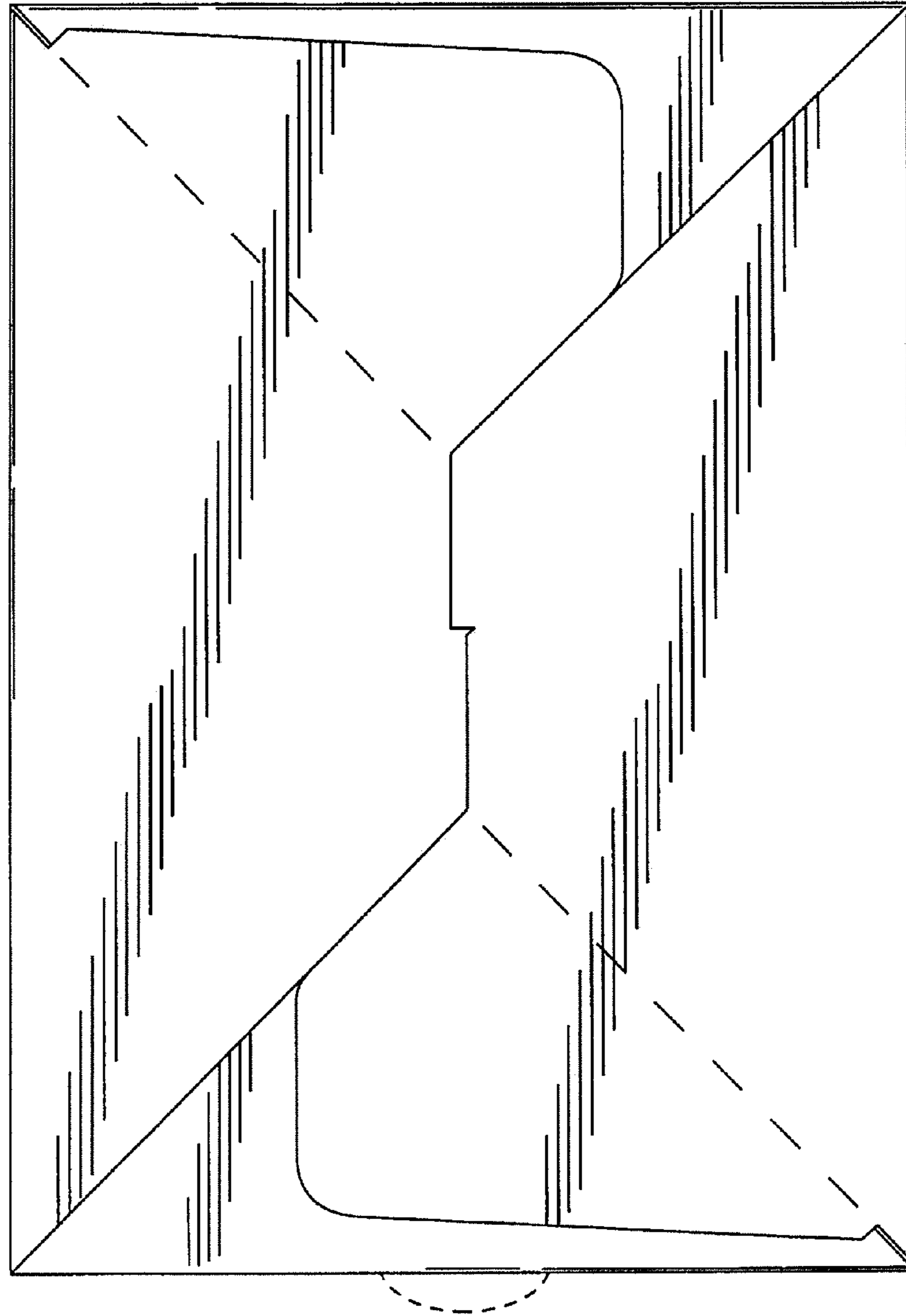


FIG. 8

