



US00D772053S

(12) **United States Design Patent**
Mayer

(10) **Patent No.:** **US D772,053 S**

(45) **Date of Patent:** **** Nov. 22, 2016**

(54) **CLOSEABLE CONTAINER**

(71) Applicant: **Inno-Pak, LLC**, Delaware, OH (US)

(72) Inventor: **Steven A. Mayer**, Indianapolis, IN (US)

(73) Assignee: **Inno-Pak, LLC**, Delaware, OH (US)

(**) Term: **15 Years**

(21) Appl. No.: **29/526,817**

(22) Filed: **May 13, 2015**

(51) **LOC (10) Cl.** **09-03**

(52) **U.S. Cl.**

USPC **D9/423**; D9/432; D9/418; D9/433

(58) **Field of Classification Search**

USPC D9/424, 414, 418, 420-423, 425, 428, D9/429, 430, 432, 500, 502, 503, 415, 433, D9/457; D3/273, 302; D7/500, 538, 601, D7/602, 609, 612, 615, 629; 206/205, 210, 206/216, 503, 508, 518, 519, 541, 557, 710, 206/723, 815, 822, 832, 461, 462, 491; 220/618, 675, 676, 781, 786, 789, 790, 220/793, 796, 835; 229/905, 906, 925, 926, 229/400, 401, 403-407, 779, 149, 114, 243, 229/247, 910, 112, 902

CPC B65D 5/4204; B65D 5/2047; B65D 5/321; B65D 5/48018; B65D 5/6655

See application file for complete search history.

(56) **References Cited**

U.S. PATENT DOCUMENTS

2,019,870 A *	11/1935	Perry	B65D 5/321
				229/114
D106,826 S *	11/1937	Dieffenbach	D9/418
D126,123 S *	3/1941	Clemens	D9/418
2,409,736 A *	10/1946	Caimi	B65D 5/4204
				229/114

(Continued)

OTHER PUBLICATIONS

Inno-Pak is Staying Put, available Jun. 13, 2015, [online], [site visited Dec. 11, 2015]. Available from internet, <URL: http://delgazette.com/news/295/inno-pak-is-staying-put.*

(Continued)

Primary Examiner — Cathron Brooks

Assistant Examiner — Teddy Falloway

(74) *Attorney, Agent, or Firm* — Ward and Smith, P.A.; Ryan K. Simmons

(57) **CLAIM**

The ornamental design for a closeable container, as shown and described.

DESCRIPTION

FIG. 1 is a perspective view of a closeable container showing a new design;

FIG. 2 is a left side elevation view thereof, the right side being a mirror image;

FIG. 3 is a front elevation view thereof;

FIG. 4 is a rear elevation view thereof;

FIG. 5 is a top plan view thereof;

FIG. 6 is a bottom plan view thereof;

FIG. 7 is another perspective view thereof, showing the closeable container in an open configuration;

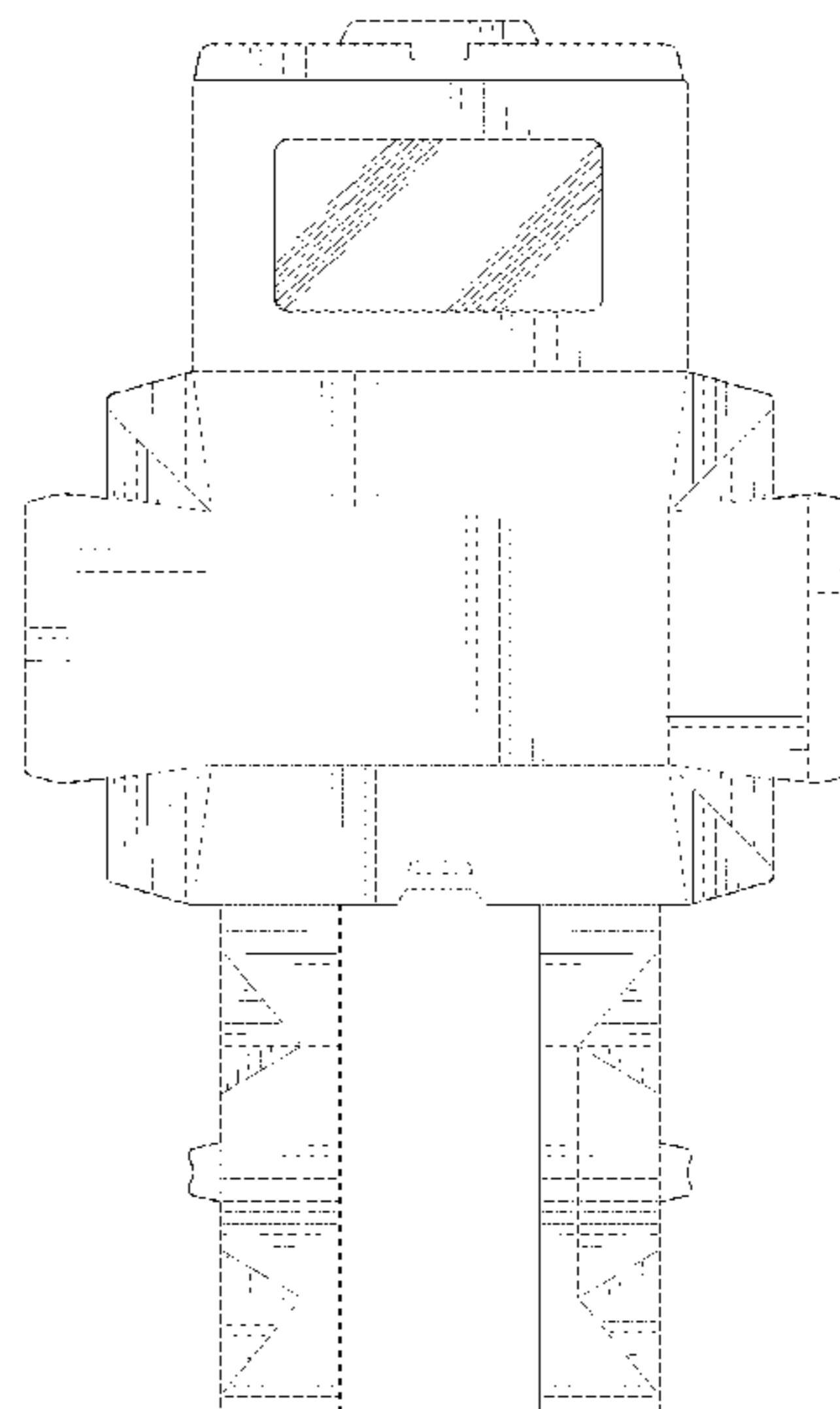
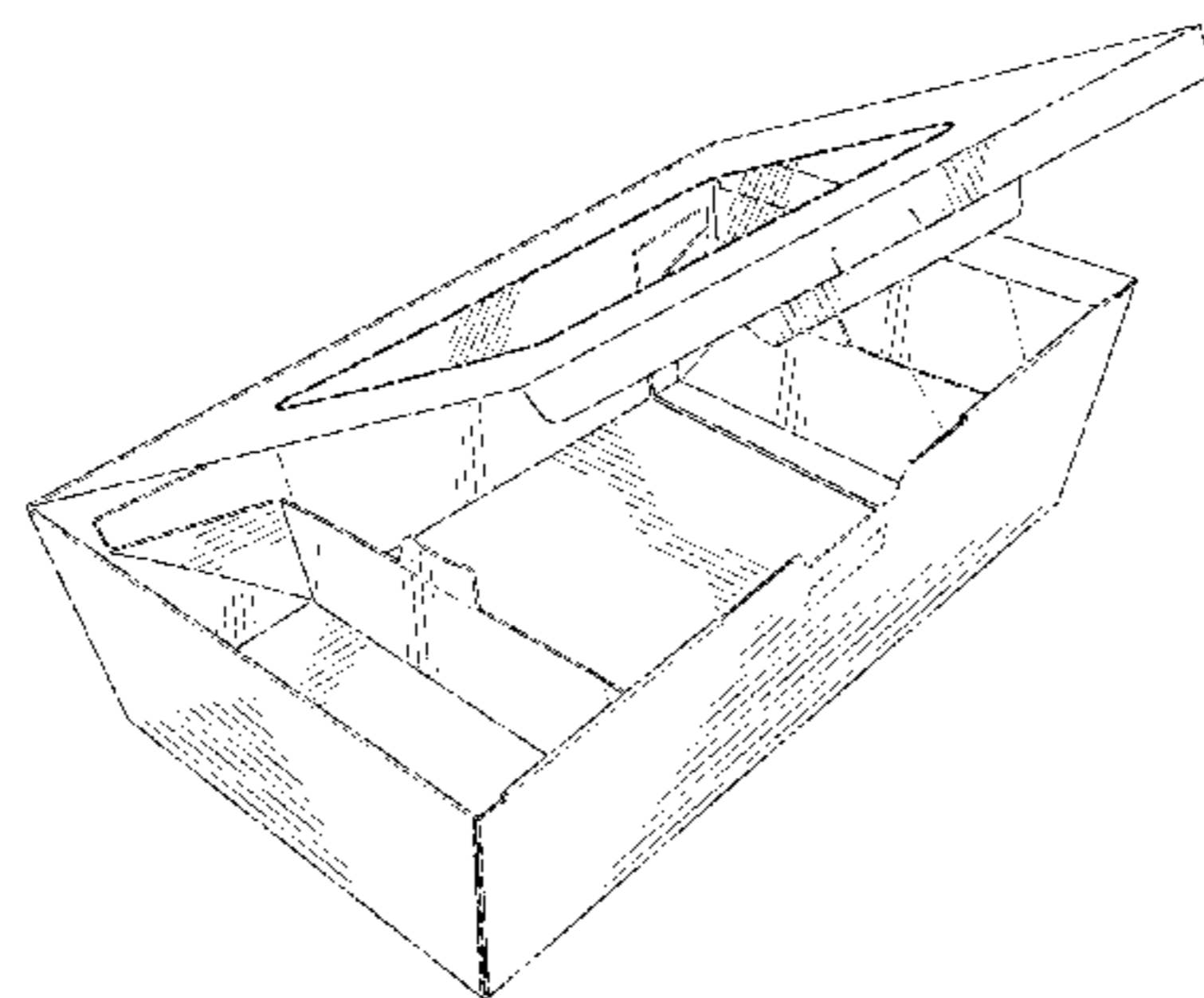
FIG. 8 is another top plan view thereof, showing the closeable container in a blank configuration;

FIG. 9 is another left side elevation view thereof, but shown in an alternate configuration, the right side being a mirror image; and,

FIG. 10 is a perspective thereof, shown in an open configuration.

The dashed lines shown are included for the purpose of illustrating portions of the closeable container that form no part of the claimed design.

1 Claim, 10 Drawing Sheets



(56)

References Cited

U.S. PATENT DOCUMENTS

2,568,170 A * 9/1951 Ringler B65D 5/4204
 229/149
 3,853,220 A * 12/1974 Luray B65D 81/075
 206/466
 D255,011 S * 5/1980 Cooper D9/433
 D409,908 S * 5/1999 Besana D9/415
 D484,799 S * 1/2004 Hoffman D9/433
 D675,920 S * 2/2013 Sill D9/432
 D678,761 S * 3/2013 Cooper D9/418
 D679,950 S * 4/2013 Cooper D7/538
 D691,035 S * 10/2013 Sill D9/418
 D693,215 S * 11/2013 Sill D9/418
 D693,216 S * 11/2013 Sill D9/418
 D693,217 S * 11/2013 Sill D9/418
 D693,218 S * 11/2013 Sill D9/418
 D693,679 S * 11/2013 Sill D9/423
 D706,132 S * 6/2014 Sill D9/432
 8,939,350 B2 * 1/2015 Valencia B65D 5/244
 229/103.3
 D727,732 S * 4/2015 Petty D9/415
 9,211,970 B2 * 12/2015 Hubbard, Jr. B65D 5/6644
 9,216,837 B2 * 12/2015 Hubbard B65D 5/2047

D752,429 S * 3/2016 Mayer D9/420
 9,309,023 B2 * 4/2016 Hubbard, Jr. B65D 5/2076
 2005/0051461 A1 * 3/2005 Bryant B65D 5/2047
 206/769
 2014/0263353 A1 * 9/2014 Bell B65D 25/06
 220/531
 2016/0107830 A1 * 4/2016 Baryshyan B65D 5/4204
 229/126

OTHER PUBLICATIONS

Southern Champion Tray Window Bakery Box, available Mar. 15, 2013, [online], [site visited Dec. 11, 2015]. Available from internet, <URL: http://www.amazon.com/gp/product/B008WCWJ9S/ref=s9_zwish_hd_bw_g328_i1?pf_rd_m=ATVPDKIKX0DER&pf_rd_s=merchandise-search-5&pf_rd_r=0F299N2PNPMAY8WZM12D&pf_rd_t=101&pf_rd_p=2223275202&pf_rd_i=5016466011>.*
 Natural Kraft Windowed Boxes, available Oct. 4, 2014, [online], [site visited Dec. 11, 2015]. Available from internet, <URL: <http://www.splashpackaging.com/Natural-Kraft-Window-Bakery-Boxes>>.*

* cited by examiner

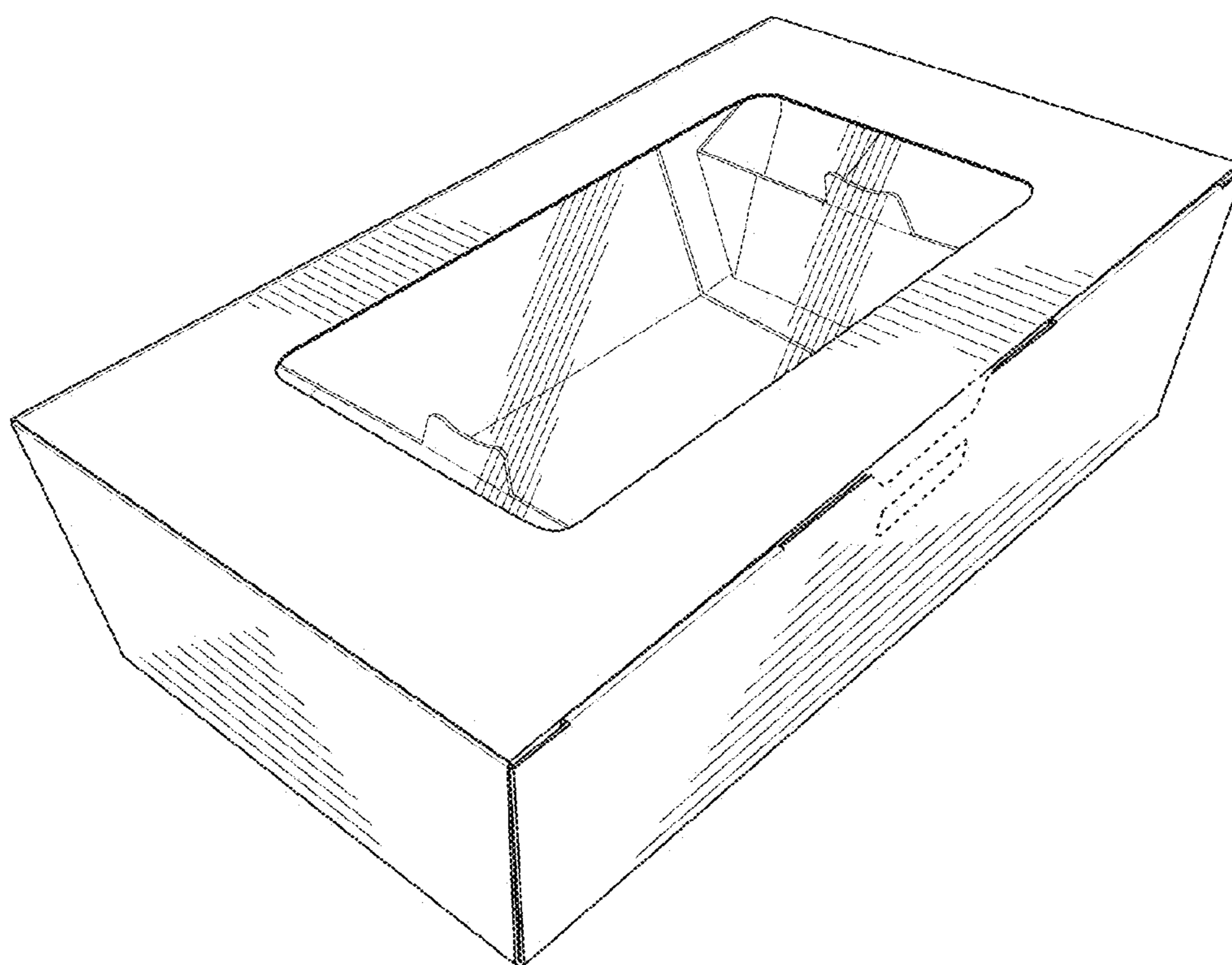


FIG. 1

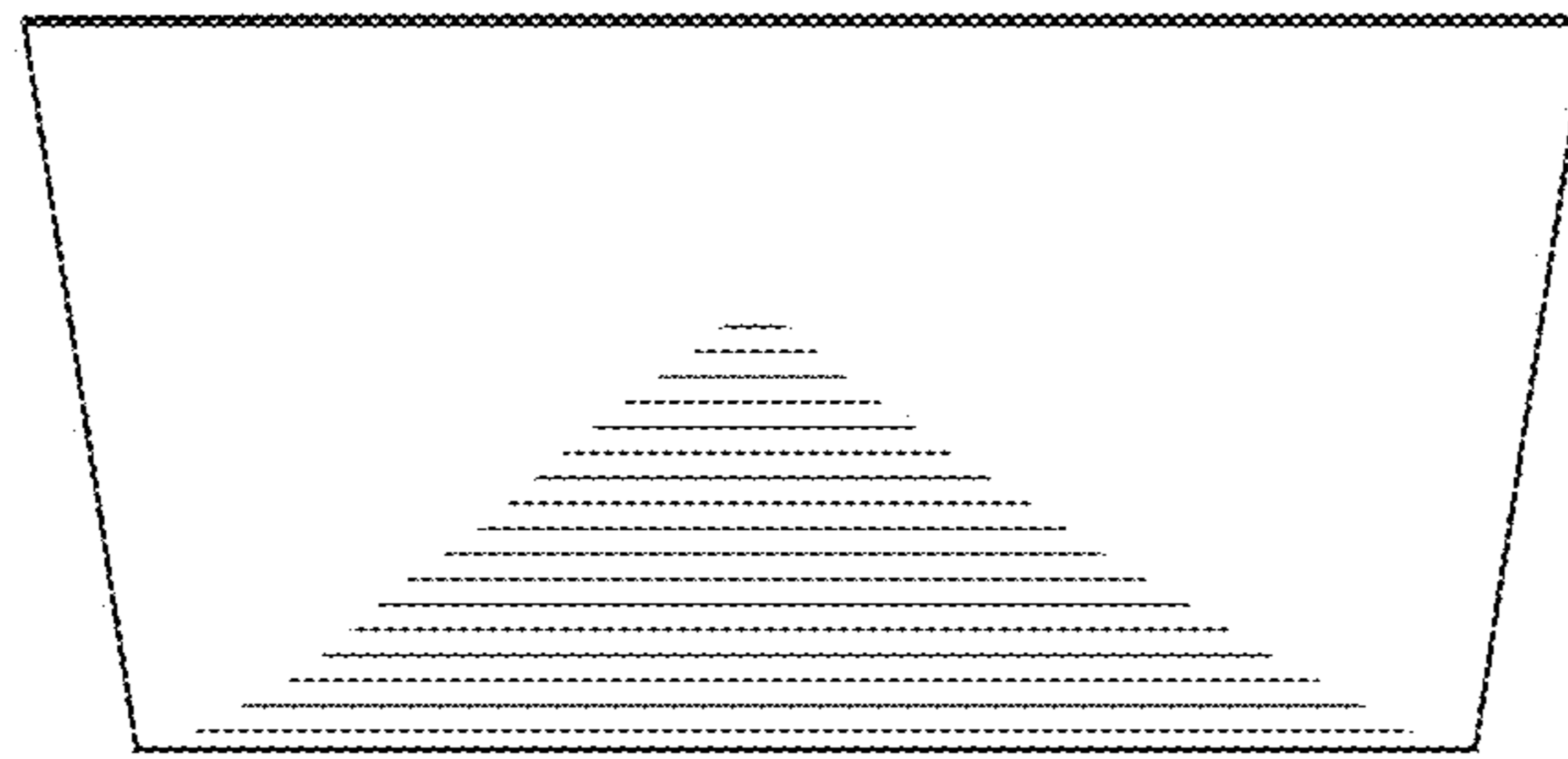


FIG. 2

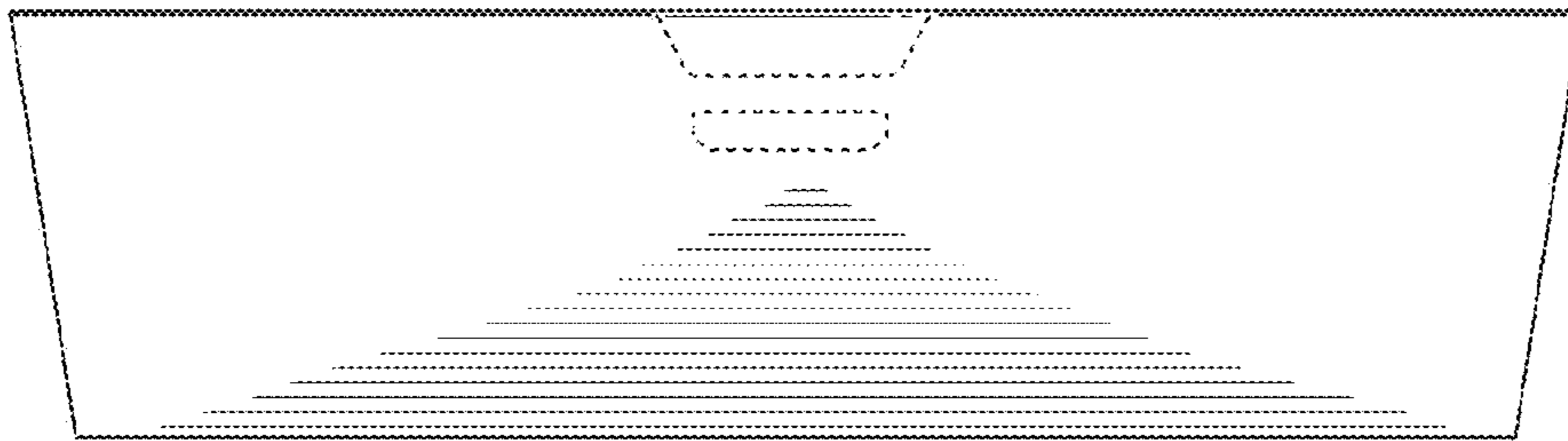


FIG. 3

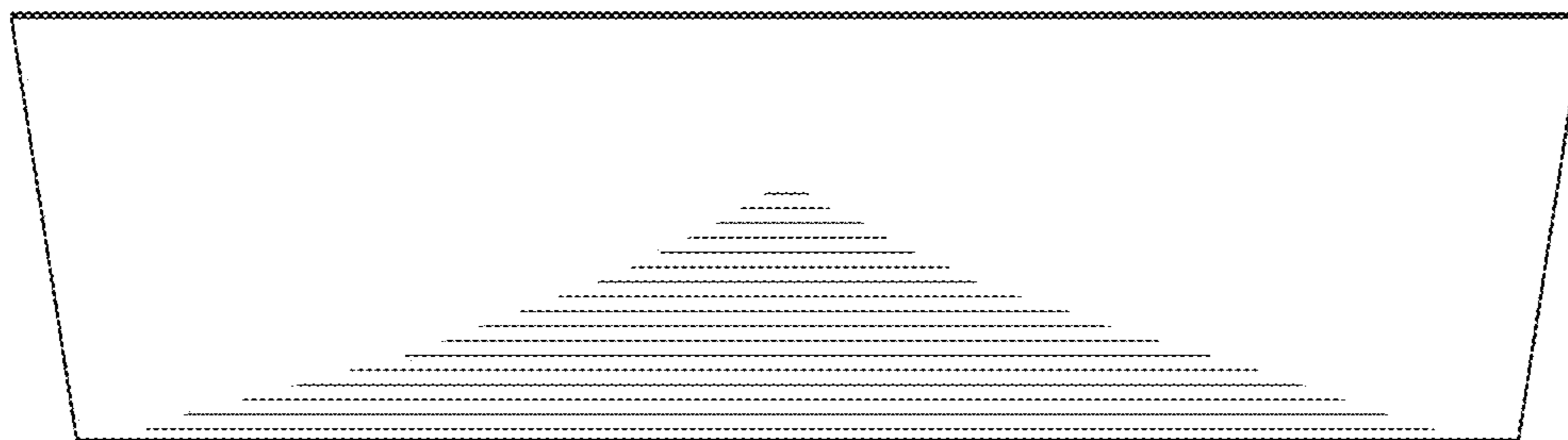


FIG. 4

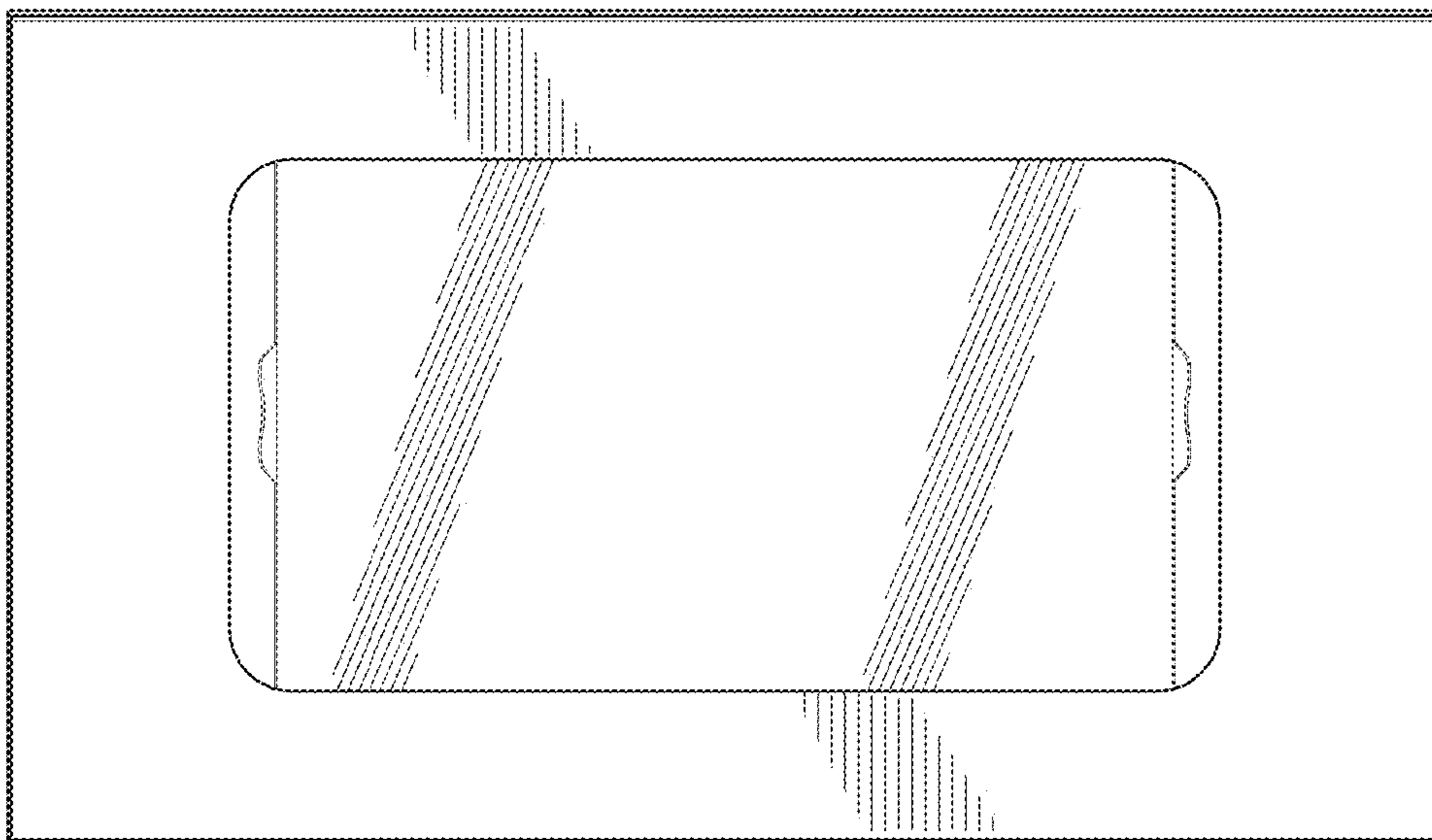


FIG. 5

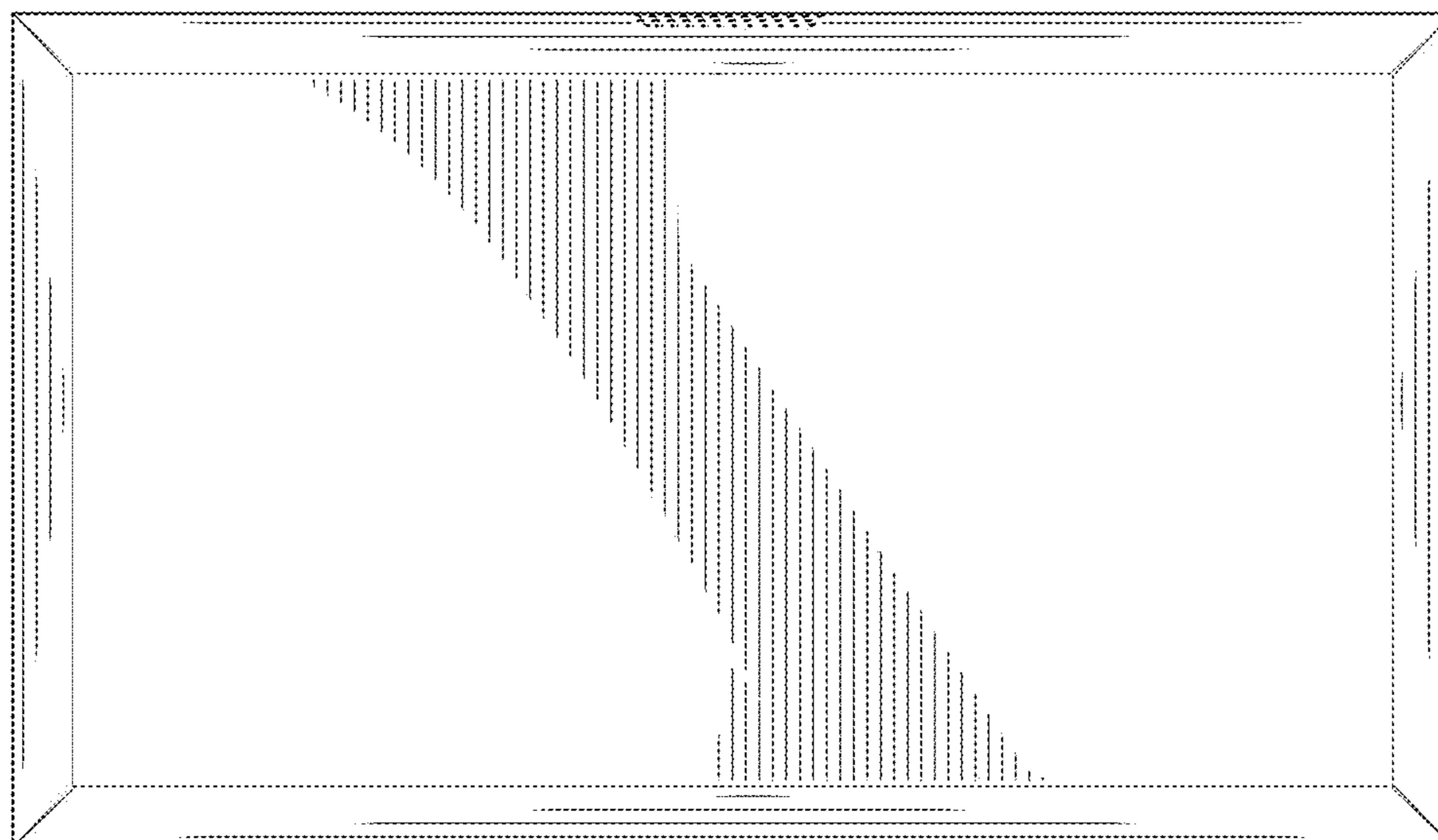


FIG. 6

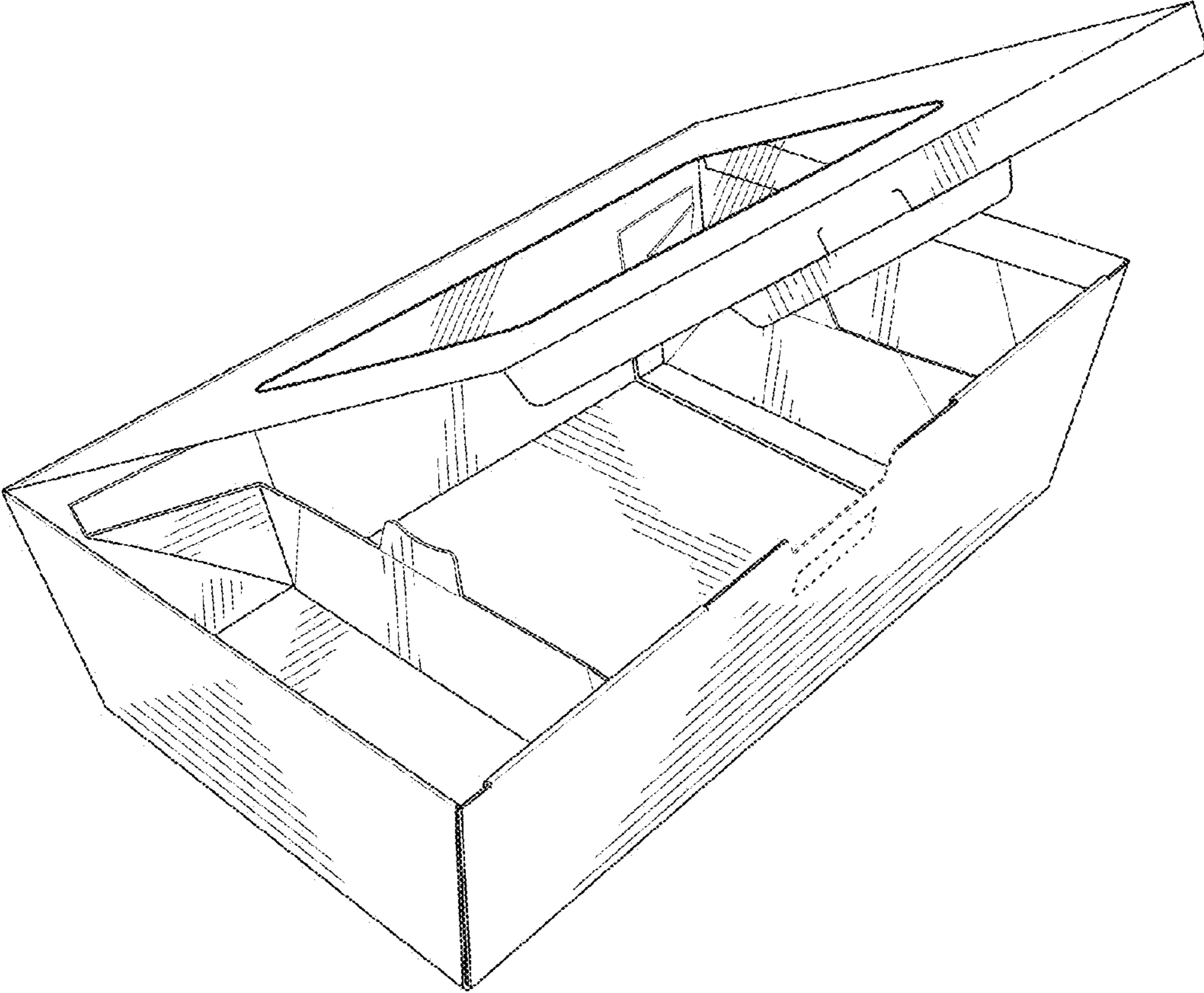


FIG. 7

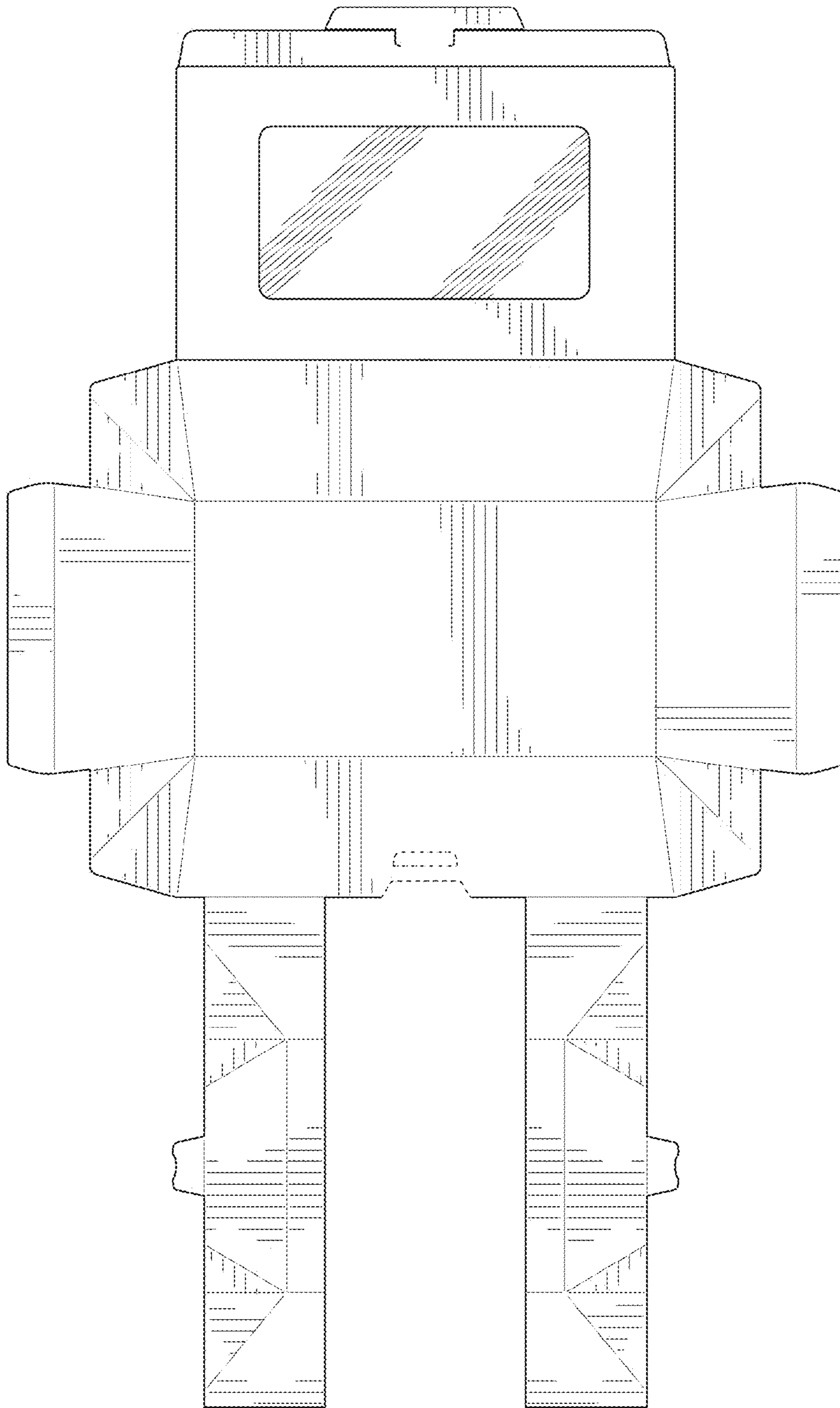


FIG. 8

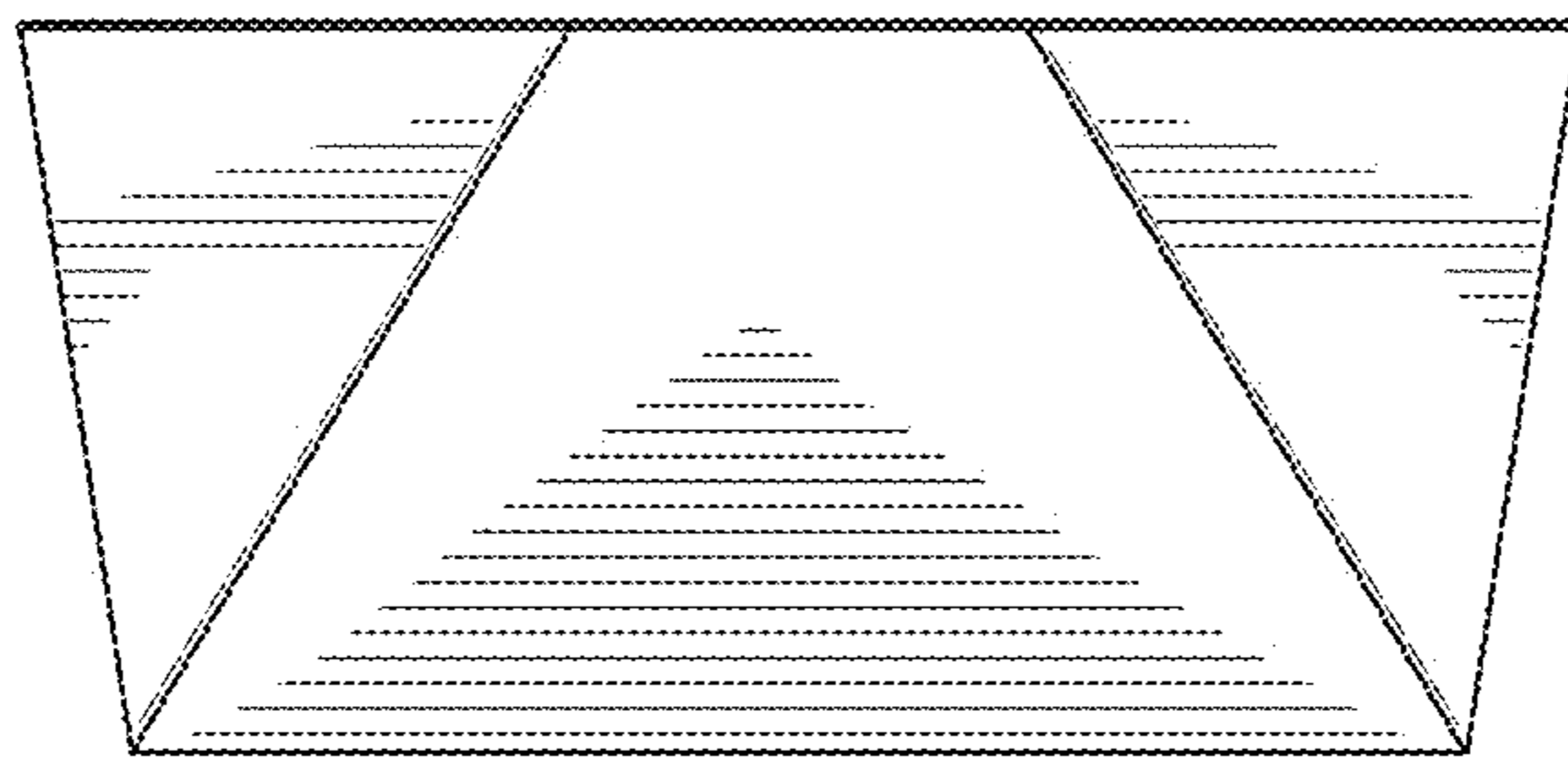


FIG. 9

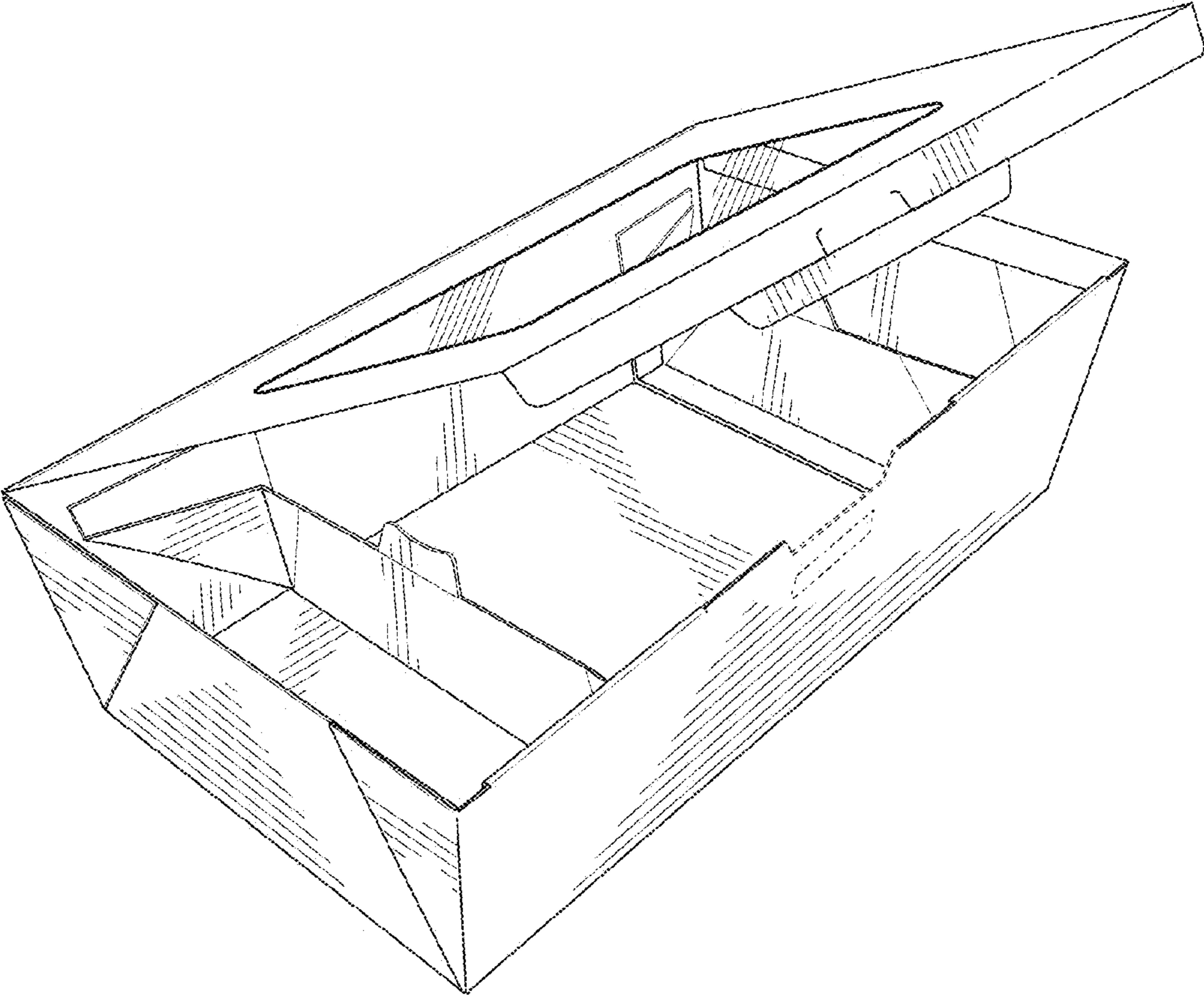


FIG. 10