



US00D772051S

(12) **United States Design Patent** (10) **Patent No.:** **US D772,051 S**
Martin (45) **Date of Patent:** **** Nov. 22, 2016**

(54) **PANIC DOOR BAR COVER AND BRACKET**
(71) Applicant: **Robert A. Martin**, El Cajon, CA (US)
(72) Inventor: **Robert A. Martin**, El Cajon, CA (US)
(73) Assignee: **RAMGAP TECHNOLOGIES INC.**,
Laughlin, NV (US)

(**) Term: **15 Years**

(21) Appl. No.: **29/533,133**

(22) Filed: **Jul. 14, 2015**

(51) **LOC (10) Cl.** **08-09**

(52) **U.S. Cl.**
USPC **D8/400; D8/346**

(58) **Field of Classification Search**
USPC D8/330, 331, 338, 340, 341, 343, 346,
D8/403, 400; 70/14, 57, 57.1, 51, 52, 54,
70/55, 111, 158, 229-232, DIG. 26,
70/DIG. 56, 416, 211, 258, 168, DIG. 43,
70/DIG. 14; 292/2, 243, 253, 289, 346,
292/288, 307 B
CPC E05B 13/00; E05B 15/00; E05B 17/00
See application file for complete search history.

(56) **References Cited**

U.S. PATENT DOCUMENTS

D178,218 S * 7/1956 Blanchard D8/400
5,031,945 A * 7/1991 Toledo E05B 9/08
292/336.3
5,040,835 A * 8/1991 Barker E05C 19/004
292/338
D321,471 S * 11/1991 Stumpf D8/381
5,467,903 A * 11/1995 Sorensen G01F 11/261
222/455

5,531,138 A * 7/1996 Vetter E05F 11/34
49/324
D390,444 S * 2/1998 Wintone D8/337
D396,407 S * 7/1998 Jennings D8/400
D506,127 S * 6/2005 Vetter D8/400
D526,557 S * 8/2006 Falconer D8/346
D533,446 S * 12/2006 Vetter D8/400
D739,707 S * 9/2015 Noel D8/346
9,303,425 B1 * 4/2016 Galloway E04H 15/001

* cited by examiner

Primary Examiner — Prabhakar Deshmukh

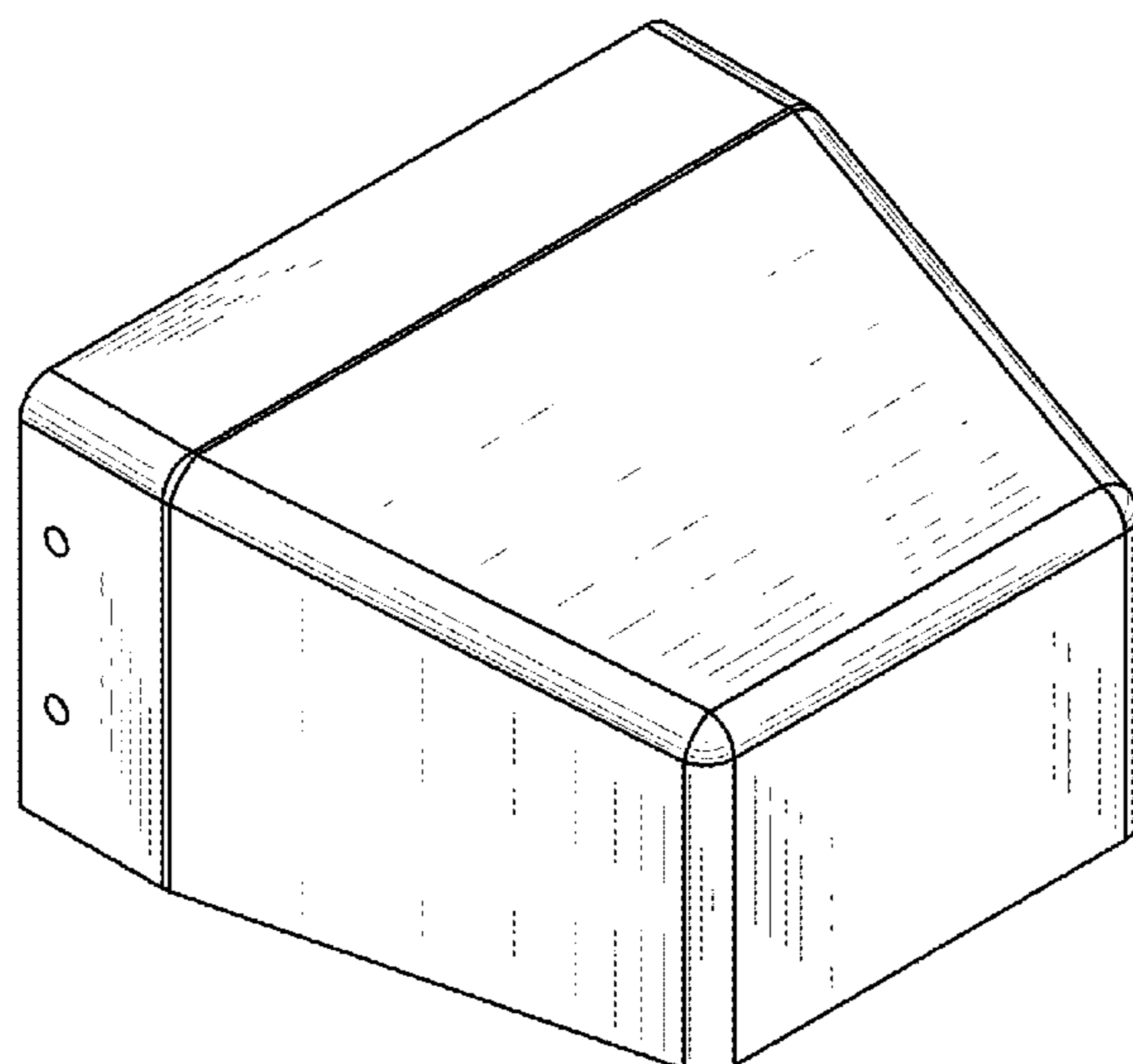
(57) **CLAIM**

The ornamental design for a panic door bar cover and bracket, as shown and described.

DESCRIPTION

FIG. 1 is a perspective view of a panic door bar cover and bracket showing my new design;
FIG. 2 is a top plan view thereof;
FIG. 3 is a bottom plan view thereof;
FIG. 4 is a front elevational view thereof;
FIG. 5 is a rear elevational view thereof;
FIG. 6 is a right side elevational view thereof;
FIG. 7 is a left side elevational view thereof;
FIG. 8 is an exploded perspective view thereof;
FIG. 9 is a top plan view of FIG. 8;
FIG. 10 is a bottom plan view of FIG. 8;
FIG. 11 is a front elevational view of FIG. 8;
FIG. 12 is a perspective view thereof, shown in environmental use, without bracket; and,
FIG. 13 is a top plan view of FIG. 12.
The broken lines showing of a panic door and attachment tabs in FIGS. 12 and 13 are include for the purpose of illustrating environmental structure and forms no part of the claimed design.

1 Claim, 13 Drawing Sheets



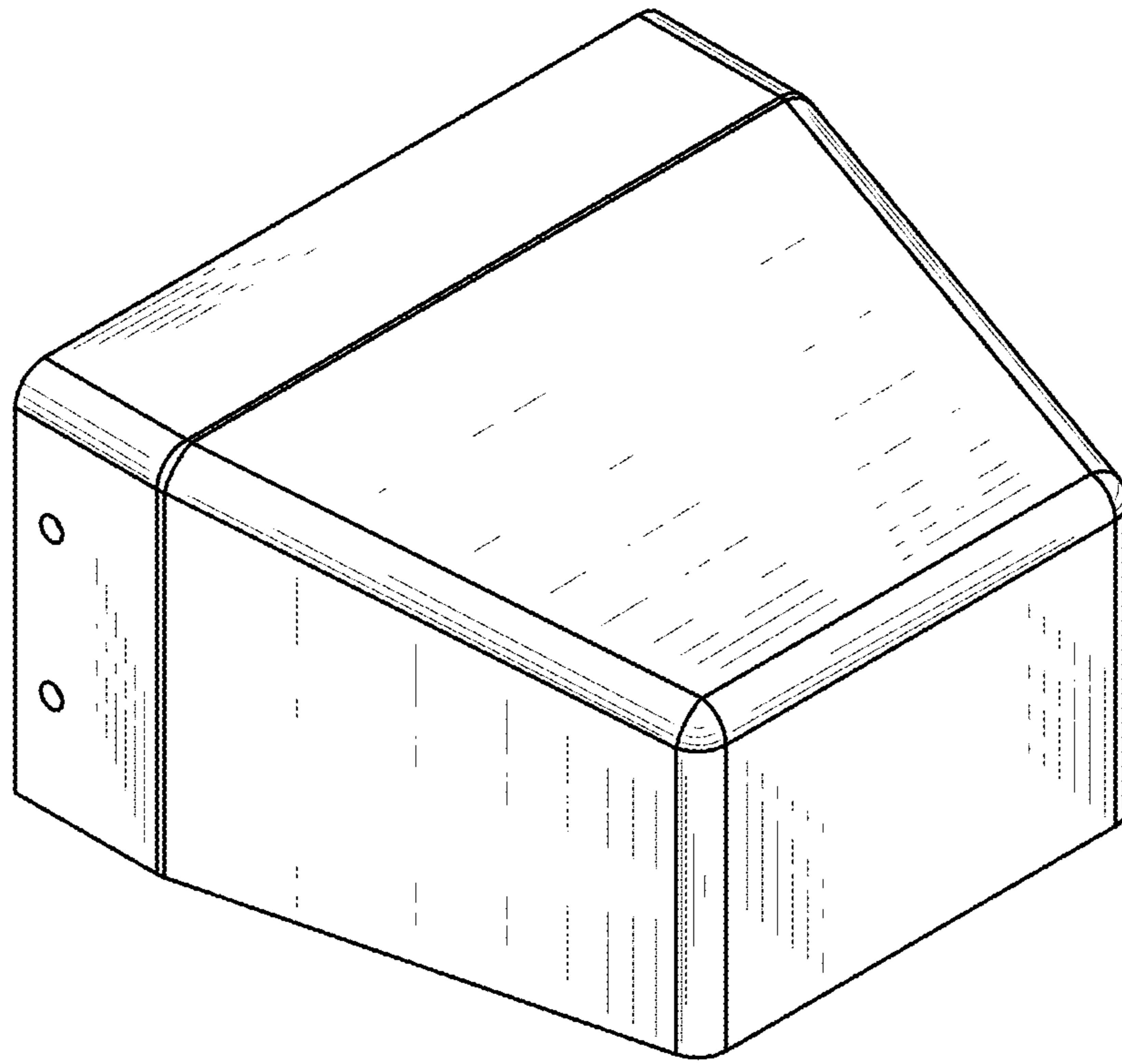


FIG. 1

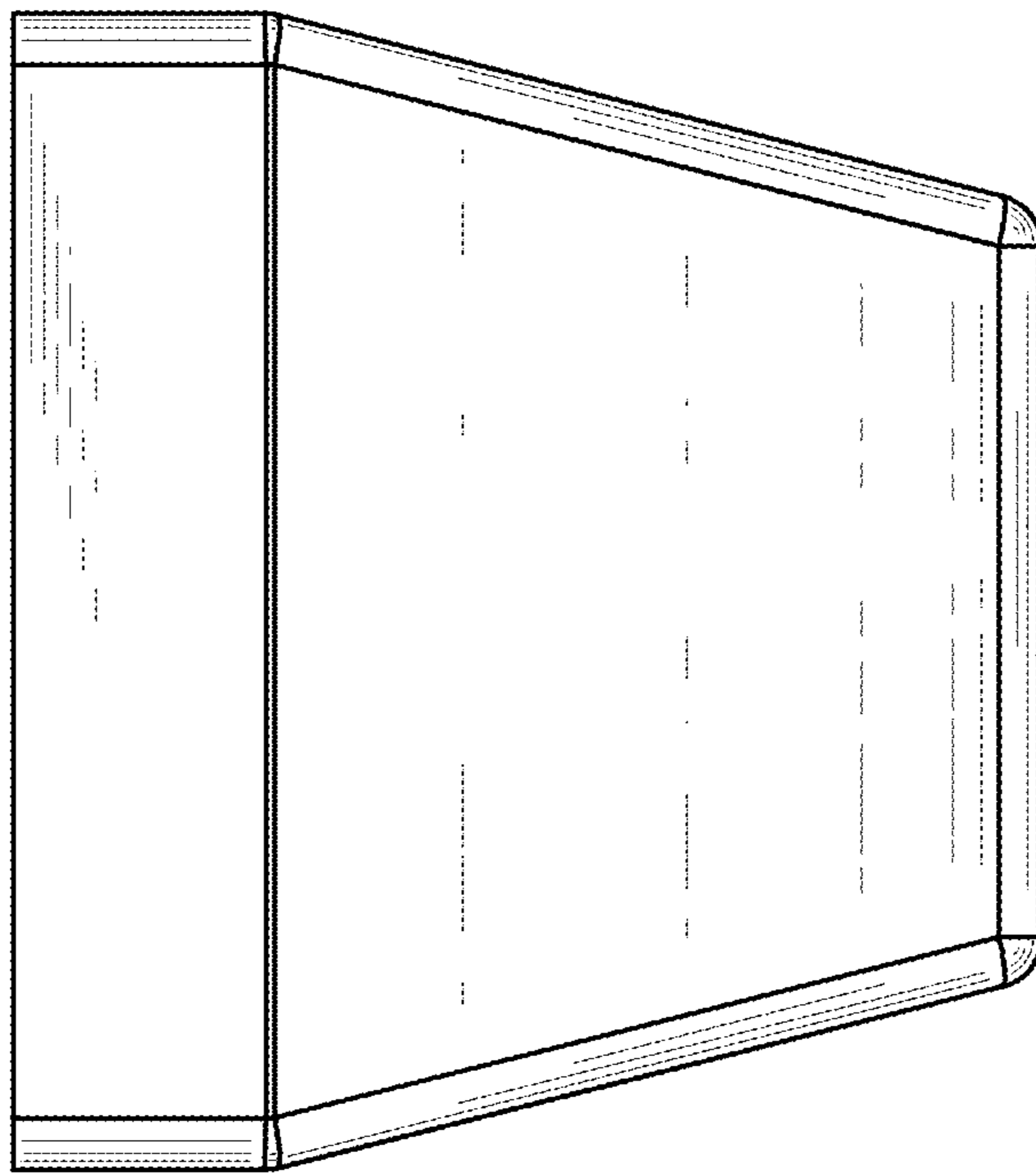


FIG. 2

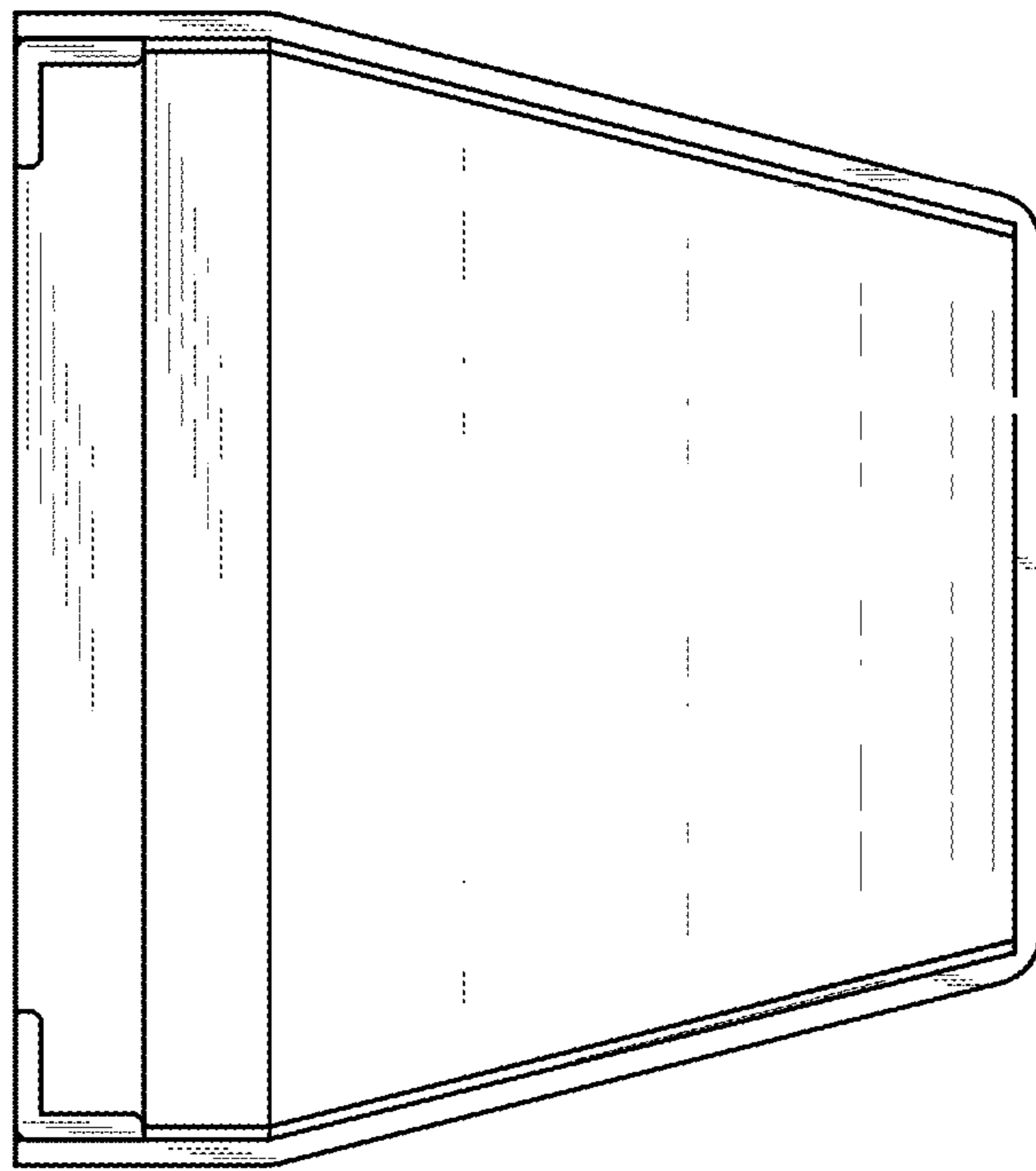


FIG. 3

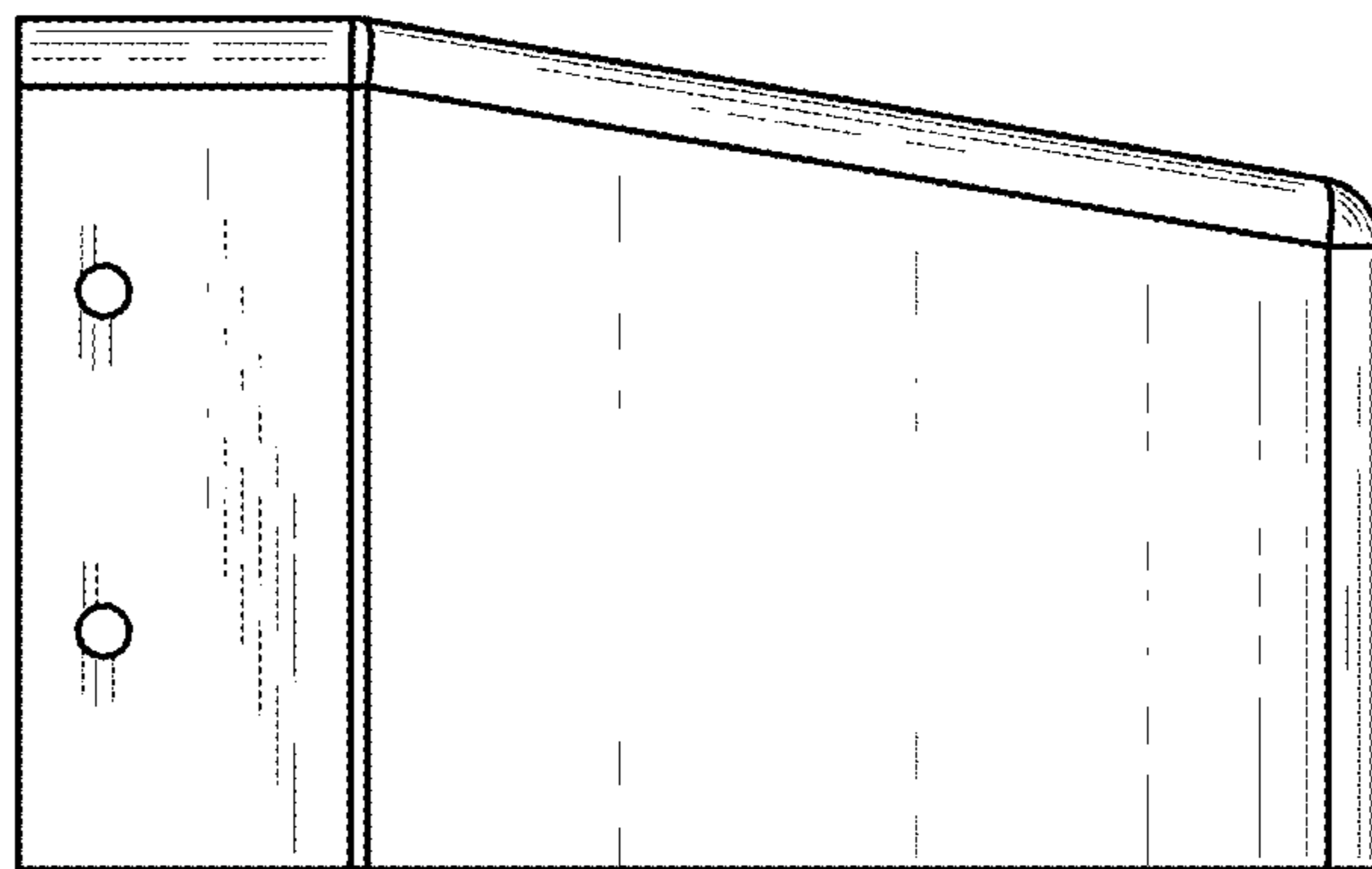


FIG. 4

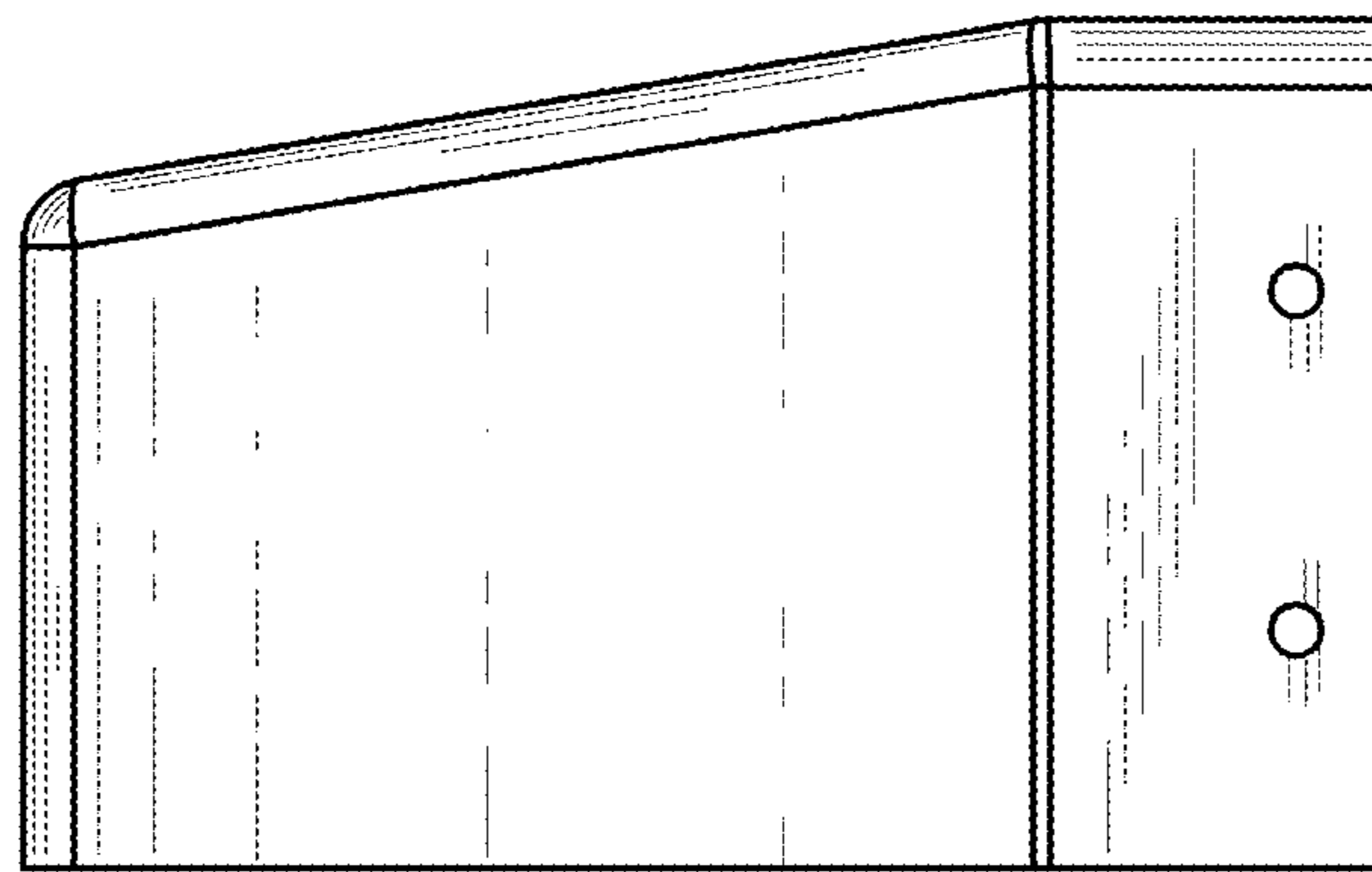


FIG. 5

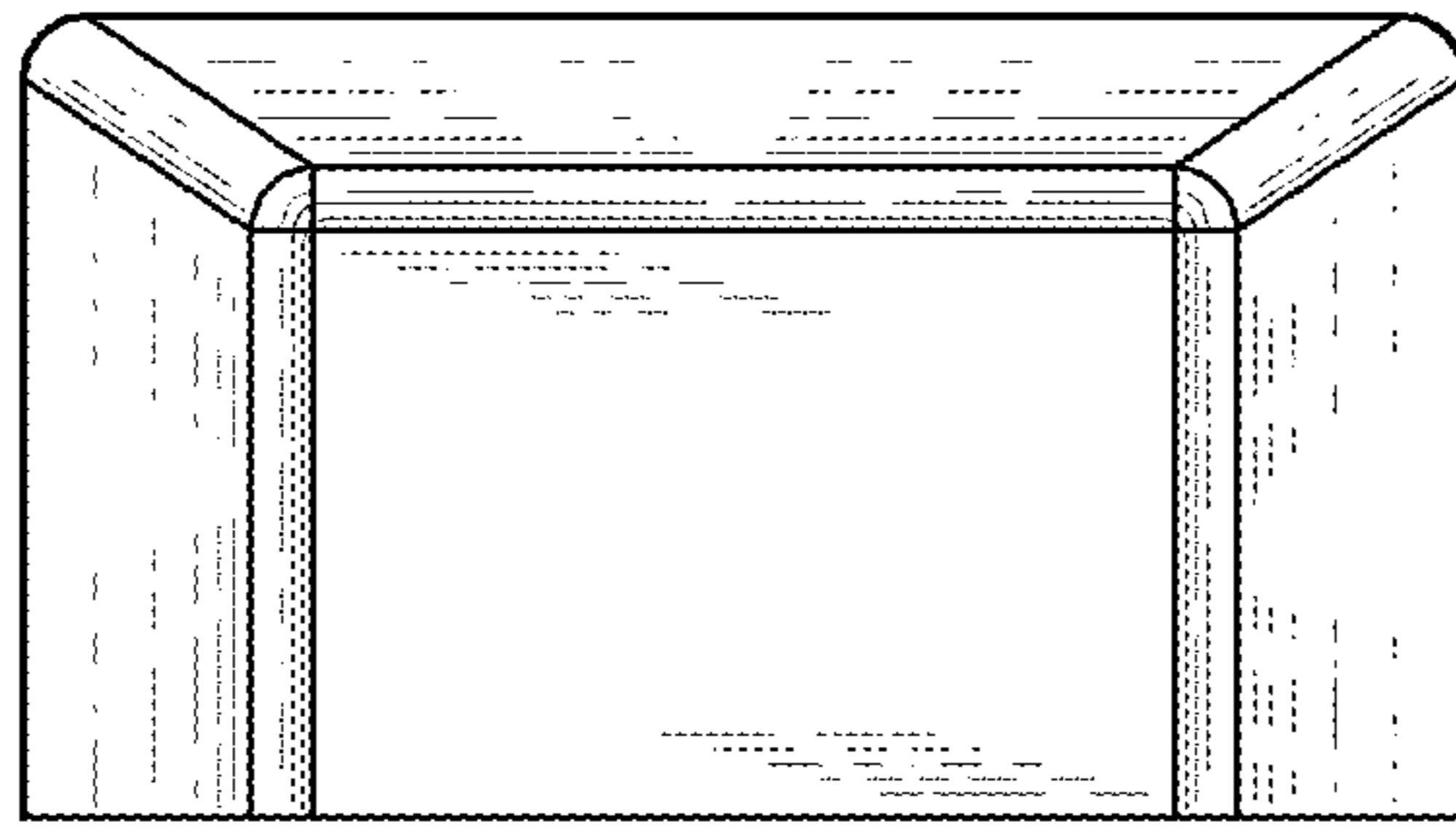


FIG. 6

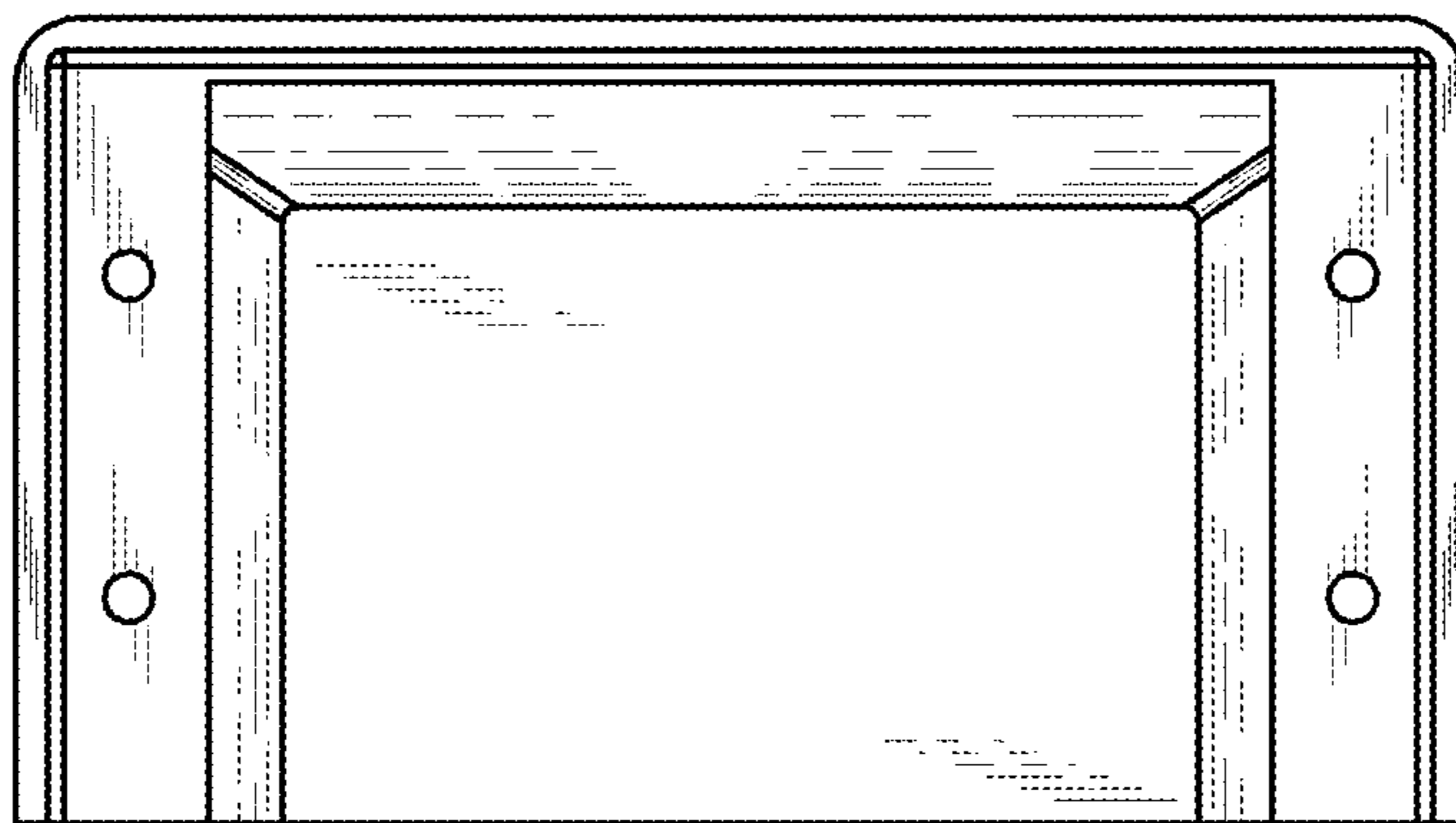


FIG. 7

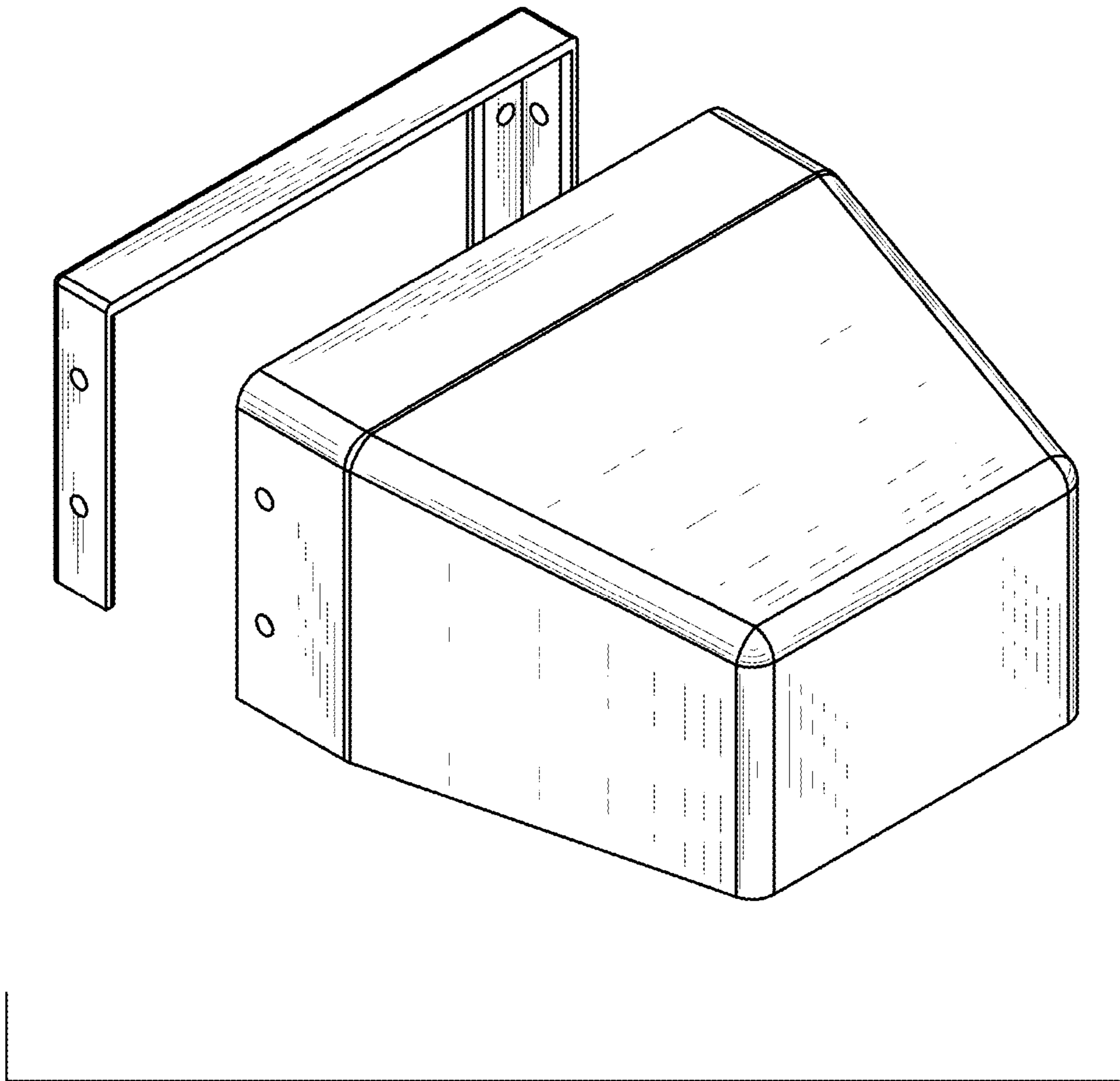


FIG. 8

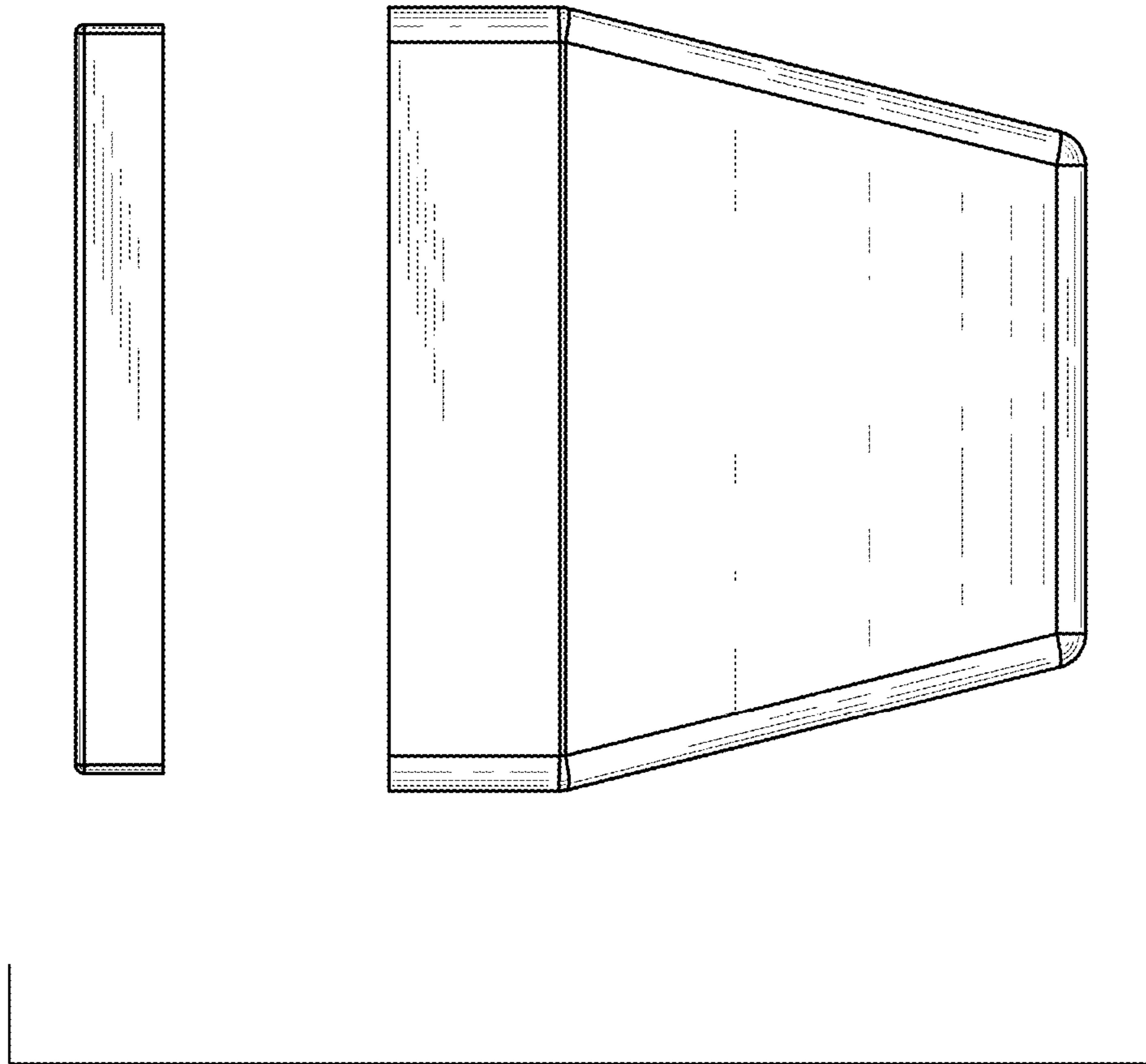


FIG. 9

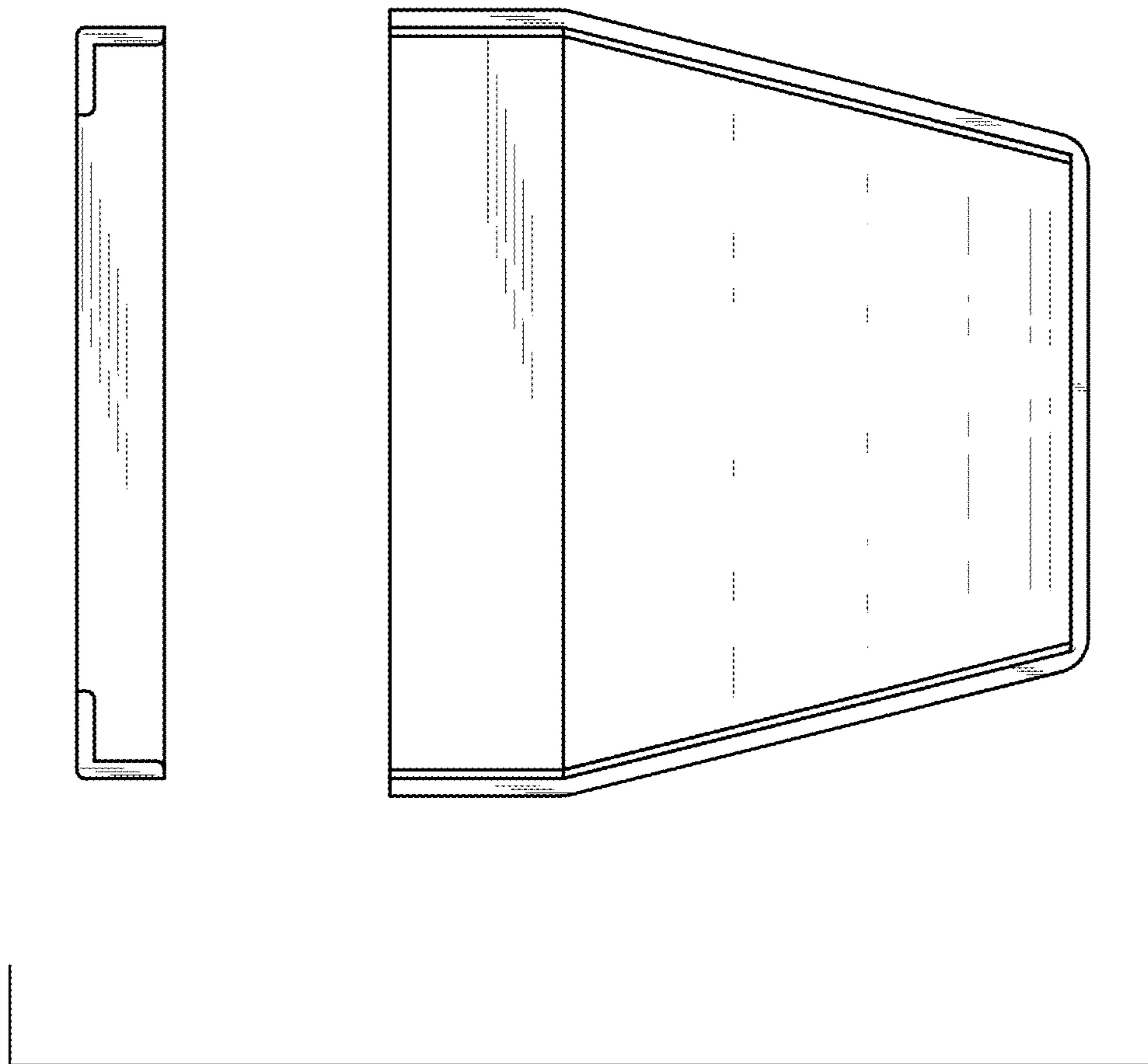


FIG. 10

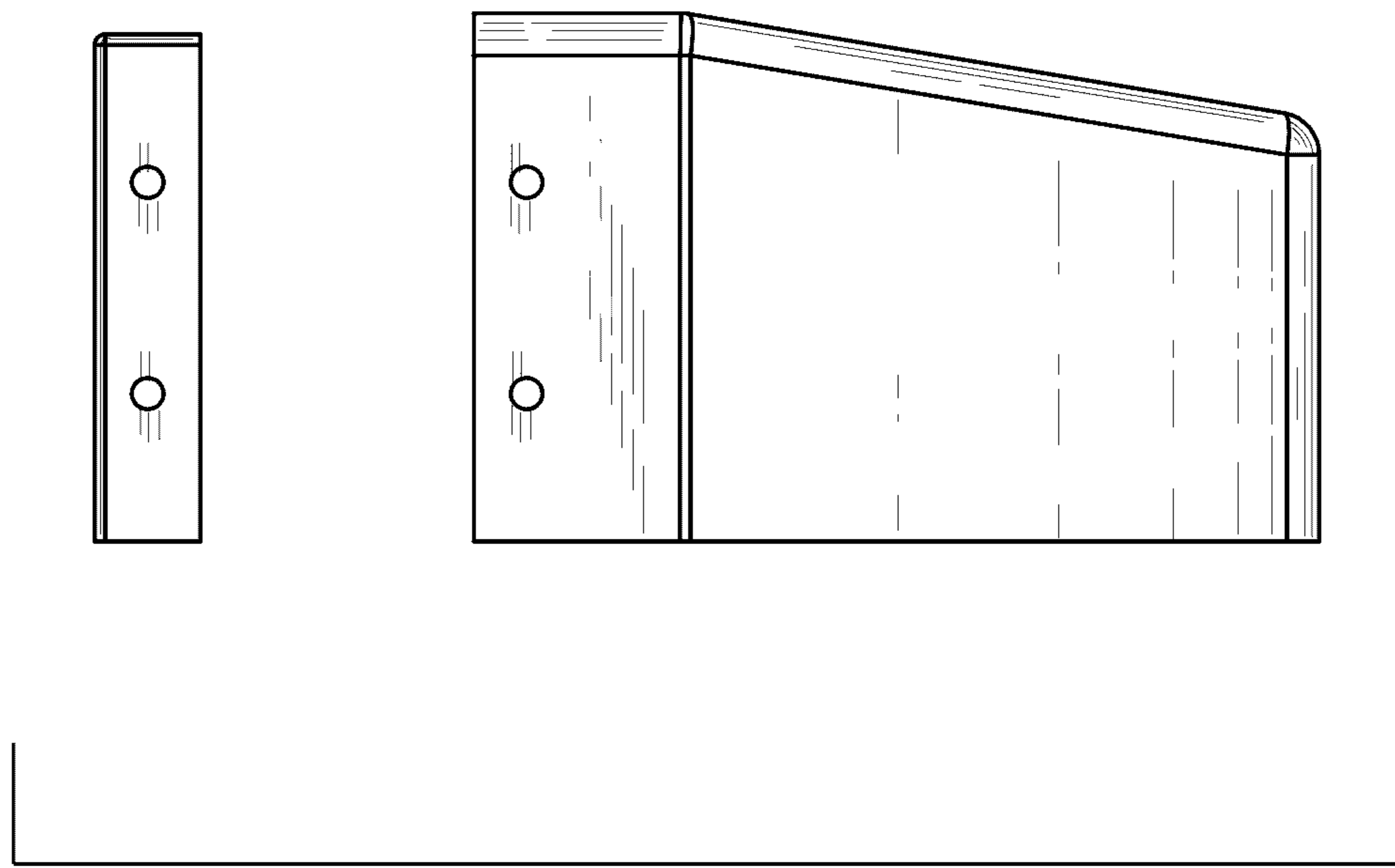


FIG. 11

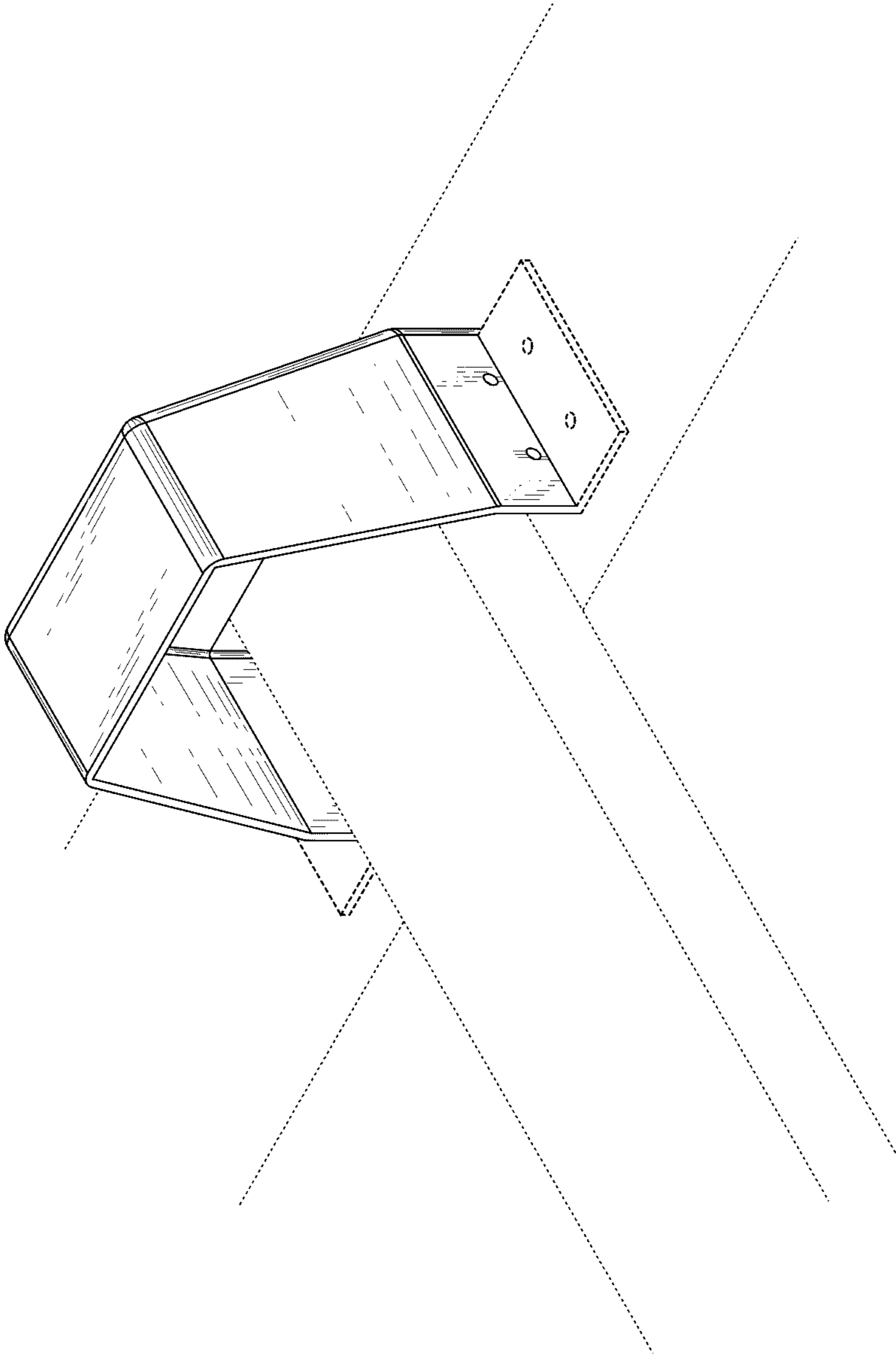


FIG. 12

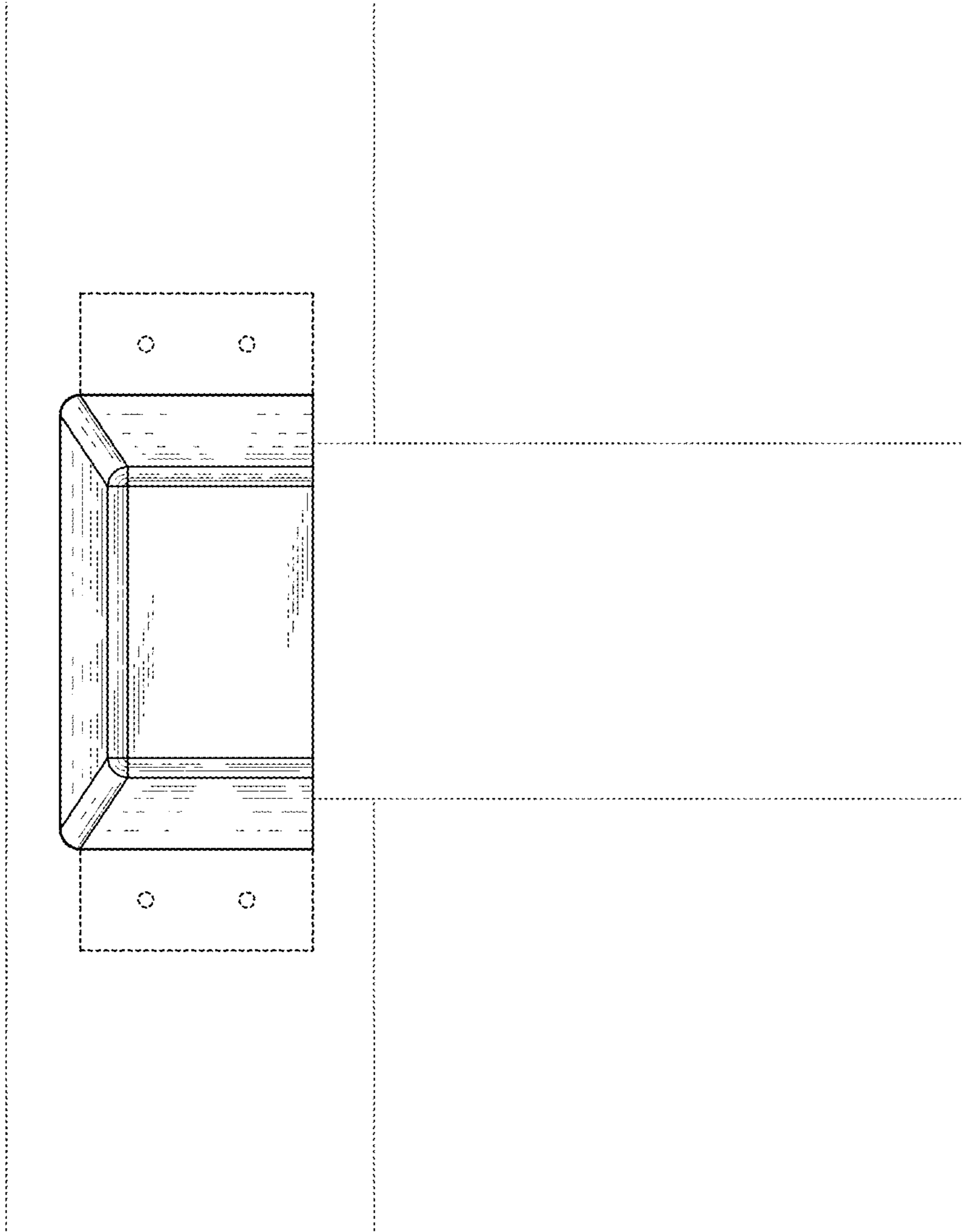


FIG. 13