



US00D772045S

(12) **United States Design Patent** (10) **Patent No.:** **US D772,045 S**
McCoy (45) **Date of Patent:** **** Nov. 22, 2016**

- (54) **SPACER**
- (71) Applicant: **Underground Devices, Inc.**,
Northbrook, IL (US)
- (72) Inventor: **Donald P McCoy**, Lake Forest, IL (US)
- (73) Assignee: **Underground Devices, Inc.**,
Northbrook, IL (US)
- (**) Term: **15 Years**
- (21) Appl. No.: **29/568,474**
- (22) Filed: **Jun. 18, 2016**
- (51) **LOC (10) Cl.** **08-05**
- (52) **U.S. Cl.**
USPC **D8/380; D8/354**
- (58) **Field of Classification Search**
USPC D8/380, 354, 356, 63; 248/68.1, 73
CPC F16L 3/2235; F16L 3/23; F16L 5/00
See application file for complete search history.

3,765,629 A	10/1973	Voelker et al.
3,783,907 A	1/1974	Skinner
3,856,246 A	12/1974	Sinko
3,964,707 A	6/1976	Lewis
4,093,076 A	6/1978	Newton
4,099,626 A	7/1978	Magnussen, Jr.
4,114,241 A	9/1978	Bisping
4,183,484 A	1/1980	Mathews
4,244,542 A	1/1981	Mathews
4,306,697 A	12/1981	Mathews
D265,052 S	6/1982	Husted
4,601,447 A	7/1986	McFarland
4,618,114 A	10/1986	McFarland
D296,074 S	6/1988	Seyfarth
5,104,072 A	4/1992	Kuo et al.
5,605,419 A	2/1997	Reinert, Sr.

(Continued)

- (56) **References Cited**
U.S. PATENT DOCUMENTS
- 1,801,451 A * 4/1931 Parker H02G 9/06
138/112
- 1,805,990 A 5/1931 Makowski
- 1,821,234 A 9/1931 Parker
- 2,462,399 A 2/1949 Hinchman
- D165,901 S 2/1952 Bloom et al.
- 2,686,643 A 8/1954 Bloom et al.
- 2,849,027 A 8/1956 Tetyak
- 2,932,687 A 4/1960 Cook
- 2,937,833 A 5/1960 Sachs
- 3,310,906 A * 3/1967 Glukes A63H 33/065
405/16
- 3,464,661 A 9/1969 Alesi, Jr.
- 3,523,667 A 8/1970 Guerrero
- 3,531,071 A 9/1970 Kubli
- 3,643,005 A 2/1972 Mathews

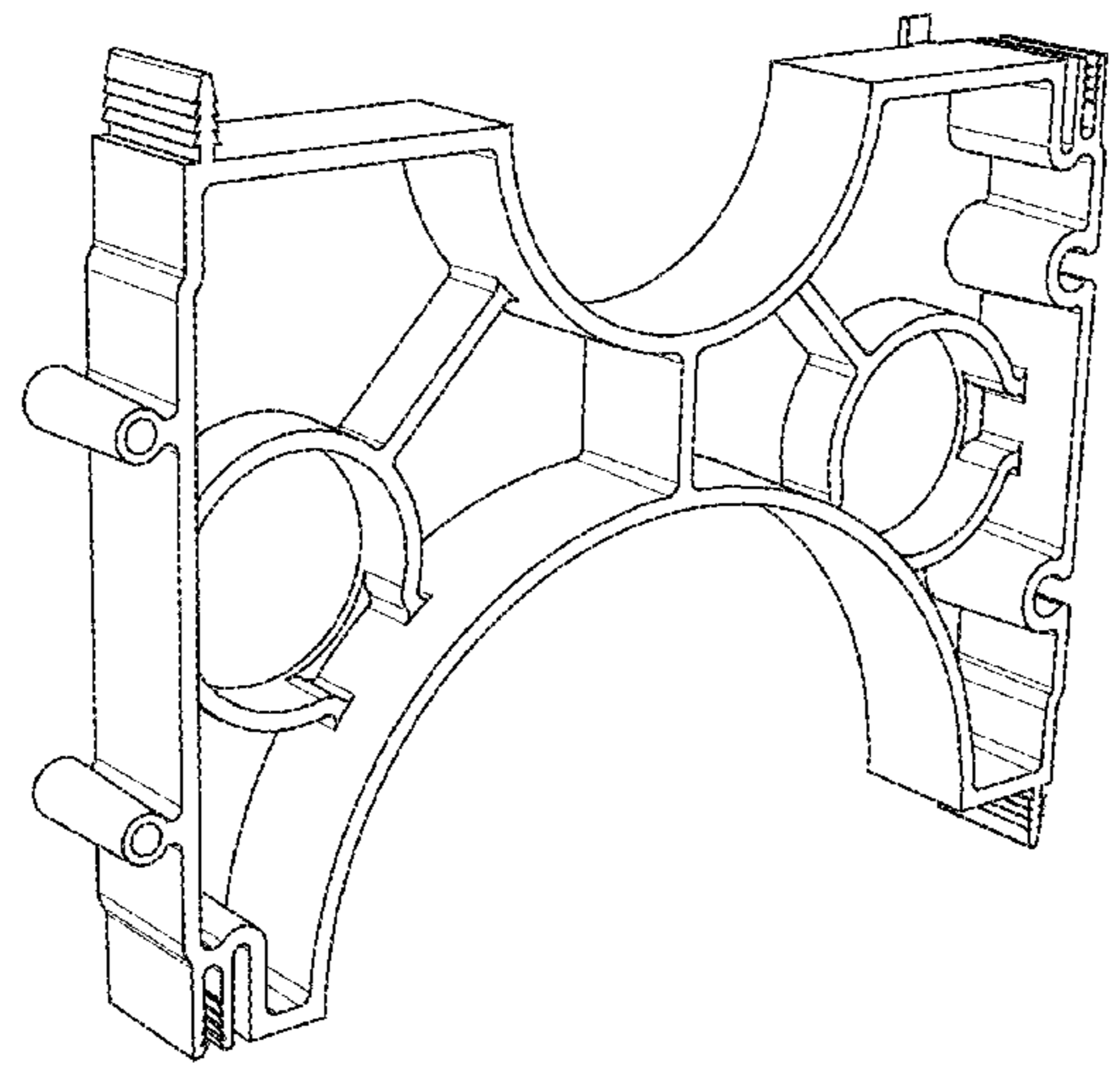
OTHER PUBLICATIONS
Carlton snap-n-stac combo spacers, Apr. 2010, 6 pages.
(Continued)

Primary Examiner — Lakiya Rogers
Assistant Examiner — Harold Blackwell, II
(74) *Attorney, Agent, or Firm* — David W. Okey LLC

(57) **CLAIM**
The ornamental design for a spacer, as shown and described.

DESCRIPTION
FIG. 1 is a front perspective view of a spacer showing my new design;
FIG. 2 is a front elevational view thereof
FIG. 3 is a top plan view thereof;
FIG. 4 is a right side elevational view thereof;
FIG. 5 is a rear elevational view thereof;
FIG. 6 is a bottom plan view thereof; and,
FIG. 7 is a left side elevational view thereof.

1 Claim, 3 Drawing Sheets



(56)

References Cited

OTHER PUBLICATIONS

U.S. PATENT DOCUMENTS

5,827,441 A 10/1998 Solbjorg
 5,992,802 A * 11/1999 Campbell H02G 3/30
 248/68.1
 6,053,456 A 4/2000 Dispenza
 6,378,811 B1 * 4/2002 Potter F16L 3/222
 248/49
 7,080,864 B2 * 7/2006 Casteran B65D 85/20
 211/60.1
 7,223,052 B1 5/2007 Evans
 7,806,629 B2 10/2010 McCoy
 7,828,251 B2 * 11/2010 Tollefson E04B 5/48
 248/49
 7,942,371 B1 5/2011 McCoy
 8,020,811 B2 9/2011 Nelson
 8,074,945 B2 * 12/2011 Schoenau F16L 3/222
 248/316.6
 8,294,030 B2 10/2012 Pollard, Jr.
 8,342,474 B2 1/2013 Gilbreath
 8,783,631 B2 7/2014 McCoy
 8,876,068 B2 11/2014 McCoy
 8,985,529 B2 3/2015 Masters et al.
 9,038,967 B2 * 5/2015 Struck F16L 57/04
 248/68.1
 2009/0224111 A1 * 9/2009 Gilbreath F16L 3/222
 248/68.1

Design U.S. Appl. No. 29/555,342, filed Feb. 20, 2016, Donald P. McCoy.
 Design U.S. Appl. No. 29/555,343, filed Feb. 20, 2016, Donald P. McCoy.
 Design U.S. Appl. No. 29/555,344, filed Feb. 20, 2016, Donald P. McCoy.
 Design U.S. Appl. No. 29/555,345, filed Feb. 20, 2016, Donald P. McCoy.
 Design U.S. Appl. No. 29/555,347, filed Feb. 20, 2016, Donald P. McCoy.
 Design U.S. Appl. No. 29/568,473, filed Jun. 18, 2016, Donald P. McCoy.
 Design U.S. Appl. No. 29/568,475, filed Jun. 18, 2016, Donald P. McCoy.
 Design U.S. Appl. No. 29/568,476, filed Jun. 18, 2016, Donald P. McCoy.
 Design U.S. Appl. No. 29/568,477, filed Jun. 18, 2016, Donald P. McCoy.
 Design U.S. Appl. No. 29/568,479, filed Jun. 18, 2016, Donald P. McCoy.
 Design U.S. Appl. No. 29/568,480, filed Jun. 18, 2016, Donald P. McCoy.
 Design U.S. Appl. No. 29/568,481, filed Jun. 18, 2016, Donald P. McCoy.

* cited by examiner

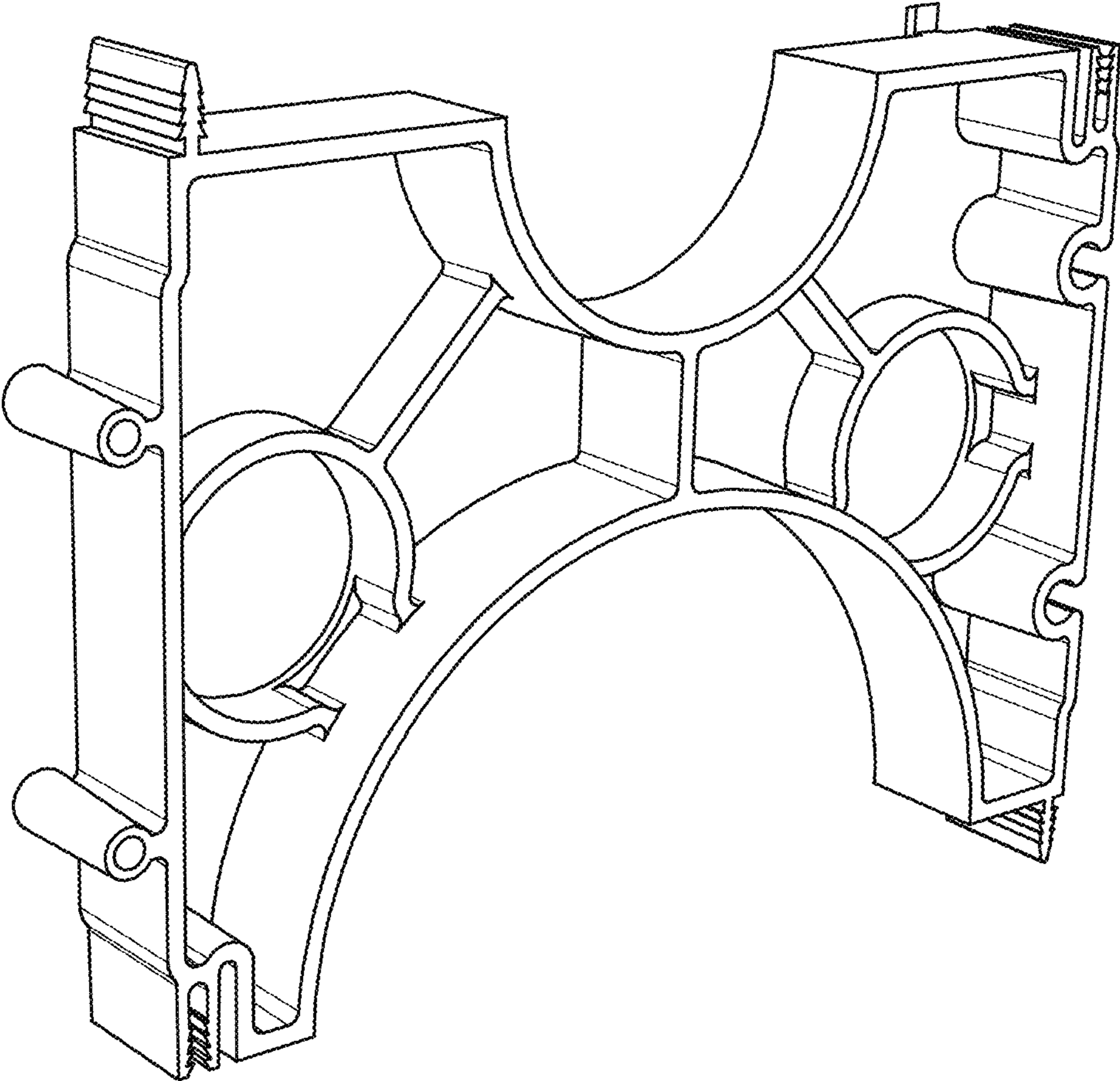


FIG. 1

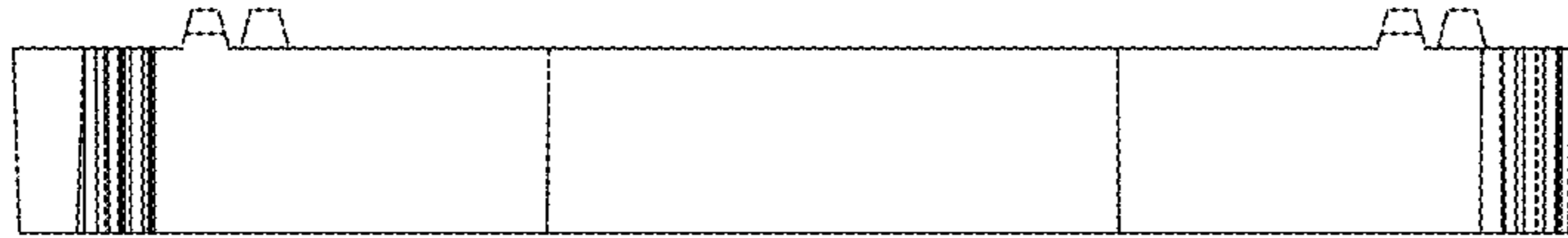


FIG. 3

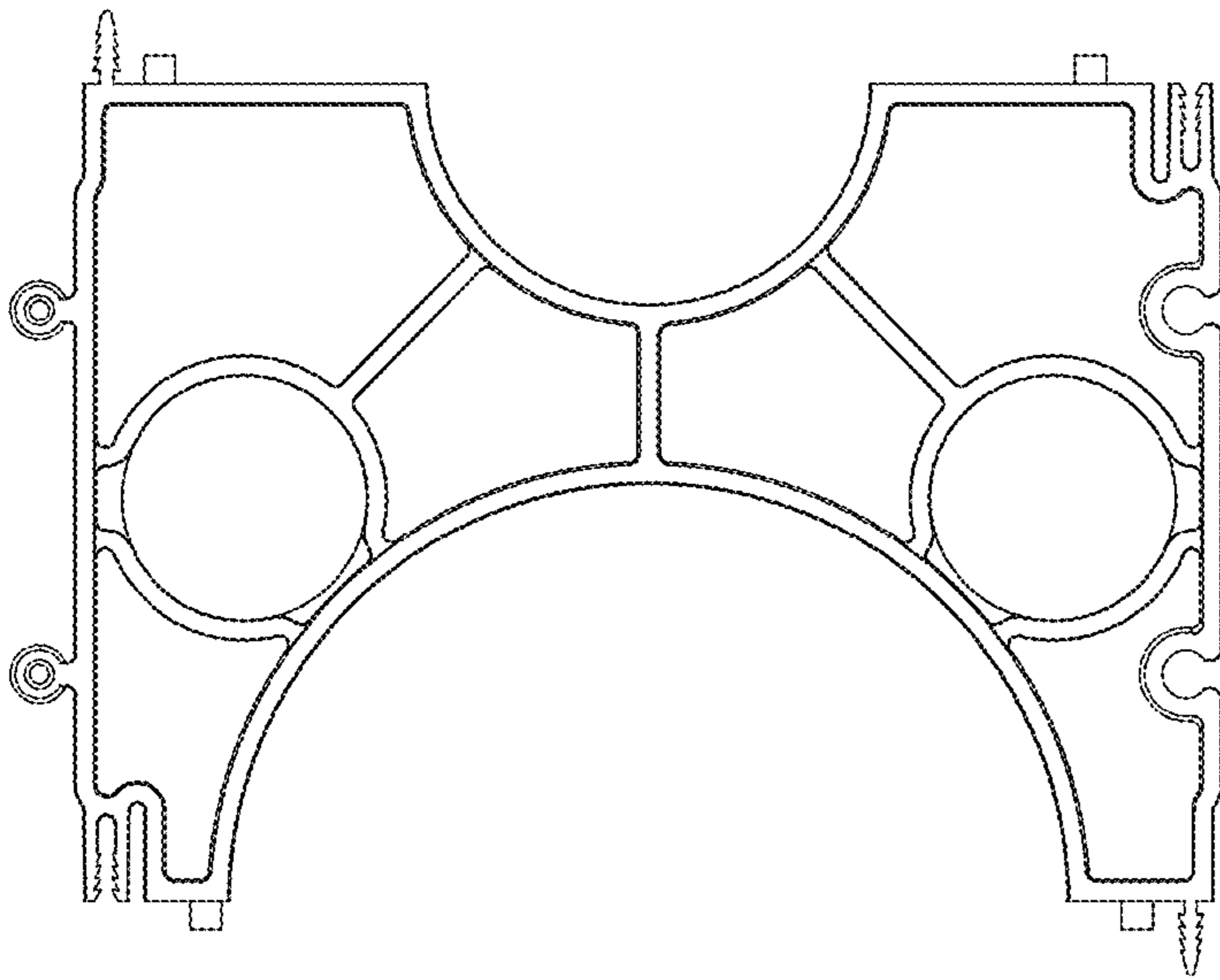


FIG. 2

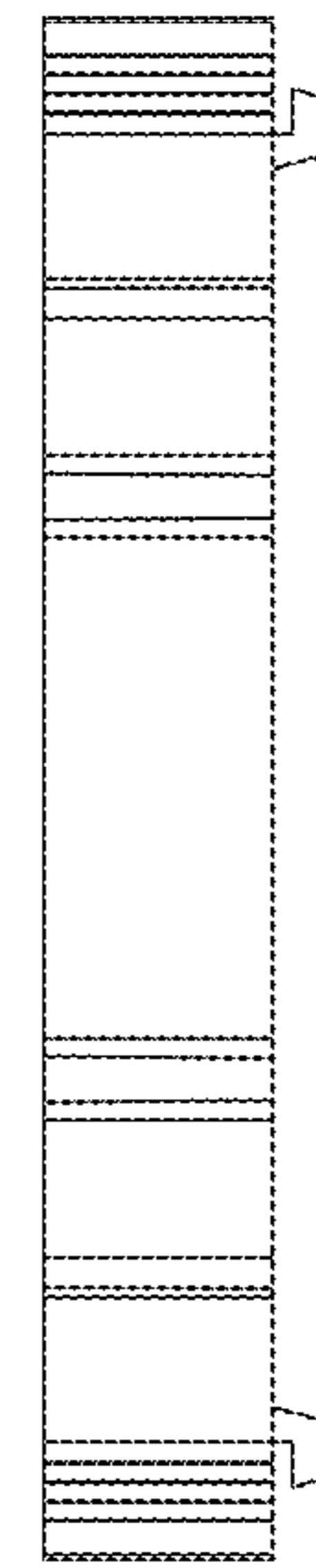


FIG. 4

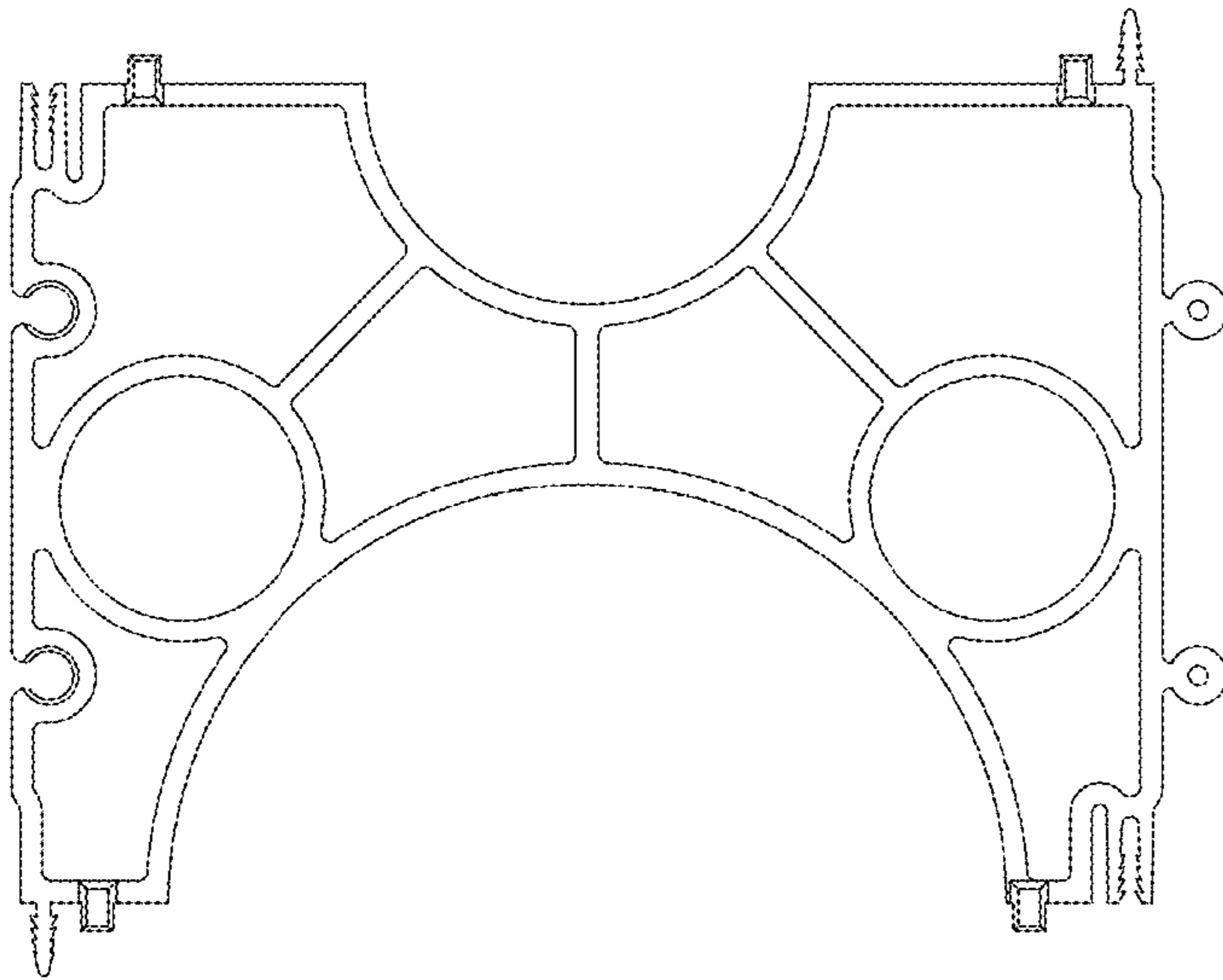


FIG. 5



FIG. 7

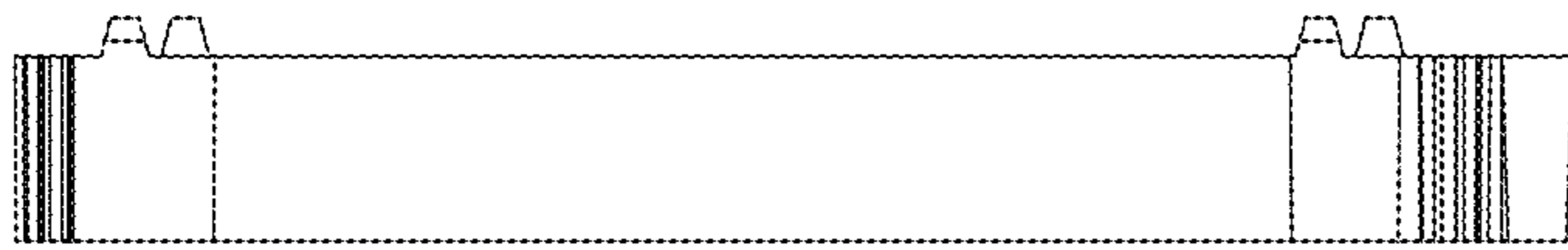


FIG. 6