



US00D772044S

(12) **United States Design Patent** (10) **Patent No.:** **US D772,044 S**  
**McCoy** (45) **Date of Patent:** **\*\* Nov. 22, 2016**

- (54) **SPACER**
- (71) Applicant: **Underground Devices, Inc.**,  
Northbrook, IL (US)
- (72) Inventor: **Donald P McCoy**, Lake Forest, IL (US)
- (73) Assignee: **Underground Devices, Inc.**,  
Northbrook, IL (US)
- (\*\*) Term: **15 Years**
- (21) Appl. No.: **29/568,473**
- (22) Filed: **Jun. 18, 2016**
- (51) **LOC (10) Cl.** ..... **08-05**
- (52) **U.S. Cl.**  
USPC ..... **D8/380; D8/354**
- (58) **Field of Classification Search**  
USPC ..... D8/380, 354, 356, 63; 248/68.1, 73  
CPC ..... F16L 3/2235; F16L 3/23; F16L 5/00  
See application file for complete search history.

4,093,076 A	6/1978	Newton	
4,099,626 A	7/1978	Magnussen, Jr.	
4,114,241 A	9/1978	Bisping	
4,183,484 A	1/1980	Mathews	
4,244,542 A	1/1981	Mathews	
4,306,697 A	12/1981	Mathews	
D265,052 S	6/1982	Husted	
4,601,447 A	7/1986	McFarland	
4,618,114 A	10/1986	McFarland	
D296,074 S	6/1988	Seyfarth	
5,104,072 A	4/1992	Kuo et al.	
5,605,419 A	2/1997	Reinert, Sr.	
5,827,441 A	10/1998	Solbjorg	
5,992,802 A *	11/1999	Campbell	..... H02G 3/30 248/68.1
6,053,456 A	4/2000	Dispenza	

(Continued)

**OTHER PUBLICATIONS**

Carlton snap-n-stac combo spacers, Apr. 2010, 6 pages.  
 Design U.S. Appl. No. 29/555,342, filed Feb. 20, 2016, Donald P. McCoy.  
 Design U.S. Appl. No. 29/555,343, filed Feb. 20, 2016, Donald P. McCoy.

(Continued)

(56) **References Cited**

**U.S. PATENT DOCUMENTS**

1,801,451 A *	4/1931	Parker	..... H02G 9/06 138/112
1,805,990 A	5/1931	Makowski	
1,821,234 A	9/1931	Parker	
2,462,399 A	2/1949	Hinchman	
D165,901 S	2/1952	Bloom et al.	
2,686,643 A	8/1954	Bloom et al.	
2,849,027 A	8/1956	Tetyak	
2,932,687 A	4/1960	Cook	
2,937,833 A	5/1960	Sachs	
3,310,906 A *	3/1967	Glukes	..... A63H 33/065 405/16
3,464,661 A	9/1969	Alesi, Jr.	
3,523,667 A	8/1970	Guerrero	
3,531,071 A	9/1970	Kubli	
3,643,005 A	2/1972	Mathews	
3,765,629 A	10/1973	Voelker et al.	
3,783,907 A	1/1974	Skinner	
3,856,246 A	12/1974	Sinko	
3,964,707 A	6/1976	Lewis	

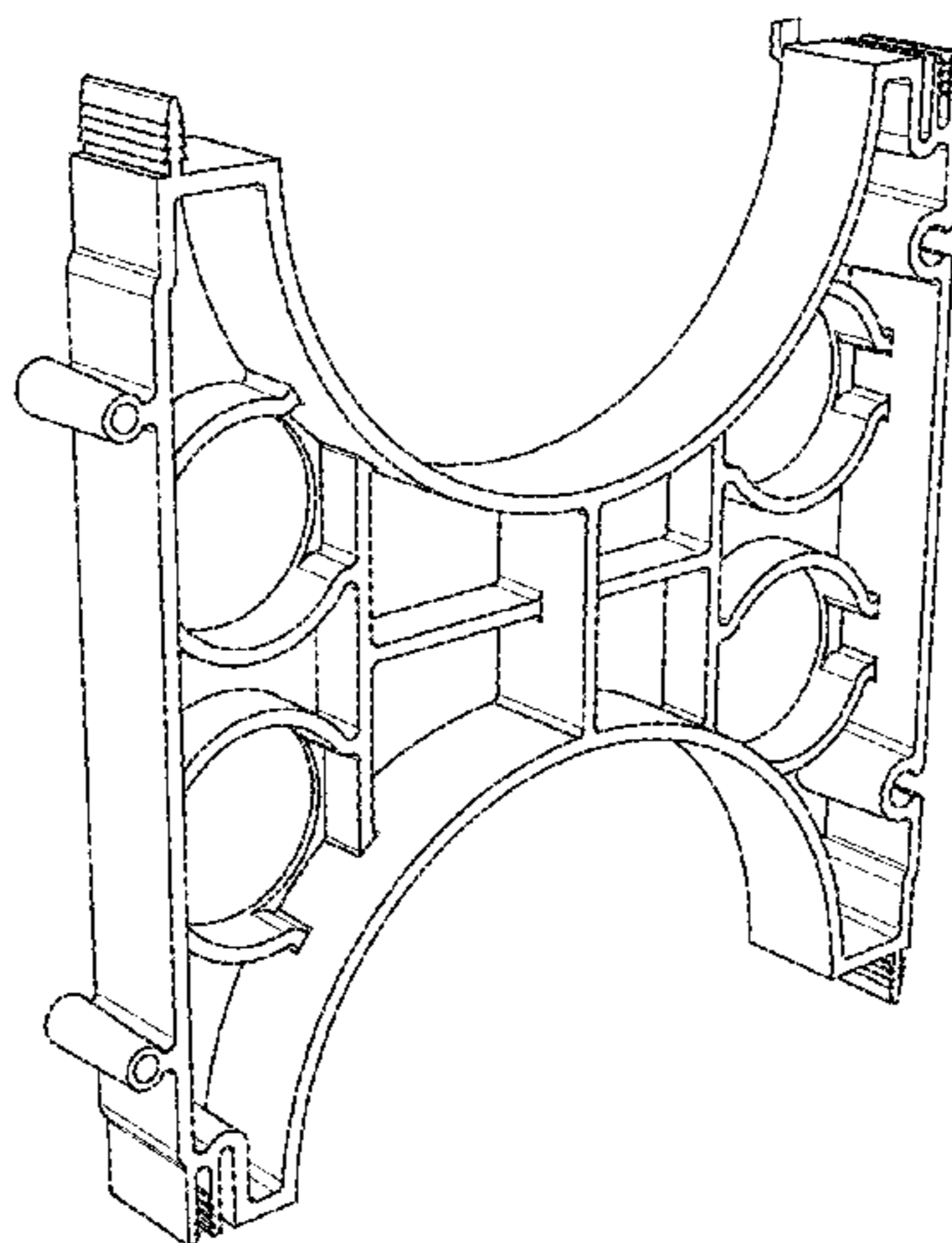
*Primary Examiner* — Lakiya Rogers  
*Assistant Examiner* — Harold Blackwell, II  
 (74) *Attorney, Agent, or Firm* — David W. Okey LLC

(57) **CLAIM**  
 The ornamental design for a spacer, as shown and described.

**DESCRIPTION**

FIG. 1 is a front perspective view of a spacer showing my new design;  
 FIG. 2 is a front elevational view thereof  
 FIG. 3 is a top plan view thereof;  
 FIG. 4 is a right side elevational view thereof;  
 FIG. 5 is a rear elevational view thereof;  
 FIG. 6 is a bottom plan view thereof; and,  
 FIG. 7 is a left side elevational view thereof.

**1 Claim, 3 Drawing Sheets**



(56)

**References Cited**

U.S. PATENT DOCUMENTS

6,378,811	B1 *	4/2002	Potter .....	F16L 3/222 248/49
7,080,864	B2 *	7/2006	Casteran .....	B65D 85/20 211/60.1
7,223,052	B1	5/2007	Evans	
7,806,629	B2	10/2010	McCoy	
7,828,251	B2 *	11/2010	Tollefson .....	E04B 5/48 248/49
7,942,371	B1	5/2011	McCoy	
8,020,811	B2	9/2011	Nelson	
8,074,945	B2 *	12/2011	Schoenau .....	F16L 3/222 248/316.6
8,294,030	B2	10/2012	Pollard, Jr.	
8,342,474	B2	1/2013	Gilbreath	
8,783,631	B2	7/2014	McCoy	
8,876,068	B2	11/2014	McCoy	
8,985,529	B2	3/2015	Masters et al.	
9,038,967	B2 *	5/2015	Struck .....	F16L 57/04 248/68.1
2009/0224111	A1 *	9/2009	Gilbreath .....	F16L 3/222 248/68.1

OTHER PUBLICATIONS

Design U.S. Appl. No. 29/555,344, filed Feb. 20, 2016, Donald P. McCoy.

Design U.S. Appl. No. 29/555,345, filed Feb. 20, 2016, Donald P. McCoy.

Design U.S. Appl. No. 29/555,347, filed Feb. 20, 2016, Donald P. McCoy.

Design U.S. Appl. No. 29/568,474, filed Jun. 18, 2016, Donald P. McCoy.

Design U.S. Appl. No. 29/568,475, filed Jun. 18, 2016, Donald P. McCoy.

Design U.S. Appl. No. 29/568,476, filed Jun. 18, 2016, Donald P. McCoy.

Design U.S. Appl. No. 29/568,477, filed Jun. 18, 2016, Donald P. McCoy.

Design U.S. Appl. No. 29/568,479, filed Jun. 18, 2016, Donald P. McCoy.

Design U.S. Appl. No. 29/568,480, filed Jun. 18, 2016, Donald P. McCoy.

Design U.S. Appl. No. 29/568,481, filed Jun. 18, 2016, Donald P. McCoy.

\* cited by examiner

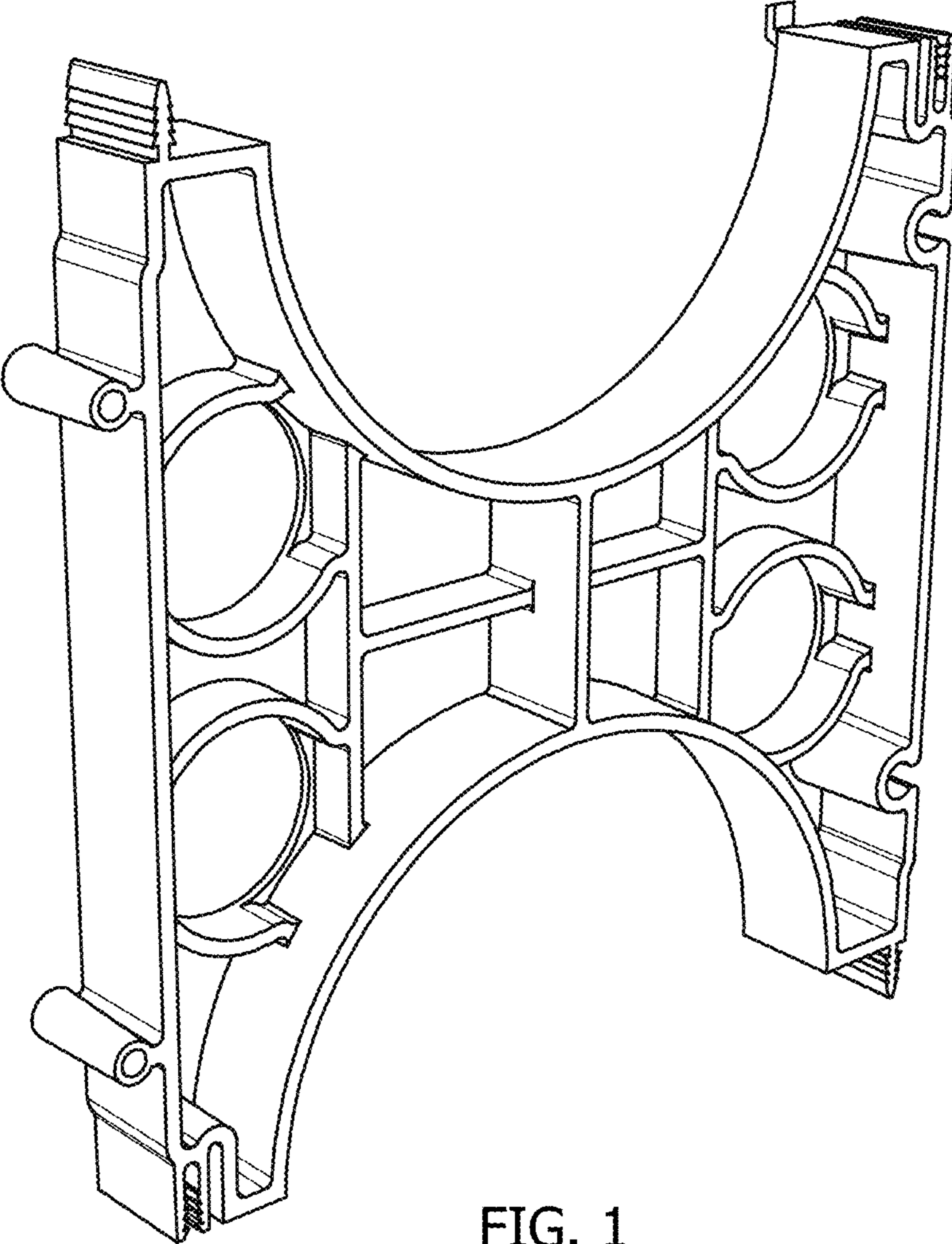


FIG. 1



FIG. 3

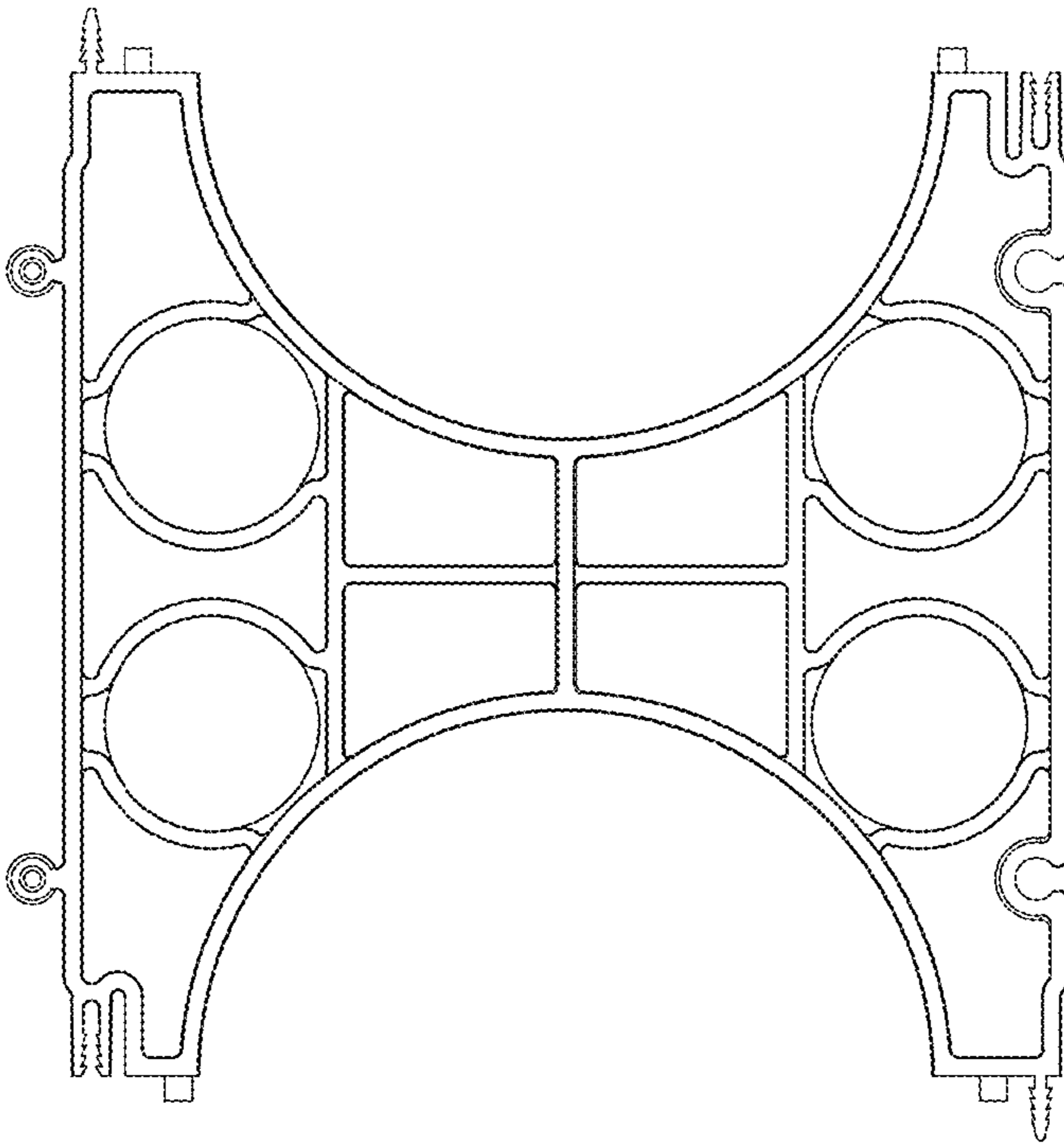


FIG. 2

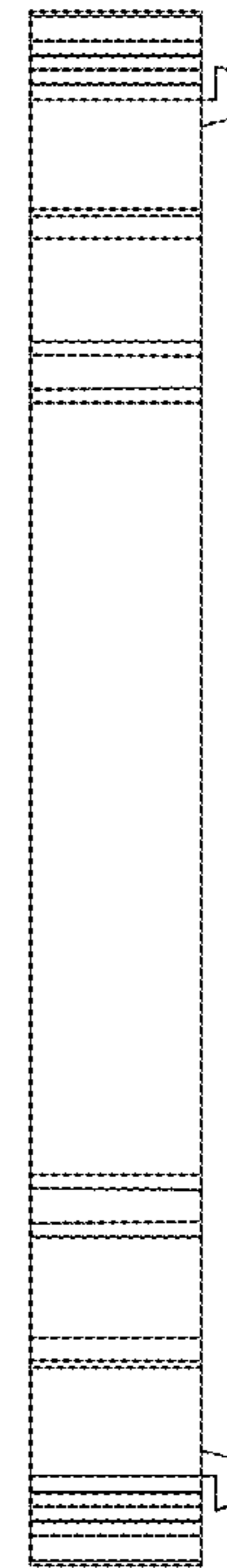


FIG. 4

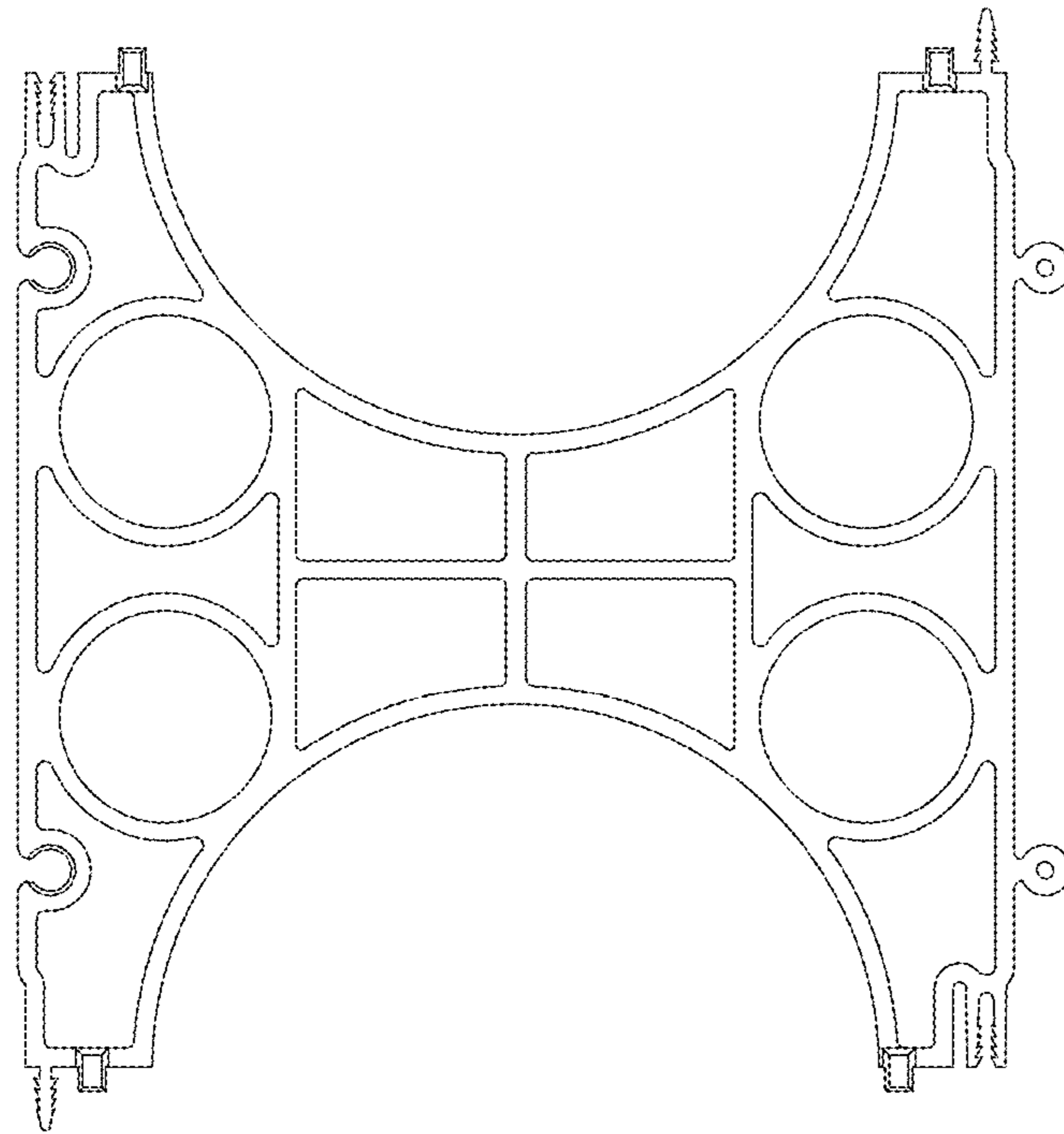


FIG. 5

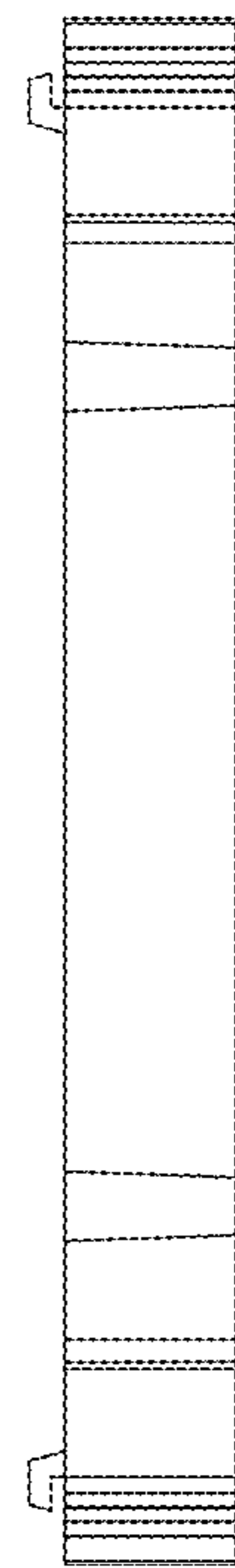


FIG. 7



FIG. 6