



US00D772042S

(12) **United States Design Patent**
Polovin et al.

(10) **Patent No.:** **US D772,042 S**

(45) **Date of Patent:** **** Nov. 22, 2016**

(54) **HOSE GUIDE**

(71) Applicant: **Kärcher North America, Inc.**, Denver, CO (US)

(72) Inventors: **Zhak A. Polovin**, Vancouver, WA (US); **Marco Antonio Perez Gonzalez**, San Nicolas de los Garza (MX); **Gabriel de la Rosa Esparza**, San Nicolas de los Garza (MX)

(73) Assignee: **Kärcher North America, Inc.**, Denver, CO (US)

(**) Term: **15 Years**

(21) Appl. No.: **29/534,019**

(22) Filed: **Jul. 24, 2015**

(51) **LOC (10) Cl.** **08-05**

(52) **U.S. Cl.**
USPC **D8/356**

(58) **Field of Classification Search**
USPC D8/354, 349, 356, 367, 1, 360, 358, D8/359; D34/35; D6/358, 309; D25/131, D25/133; 182/2, 3
CPC F16B 45/02; F16B 47/00; B66C 1/125; B66C 1/36; A62B 35/0037; A62B 35/04; A62B 35/0068; B65H 75/40
See application file for complete search history.

(56) **References Cited**

U.S. PATENT DOCUMENTS

383,699 A	5/1888	Bruegger, Jr.	
2,603,429 A *	7/1952	Jaworowski A01K 89/08 242/224
3,472,456 A	10/1969	Strong	
4,023,421 A	5/1977	Berlier et al.	
4,669,145 A	6/1987	Kehr	
5,109,882 A	5/1992	Eley	
5,179,972 A	1/1993	Eley	
D341,767 S	11/1993	Brueske	

5,303,866 A	4/1994	Hawks, Jr.
5,330,121 A	7/1994	Eley
5,636,648 A	6/1997	O'Brien et al.
5,676,402 A	10/1997	Eley et al.
5,741,188 A	4/1998	Levin et al.
6,079,675 A	6/2000	Hsu
D435,782 S	1/2001	Thomas
D436,020 S	1/2001	Thomas
D442,444 S	5/2001	Bowling et al.
D459,194 S	6/2002	Johansson et al.
D462,254 S	9/2002	Wright et al.
D462,603 S	9/2002	Wright et al.
D474,396 S	5/2003	Tisbo et al.

(Continued)

OTHER PUBLICATIONS

“Free Standing Swivel hose Reel,” Home Depot, © 2013, 2 pages [retrieved from: <http://www.homedepot.com/p/Lewis-Tools-Free-Standing-Swivel-Hose-Reel-100505390/202494215>].

(Continued)

Primary Examiner — Cynthia Underwood

(74) *Attorney, Agent, or Firm* — Sheridan Ross P.C.

(57) **CLAIM**

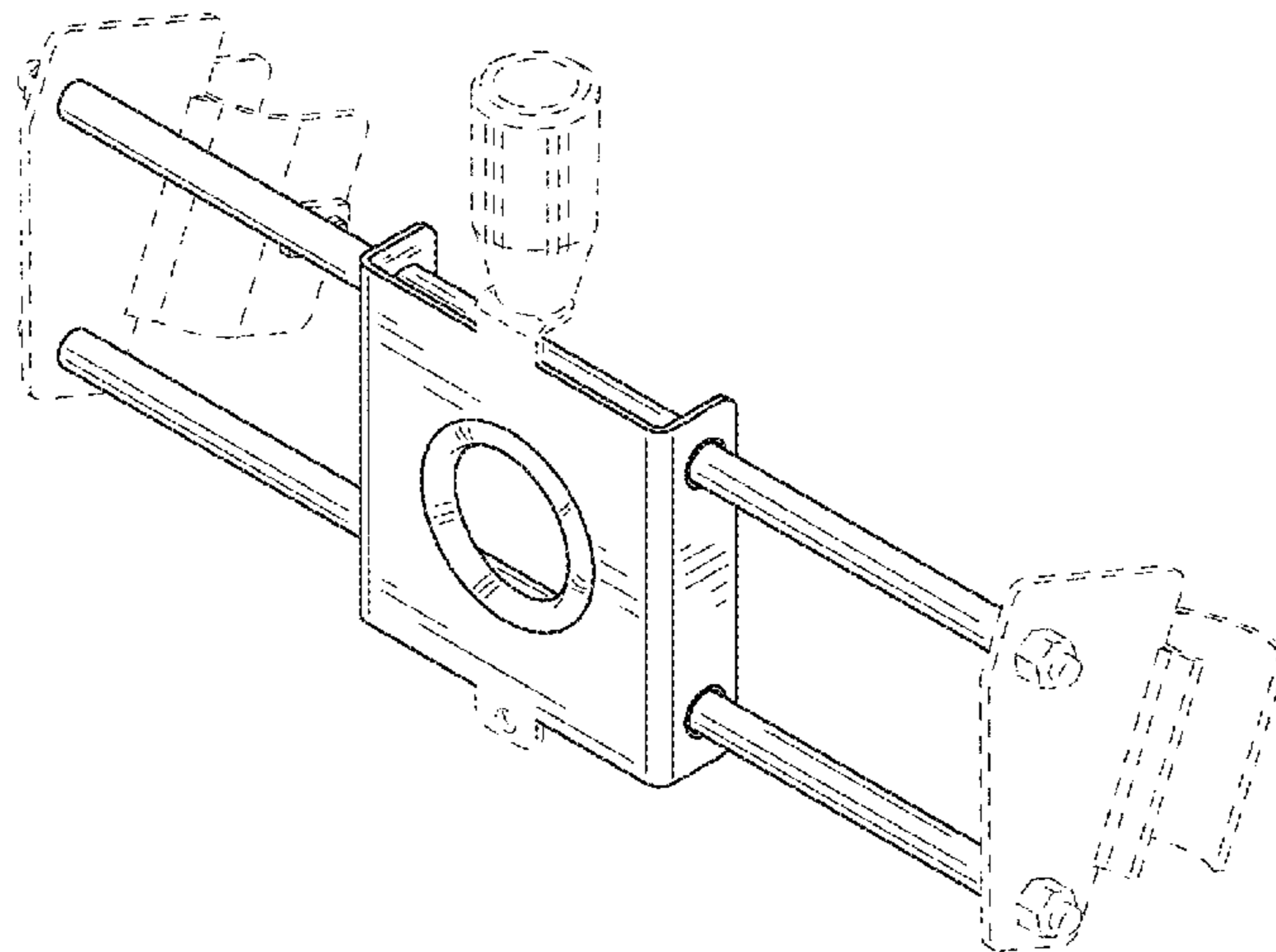
The ornamental design for a hose guide, as shown and described.

DESCRIPTION

FIG. 1 is a front perspective view of the hose guide; FIG. 2 is a front elevation view thereof; FIG. 3 is a rear elevation view thereof; FIG. 4 is a right elevation view thereof; FIG. 5 is a left elevation view thereof; FIG. 6 is a top plan view thereof; and, FIG. 7 is a bottom plan view thereof.

The broken lines showing a hose guide are included for the purpose of illustrating environment and form no part of the claimed design.

1 Claim, 4 Drawing Sheets



(56)

References Cited

U.S. PATENT DOCUMENTS

6,637,454 B1 10/2003 Eley
 6,752,342 B1 6/2004 Nagler
 6,877,687 B2 4/2005 Moon et al.
 7,077,693 B1 * 7/2006 Symons H01R 13/72
 191/12.4
 D542,123 S * 5/2007 Symons D8/356
 D554,979 S 11/2007 Hsu
 D559,085 S 1/2008 Yu
 D563,206 S * 3/2008 Bakker D8/356
 7,344,103 B1 3/2008 Eley
 7,374,405 B2 * 5/2008 Wobben B65D 85/68
 416/244 R
 D570,573 S 6/2008 Arcati et al.
 7,389,790 B1 6/2008 Eley et al.
 7,399,199 B2 * 7/2008 Symons H01R 13/72
 439/242
 D590,566 S 4/2009 Arcati et al.
 7,614,611 B1 * 11/2009 Walton F16H 55/36
 254/393
 D607,308 S 1/2010 Moon
 7,654,484 B2 * 2/2010 Mogensen A61M 5/1418
 242/402
 D621,119 S 8/2010 Spadotto
 D621,240 S * 8/2010 Lutter D8/356
 D631,730 S * 2/2011 Skillman D8/356
 D636,253 S 4/2011 Hatcher et al.
 D661,571 S 6/2012 Vogler et al.
 D664,026 S 7/2012 Zalzal
 D669,341 S 10/2012 Hernandez
 8,403,250 B1 3/2013 Callahan
 D701,447 S 3/2014 Allen
 D704,408 S 5/2014 Loudon et al.
 D714,127 S 9/2014 Zavala
 D735,020 S * 7/2015 Bradford D8/356
 D748,455 S * 2/2016 Symons D8/356

9,346,655 B2 * 5/2016 Von Lutterotti B66C 1/12
 2002/0131749 A1 * 9/2002 Swenson G02B 6/4453
 385/135
 2002/0145073 A1 * 10/2002 Swanson A61F 15/002
 242/588.3
 2003/0122023 A1 * 7/2003 Pitcher B65H 75/143
 242/388.1
 2003/0168871 A1 * 9/2003 Geis B66C 1/663
 294/81.21
 2004/0178398 A1 * 9/2004 Miller F16H 55/44
 254/390
 2006/0045733 A1 3/2006 Nagler
 2007/0114319 A1 5/2007 Anderson et al.
 2011/0036676 A1 * 2/2011 Skillman B65H 75/143
 191/12.4

OTHER PUBLICATIONS

“Gardena Wall-Mounted Automatic Retractable hose Reel,” The Green Head, 2014, 3 pages [retrieved on Jan. 6, 2015 from: <https://web.archive.org/web/20140122110658/http://www.thegreenhead.com/2013/05/gardena-wall-mounted-automatic-retractable-hose-reel.php>].
 “Legacy Hose Reels,” Spraymart Pressure Supply, 2010, 1 page. U.S. Appl. No. 29/510,841, filed Dec. 3, 2014, Gradwohl et al.
 U.S. Appl. No. 29/534,020, filed Jul. 24, 2015, Polovin et al.
 U.S. Appl. No. 29/534,021, filed Jul. 24, 2015, Polovin et al.
 “ReelCraft Hose Reel Spring Driven Wall Mount With 50ft of hose,” A.M. Leonard™, 2012, 2 pages [retrieved from: <http://www.amleo.com/reelcraft-hose-reel-spring-driven-wall-mount-with-50ft-of-hose/p/SGA3850/>].
 Official Action for U.S. Appl. No. 29/510,841, mailed Mar. 11, 2015, 7 pages.
 Notice of Allowance for U.S. Appl. No. 29/510,841, mailed May 20, 2015, 9 pages.

* cited by examiner

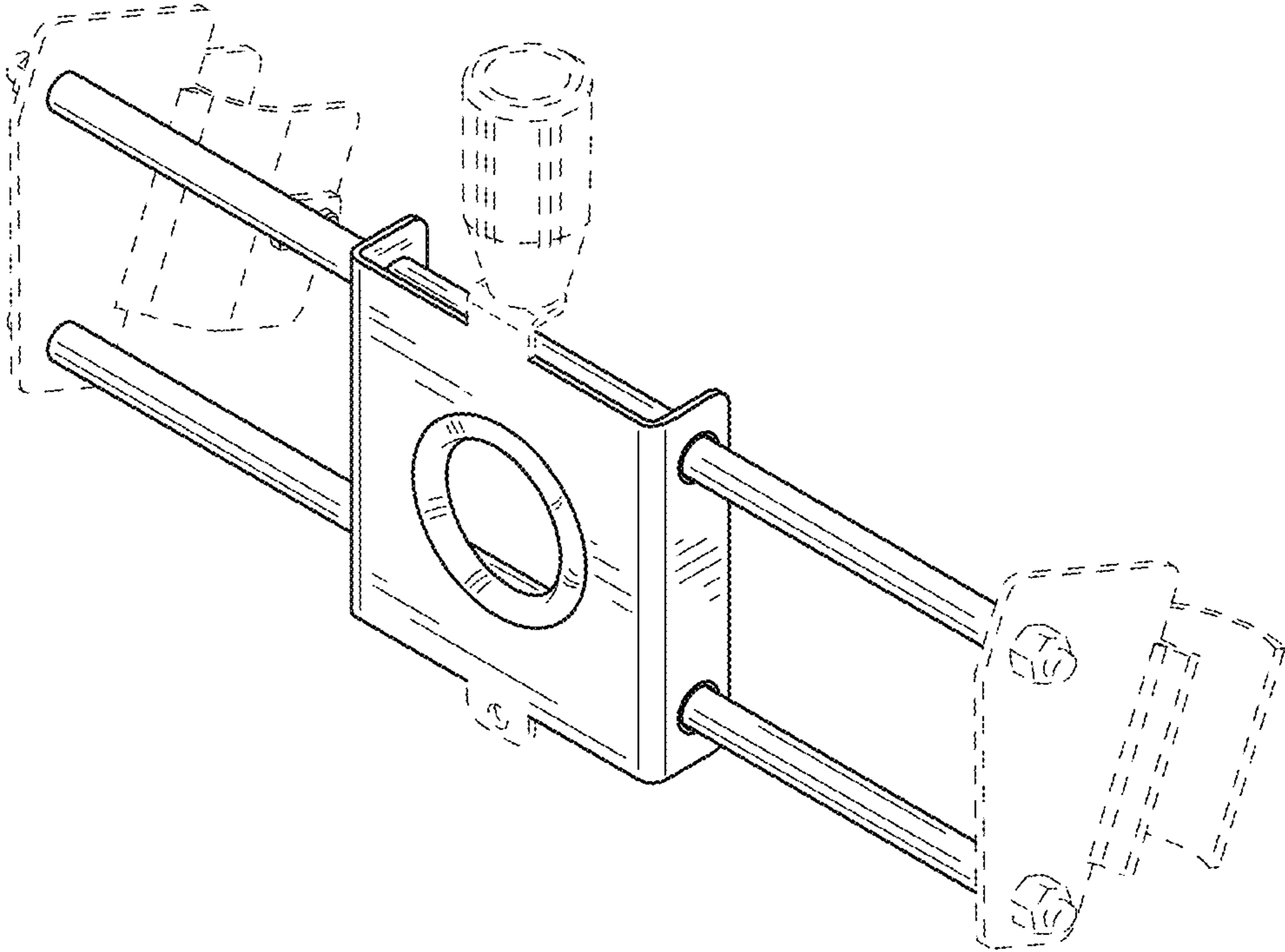


FIG.1

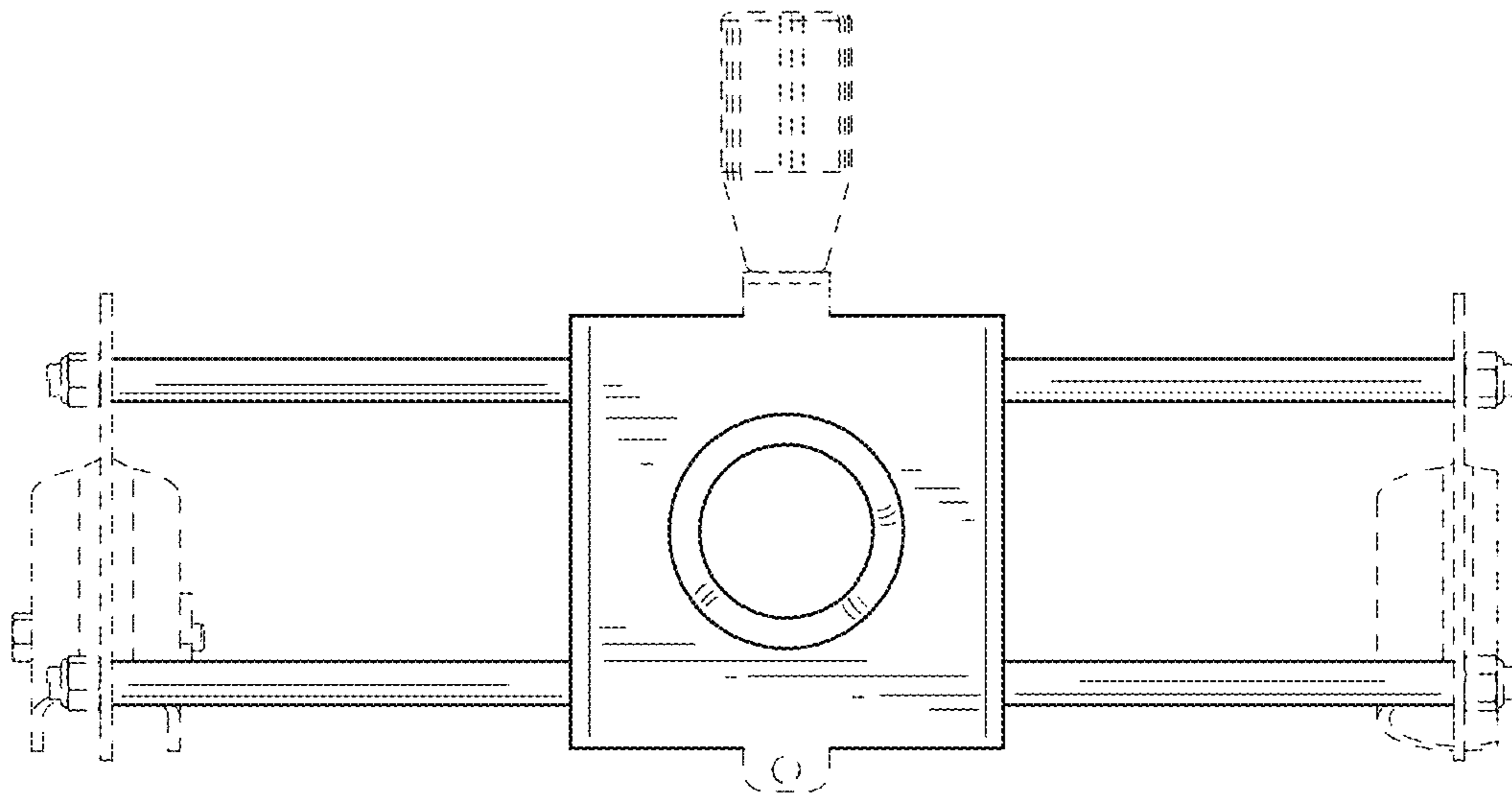


FIG. 2

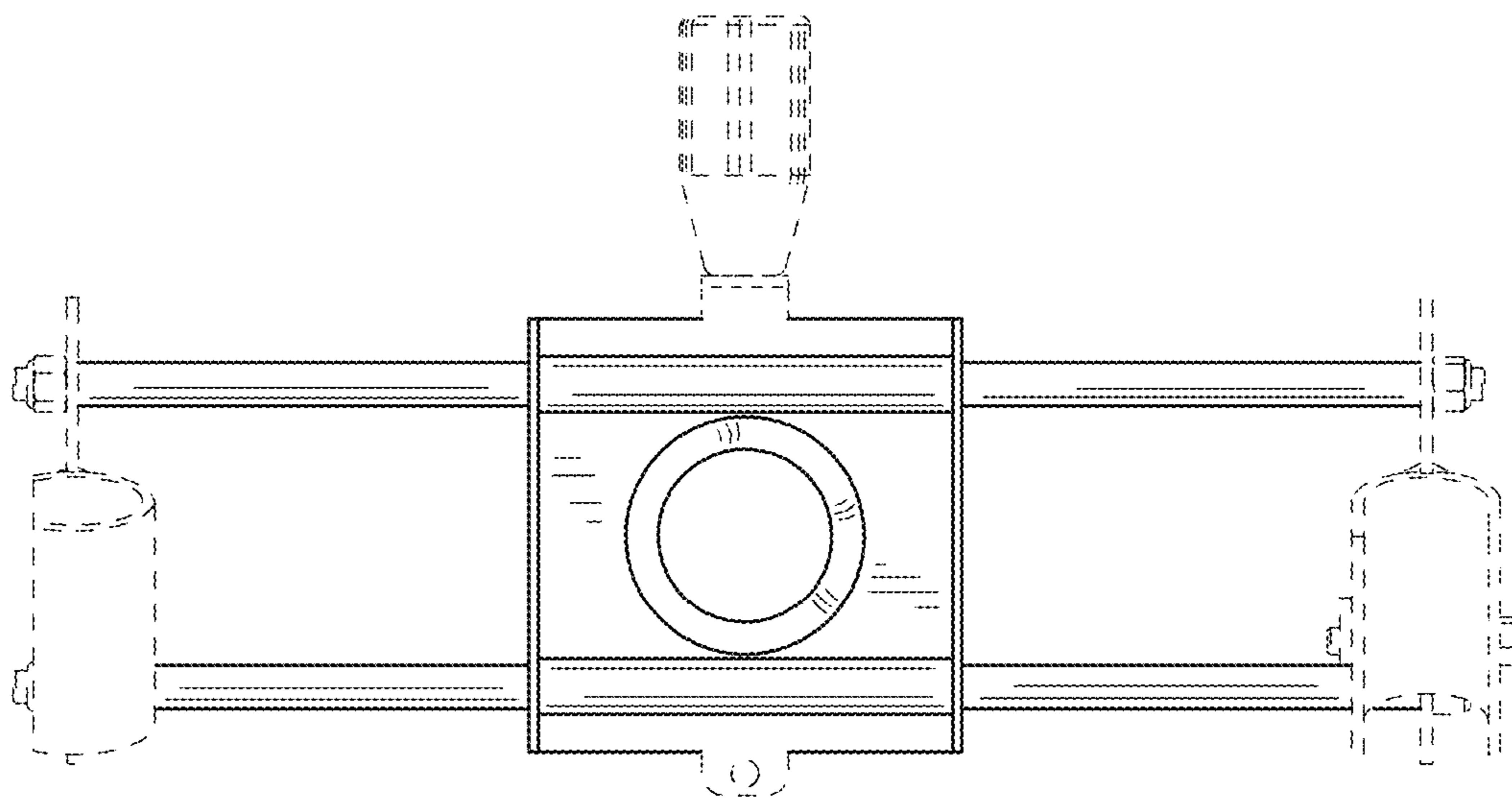


FIG. 3

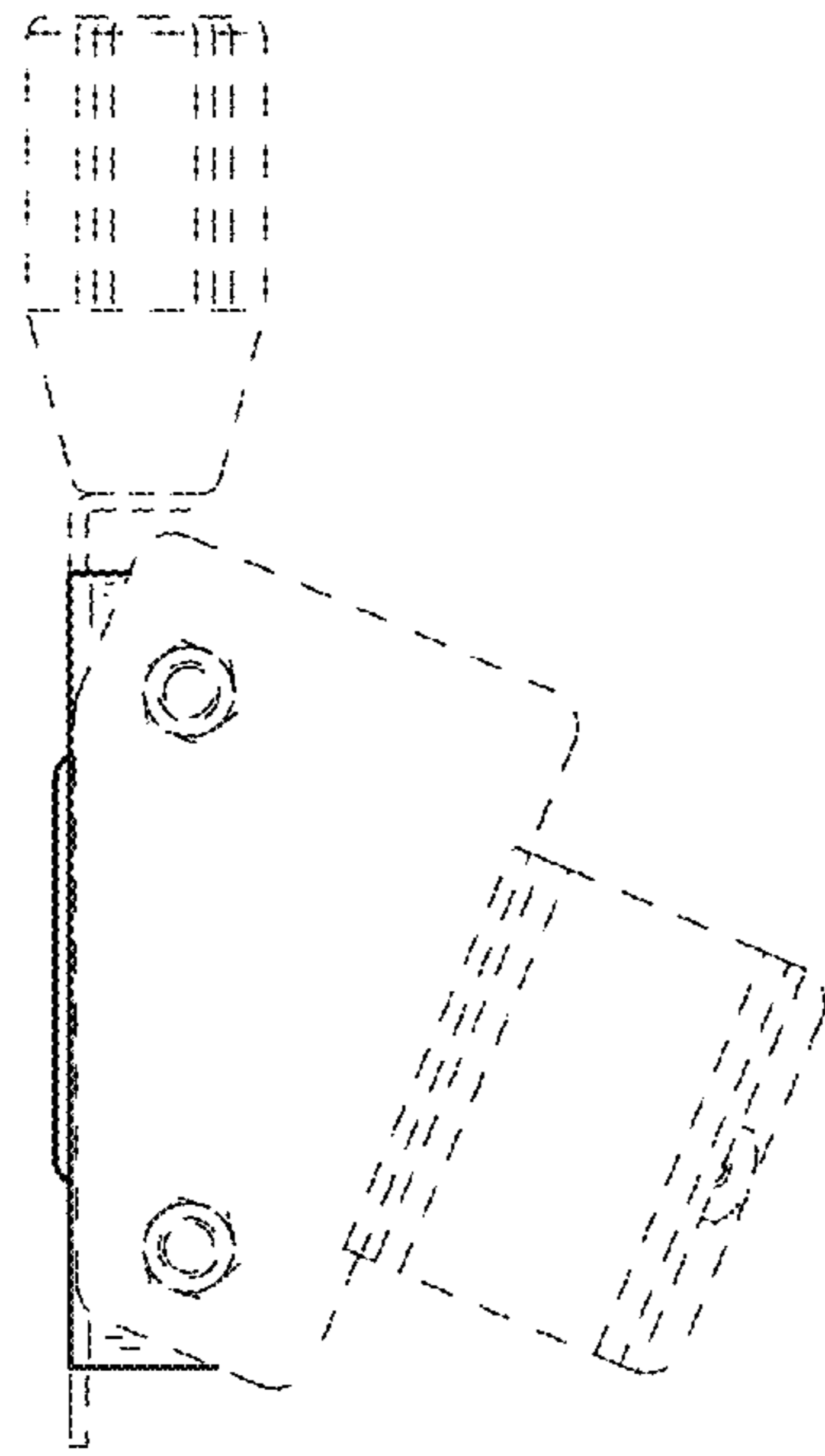


FIG.4

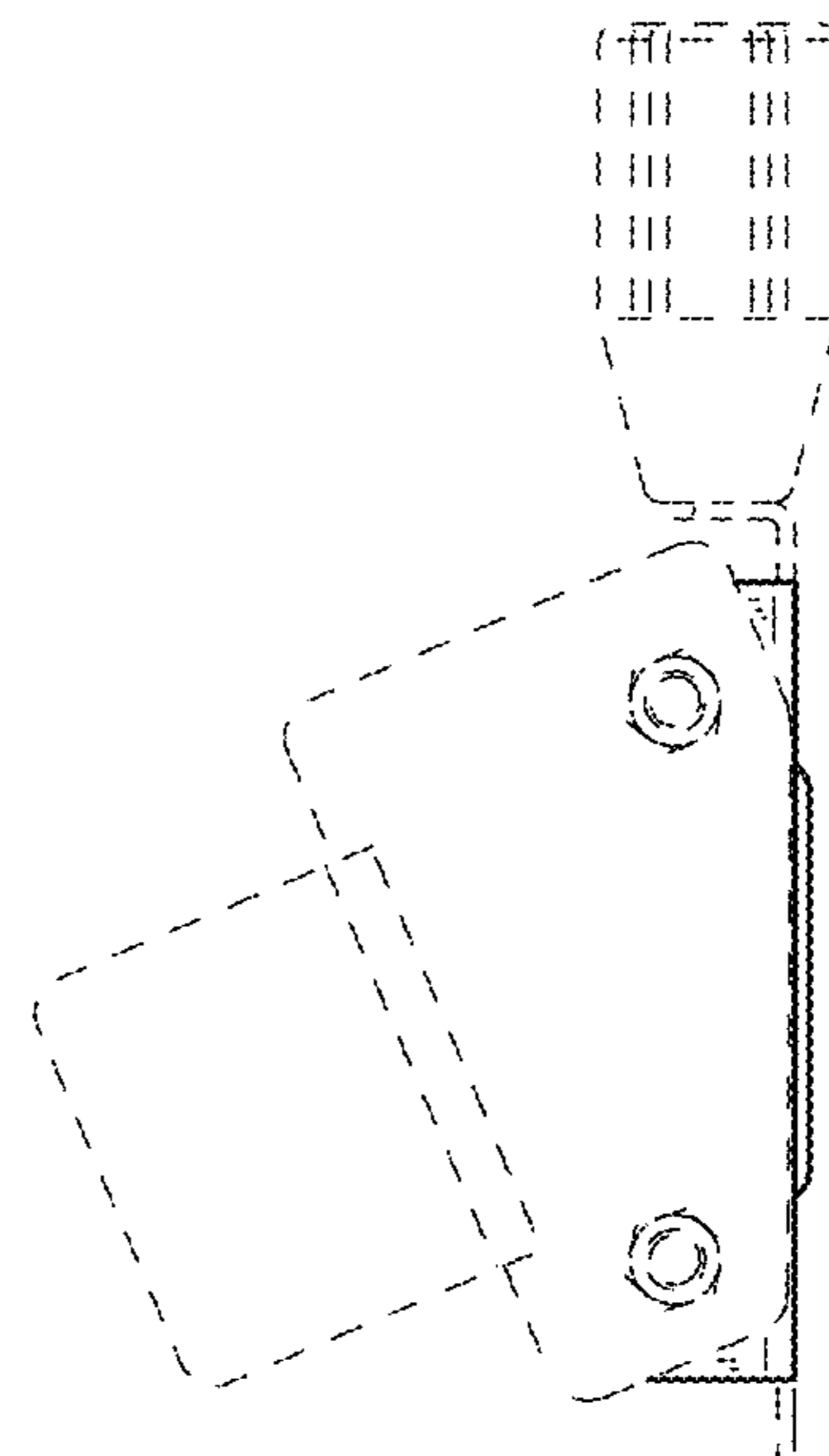


FIG.5

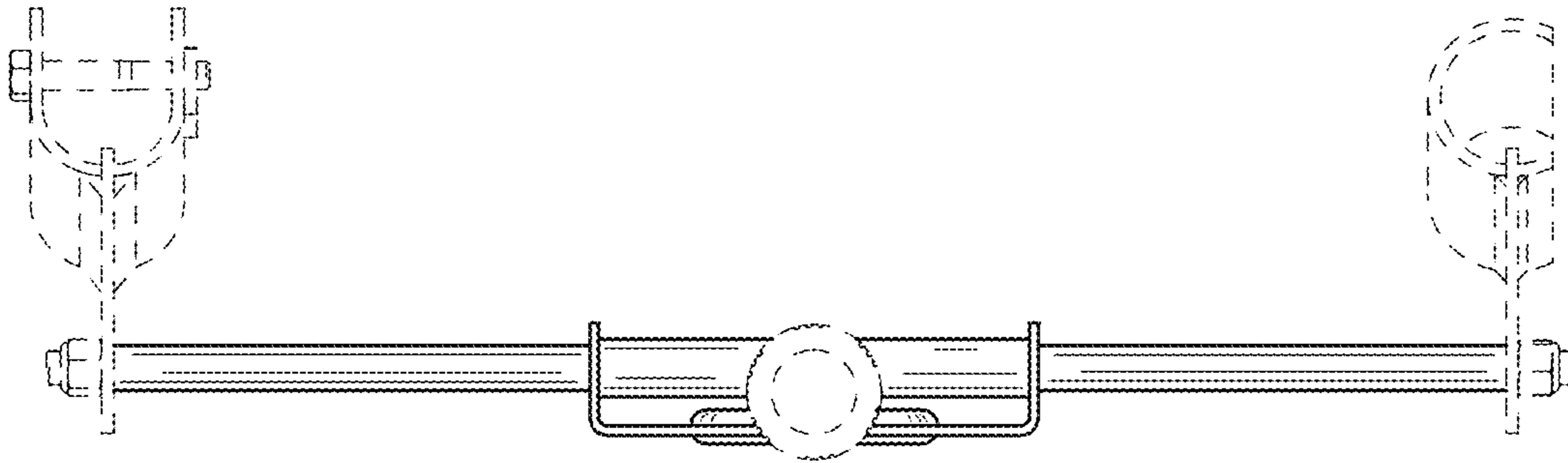


FIG. 6

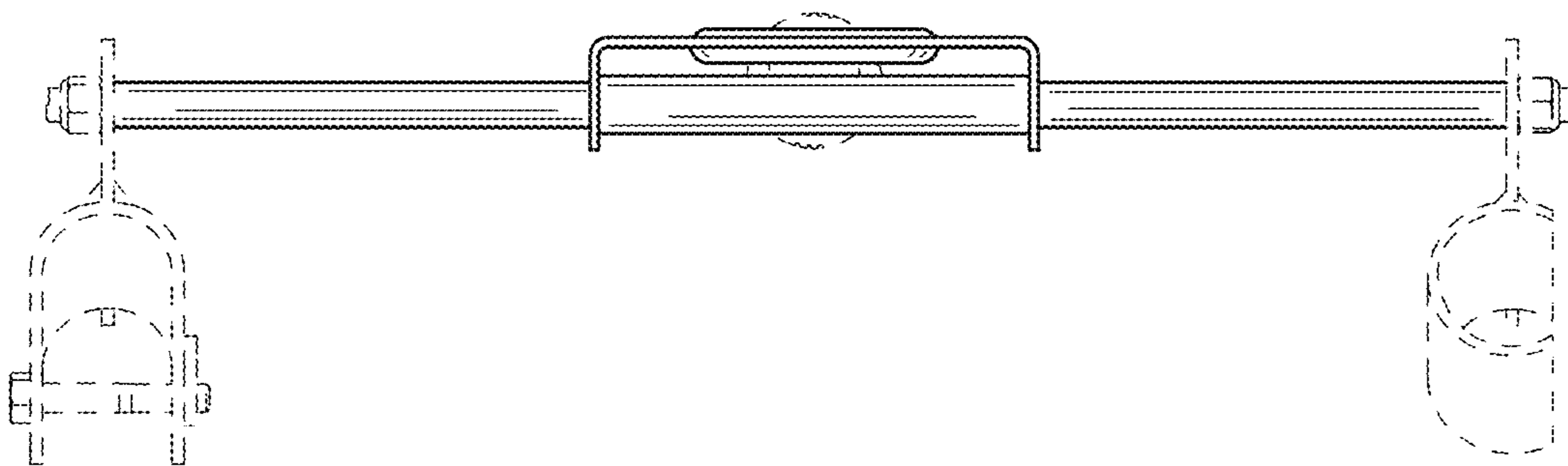


FIG. 7