



US00D772037S

(12) **United States Design Patent** (10) **Patent No.:** **US D772,037 S**
Zimmer (45) **Date of Patent:** **** Nov. 22, 2016**

(54) **CABINET KNOB**
(71) Applicant: **Top Knobs USA, Inc.**, Hillsborough, NJ (US)
(72) Inventor: **Christine Zimmer**, Hillsborough, NJ (US)
(73) Assignee: **TOP KNOBS USA, INC.**, Hillsborough, NJ (US)
(**) Term: **15 Years**
(21) Appl. No.: **29/546,916**
(22) Filed: **Nov. 27, 2015**
(51) **LOC (10) Cl.** **08-06**
(52) **U.S. Cl.**
USPC **D8/310**
(58) **Field of Classification Search**
USPC D8/300, 305, 307, 393, DIG. 1, DIG. 2; D7/393; D23/250, 254; 16/110.1, 413, 16/414, 415, 417, 422, 441, DIG. 30; 292/336.3, 347
CPC . Y10T 292/57; Y10T 292/82; Y10T 16/469; Y10T 16/44; Y10T 16/506; Y10T 292/85; Y10T 16/458; Y10T 74/2084; Y10T 16/46; Y10T 16/459; Y10T 74/20732; Y10T 292/03; Y10T 16/4713; Y10T 16/466; Y10T 292/88; Y10T 29/49599; Y10T 16/487; Y10T 16/462; Y10T 16/4636; Y10T 74/20864; Y10T 70/5155; Y10T 16/4559; Y10T 292/0951; Y10T 292/0891; Y10T 292/0934; Y10T 292/0968; E05B 1/0007; E05B 1/0015; E05B 79/06; E05B 85/10; E05B 1/0053; E05B 55/005; E05B 1/00; E05B 85/107; E05B 3/00
See application file for complete search history.

D176,713 S * 1/1956 Ellis D8/310
D263,554 S * 3/1982 Wasbrough D8/301
D291,824 S * 9/1987 Lathrop D23/254
D361,492 S * 8/1995 Chieda D8/310
5,499,427 A * 3/1996 Bowman A47B 95/02
16/417
D368,638 S * 4/1996 Sonnenleiter D8/310
D368,640 S * 4/1996 Sonnenleiter D8/310
D396,179 S * 7/1998 Burns D8/310
D401,834 S * 12/1998 Burns D8/310
D454,049 S * 3/2002 LaPlume D8/301
D545,664 S * 7/2007 Fields D8/310
D565,385 S * 4/2008 Jou D8/307
D592,037 S * 5/2009 Mattson D8/310
D592,484 S * 5/2009 Ricereto D8/307
D602,329 S * 10/2009 Hanes D8/305
D639,133 S * 6/2011 Owens D8/310
D660,679 S * 5/2012 Han D8/310
D691,455 S * 10/2013 Weathersby D8/310
D713,236 S * 9/2014 Park D8/310
D717,370 S * 11/2014 Hammer D19/34.1
D723,352 S * 3/2015 Ramsland D8/310
D736,589 S * 8/2015 Watson D8/310

* cited by examiner

Primary Examiner — Derrick Holland
Assistant Examiner — Lauren Calve
(74) *Attorney, Agent, or Firm* — Schultz & Associates, P.C.

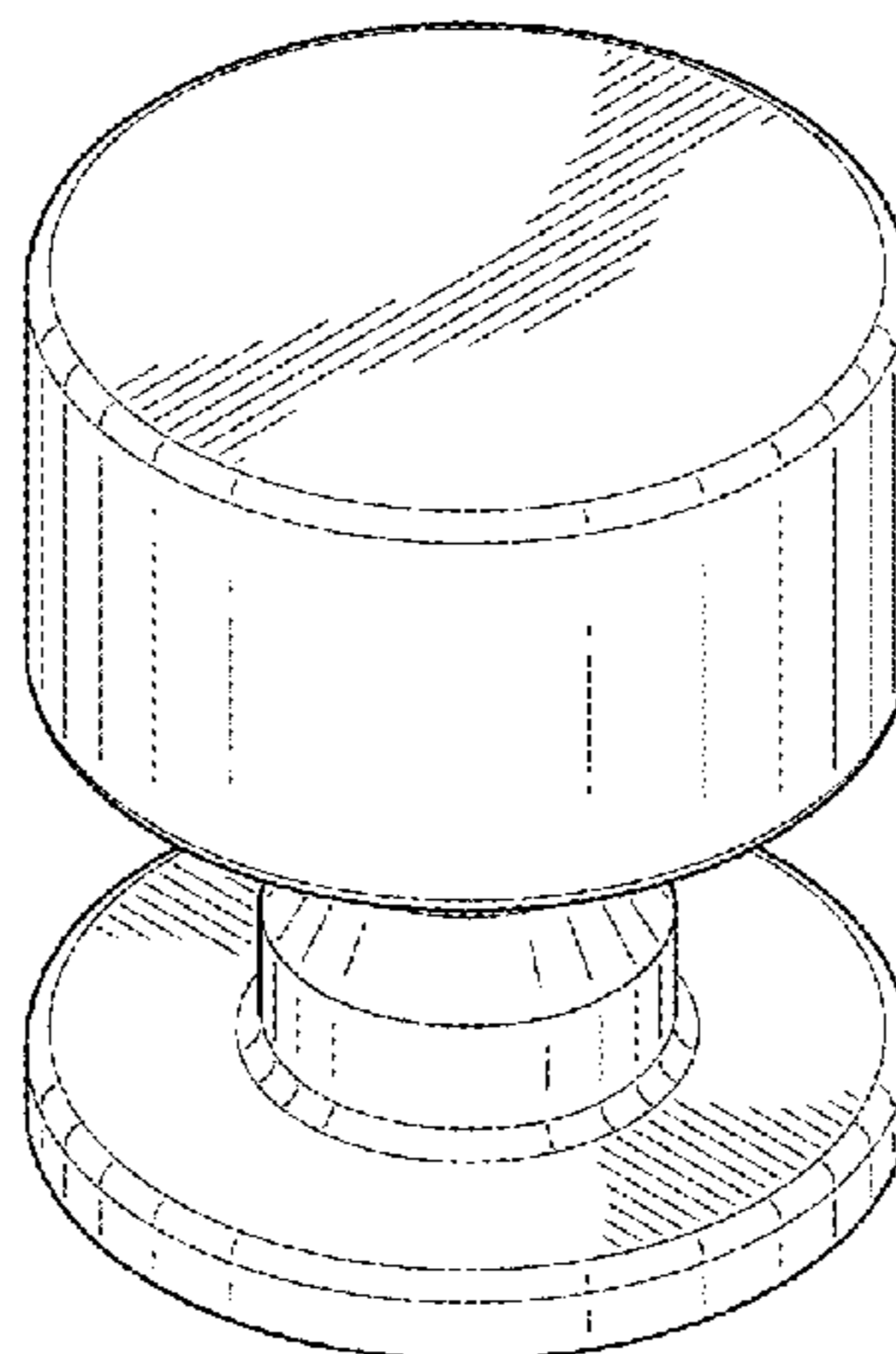
(57) **CLAIM**
The ornamental design for a cabinet knob, as shown and described.

DESCRIPTION

FIG. 1 is a perspective view of a cabinet knob showing my new design;
FIG. 2 is a side elevation view thereof;
FIG. 3 is a top plan view thereof; and,
FIG. 4 is a bottom plan view thereof.
The broken lines shown represent unclaimed subject matter and form no part of the claimed design.

1 Claim, 1 Drawing Sheet

(56) **References Cited**
U.S. PATENT DOCUMENTS
434,650 A * 8/1890 Adams 16/417
D51,333 S * 10/1917 Heizmann D8/310



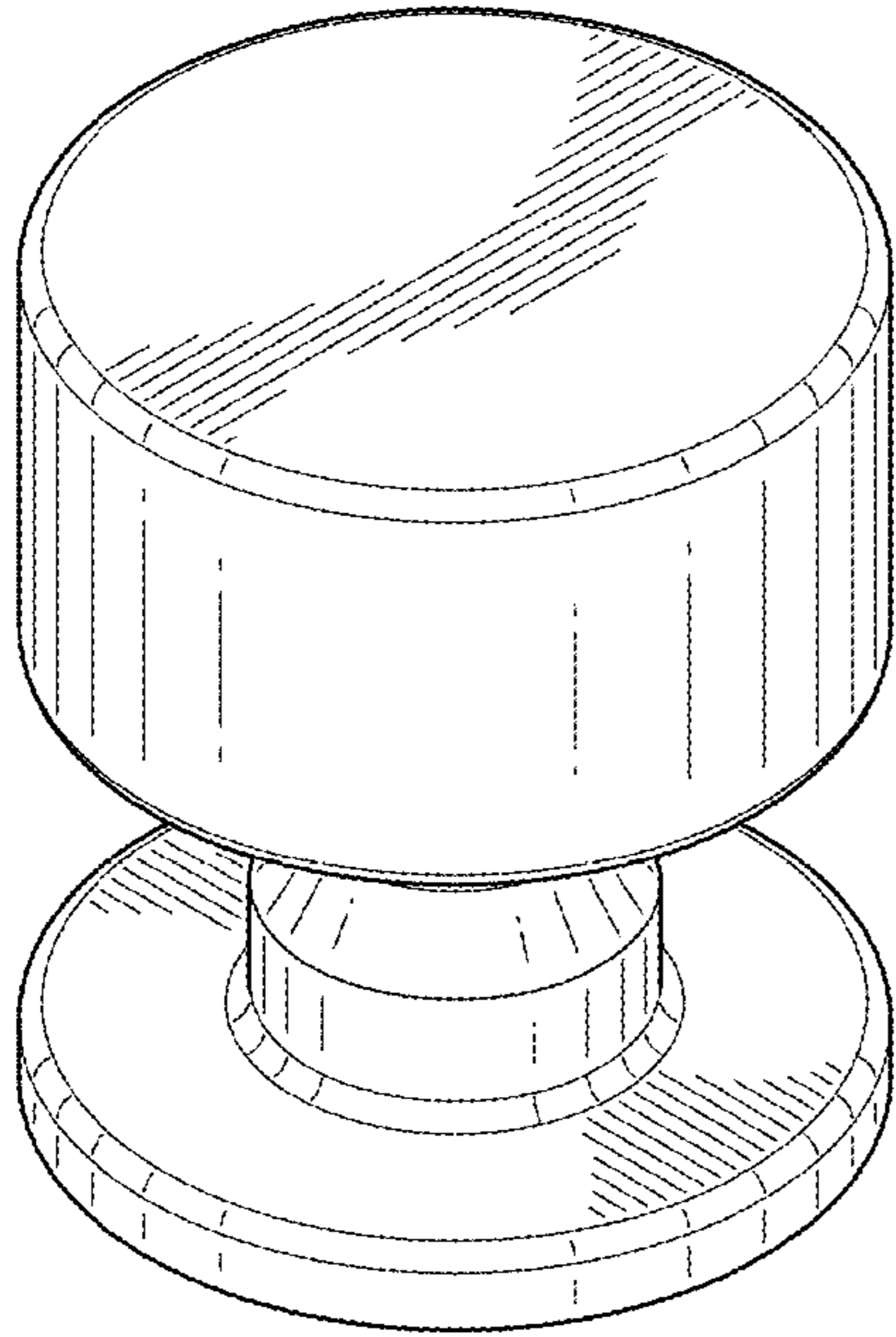


FIG. 1

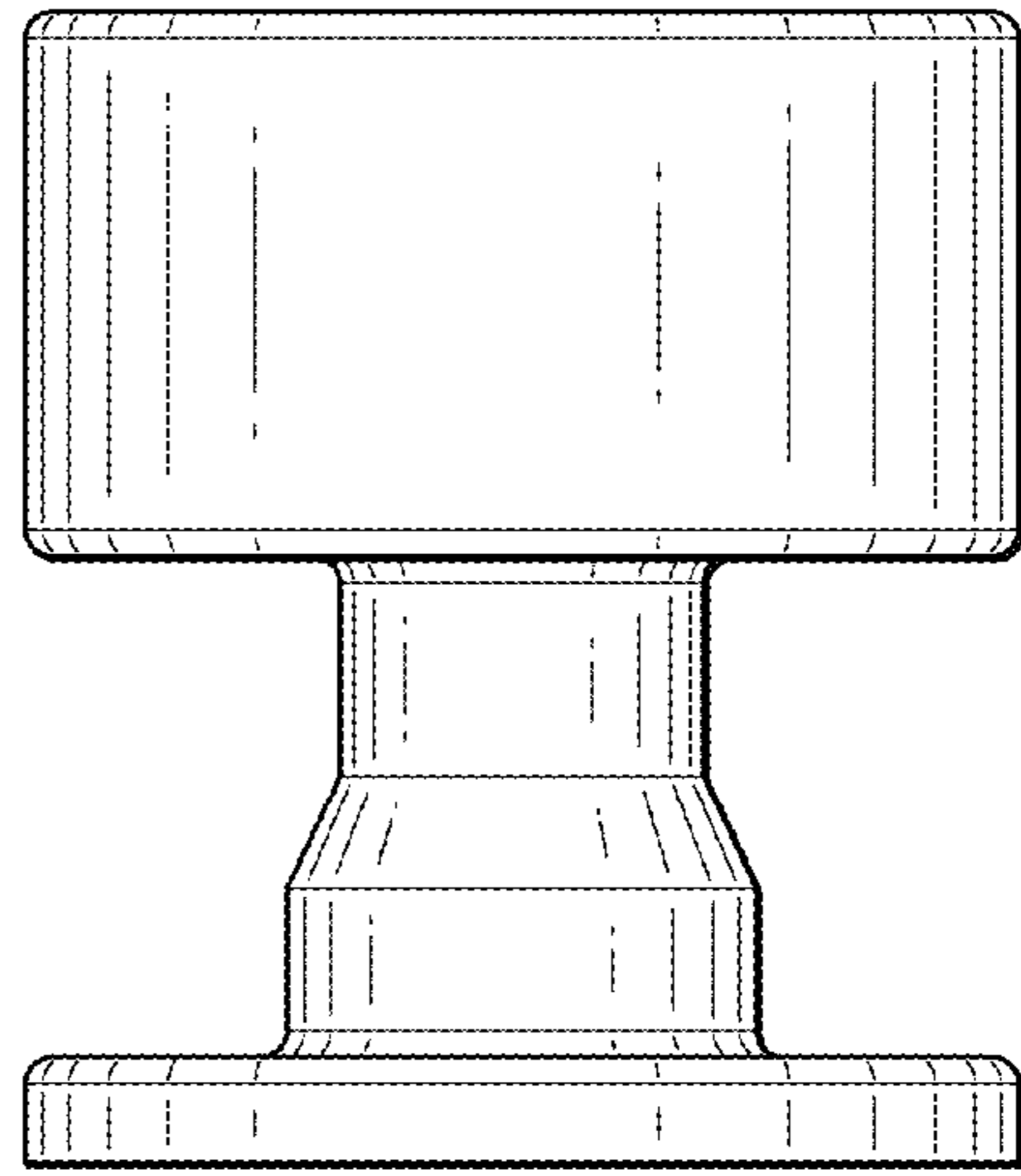


FIG. 2

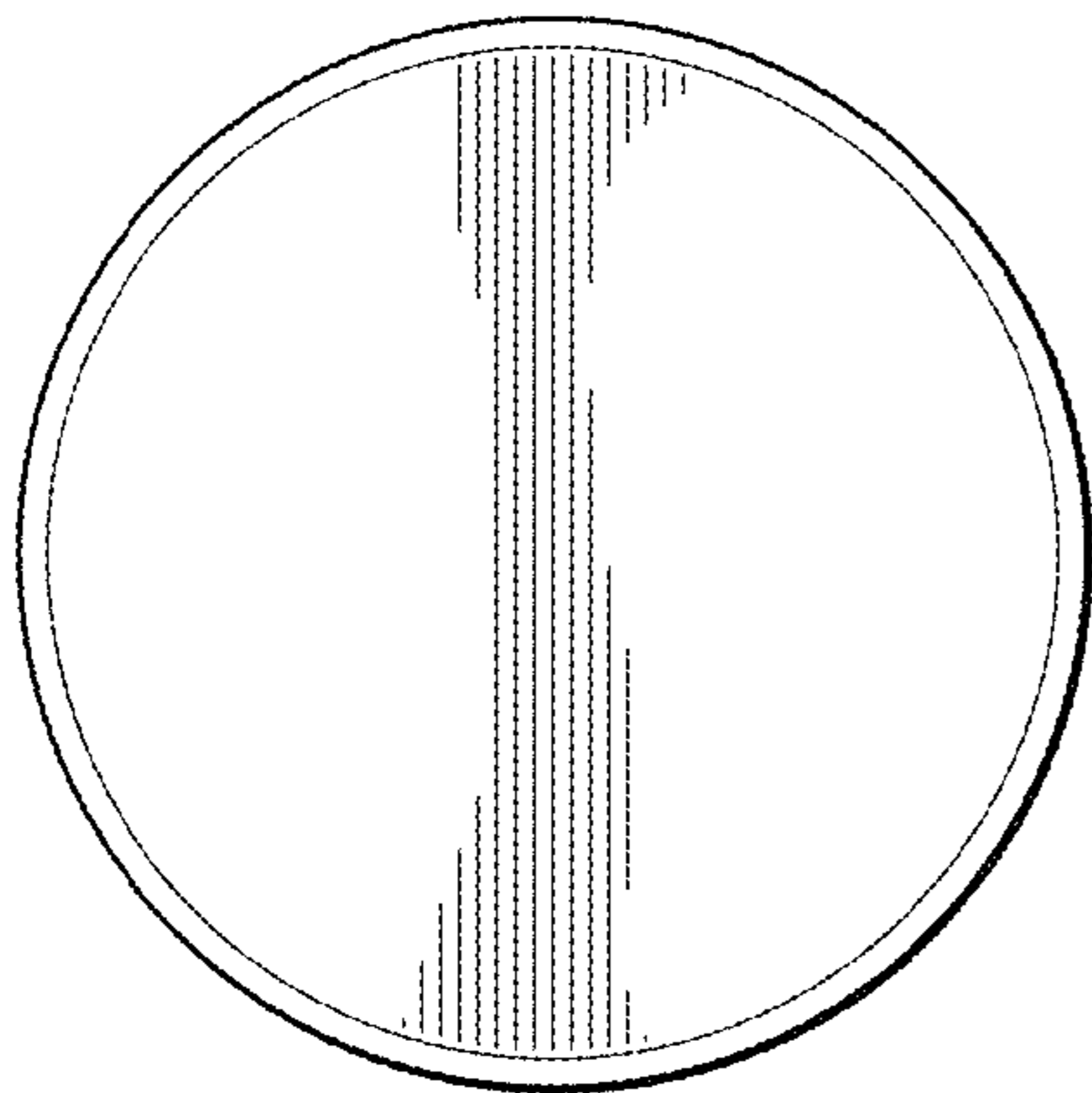


FIG. 3

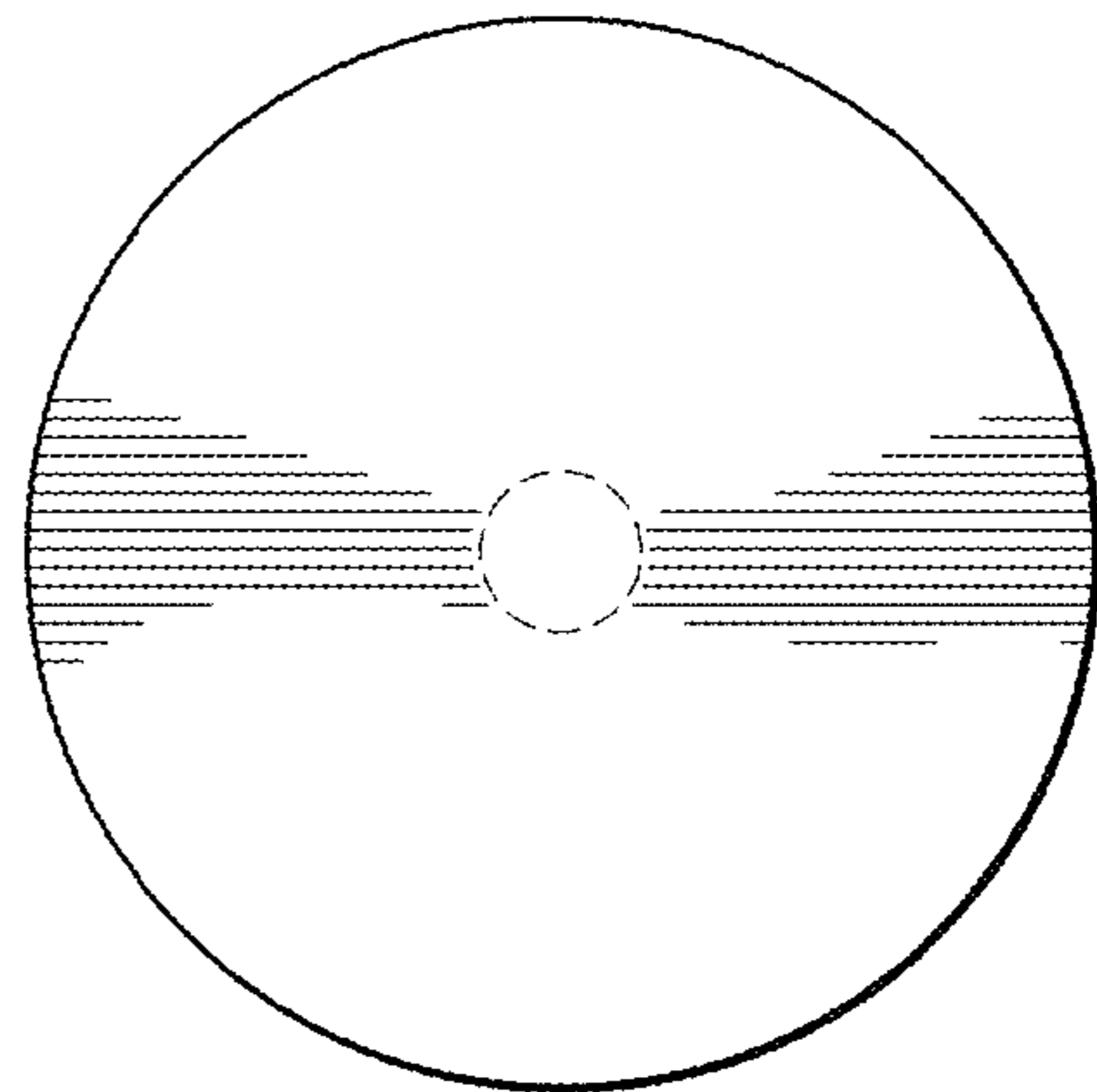


FIG. 4