



US00D772036S

(12) **United States Design Patent**
Frassetto

(10) **Patent No.:** **US D772,036 S**

(45) **Date of Patent:** **** Nov. 22, 2016**

(54) **FIREMAN DOOR HINGE REMOVAL TOOL**

(71) Applicant: **Anthony R. Frassetto**, Phoenix, AZ
(US)

(72) Inventor: **Anthony R. Frassetto**, Phoenix, AZ
(US)

(**) Term: **15 Years**

(21) Appl. No.: **29/536,668**

(22) Filed: **Aug. 19, 2015**

(51) **LOC (10) Cl.** **08-05**

(52) **U.S. Cl.**
USPC **D8/88; D8/14**

(58) **Field of Classification Search**
USPC D8/14, 47, 88, 89
CPC B25C 11/00; B25F 1/00; B25D 1/04;
B66F 15/00; E04D 15/003
See application file for complete search history.

(56) **References Cited**

U.S. PATENT DOCUMENTS

1,559,976	A *	11/1925	Ness	E04G 23/08 254/131
D214,988	S *	8/1969	Isley	D8/89
4,597,123	A	7/1986	Cobe, Jr.		
D327,206	S *	6/1992	Johnson	D8/14
5,165,659	A *	11/1992	L'Heureux	A62B 3/005 254/131
D436,823	S *	1/2001	Wensch	D8/14
D688,926	S *	9/2013	Ortiz	D8/14
8,752,223	B2	6/2014	Hanlon		
9,345,912	B2 *	5/2016	Wells	A62B 3/005

2002/0134971 A1* 9/2002 Christensen B66F 15/00
254/25
2011/0113566 A1* 5/2011 Holbrook B25F 1/006
7/146
2011/0119836 A1 5/2011 Tygh

* cited by examiner

Primary Examiner — Phillip S Hyder

(74) *Attorney, Agent, or Firm* — Mark V. Loen

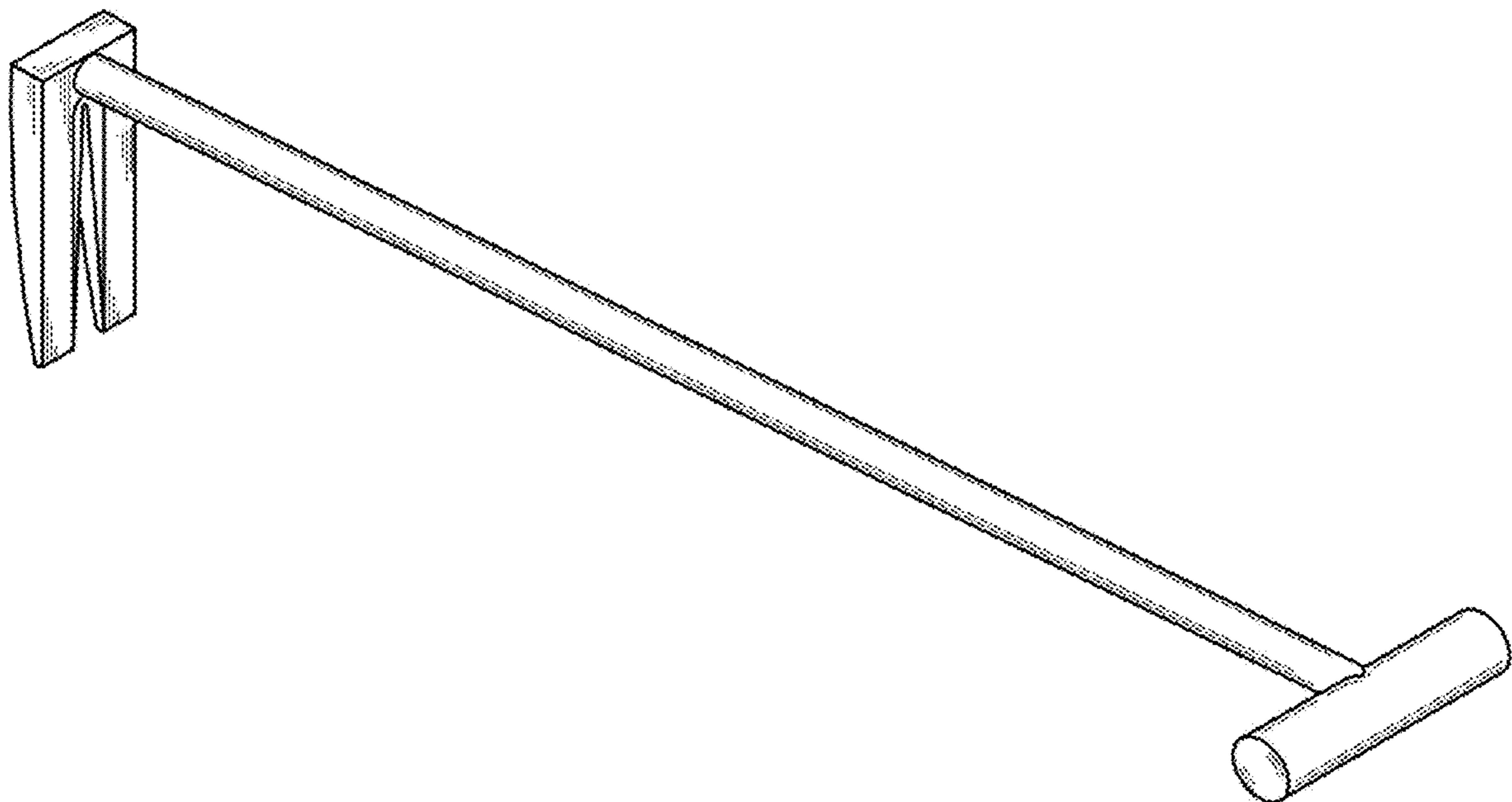
(57) **CLAIM**

The ornamental design for a fireman door hinge removal tool, as shown and described.

DESCRIPTION

FIG. 1 is a front view of a fireman door hinge removal tool; FIG. 2 is a back view of the fireman door hinge removal tool; FIG. 3 is a left side view of the fireman door hinge removal tool; FIG. 4 is a top view of the fireman door hinge removal tool; FIG. 5 is a right view of the fireman door hinge removal tool; FIG. 6 is a bottom view of the fireman door hinge removal tool; FIG. 7 is a perspective view of the fireman door hinge removal tool; and, FIG. 8 is a perspective view of the fireman door hinge removal tool in condition of use. The broken lines shown in FIG. 8 are for purposes of illustrating environmental structure associated with the claimed design in condition of use, and which forms no part of the claimed design.

1 Claim, 5 Drawing Sheets



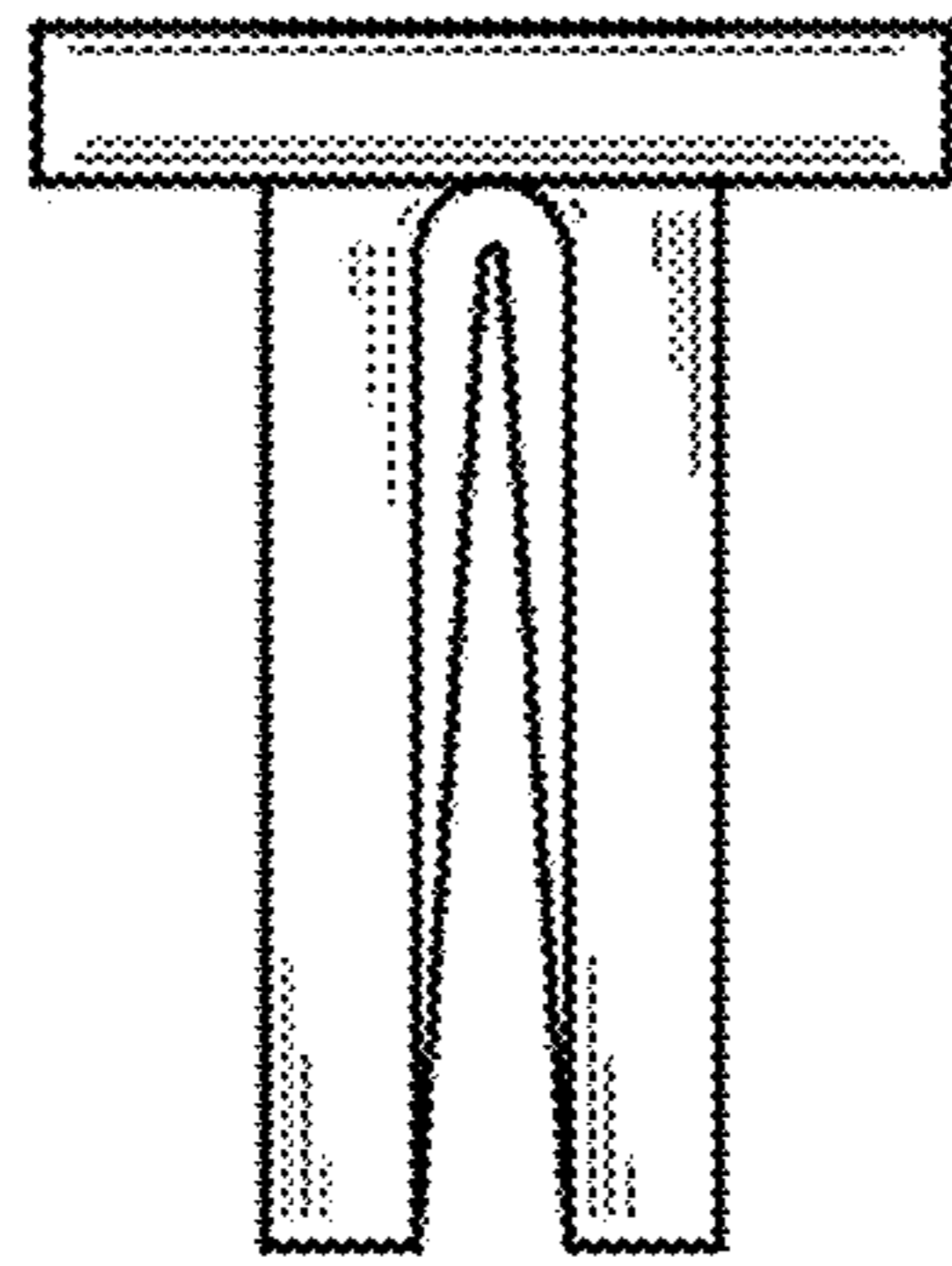


FIG. 1

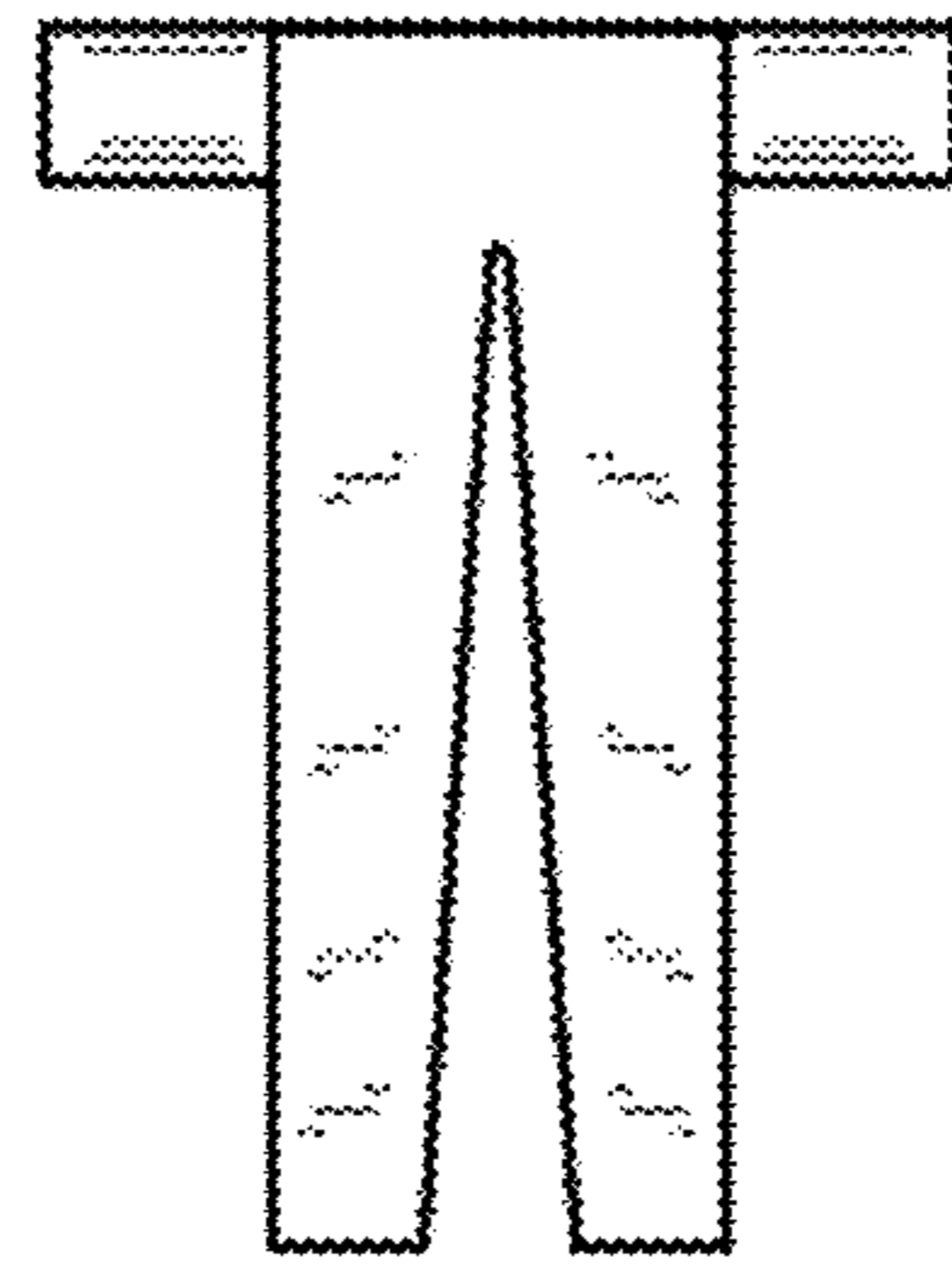


FIG. 2

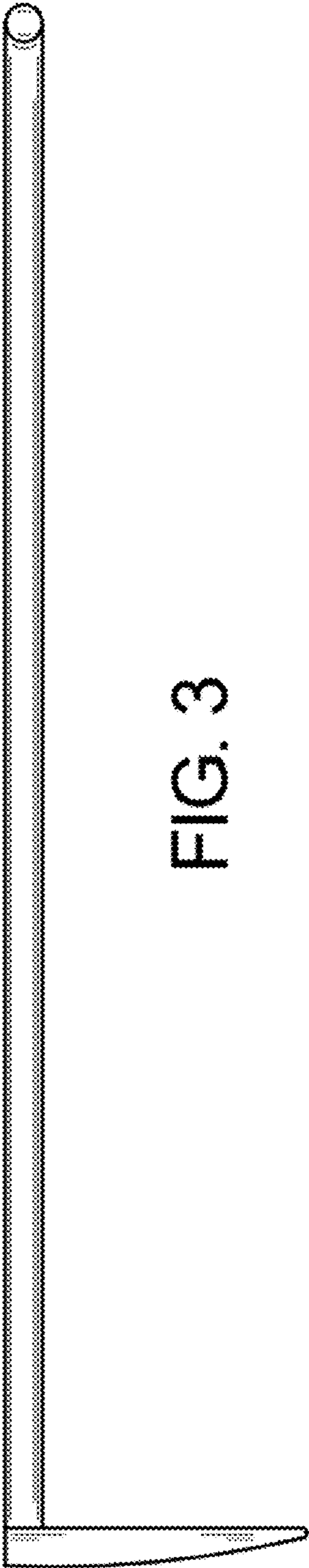


FIG. 3

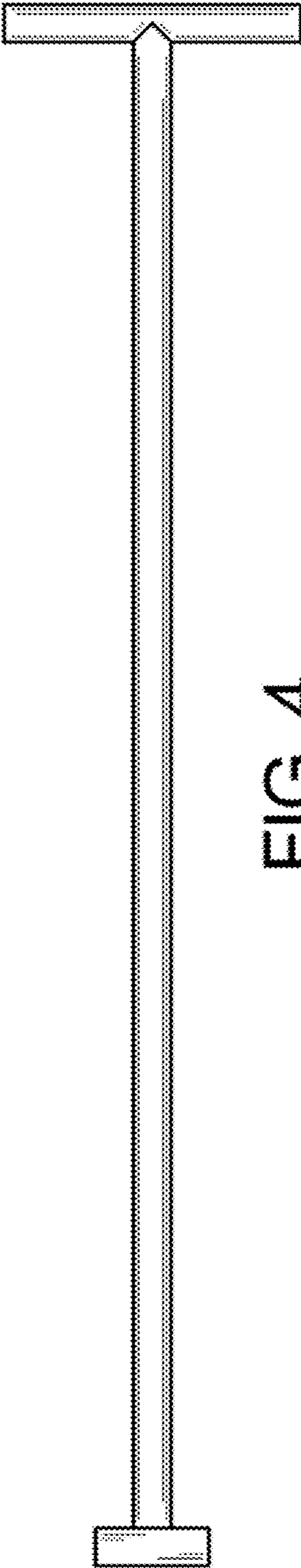


FIG. 4



FIG. 5

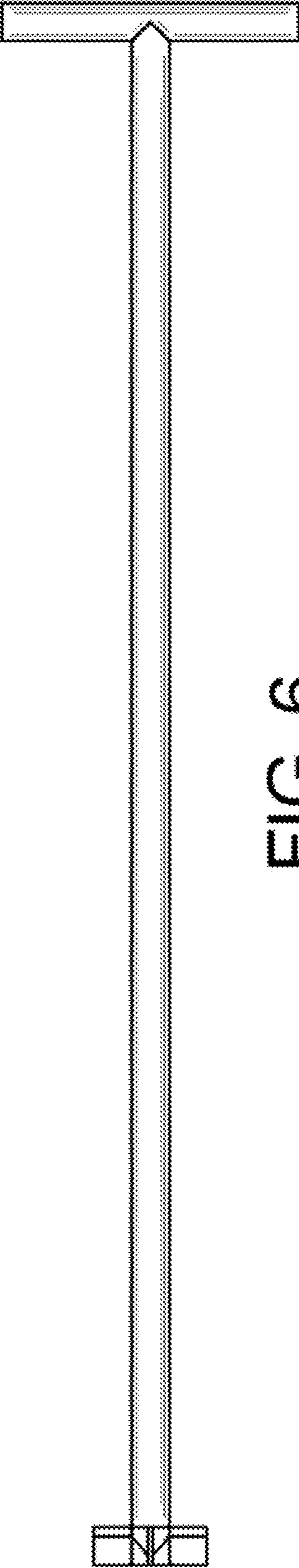


FIG. 6

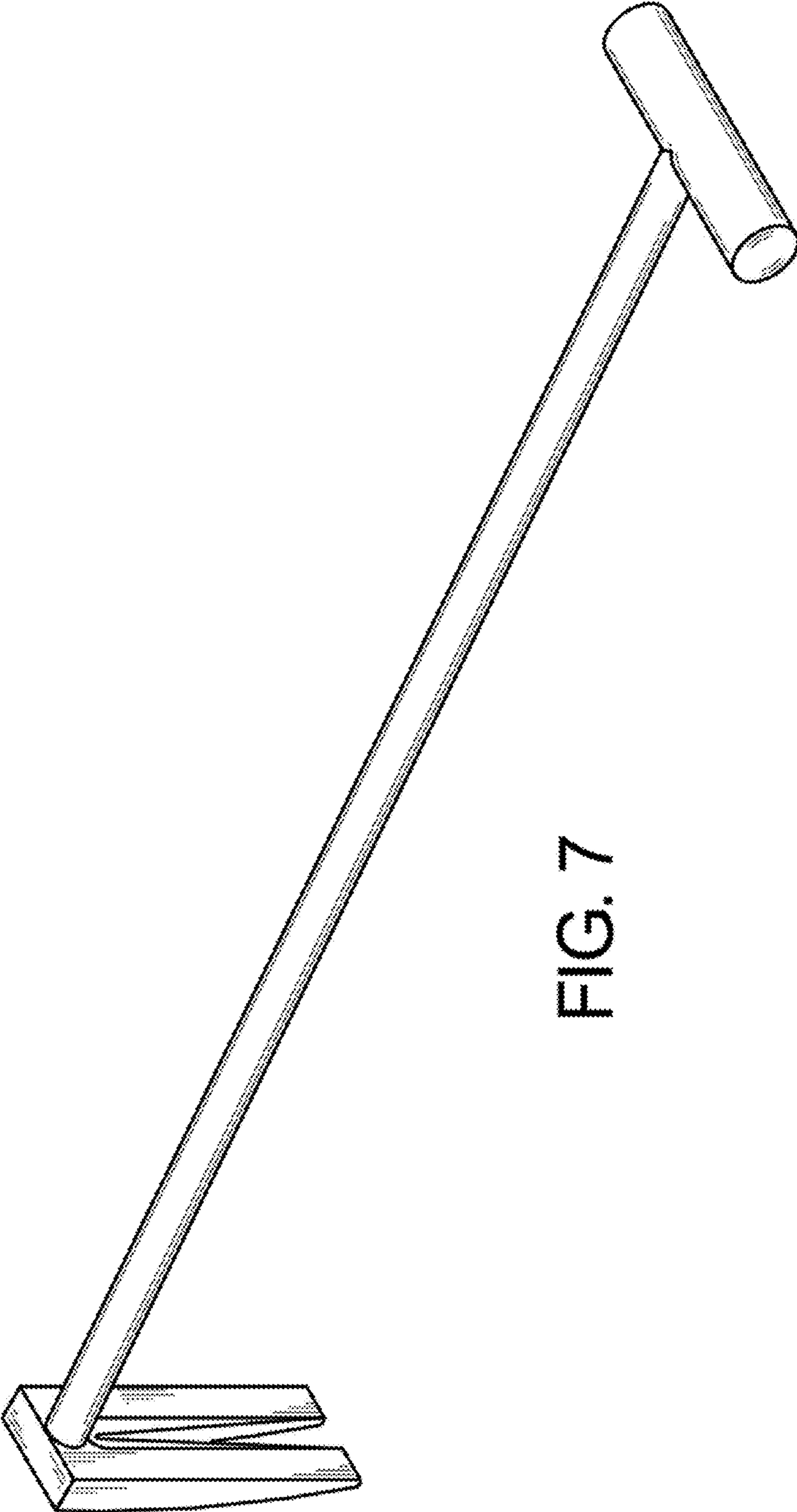


FIG. 7

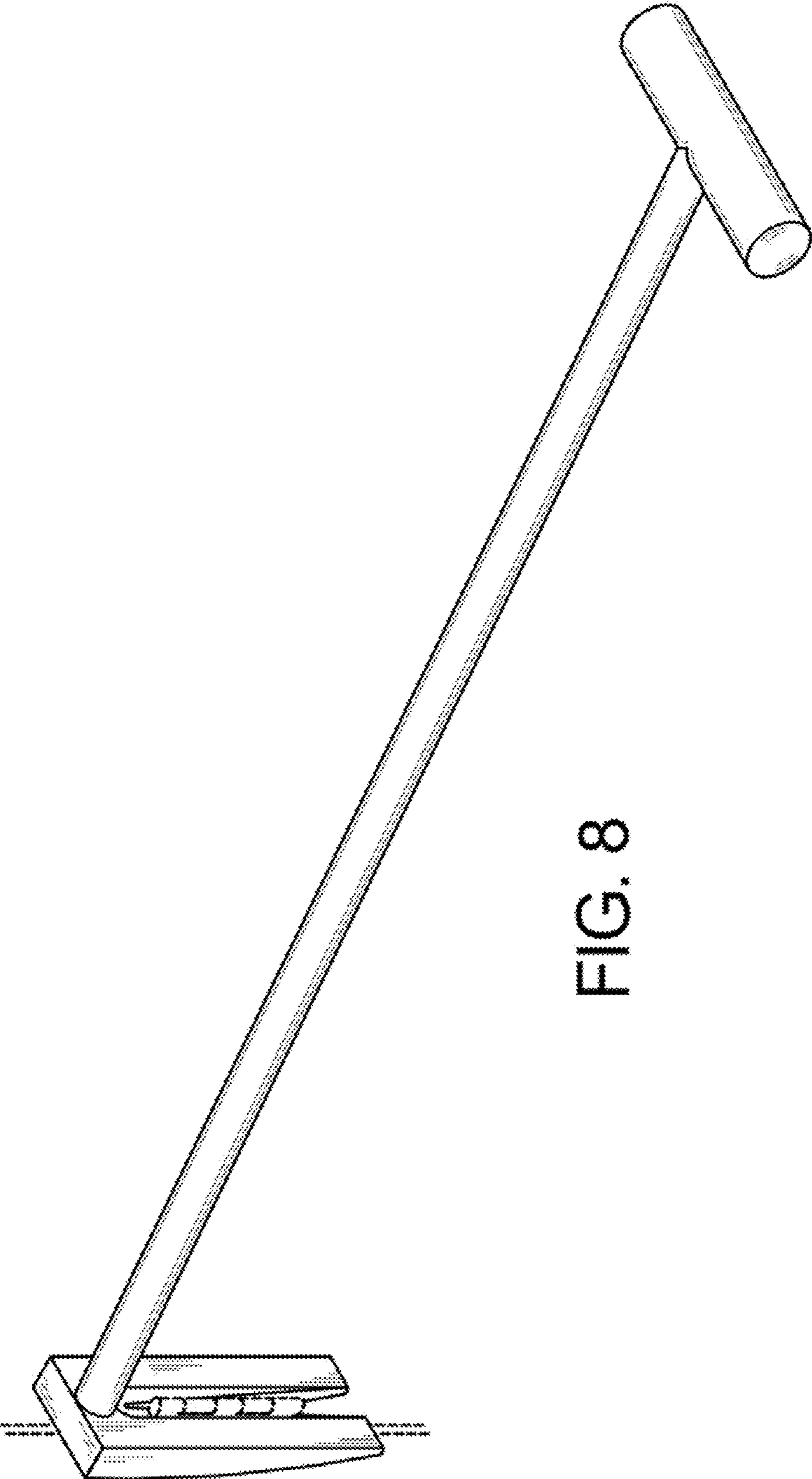


FIG. 8